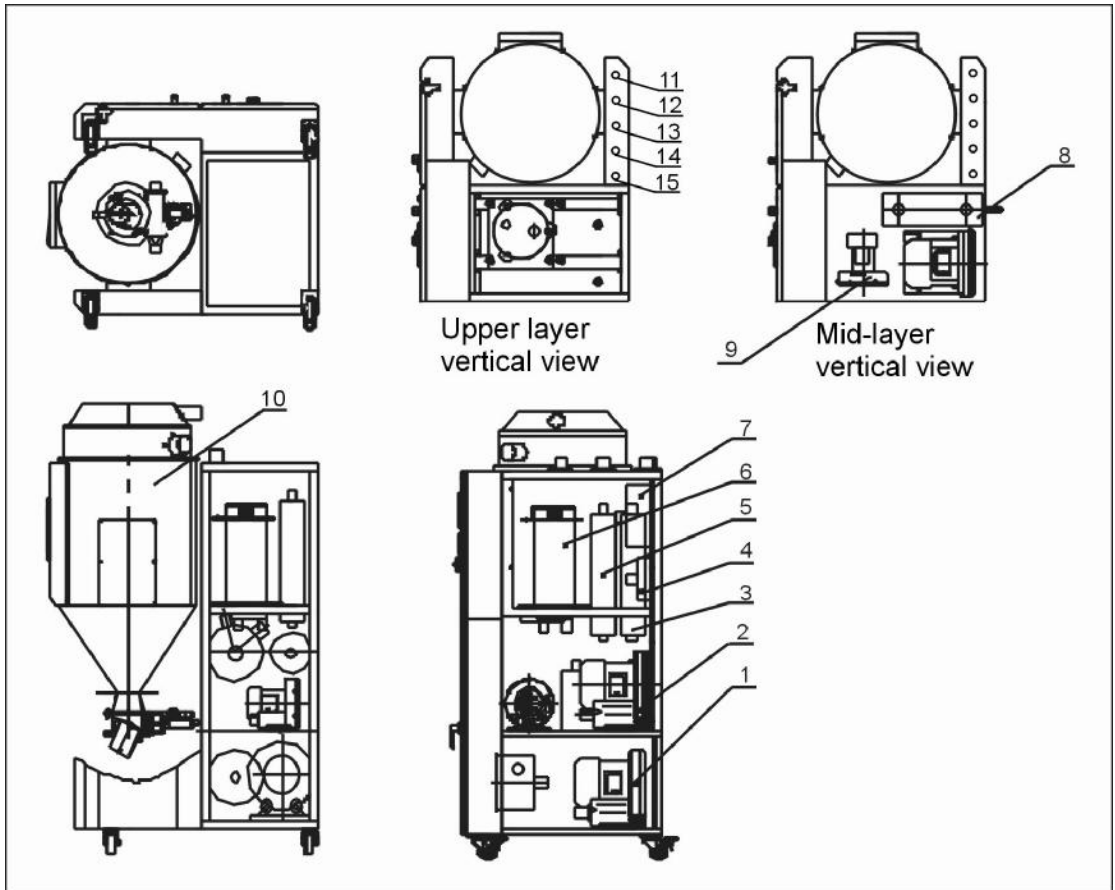


2.6 Drawing and Parts List

2.6.1 Structural Drawing

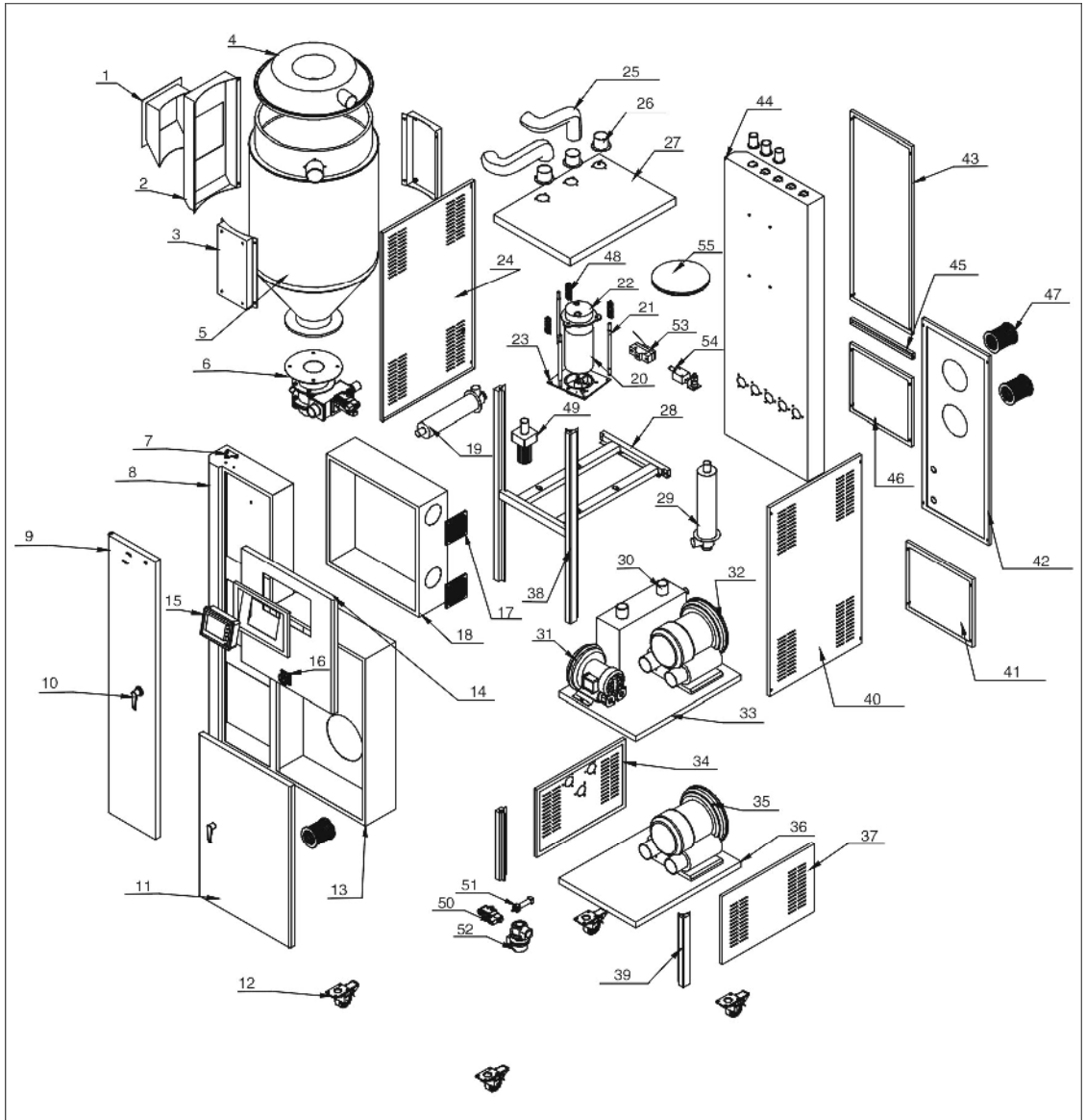


Names of Parts:

- | | | | |
|--|--|------------------------|----------------------|
| 1. Conveying blower | 2. Process blower | 3. Process heater | 4. Return-air filter |
| 5. Regenerating heater | 6. Honeycomb-rotor | 7. Regenerating filter | 8. After cooler |
| 9. Regenerating blower | 10. Drying hopper | 11. Material line | 12. Vacuum line 1 |
| 13. Vacuum line 2 | 14. Material line (option for three-stage conveying) | | |
| 15. Vacuum line (option for three-stage conveying) | | | |

Picture 2-4: Structural Drawing

2.6.2 Assembly Drawing (Fully-integral design)



Remarks: Please refer to material list 2.7.3 for specific explanation of the Arabic numbers in parts drawing.

Picture 2-5: Assembly Drawing (Fully-integral design)

2.6.3 Parts List (Fully-integral design)

Table 2-1: Parts List (Fully-integral design)(SCD-20U/30H~40U/50H)

No.	Description	Part No.		
		20U/30H	40U/30H	40U/50H
1	Sight-glass window	-	-	-
2	Sight-glass window retainer	-	-	-
3	Hopper fixing plate	-	-	-
4	Hopper top cover	-	-	-
5	Insulated hopper	-	-	-
6	Shut-off valve	BY10203800050	BY10203800050	BY10203800050
7	Locking pin assembly	-	-	-
8	Front door frame	-	-	-
9	Front door plate	-	-	-
10	Front door key	YW00717100000	YW00717100000	YW00717100000
11	Front door plate (left)	-	-	-
12	Castor	YW03000300200	YW03000300200	YW03000300200
		YW03000300000	YW03000300000	YW03000300000
13	Front plate (left)	-	-	-
14	Control box door	-	-	-
15	Touch screen	YE80350100000	YE80350100000	YE80350100000
16	Main switch*	YE10200300000	YE10200300000	YE10200300000
17	Exhaust fan**	YM60121200400	YM60121200400	YM60121200400
18	Control box	-	-	-
19	Process heater*	BH70400300050	BH70400300050	BH70803900050
20	Honeycomb	YW71152000100	YW71152000100	YW71182000100
21	Double-head screw	BH10533000010	BH10533000010	BH10533000010
22	Honeycomb upper cover	YA40003000100	YA40003000100	BA40508000130
23	Honeycomb bottom cover	YA40003000000	YA40003000000	BA40508000030
24	Right side plate	-	-	-
25	Heat-resistant tube**	YW72023600000	YW72023600000	YW72023600000
26	Flange	-	-	-
27	Top plate	-	-	-
28	Honeycomb mounting bracket	-	-	-
29	Regen. heater*	BH70300300050	BH70300300050	BH70500300050
30	Cooler	BW88030500020	BW88030500020	BW88030500020
31	Regen. blower*	BM30012500050	BM30012500050	BM30012500050
32	Process blower*	BM30012500050	BM30012500050	BM30020500050
33	Middle separating plate	-	-	-
34	Inner side plate	-	-	-

No.	Description	Part No.		
		20U/30H	40U/30H	40U/50H
35	Conveying blower*	BM30031000150	BM30031000150	BM30031000150
36	Bottom plate	-	-	-
37	Outer side plate	-	-	-
38	Pole A	-	-	-
39	Pole B	-	-	-
40	Right side plate	-	-	-
41	Rear plate at the bottom	-	-	-
42	Rear plate at the top	-	-	-
43	Rear plate cover	-	-	-
44	Rear plate	-	-	-
45	Rear plate bar	-	-	-
46	Rear plate lower cover	-	-	-
47	Filter **	YR50128300000	YR50128300000	YR50128300000
48	Spring	YW01201800000	YE14152400000	YE14152400000
49	Gear motor	YM50102600000	YM50102600000	YM50102600000
50	Solenoid valve *	YE32051800300	YE32051800300	YE32051800300
51	Cylinder	YE31255000000	YE31255000000	YE31255000000
52	Three-way valve	BY20001500050	BY20001500050	BY20001500050
53	Microswitch*	YE14152400000	YE14152400000	YE14152400000
54	Belt regulator	BH10005000040	BH10005000040	BH10005000040
55	Transmission belt **	YR00202200000	YR00202200000	YR00202500000

* means possible broken parts.

** means easy broken part. and spare backup is suggested.

Please confirm the version of manual before placing the purchase order to guarantee that the item number of the spare part is in accordance with the real object.

Table 2-2: Parts List (Fully-integral design)(SCD-80U/50H~160U/120H)

No.	Description	Part No.		
		80U/50H	120U/80H	160U/120H
1	Sight-glass window	-	-	-
2	Sight-glass window retainer	-	-	-
3	Hopper fixing plate	-	-	-
4	Hopper top cover	-	-	-
5	Insulated hopper	-	-	-
6	Shut-off valve	BY10163800250	BY10163800250	BY10163800250
7	Locking pin assembly	-	-	-
8	Front door frame	-	-	-
9	Front door plate	-	-	-
10	Front door key	YW00717100000	YW00717100000	YW00717100000
11	Front door plate (left)	-	-	-
12	Castor	YW03000300200	YW03000300200	YW03000300200
		YW03000300000	YW03000300000	YW03000300000
13	Front plate (left)	-	-	-
14	Control box door	-	-	-
15	Touch screen	YE80350100000	YE80350100000	YE80350100000
16	Main switch*	YE10200300000	YE10200300000	YE10200300000
17	Exhaust fan**	YM60121200400	YM60121200400	YM60121200400
18	Control box	-	-	-
19	Process heater*	BH70803900050	BH70160600150	BH70160600150
20	Honeycomb	YW71182000100	YW71183000100	YW71184000100
21	Double-head screw	BH10533000040	BH10543000040	BH10554500040
22	Honeycomb upper cover	BA40508000130	BA40508000130	BA40508000130
23	Honeycomb bottom cover	BA40508000030	BA40508000030	BA40508000130
24	Right side plate	-	-	-
25	Heat-resistant tube**	YW72023600000	YW72023600000	YW72023600000
26	Flange	-	-	-
27	Top plate	-	-	-
28	Honeycomb mounting bracket	-	-	-
29	Regen. heater*	BH70500300050	BH70800300050	BH70800300050
30	Cooler	BW88030500020	BW88030500020	BW88030500020
31	Regen. blower*	BM30012500050	BM30012500050	BM30012500050
32	Process blower*	BM30020500050	BM30031000150	BM30031000150
33	Middle separating plate	-	-	-
34	Inner side plate	-	-	-
35	Conveying blower*	BM30031000150	BM30031000150	BM30031000150

No.	Description	Part No.		
		80U/50H	120U/80H	160U/120H
36	Bottom plate	-	-	-
37	Outer side plate	-	-	-
38	Pole A	-	-	-
39	Pole B	-	-	-
40	Right side plate	-	-	-
41	Rear plate at the bottom	-	-	-
42	Rear plate at the top	-	-	-
43	Rear plate cover	-	-	-
44	Rear plate	-	-	-
45	Rear plate bar	-	-	-
46	Rear plate lower cover	-	-	-
47	Filter **	YR50708000100	YR50708000100	YR50708000100
48	Spring	YE14152400000	YE14152400000	YW01201800000
49	Gear motor	YM50102600000	YM50102600000	YM50102600000
50	Solenoid valve *	YE32051800300	YE32051800300	YE32051800300
51	Cylinder	YE31255000000	YE31255000000	YE31255000000
52	Three-way valve	BY20001500050	BY20001500050	BY20001500050
53	Microswitch*	YE14152400000	YE14152400000	YE14152400000
54	Belt regulator	BH10005000040	BH10005000040	BH10005000040
55	Transmission belt **	YR00202500000	YR00202500000	YR00202500000

* means possible broken parts.

** means easy broken part. and spare backup is suggested.

Please confirm the version of manual before placing the purchase order to guarantee that the item number of the spare part is in accordance with the real object.

Table 2-3: Parts List (Fully-integral design) (SCD-230U/120H~300U/150H)

No.	Description	Part No.		
		230U/120H	230U/150H	300U/150H
1	Sight-glass window	-	-	-
2	Sight-glass window retainer	-	-	-
3	Hopper fixing plate	-	-	-
4	Hopper top cover	-	-	-
5	Insulated hopper	-	-	-
6	Shut-off valve	-	-	-
7	Locking pin assembly	-	-	-
8	Front door frame	-	-	-
9	Front door plate	-	-	-
10	Front door key	YW00717100000	YW00717100000	YW00717100000
11	Front door plate (left)	-	-	-
12	Castor	YW03000300200	YW03000300200	YW03000300200
		YW03000300000	YW03000300000	YW03000300000
13	Front plate (left)	-	-	-
14	Control box door	-	-	-
15	Touch screen	YE80350100000	YE80350100000	YE80350100000
16	Main switch*	YE10220300000	YE10220300000	YE10220300000
17	Exhaust fan**	YM60121200400	YM60121200400	YM60121200400
18	Control box	BH36023000350	BH36231500150	BH36301500150
19	Process heater*	BH70160600150	BH70451200050	BH70451200050
20	Honeycomb	YW71184000100	YW71184000100	YW71184000100
21	Double-head screw	BH10554500010	BH10543000010	BH10543000010
22	Honeycomb upper cover	BA40508000130	BA40508000130	YA40152000100
23	Honeycomb bottom cover	BA40508000030	BA40508000130	YA40152000000
24	Right side plate	-	-	-
25	Heat-resistant tube**	YW72253600000	YW72253600000	YW72253600000
26	Flange	-	-	-
27	Top plate	-	-	-
28	Honeycomb mounting bracket	-	-	-
29	Regen. heater*	BH70800300050	BH70150400050	BH70150400050
30	Cooler	BW88081200020	BW88081200020	BW88152000020
31	Regen. blower*	BM30012500050	BM30020500050	BM30020500050
32	Process blower*	BM30031000150	BM30042000050	BM30042000050
33	Middle separating plate	-	-	-
34	Inner side plate	-	-	-
35	Conveying blower*	BM30042000050	BM30042000050	BM30042000050

No.	Description	Part No.		
		230U/120H	230U/150H	300U/150H
36	Bottom plate	-	-	-
37	Outer side plate	-	-	-
38	Pole A	-	-	-
39	Pole B	-	-	-
40	Right side plate	-	-	-
41	Rear plate at the bottom	-	-	-
42	Rear plate at the top	-	-	-
43	Rear plate cover	-	-	-
44	Rear plate	YM50616400100	YR50708000100	YM50616400100
45	Rear plate bar	YE32051800300	-	YE32051800300
46	Rear plate lower cover	YE31325000200	YE31325000200	YE31255000000
47	Filter **	YR50708000100	YR50708000100	YR50708000100
48	Spring	YE14152400000	YE31325000200	YE14152400000
49	Gear motor	YM50102600000	YM50102600000	YM50102600000
50	Solenoid valve *	YE32051800300	YE32051800300	YE32051800300
51	Cylinder	-	-	-
52	Three-way valve	-	-	-
53	Microswitch*	YE14152400000	YE14152400000	YE14152400000
54	Belt regulator	-	-	-
55	Transmission belt **	YR00202500000	YR00203400000	YR00203400000

* means possible broken parts.

** means easy broken part. and spare backup is suggested.

Please confirm the version of manual before placing the purchase order to guarantee that the item number of the spare part is in accordance with the real object.

Table 2-4: Parts List (Fully-integral design) (SCD-300U/200H~450U/200H)

No.	Description	Part No.	
		300U/200H	450U/200H
1	Sight-glass window	-	-
2	Sight-glass window retainer	-	-
3	Hopper fixing plate	-	-
4	Hopper top cover	-	-
5	Insulated hopper	-	-
6	Shut-off valve	-	-
7	Locking pin assembly	-	-
8	Front door frame	-	-
9	Front door plate	-	-
10	Front door key	YW00717100000	YW00717100000
11	Front door plate (left)	-	-
12	Castor	YW03000300200	YW03000300200
		YW03000300000	YW03000300000
13	Front plate (left)	-	-
14	Control box door	-	-
15	Touch screen	YE80350100000	YE80350100000
16	Main switch*	YE10220300000	YE10220300000
17	Exhaust fan**	YM60121200400	YM60121200400
18	Control box	BH36302000150	BH36452000150
19	Process heater*	BH70451200050	BH70451200050
20	Honeycomb	YW71184000100	YW71184000100
21	Double-head screw	BH10554500010	BH10554500010
22	Honeycomb upper cover	YA40152000100	YA40152000100
23	Honeycomb bottom cover	YA40152000000	YA40152000000
24	Right side plate	-	-
25	Heat-resistant tube**	YW72253600000	YW72253600000
26	Flange	-	-
27	Top plate	-	-
28	Honeycomb mounting bracket	-	-
29	Regen. heater*	BH70150400050	BH70150400050
30	Cooler	BW88152000020	BW88152000020
31	Regen. blower*	BM30020500050	BM30020500050
32	Process blower*	BM30042000050	BM30042000050
33	Middle separating plate	-	-
34	Inner side plate	-	-
35	Conveying blower*	BM30042000050	BM30042000050
36	Bottom plate	-	-

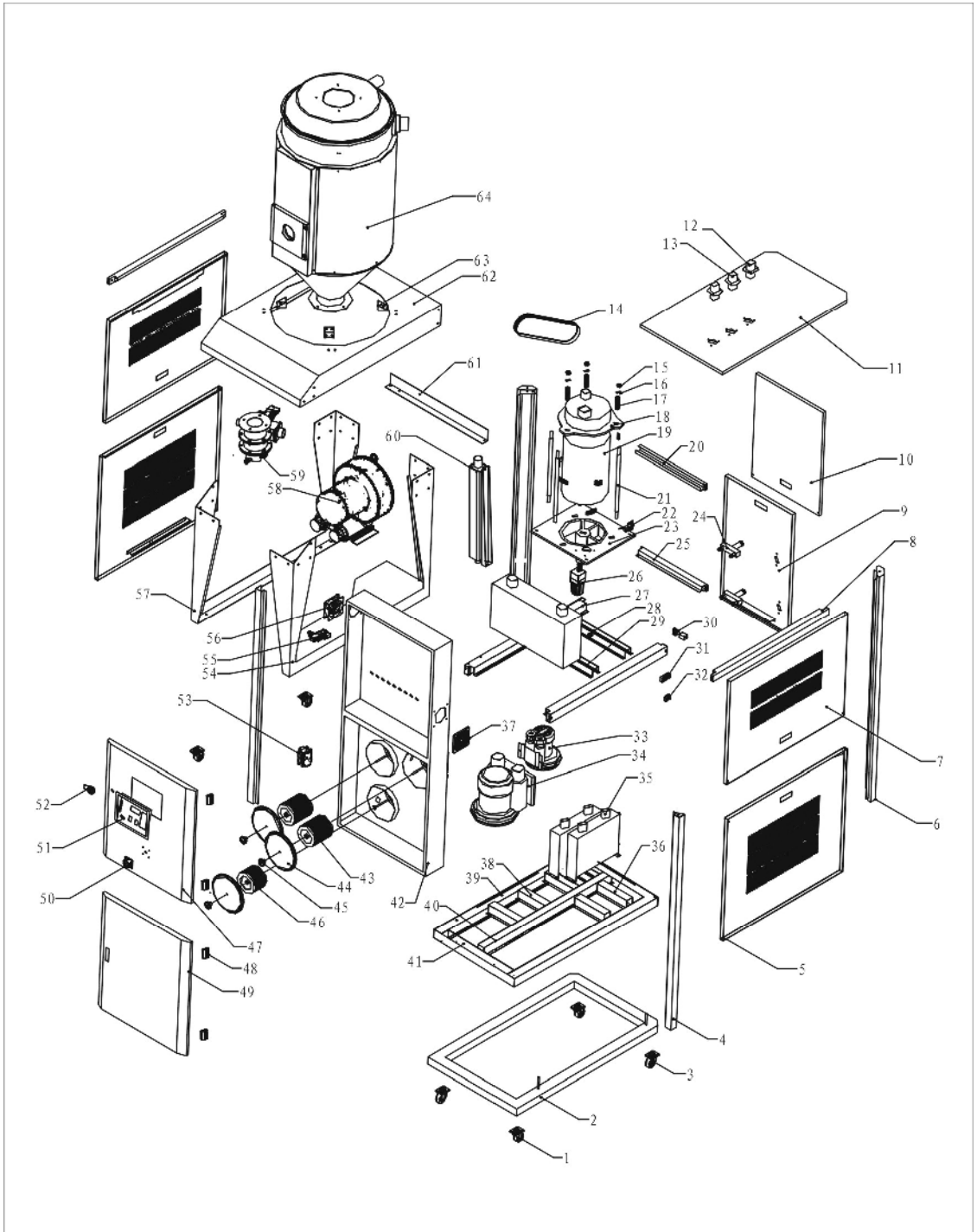
No.	Description	Part No.	
		300U/200H	450U/200H
37	Outer side plate	-	-
38	Pole A	-	-
39	Pole B	-	-
40	Right side plate	-	-
41	Rear plate at the bottom	-	-
42	Rear plate at the top	-	-
43	Rear plate cover	-	-
44	Rear plate	YM50616400100	-
45	Rear plate bar	YE32051800300	-
46	Rear plate lower cover	YE31325000200	-
47	Filter **	YR50708000100	YR50181100000
48	Spring	YE14152400000	YW01201800000
49	Gear motor	YM50102600000	YM50102600000
50	Solenoid valve *	YE32051800300	YE32051800300
51	Cylinder	-	-
52	Three-way valve	-	-
53	Microswitch*	YE14152400000	YE14152400000
54	Belt regulator	-	-
55	Transmission belt **	YR00203400000	YR00203400000

* means possible broken parts.

** means easy broken part. and spare backup is suggested.

Please confirm the version of manual before placing the purchase order to guarantee that the item number of the spare part is in accordance with the real object.

2.6.4 Assembly Drawing (Semi-integral design)



Remarks: Please refer to material list 2.7.5 for specific explanation of the Arabic numbers in parts drawing.

Picture 2-6: Assembly Drawing (Semi-integral design)

2.6.5 Parts List (Semi-integral Design)

Table 2-5: Parts List (Semi-integral Design)(SCD-450U/300H~750U/400H)

No.	Description	Part No.			
		450U/300H	600U/300H	600U/400H	750U/400H
1	Castor	YW03000400200	YW03000400200	YW03000400200	YW03000400200
2	Base frame welding ring	-	-	-	-
3	Castor brake	YW03000400000	YW03000400000	YW03000400000	YW03000400000
4	Front pole	-	-	-	-
5	Right lower side plate	-	-	-	-
6	Rear pole	-	-	-	-
7	Upper side plate	-	-	-	-
8	Side fixing beam	-	-	-	-
9	Rear bottom plate	-	-	-	-
10	Rear top plate	-	-	-	-
11	Cover board	-	-	-	-
12	Moisture outlet flange	-	-	-	-
13	Air outlet flange	-	-	-	-
14	Transmission belt**	YR00204700000	YR00204700000	YR00204700000	YR00204700000
15	M16 Screw	YW64001600000	YW64001600000	YW64001600000	YW64001600000
16	Washer	YW66163000000	YW66163000000	YW66163000000	YW66163000000
17	Spring	YW01180300000	YW01180300000	YW01180300000	YW01180300000
18	Honeycomb upper cover	BA40304000110	BA40304000110	BA40304000110	BA40304000110
19	Honeycomb	YW71353000100	YW71353000100	YW71353000100	YW71353000100
20	Rear fixing beam	-	-	-	-
21	Two-head screw	BH10543000010	BH10543000010	BH1054500010	BH10554500010
22	Microswitch*	YE14152400000	YE14152400000	YE14152400000	YE14152400000
23	Honeycomb bottom cover	BA40304000010	BA40304000010	BA40304000010	BA40304000010
24	Water distributor	-	-	-	-
25	Rear middle beam	-	-	-	-
26	Gear motor	YM50512600000	YM50512600000	YM50512600000	YM50512600000
27	Side middle beam	-	-	-	-
28	Rear middle beam	-	-	-	-
29	Front middle beam	-	-	-	-
30	Belt regulator pad	BH10005000040	BH10005000040	BH10005000040	BH10005000040
31	Terminal block	YE61250040000	YE61250040000	YE61250040000	YE61250040000
32	Capacitor	YE25001500000	YE25001500000	YE25001500000	YE25001500000
33	Motor*	BM30031000150	BM30042000050	BM30042000050	BM30042000050
34	Blower*	BM30053500050	YM30052900000	YM30062900000	YM30062900000

No.	Description	Part No.			
		450U/300H	600U/300H	600U/400H	750U/400H
35	Cooler	BW88304000020	BW88304000020	BW88304000020	BW88304000020
36	Regenerated fan fixed beam	-	-	-	-
37	Cooler *	YR40120300000	YR40120300000	YR40120300000	YR40120300000
38	Fixed beam of cooler	-	-	-	-
39	Erect beam of base frame	-	-	-	-
40	Bottom mounting beam	-	-	-	-
41	Cross-beam of base frame	-	-	-	-
42	Control trunk	BH36300200050	BH36603000150	BH36604000050	BH36754000050
43	Filter**	YR50203000000	YR50203000000	YR50203000000	YR50203000000
44	Filter cover	-	-	-	-
45	Butterfly nut	YW09051600000	YW09051600000	YW09051600000	YW09000600000
46	Filter**	YR50708000100	YR50708000100	YR50708000100	YR50708000100
47	Upper door plate	-	-	-	-
48	Hinge	YW06203100200	YW06203100200	YW06203100200	YW06203100200
49	Bottom door plate	-	-	-	-
50	Door interlock switch	YE40635000000	YE40635000000	YE40636300000	YE40636300000
51	Control panel	YR01008000100	YR01008000100	YR01008000100	YR01008000100
52	Short door bolt	YW00000600000	YW00000600000	YW00000600000	YW00000600000
53	Pipe connector	YR10001500100	YR10001500100	YR10001500100	YR10001500100
54	Right fixed leg	-	-	-	-
55	Solenoid valve*	YE32051800300	YE32051800300	YE32051800300	YE32051800300
56	Exhaust heater**	YM60121200400	YM60121200400	YM60121200400	YM60121200400
57	Left fixed leg	-	-	-	-
58	Feeding fan *	BM30031000150	BM30031000150	BM30031000150	BM30031000150
59	EURO-material absorption box	BY10163801150	BY10163801150	BY10163801150	BY10163801150
60	Regenerated heater*	BH70307200250	BH70407200050	BH70307200250	BH70407200050
61	Leg reinforcement beam	-	-	-	-
62	Cover board of housing	-	-	-	-
63	Outer fixer	-	-	-	-
64	Dry hopper drum	-	-	-	-

* means possible broken parts.

** means easy broken part. and spare backup is suggested.

Please confirm the version of manual before placing the purchase order to guarantee that the item number of the spare part is in accordance with the real object.

Table 2-6: Parts List (Semi-integral Design) (SCD-900U/700H~1200U/700H)

No.	Description	Part No.	
		900U/700H	1200U/700H
1	Castor	YW03000400200	YW03000400200
2	Base frame welding ring	-	-
3	Castor brake	YW03000400000	YW03000400000
4	Front pole	-	-
5	Right lower side plate	-	-
6	Rear pole	-	-
7	Upper side plate	-	-
8	Side fixing beam	-	-
9	Rear bottom plate	-	-
10	Rear top plate	-	-
11	Cover board	-	-
12	Moisture outlet flange	-	-
13	Air outlet flange	-	-
14	Transmission belt**	YR00205800000	YR00205800000
15	M16 Screw	-	-
16	Washer	-	-
17	Spring	YW01180300000	YW01180300000
18	Honeycomb upper cover	BA40304000110	BA40304000110
19	Honeycomb	YW71444000100	YW71444000000
20	Rear fixing beam	-	-
21	Two-head screw	BH10554500010	BH10554500010
22	Microswitch*	YE14152400000	YE14152400000
23	Honeycomb bottom cover	BA40507000010	BA40507000010
24	Water distributor	-	-
25	Rear middle beam	-	-
26	Gear motor	YM50512600000	YM50512600000
27	Side middle beam	-	-
28	Rear middle beam	-	-
29	Front middle beam	-	-
30	Belt regulator pad	BH10005000040	BH10005000040
31	Terminal block	YE61250040000	YE61250040000
32	Capacitor	YE25001500000	YE25001500000
33	Motor*	BM30042000050	BM30042000050
34	Blower*	YM30072900000	YM30072900000
35	Cooler	YR30010400000	YR30010400000
36	Regenerated fan fixed beam	-	-
37	Cooler *	YR40120300000	YR40120300000

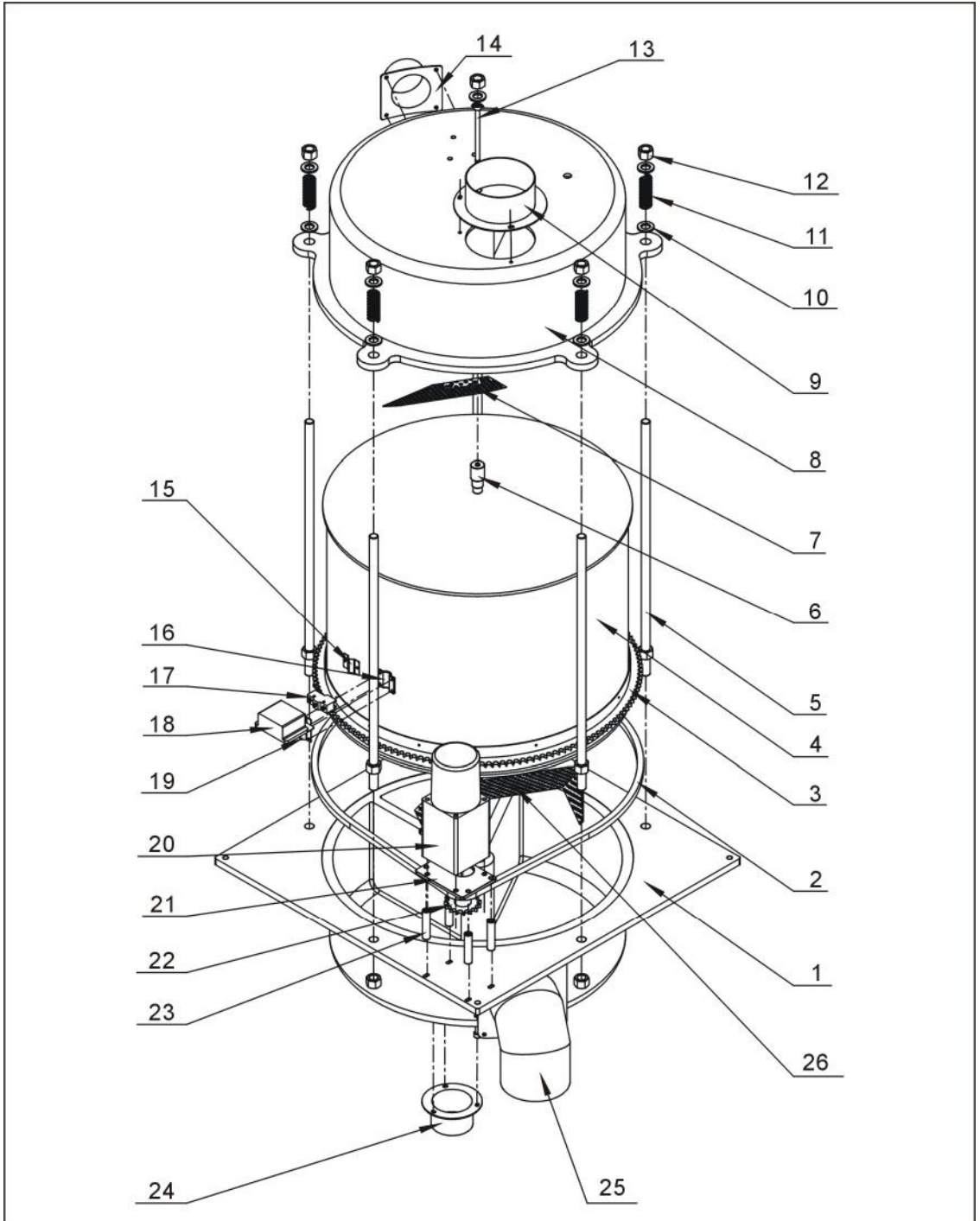
No.	Description	Part No.	
		900U/700H	1200U/700H
38	Fixed beam of cooler	-	-
39	Erect beam of base frame	-	-
40	Bottom mounting beam	-	-
41	Cross-beam of base frame	-	-
42	Control trunk	BH36900700050	BH36120000350
43	Filter**	YW72253600000	YW72253600000
44	Filter cover	-	-
45	Butterfly nut	YW09051600000	YW09051600000
46	Filter**	YR50708000100	YR50708000100
47	Upper door plate	-	-
48	Hinge	YW06203100200	YW06203100200
49	Bottom door plate	-	-
50	Door interlock switch	YE40601500000	YE40601500000
51	Control panel	YR01008000100	YR01008000100
52	Short door bolt	YW00000600000	YW00000600000
53	Pipe connector	YR10002000100	YR10002000100
54	Right fixed leg	-	-
55	Solenoid valve*	YE32051800300	YE32051800300
56	Exhaust heater**	YM60121200400	YM60121200400
57	Left fixed leg	-	-
58	Feeding fan *	BM30053500050	BM30053500050
59	EURO-material absorption box	BY10163801150	BY10163801150
60	Regenerated heater*	BH70501000050	BH70501000050
61	Leg reinforcement beam	-	-
62	Cover board of housing	-	-
63	Outer fixer	-	-
64	Dry hopper drum	-	-

* means possible broken parts.

** means easy broken part. and spare backup is suggested.

Please confirm the version of manual before placing the purchase order to guarantee that the item number of the spare part is in accordance with the real object.

2.6.8 Honeycomb



Picture 2-9: Standard Configured Honeycomb Parts Drawing (SCD-900U/700H 1200U/700H)

2.6.9 Parts List of Standard Configured Honeycomb (SCD-900U/700H
1200U/700H)

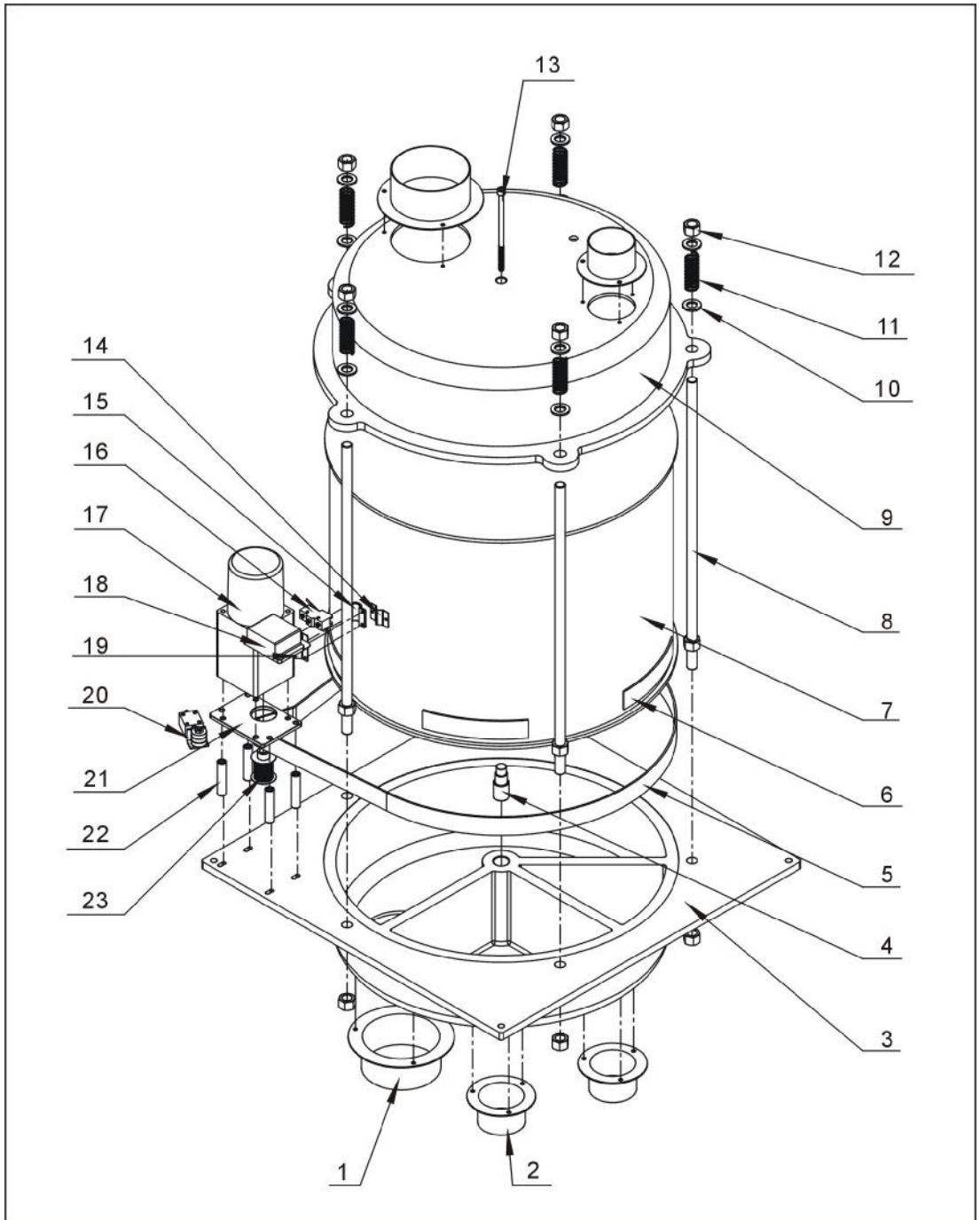
Table 2-7: Parts List

No.	Description	Part No.	No.	Description	Part No.
1	Lower cover	-	14	2.5" honeycomb flange	-
2	Roller chain	YW09812400000	15	Honeycomb stator	-
3	Driven sprocket	-	16	Microswitch stator	-
4	Honeycomb	YW71440400000	17	Micrswitch	YE14152400000
5	Double-end screw	BH10554500040	18	Micrswitch box	-
6	Honeycomb shaft	-	19	Micrswitch stator 2	-
7	Regeneration scattered wind plate	-	20	Gear motor	YM50313100000
8	Upper cover	-	21	Mounting plate of gear motor	-
9	4" honeycomb flange	-	22	Drive sprocket	-
10	Flat washer 16	-	23	Locating tube	-
11	Spring	YW01201800000	24	2.5" honeycomb flange	-
12	Hex nut M16	-	25	4" honeycomb flange	-
13	Hexgon socket head cap screw M8	-	26	Drying scattered wind plate	-

* means possible broken parts.

** means easy broken part. and spare backup is suggested.

Please confirm the version of manual before placing the purchase order to guarantee that the item number of the spare part is in accordance with the real object.



Picture 2-10: Optional Honeycomb (dew-point: -50°C) Parts Drawing
(SCD-900U/700H 1200U/700H)

2.6.10 Parts List of Optional Honeycomb (dew-point: -50°C)
(SCD-900U/700H 1200U/700H)

Table 2-8: Parts List

No.	Description	Part No.	No.	Description	Part No.
1	4" Honeycom flange	-	13	Hexgon socket head cap screw M8	-
2	2.5" honeycomb flange	-	14	Honeycomb stator	-
3	Lower cover	-	15	Microswitch stator	-
4	Honeycomb shaft	-	16	Microswitch	YE14152400000
5	Synchronous belt	YR00305800000	17	Gear motor	YM50512600000
6	Synchronous pulley	YR00003000000	18	Microswitch box	-
7	Honeycomb	YW71440400000	19	Microswitch stator 2	-
8	Double-end screw	BH10554500040	20	Belt adjustor	-
9	Upper cover	-	21	Mounting plate of gear motor	-
10	Flat washer 16	-	22	Locating tube	-
11	Spring	YW01201800000	23	Synchronous pulley	-
12	Hex nut M16	-			

* means possible broken parts.

** means easy broken part. and spare backup is suggested.

Please confirm the version of manual before placing the purchase order to guarantee that the item number of the spare part is in accordance with the real object.