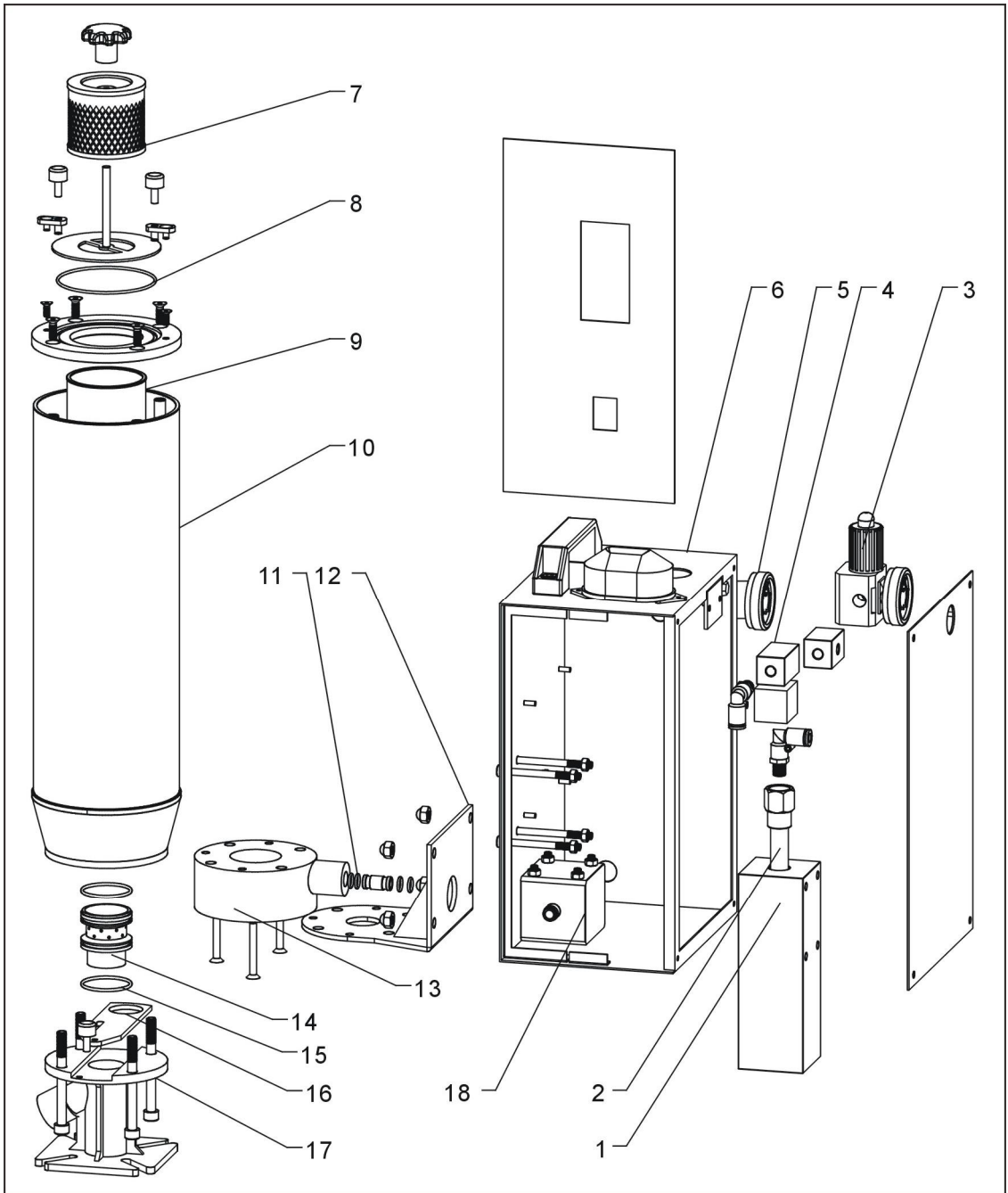


2.2 Drawing and Parts List

2.2.1 Assembly Drawing (SCAD-6U and Models Below)



Remarks: Please refer to material list 2.2.2 for specific explanation of the Arabic numbers in parts drawing.

Picture 2-3: Assembly Drawing (SCAD-6U and Models Below)

2.2.2 Parts List (SCAD-6U and Models Below)

Table 2-1: Parts List (SCAD-6U and Models Below)

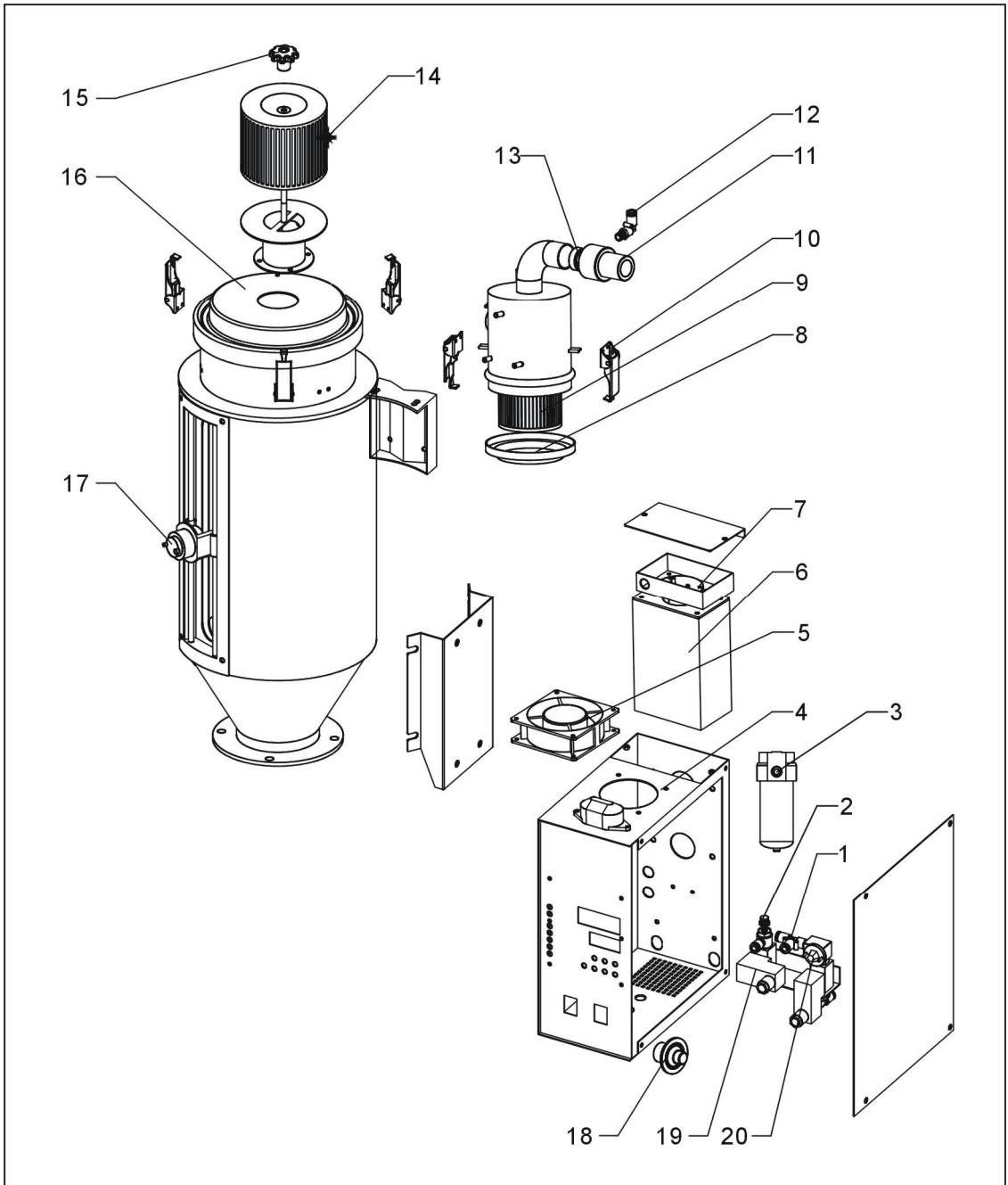
No.	Name	Part No.		
		SCAD-1U	SCAD-3U	SCAD-6U
1	Heating case	-	-	-
2	Pipe heater**	BH40108000050	BH40108000050	BH40108000050
3	Pressure regulating valve GR-200-06*	YE30200060000	YE30200060000	YE30200060000
4	Solenoid valve *	YE32331000000	YE32331000000	YE32331000000
5	Pressure switch	YE15200500000	YE15200500000	YE15200500000
6	Control box	-	-	-
7	Filter **	YR50880700000	YR50880700000	YR50956000000
8	O type seal ring *	YR20258900000	YR20259800000	YR20125300100
9	Inside glass tube **	YW70765300000	YW70110500000	YW70130125000
10	Outside glass tube **	YW70132500000	YW70150450000	YW70180175000
11	O type seal ring *	YR20101800000	YR20101800000	YR20101800000
12	Fixed board of control box	-	-	-
13	Hopper base	-	-	-
14	Inner sleeve of the hopper	-	-	-
15	O type seal ring *	YR20412200000	YR20412200000	YR20412200000
16	Shut-off plate	-	-	-
17	Base	-	-	-
18	Heating case 2	-	-	-

* means possible broken parts.

** means easy broken part. and spare backup is suggested.

Please confirm the version of manual before placing the purchase order to guarantee that the item number of the spare part is in accordance with the real object.

2.2.3 Assembly Drawing (SCAD-12U and Models Above)



Remarks: Please refer to material list 2.2.4 for specific explanation of the Arabic numbers in parts drawing.

Picture 2-3: Assembly Drawing (SCAD-12U and Models Above)

2.2.4 Parts List (SCAD-12U and Models Above)

Table 2-2: Parts List (SCAD-12U and Models Above)

No.	Name	Part No.	
		SCAD-12U	SCAD-20U
1	Connection- T thread joint	YW80803800000	YW80803800000
2	Adjustable air pipe coupling	YW80083800000	YW80083800000
3	Filter & pressure regulating valve*	YE30200020000	YE30200020000
4	Control box	-	-
5	Exhaust fan *	YM60922500100	YM60922500100
6	Heating case	-	-
7	Pipe heater **	BH70122060050	BH70122060050
8	Filtering barrel lid	-	-
9	Filter ADC27**	YR50956000000	YR50956000000
10	Snap hook	YW02003000400	YW02003000400
11	Return air pipe coupling	-	-
12	L type thread joint	YW80083800200	YW80083800200
13	Material pipe coupling 1	-	-
14	Filter ADC18**	YR50128300100	YR50128300100
15	Star screw cap 5/16	YW09051600000	YW09051600000
16	material storage tank components	-	-
17	level sensor *	YE15002000000	YE15002000000
18	EGO*	BH90115000150	BH90115000150
19	solenoid valve *	YE32331000000	YE32331000000
20	pressure switch *	YE15015000000	YE15015000000

* means possible broken parts.

** means easy broken part. and spare backup is suggested.

Please confirm the version of manual before placing the purchase order to guarantee that the item number of the spare part is in accordance with the real object.