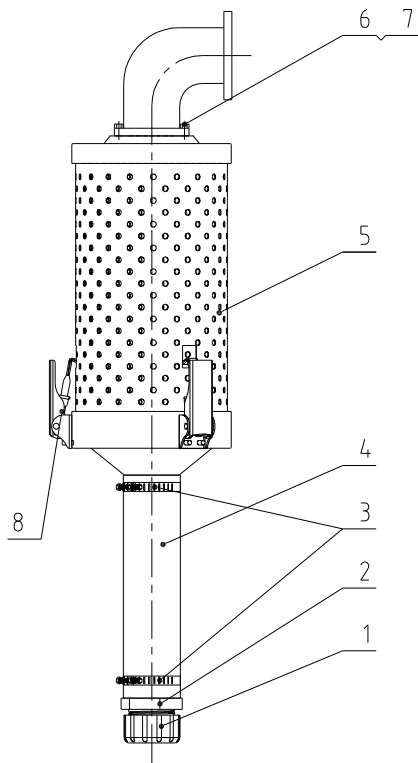


48	YR20060402000	Sealing silicone strip 6x4SHD-12EB (longfeng)	silical gel	1	1.03M	1	YW20001201800	Exhaust air pipe SHD-12E-A-04 drawing ver 0 Longfeng	AC4B	1
47	YW09001201200	3-way pipe tower cover SHD-12E-A-11 drawing ver 0 has mould	SPCC10	1						

Blower Power		Pipe Heater Power	Hopper Capacity	Machine Version
50Hz:0.1kW	60Hz:0.125kW	2.2kW	12kg	Ver.C

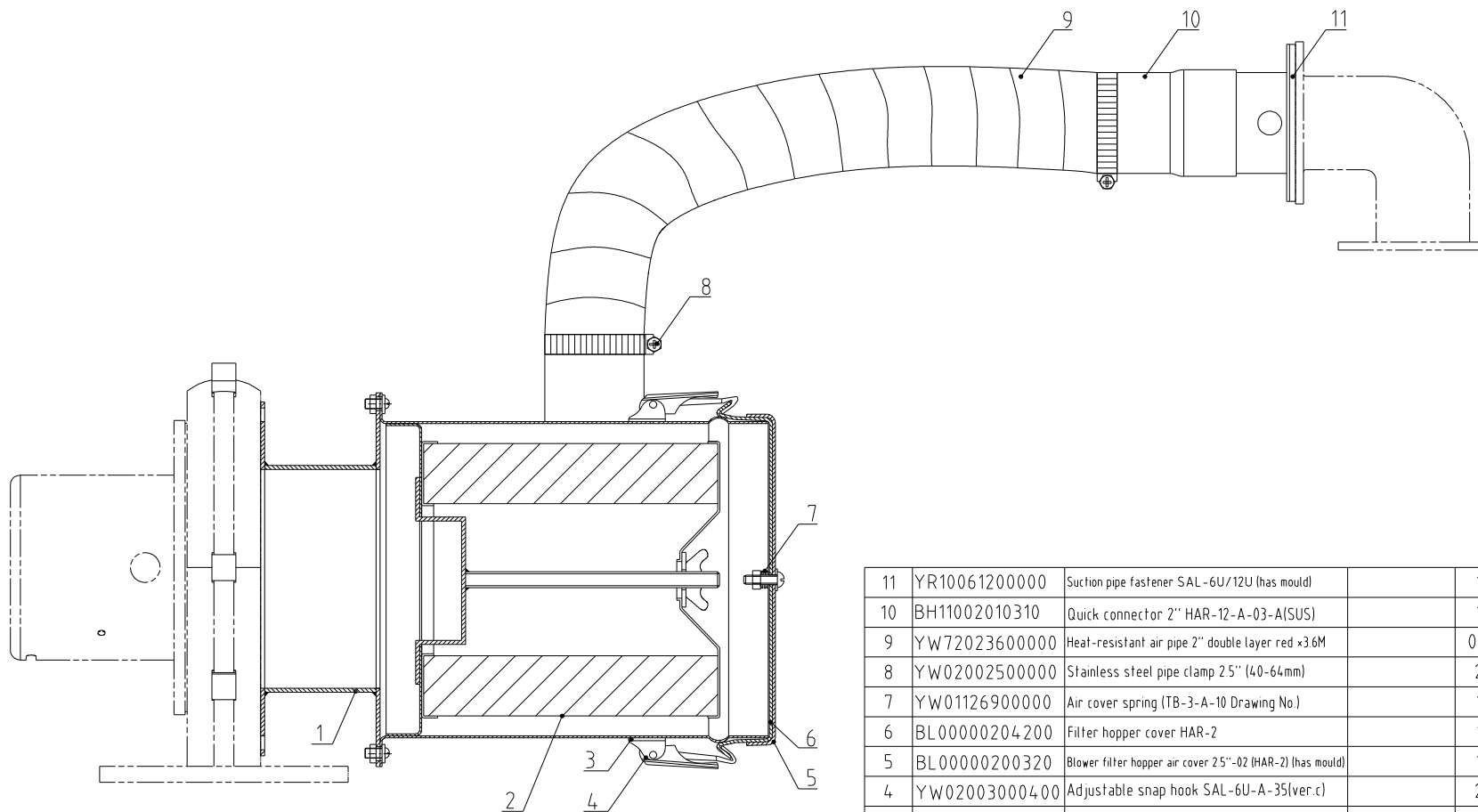
46	YE60122000100	High-grade plastic coated metal hose φ120(φ132mm) Two ends are connected with zinc alloy outer wire M20x15		Assembly	1
45	BH70120300150	Pipe heater SEHDISHD1-12-2 2KW/3φ 4.00V		Assembly	1
44	YE90055501300	Thermocouple 5-SS+M8+1M(SHD-40U-A-24 ver.0)		Assembly	1
43	YL01121500100	Pipe heater SHD-12E-A-09 drawing ver 0 Longfeng		Welding parts	1
42	YW60082000200	Hex bolt GB/T5783 M8x20-8.8-Longzine			4
41	YW90001200200	Hopper hinge SHD-12E-A-08 drawing ver 0 Longfeng		Assembly	1
40	YR10002500100	Cover fastener SHD-25 white silical gel (has mould)	White silica gel		1
39	YW90001202800	Hopper cover SHD-12E-A-05 drawing ver 0 Longfeng		SPCC10	1
38	YW62061000000	Large cross recessed flat head screw J51111 M6x10-Longzine			3
37	BL01121400120	Handle hook SHD-12E-A-14 drawing ver 0 has mould		SUS201	1
36	YW60083000200	Hex bolt GB/T5783 M8x30-8.8-Longzine			4
35	BW09202000000	Square plate SEHD-100-A-09 (ver.0) (has mould)		SPCC10	1
34	YW67030800000	Cross recessed pan head self-tapping set screw GB6560 M3x8 Longzine			2
33	BE85018000350	Thermal protector K388 centrifugal (wire 8 SH) (Thermal protection normally open) (has rubber steel)		Assembly	1
32	YW00121000000	Handle hook SEHD-25-A-08(ver.0) (has mould)		Assembly	1
31	YW64000500000	Hex nut M5 anti-loose			6
30	BW09000630040	Sight glass iron sheet six hole (chrome-plated)		SPCC2.0	1
29	YR40001200000	Acrylic six-hole SEHD-12-A-12 (ver.0) Mat. PC (has mould)	PC		1
28	YR40000600000	Sight glass fastener six hole (has mould) SEHD-12-A-11(ver.0)	Rubber		1
27	YW66000600000	Ring opening GB/T896 6			2
26	YW900481203800	Horizontal pin 48 SHD-12EB (Longfeng)	Q235		2
25	YW66103200000	Large washer A grade GB/T93-1010 5x30x2.5-Longzine			2
24	YW90001200400	Star ring screw small M10x4.0 SHD-12EB (Longfeng)	Q235		2
23	YW90001200300	Star ring nut small SHD-12EB (Longfeng)	kirsite		2
22	BL01120700220	Upper screen SHD-12E-A-07 drawing ver 0		SUS201	1
21	YL01001200700	Lower screen assembly SHD-12E-A-06 drawing ver 0 Longfeng		SUS201	1
20	YW20001200100	Hopper SHD-12E-A-03 drawing ver 0 Longfeng		AC4B	1
19	BY10001200850	Base assembly SHD-12EB (Longfeng)		Assembly	1
18	YW80010200100	Plug 1/4			1
17	YW69042000200	Cross recessed pan head assembly screw GB/T 9074 L-M6x20-Longzine			2
16	YW67040600600	Cross recessed pan head self-tapping set screw GB6560 M4x6-Longzine			4
15	YW67051000700	Cross recessed pan head self-tapping set screw GB6560 M5x10-Longzine			7
14	BL01005000720	Control box short box SEHD-50-ALL-02 (ver.B)		Welding parts	1
13	YW65008000100	Standard spring washer GB/T93 8-Longzine			16
12	YW66081900000	Flat washer 8x19x2.0 Longzine			16
11	YW60082500100	Hex bolt GB/T5783 M8x25-12.9-Longzine			8
10	YM40151204100	Alu shell blower 15'(12E) 3φ 380~415V/50/60HZ/100/125W		Assembly	1
9	SHD-12E-A-01	Storage hopper body		Assembly	1
8	YW64000600200	Hex nut M6 (anti-loose)			2
7	YW61062500000	Inner hex column head screw GB/T70 1 M6x25-A2-70(SUS)			2
6	YW65006000100	Standard spring washer GB/T93 6-Longzine			6
5	YW66061300000	Flat washer A grade GB/T971 6-Longzine			6
4	YW60061200000	Hex bolt GB/T5783 M6x12-12.9-Longzine			6
3	YW90001200100	Hopper cover hinge SHD-12E-A-10 drawing ver 0		Assembly	1
2	YW63061500000	Cross recessed pan head screw GB/T-818 M6x15-Longzine			4

标记	更改前	更改后	更改人	日期	制图	版号	标题	图号	比例	1:1	数量	备注
					设计	核准	SHD-12E					
					校对		料斗干燥机					材质
					审核		信易电热机械股份有限公司 Shini Plastics Technologies, Inc.					表面要求
					日期			物料号				



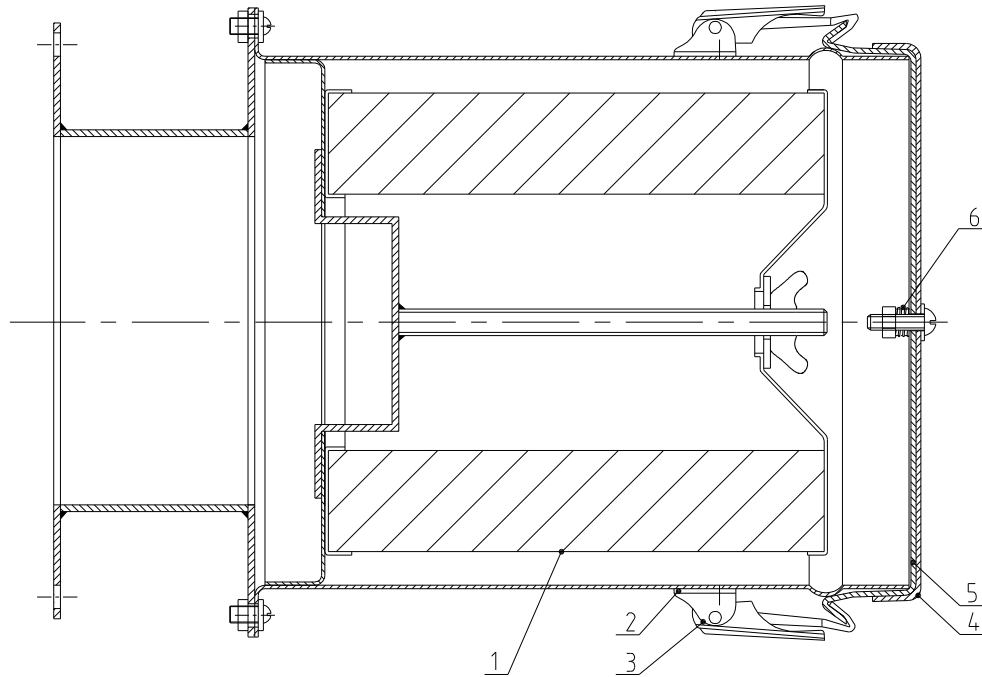
8	YW02003000400	Adjustable snap hook SAL-6U-A-35(ver.c)		3	
7	BA10001200110	Exhaust air pipe SHD-12-A-01(painted)(has mould)		1	
6	YR10001200700	Exhaust air pipe fastener SHD-12-ADC-1-A-04 rubber (has mould)		1	
5	YR50127000000	Filter ADC1 ext.126× inner 70×254mm ADC-1-A-06(ver.0)		1	
4	YE66515800000	PVC hose 2" inner dia. 50mm×0.8mm		1	
3	YW02002500000	Stainless steel pipe clamp 2.5"(40-64mm)		2	
2	YR40012500000	Plastic connector 1.25"		1	
1	YR40000000100	Bottom plug ADC-1-A-05 ver.0 (has mould)		1	
序号	代号	名称	材质	数量	备注

					制图		版号		标题	ADC-1	图号	ADC-1-ALL	比例	1:6	数量	1
					设计		核准		排风空气滤清器					材质		
					校对				SHINI 信易電熱機械股份有限公司 Shini Plastics Technologies, Inc.				表面要求			
标记	更改前	更改后	更改人	日期	审核		日期			物料号						



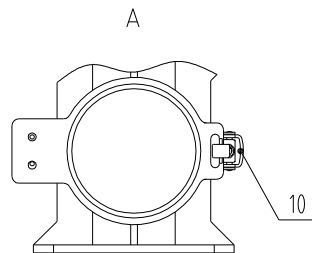
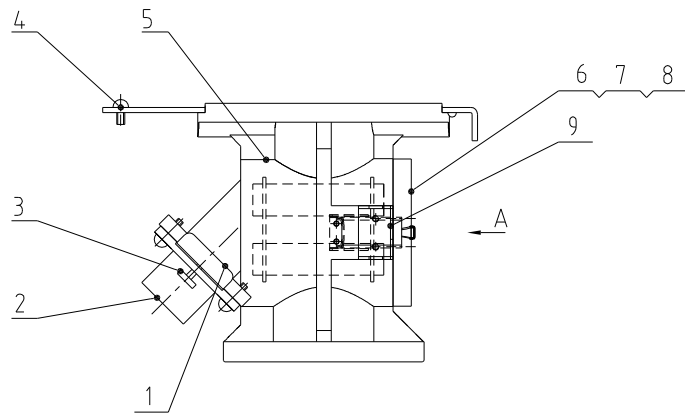
11	YR10061200000	Suction pipe fastener SAL-6U/12U (has mould)		1	
10	BH11002010310	Quick connector 2" HAR-12-A-03-A(SUS)		1	
9	YW72023600000	Heat-resistant air pipe 2" double layer red x3.6M		0.3	
8	YW02002500000	Stainless steel pipe clamp 2.5" (40-64mm)		2	
7	YW01126900000	Air cover spring (TB-3-A-10 Drawing No.)		1	
6	BL00000204200	Filter hopper cover HAR-2		1	
5	BL00000200320	Blower filter hopper air cover 2.5"-02 (HAR-2) (has mould)		1	
4	YW02003000400	Adjustable snap hook SAL-6U-A-35(ver.c)		2	
3	YR40000600800	Adjustable snap hook pad SAL-6U(white)(has mould)		2	
2	YR50138000000	Filter ADC14 foamed rubber (AIF-12-A-ALL-01) ver.0		1	
1	BL90120500120	Hot air recycler adaptor flange HAR-12-A-05 (Drawing No B)		1	
序号	代号	名称	材料	数量	备注

					制图	版号	标题	图号	比例	1:3	数量	1
					设计	核准	HAR-12	HAR-12-ALL			材质	
					校对		风机入口过滤器		表面要求			
标记	更改前	更改后	更改人	日期	审核	日期	2014.02.13	信易電熱機械股份有限公司 Shini Plastics Technologies, Inc.		物料号		



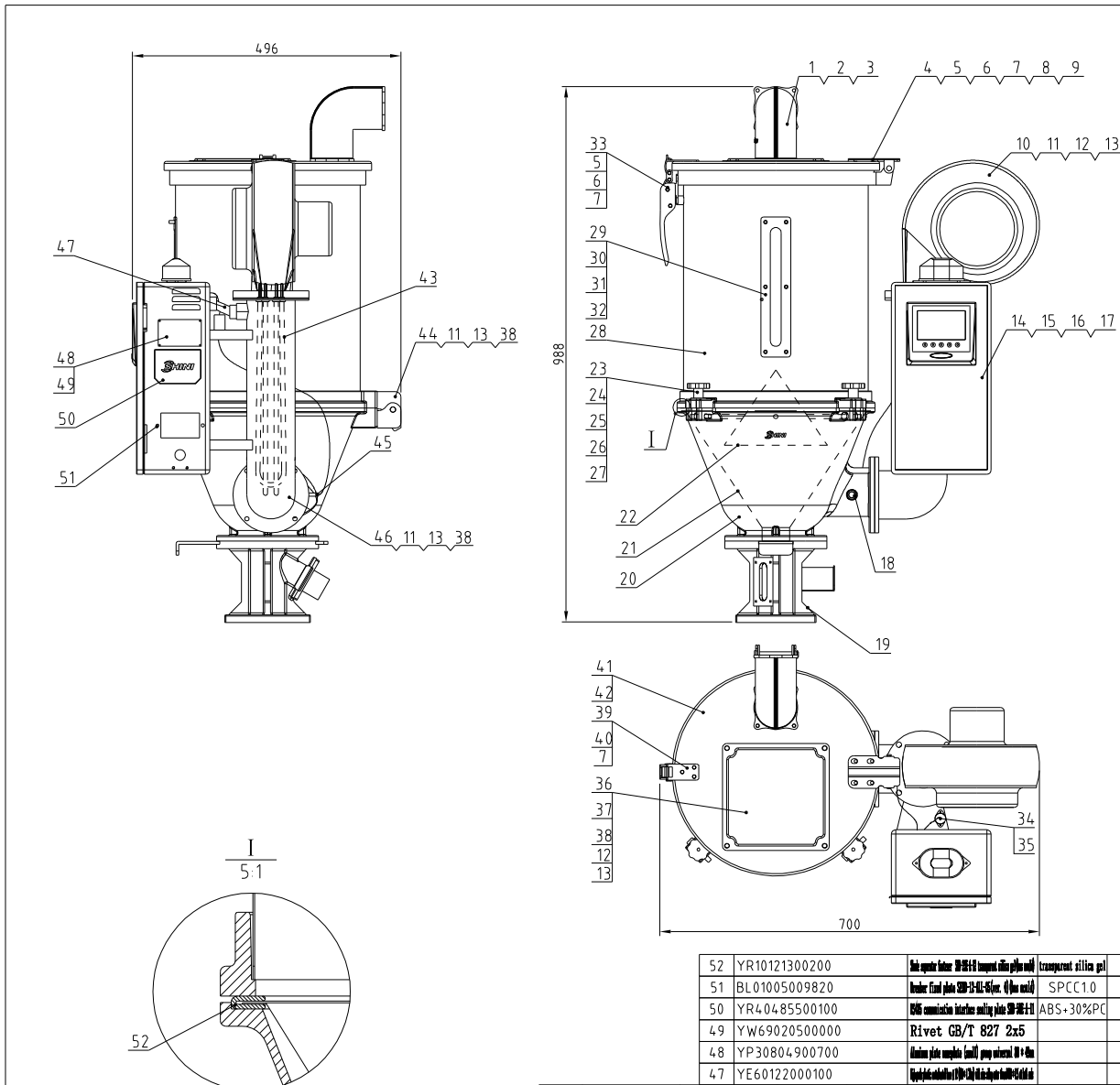
6	YW01126900000	Air cover spring (TB-3-A-10 Drawing No.)		1	
5	BL00000204200	Filter hopper cover HAR-2		1	
4	BL00000200320	Blower filter barrel air cover 25"-02(HAR-2)(has mould)		1	
3	YW02003000400	Adjustable snap hook SAL-6U-A-35(ver.c)		2	
2	YR40000600800	Adjustable snap hook pad SAL-6U(white)(has mould)		2	
1	YR50138000000	Filter ADC14 foamed rubber (AIF-12-A-ALL-01) ver 0		1	
序号	代号	名称	材料	数量	备注

					制图		版号		标题	AIF-12	图号	AIF-12-ALL	比例	1:2	数量	1
					设计		核准		风机入口过滤器					材质		
					校对				信易電熱機械股份有限公司 Shini Plastics Technologies, Inc.			表面要求				
标记	更改前	更改后	更改人	日期	审核	日期	2014.0213					物料号				



10	YW02003000400	Adjustable snap hook SAL-6U-A-35		1	
9	YW09050200000	Magnetic base hinge SCM-38-A-21/SGD-A-12 (ver.0)(has mould)		1	
8	YW01005000100	Magnetic base spring SHD-50-A-101		1	
7	YW70097500000	Sight glass 50KG(φ97×5mm)SHD-50-A-106(ver.C)		1	
6	BA10005000210	Magnetic base mirror frame SHD-50-A-96-0(processed)(has mould)		1	
5	BA20001200210	Magnetic base MB-12EB-A-01(processed)(has mould)		1	
4	YW07001200000	Large shut-off plate HB-12-A-02(ver.A)(has mould)		1	
3	YW69616100000	Manual screw M6×16×16		1	
2	YA10005000100	Discharge port (has mould) SEHD-50-ALL-03(ver.0)		1	
1	YW09125000000	Small shut-off plate HB-12/50 T.14mm HB-12-A-03(ver.0)(has mould)		1	
序号	代号	名称	材质	数量	备注

					制图	版号	标题	图号	比例	1:5	数量	1
					设计	核准	MB-12EB 磁力底座	MB-12EB-ALL		材质		
					校对		信易電熱機械股份有限公司 Shini Plastics Technologies, Inc.				表面要求	
标记	更改前	更改后	更改人	日期	审核	日期					20130108	



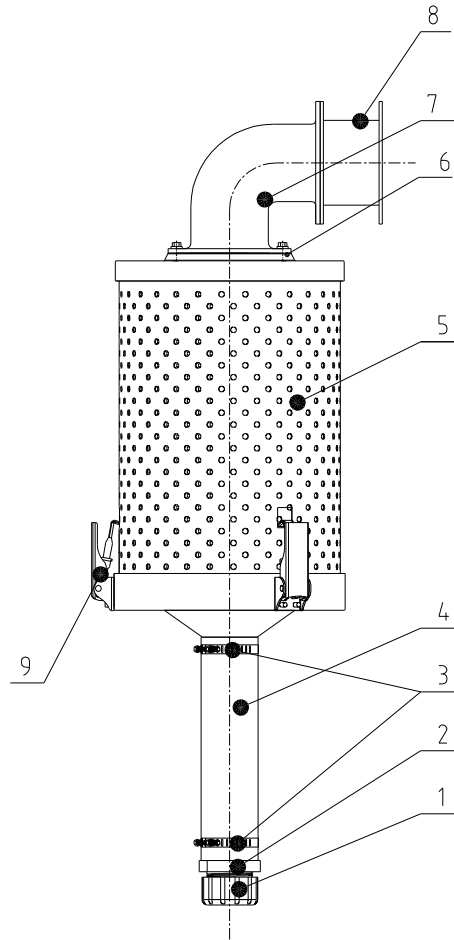
Blower power	Heater pipe power	Hopper capacity	Ver.
50Hz:0.17kW 60Hz:0.205kW	3kW	25kg	Ver.D

46	BL01250800121	Hot air pipe SPS-25-40 (Sheet metal)	assembly	1	
45	YE90055501300	Hex nut M6 anti-loose	assembly	1	
44	YW09125000100	Hopper rear bottom SPS-50E-A-07	assembly	1	
43	BH70250300150	Pipe heater SPS-25-41-01/20-00V	assembly	1	
42	YR10002500100	Cover fanster SPS white silica gel has mold	white silica gel	1	
41	YW90038302000	Hopper cover SPS-25E-A-04 Longzine	SPCC1.4	1	
40	YW62061000000	Large screw nut that has screw M20x1.5		3	
39	BL011214.00120	Hand hook SPS-12E-A-14 has mould	SUS201	1	
38	YW66081600000	Flat washer 8x19x2.0 Longzine		12	
37	YW60083000200	Hexagon screw bolt Q235 B6.5-B.3 Longzine		4	
36	BW09202000000	Square plate SPS-10E-A-09 (has mould)	SPCC1.0	1	
35	YW67030800000	Cover screw nut that tapping screw SPS 10 Longzine		2	
34	BE85013000550	Hand plate SPS white silica gel (has mould)	assembly	1	
33	YW00121000000	Handle SPS-25-A-08 (has mould)	assembly	1	
32	YW64.000500000	Hex nut M6 anti-loose		6	
31	BW09000630040	Six holes right glass fibre plate SPS-25-F-11	SPCC2.0	1	
30	YR4.00012000000	Acryl air hole SPS-25-F-12 Plastic P3 has mold	PC	1	
29	YR4.00006000000	Right glass fanster six holes has mold SPS-25-F-11	rubber	1	
28	SHD-25E-A-01	Material storage tank	assembly	1	
27	YW66000600000	E-rings GB/T896 6		2	
26	YW904.81203800	Long rings Q235 SPS-12E Longzine 100 set/box	Q235	2	
25	YW66103200000	Large nut that grade Q235 B6.5-B.3 Longzine		2	
24	YW900012004.00	Small star ring SPS SPS-12E Longzine 100 set/box	Q235	2	
23	YW90001200300	Small star ring SPS SPS-12E Longzine 100 set/box	Zinc alloy	2	
22	BL01250600220	Upper screen SPS-25-A-09 (has mould)	SUS201	1	
21	YL01002500200	Lower screen assembly SPS-25-A-10 Longzine	SUS201	1	
20	YW20002500100	Hopper SPS-25-A-02 Longzine Shini mould	AC4B	1	
19	BY10050003150	Standard base assembly BS-20 (Ver. B)	assembly	1	
18	YW80010200100	plug 1/4		1	
17	YW6904.2000200	Cover screw nut that tapping screw Q235 B6.5-B.3 Longzine		2	
16	YW6704.0600600	Cover screw nut that tapping screw SPS 10 Longzine		4	
15	YW67051000700	Cover screw nut that tapping screw SPS 10 Longzine		4	
14	BL01005000720	Control box sheet box SPS-20-01-02	SPCC1.0	1	
13	YW65008000100	Standard spring washer Q235 F-Longzine		16	
12	YW66081900000	Flat washer 8x19x2.0 Longzine		4	
11	YW60082500100	Hexagon screw bolt Q235 B6.5-B.3 Longzine		12	
10	YM4.05034.00200	Motor 1.5" 60Hz/200V 1/2HP/1400RPM/200V/50Hz	assembly	1	
9	YW64.000600200	Hex nut M6 anti-loose		2	
8	YW61062500000	Large hexagonal nut Q235 B6.5-B.3 Longzine		2	
7	YW65006000100	Standard spring washer Q235 F-Longzine		7	
6	YW66061300000	Flat washer 8 grade Q235.1 F-Longzine		6	
5	YW60061200000	Hexagon screw bolt Q235 B6.5-B.3 Longzine		6	
4	YW90001200100	Large screw nut that tapping screw Q235 B6.5-B.3 Longzine		1	
3	YW63061500000	Cover screw nut that tapping screw Q235 B6.5-B.3 Longzine		4	
2	YR10500900300	Air exhaust pipe heater SPS-25-F-13 white has mold	rubber	1	
1	BA10500707010	Air exhaust pipe SPS-25-A-07 (has mould) white has mold	AC4B	1	

52	YR10121300200	Hot water heater SPS-25-F-13 (white has mold)	transparent silica gel	1	
51	BL01005009820	Handle front plate SPS-25-A-09 (has mould)	SPCC1.0	1	
50	YR4.0485500100	ABS connection interface mixing plate SPS-25-F-11	ABS-30%PC	1	
49	YW69020500000	Rivet GB/T 827 2x5		1	
48	YP30804.900700	Hand plate complete (with) grey material BS-20		1	
47	YE60122000100	Hand plate complete (with) grey material BS-20		1	

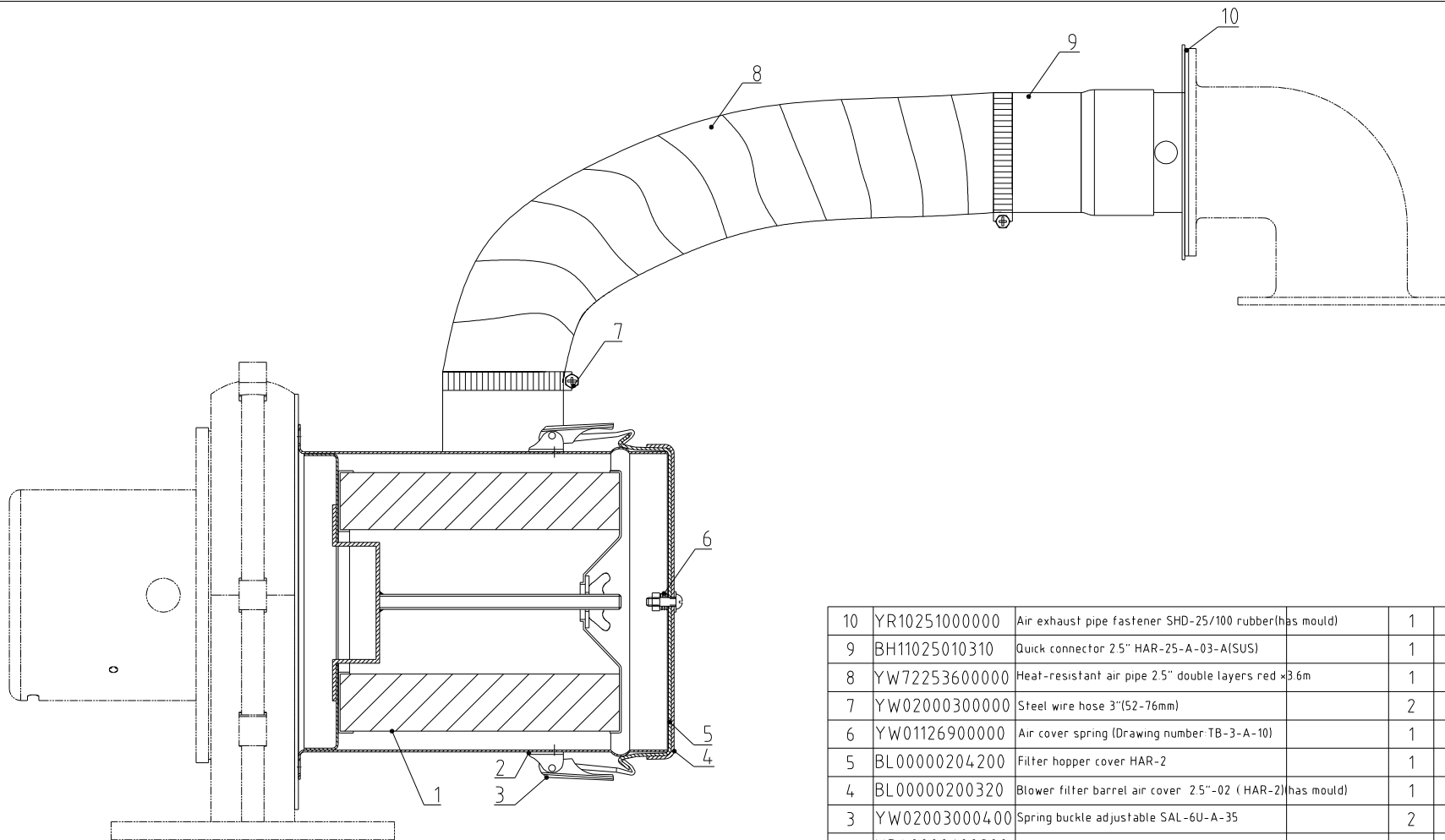
制图	版号	标题	SHD-25E	图号	
设计	核准	料斗干燥机 (400V)			
校对	日期	SHINI 信易电热机械股份有限公司 Shini Plastics Technologies, Inc.			
标记	更改前	更改后	更改人	日期	表面要求

比例	1:8	数量	
材质		物料号	



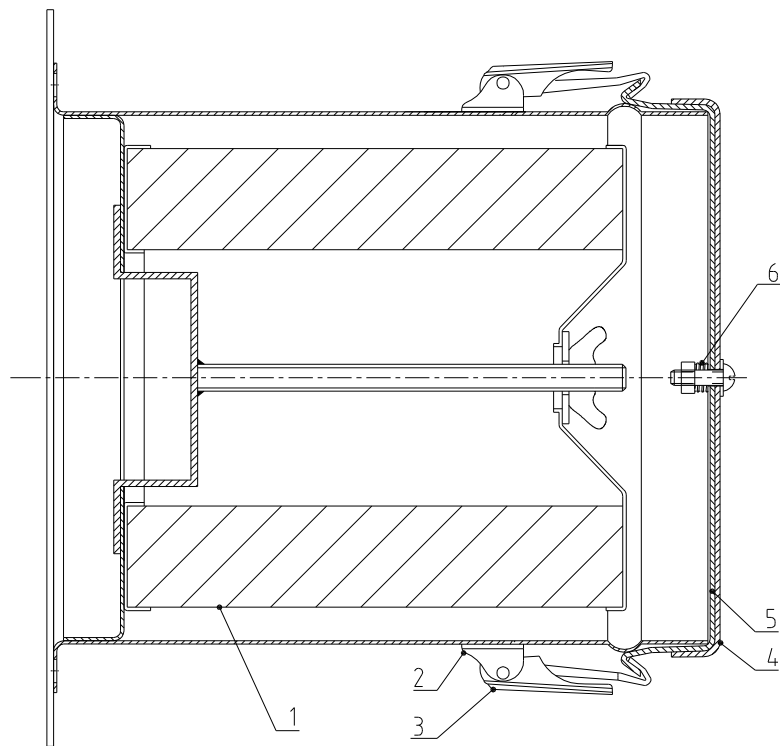
9	YW02003000400	Spring buckle adjustable SAL-6U-A-35(Ver.C)	3		
8	BL90000200120	Adaptor flange ADC-2EB-A-01(Ver.0)	1		
7	YW20002507000	Air exhaust pipe SHD-25EB-A-03(ver.0)(Longfeng)	1		
6	YR10251000000	Air exhaust pipe fastener SHD-25/100rubber(has mould)	2		
5	YR50181100000	Filter ADC2 rubber fastenre (SMD-1000H-A-ALL-09) ver.0	1		
4	YE66515800000	PVC transparent hose 2" inner dia. 50mm*0.8mm	1		
3	YW02002500000	Stainless steel pipe clamp 2.5" (40-64mm)	2		
2	YR40012500000	Plastics connector 1.25"	1		
1	YR40000000100	Bottom plug ADC-1-A-05 ver.0 (has mould)	1		
序号	代 号	名 称	材 质	数量	备注

					制图	版号	标题	图号	比例	1:6	数量	1
					设计	核 准	ADC-2EB 排风空气滤清器	ADC-2EB-ALL			材 质	
					校对		SHINI 信易電熱機械股份有限公司 Shini Plastics Technologies, Inc.	表面要求				
标记	更改前	更改后	更改人	日期	审核	日期		物料号				



10	YR10251000000	Air exhaust pipe fastener SHD-25/100 rubber(has mould)	1		
9	BH11025010310	Quick connector 2.5" HAR-25-A-03-A(SUS)	1		
8	YW72253600000	Heat-resistant air pipe 2.5" double layers red ×3.6m	1		
7	YW02000300000	Steel wire hose 3"(52-76mm)	2		
6	YW01126900000	Air cover spring (Drawing number:TB-3-A-10)	1		
5	BL00000204200	Filter hopper cover HAR-2	1		
4	BL00000200320	Blower filter barrel air cover 2.5"-02 (HAR-2)(has mould)	1		
3	YW02003000400	Spring buckle adjustable SAL-6U-A-35	2		
2	YR40000600800	Snap hook plastic block SAL-6U(white)(has mould)	2		
1	YR50138000000	Filter ADC14 foam rubber (AIF-12-A-ALL-01) Ver.0	1		
序号	代号	名称	材料	数量	备注

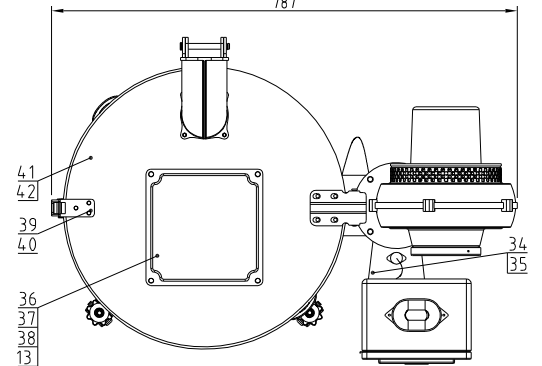
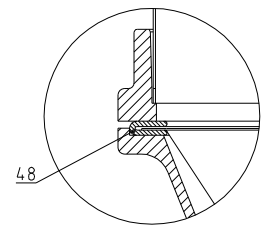
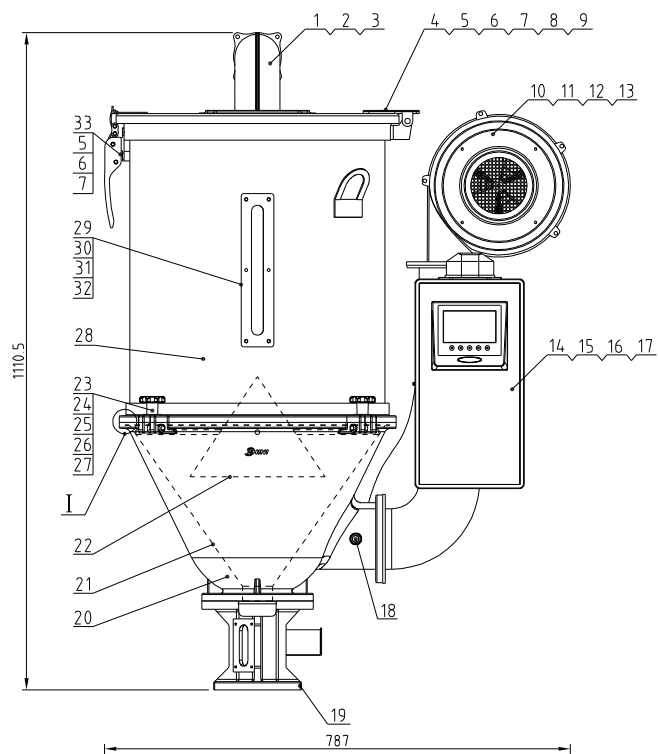
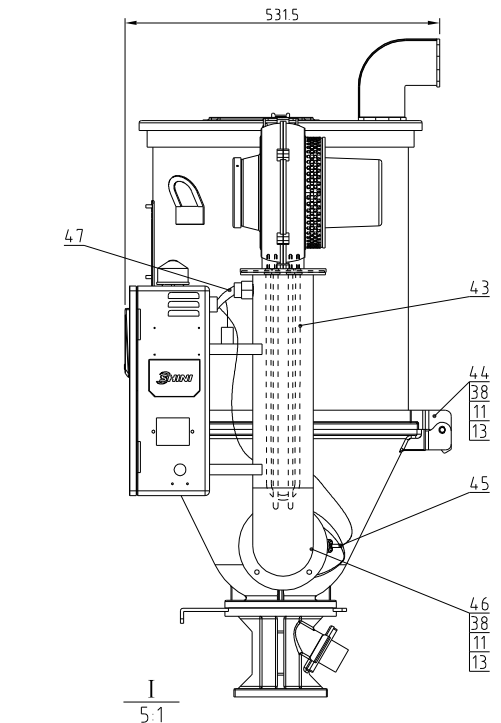
					制图	版号	标题	图号	比例	1:3	数量	1
					设计	核准	HAR-25EB	HAR-25EB-ALL	材质			
					校对		信易電熱機械股份有限公司 Shini Plastics Technologies, Inc.		表面要求			
标记	更改前	更改后	更改人	日期	审核	日期			20200917	物料号		



6	YW01126900000	Air cover spring (Drawing number TB-3-A-10)			
5	BL00000204200	Filter hopper cover HAR-2		1	
4	BL00000200320	Blower filter barrel air cover 25"-02 (HAR-2)(has mould)		1	
3	YW02003000400	Spring buckle adjustable SAL-6U-A-35		2	
2	YR40000600800	Snap hook plastic block SAL-6U(white)(has mould)		2	
1	YR50138000000	Filter ADC14 foam rubber (AIF-12-A-ALL-01) Ver.0		1	
序号	代号	名称	材料	数量	备注

					制图	版号	标题	图号	比例	1:2	数量	1
					设计	核准	AIF-25EB 风机入口过滤器	AIF-25EB-ALL		表面要求		
					校对		信易電熱機械股份有限公司 Shini Plastics Technologies, Inc.		物料号			
标记	更改前	更改后	更改人	日期	审核	日期			20200917			

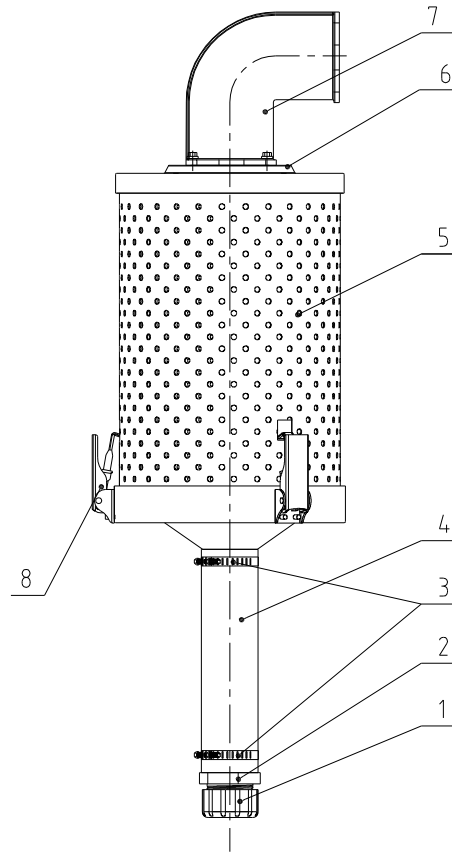
Blower Power		Pipe Heater Power	Hopper Capacity	Machine Version
50Hz: 0.17kW	60Hz: 0.205kW	3.9kW	50kg	Ver.C



4.8	YR10501200100	Inner hopper fastener SHD-50-A-12(Ver.B) PC silica gel (has mould)	silical gel	1
4.7	YE60122000100	High-grade plastic coated metal hose#(2020*1.2mm) Two ends are connected with zinc alloy water wire #12x1.5		1

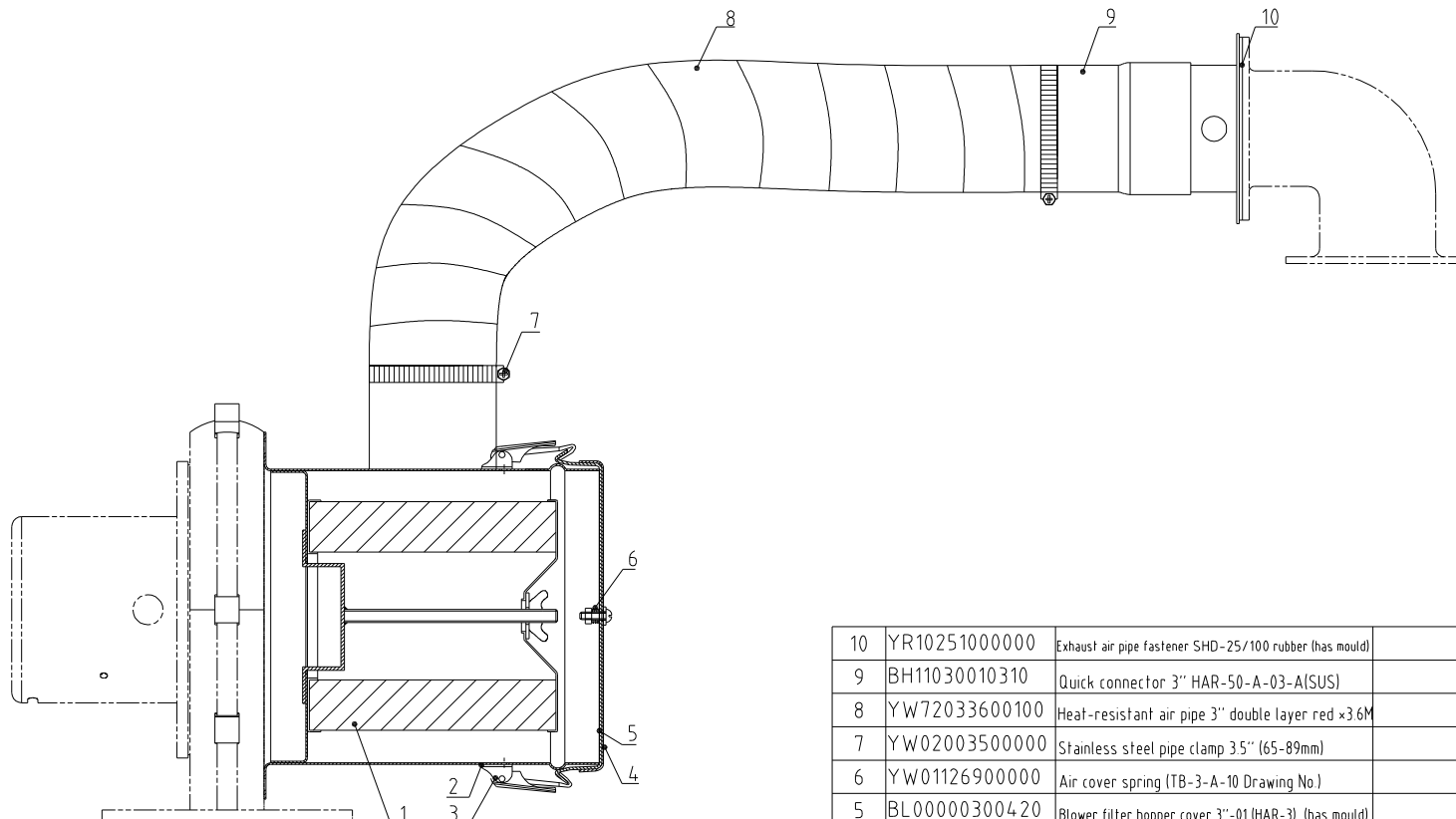
4.6	YL01500800100	Pipe heater SHD-50E-A-08 drawing ver 0 Longfeng	welding parts	1
4.5	YE90055501300	Thermocouple 5*55L*M8*11M(SHD-40U-A-24 ver.B)	Assembly	1
4.4	YW09125000100	Hopper rear button SHD-50E-A-07 drawing ver 0	Assembly	1
4.3	BH70500300150	Pipe heater SHD-50E-B-01 drawing 0-3.9kW/3.0-4.0V	Assembly	1
4.2	YR10005000100	Cover fastener SHD-50 white silical gel (has mould)	White silica gel	1
4.1	YW90047802000	Hopper cover SHD-50E-A-04 drawing ver 0 Longfeng	SPCC1.2	1
4.0	YW62061000000	Large cross recessed flat head screw #S1111 M6x10-Longzine		3
3.9	BL011214.00120	Handle hook SHD-12E-A-14(Ver.01)(has mould)	SUS201	1
3.8	YW66081600000	Large washer A grade GB/T193 16*16*1.6		12
3.7	YW60083000200	Hex bolt GB/T5783 M8x30-8-Longzine		4
3.6	BW09202000000	Square plate SEHD-100-A-09 (Ver.01)(has mould)	SPCC1.0	1
3.5	YW67030800000	Cross recessed pan head self-tapping set screw GB6560 M3*8 Longzine		2
3.4	BE85013000550	Thermal protector K130 cenigrade (wire 0.5M) (Thermal protection normally open)(has rubber sleeve)	Assembly	1
3.3	YW00121000000	Handle hook SEHD-25-A-08(Ver.01)(has mould)	Assembly	1
3.2	YW64.000500000	Hex nut M5 anti-loose		6
3.1	BW09000630040	Sight glass iron sheet six hole (chrome-plated) SEHD-12-A-16 (drawing ver 0)	SPCC2.0	1
3.0	YR40001200000	Acrylic six-hole SEHD-12-A-12 (Ver.0)	PC	1
2.9	YR40000600000	Sight glass fastener six hole (has mould) SEHD-12-A-11(Ver.0)	Rubber	1
2.8	SHD-50E-A-01	Storage hopper body	Assembly	1
2.7	YW66000600000	Ring opening GB/T896 6		2
2.6	YW90481203800	Horizontal pin 4.8 SHD-12EB (Longfeng)	Q235	2
2.5	YW66103200000	Large washer A grade GB/T196 10*10 5*30*2.5		2
2.4	YW90001200400	Star ring screw small M10*4.0 SHD-12EB (Longfeng)	Q235	2
2.3	YW90001200300	Star ring nut small SHD-12EB (Longfeng)	kirsite	2
2.2	BL01500600220	Upper screen SHD-50E-A-06 drawing ver 0	SUS201	1
2.1	YL01005000200	Lower screen assembly SHD-50E-A-05 drawing ver 0 Longfeng	SUS201	1
2.0	YW20005000300	Hopper SHD-50E-A-03 drawing ver 0 Longfeng	AC4B	1
1.9	BY10050003150	Base assembly HB-50 (Ver.B)	Assembly	1
1.8	YW80010200100	Plug 1/4		1
1.7	YW69042000200	Cross recessed pan head assembly screw GB/T 907L 4- M6*20-Longzine		2
1.6	YW67040600600	Cross recessed pan head self-tapping set screw GB6560 M4*6-Longzine		4
1.5	YW67051000700	Cross recessed pan head self-tapping set screw GB6560 M5*10-Longzine		4
1.4	BL01005000720	Control box short box SEHD-50-ALL-02 (Ver.B)	SPCC1.0	1
1.3	YW65008000100	Standard spring washer GB/T193 8-Longzine		16
1.2	YW66081900000	Flat washer 8x19x2.0 Longzine		4
1.1	YW60082500100	Hex bolt GB/T5783 M8x25-12.9-Longzine		12
1.0	YM40503400200	Blower 2.5'150E13080V-4.5V/50/60HZ/170W/225W	Assembly	1
9	YW64.000600200	Hex nut M6 (anti-loose)		2
8	YW61062500000	Inner hex column head screw GB/T101 M6x25-A2-70SUS		2
7	YW65006000100	Standard spring washer GB/T193 6-Longzine		8
6	YW66061300000	Flat washer A grade GB/T191 6-Longzine		8
5	YW60061200000	Hex bolt GB/T5783 M6x12-12.9-Longzine		8
4	YW90001200100	Hopper cover hinge SHD-12E-A-10 drawing ver 0	Assembly	1
3	YW63061500000	Cross recessed pan head screw GB/T-818 M6x15-Longzine		4
2	YR10500900300	Exhaust air pipe fastener SEHD-50-A-10 (Ver.B) rubber (has mould)	Rubber	1
1	BA10500707010	Exhaust air pipe SEHD-50-A-07 (Ver.01)(has painted)(has mould)	AC4B	1

制图	版号	标题	SHD-50E	图号	比例	1:8	数量	
设计	核准	料斗干燥机			表面要求		材质	
校对	核准	SHINI	信易电热机械股份有限公司		物料号			
标记	更改前	更改后	更改人	日期	审核	日期		



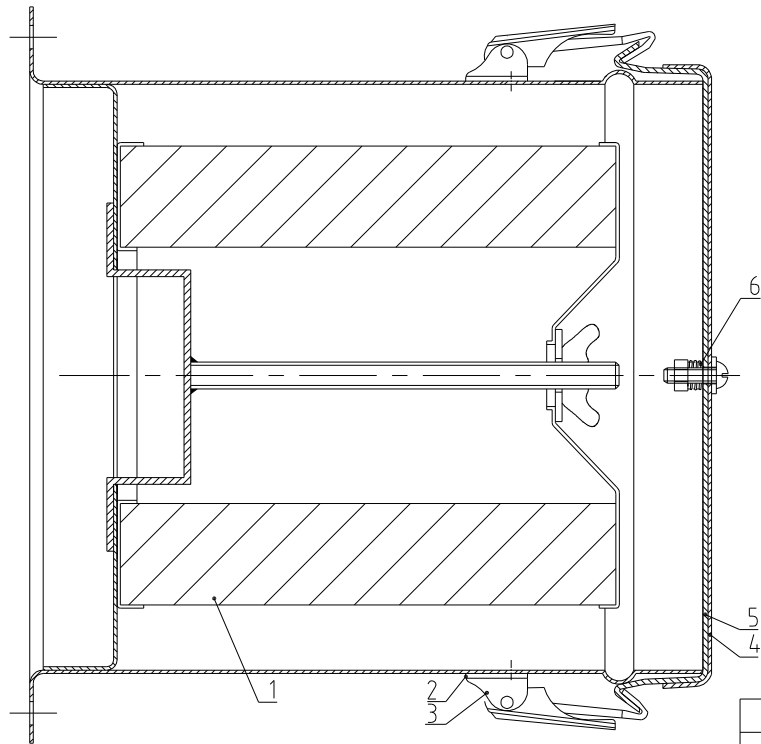
8	YW02003000400	Adjustable snap hook SAL-6U-A-35(ver.c)		3	
7	YW20002507000	Exhaust air pipe SHD-25EB-A-03(ver.0)(Longfeng)		1	
6	YR10251000000	Exhaust air pipe fastener SHD-25EB-A-03 rubber (has mould)		2	
5	YR50181100000	Filter ADC2 fastener rubber (SMD-1000H-A-ALL-09) ver.0		1	
4	YE66515800000	PVC hose 2" inner dia. 50mm×0.8mm		1	
3	YW02002500000	Stainless steel pipe clamp 2.5"(40-64mm)		2	
2	YR40012500000	Plastic connector 1.25"		1	
1	YR40000000100	Bottom plug ADC-1-A-05 ver.0 (has mould)		1	
序号	代号	名称	材质	数量	备注

					制图		版号		标题	ADC-2	图号	ADC-2-ALL	比例	1:6	数量	1
					设计		核准		排风空气滤清器					材质		
					校对				SHINI 信易电热机械股份有限公司 Shini Plastics Technologies, Inc.				表面要求			
标记	更改前	更改后	更改人	日期	审核		日期			物料号						



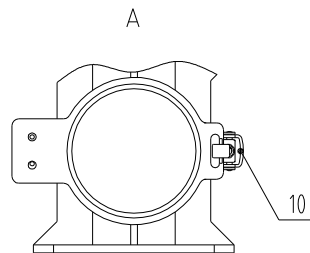
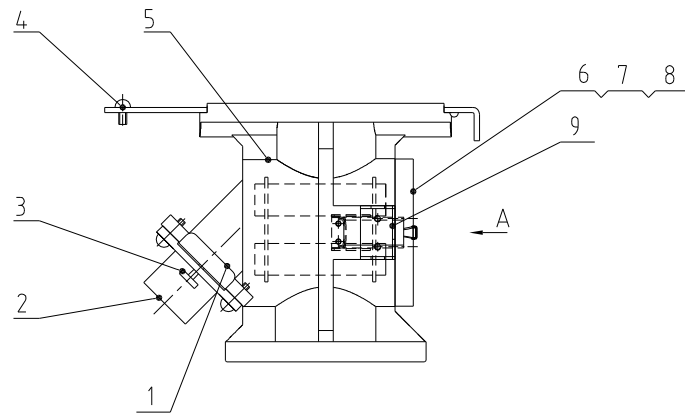
10	YR10251000000	Exhaust air pipe fastener SHD-25/100 rubber (has mould)		1	
9	BH11030010310	Quick connector 3" HAR-50-A-03-A(SUS)		1	
8	YW72033600100	Heat-resistant air pipe 3" double layer red x3.6M		0.35	
7	YW02003500000	Stainless steel pipe clamp 3.5" (65-89mm)		2	
6	YW01126900000	Air cover spring (TB-3-A-10 Drawing No.)		1	
5	BL00000300420	Blower filter hopper cover 3"-01 (HAR-3) (has mould)		1	
4	BL00000300320	Blower filter hopper air cover 3"-02 (HAR-3) (has mould)		1	
3	YW02003000400	Adjustable snap hook SAL-6U-A-3S(ver.c)		2	
2	YR40000600800	Adjustable snap hook pad SAL-6U(white)(has mould)		2	
1	YR50138000000	Filter ADC14 foamed rubber (AIF-12-A-ALL-01) ver.0		1	
序号	代号	名称	材料	数量	备注

					制图	版号	标题	图号	比例	1:4	数量	1
					设计	核准	HAR-50	HAR-50-ALL		材质		
					校对		热风回收器			表面要求		
标记	更改前	更改后	更改人	日期	审核	日期	20200522	信易電熱機械股份有限公司 Shini Plastics Technologies, Inc.		物料号		



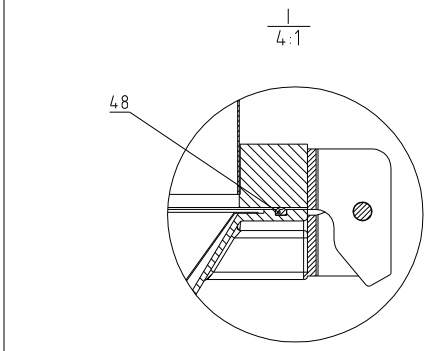
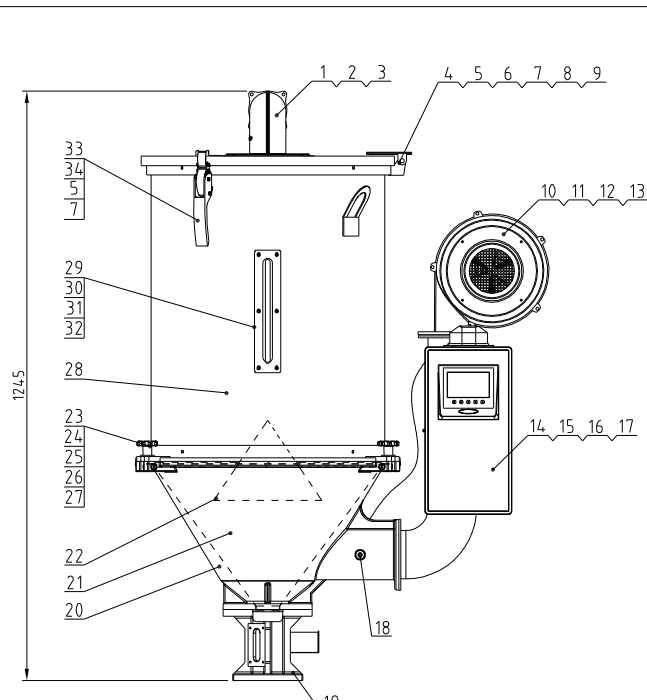
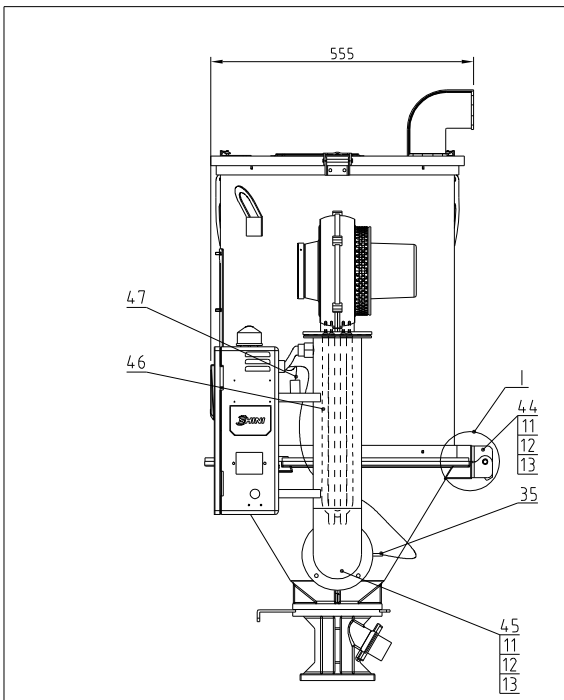
6	YW01126900000	Air cover spring (TB-3-A-10 Drawing No.)		1	
5	BL00000300420	Blower filter barrel cover 3"-01(HAR-3)(has mould)		1	
4	BL00000300320	Blower filter barrel air cover 3"-02(HAR-3)(has mould)		1	
3	YW02003000400	Adjustable snap hook SAL-6U-A-35(ver.c)		2	
2	YR40000600800	Adjustable snap hook pad SAL-6U(white)(has mould)		2	
1	YR50138000000	Filter ADC14 foamed rubber (AIF-12-A-ALL-01) ver.0		1	
序号	代号	名称	材料	数量	备注

					制图	版号	标题	图号	比例	1:2	数量	1
					设计	核准	AIF-50EB 风机入口过滤器	AIF-50EB-ALL		表面要求	材质	
					校对		信易電熱機械股份有限公司 Shini Plastics Technologies, Inc.			物料号		
标记	更改前	更改后	更改人	日期	审核	日期				20200522		



10	YW02003000400	Adjustable snap hook SAL-6U-A-35		1	
9	YW09050200000	Magnetic base hinge SCM-38-A-21/SGD-A-12 (ver.01)(has mould)		1	
8	YW01005000100	Magnetic base spring SHD-50-A-101		1	
7	YW70097500000	Sight glass 50KG($\phi 97 \times 5$ mm)SHD-50-A-106(ver.C)		1	
6	BA10005000210	Magnetic base mirror frame SHD-50-A-96-01(processed)(has mould)		1	
5	BA20005000310	Magnetic base SHD-50-A-51(processed)(has mould)		1	
4	YW07001200000	Large shut-off plate HB-12-A-02(ver.All)has mould		1	
3	YW69616100000	Manual screw M6 \times 16		1	
2	YA10005000100	Discharge port (has mould) SEHD-50-ALL-03(ver.0)		1	
1	YW09125000000	Small shut-off plate HB-12/50 T 1.4mm HB-12-A-03(ver.0)(has mould)		1	
序号	代号	名称	材质	数量	备注

					制图	版号	标题	图号	比例	1:5	数量	1	
					设计	核准	MB-50 磁力底座	MB-50-ALL			材质		
					校对		信易電熱機械股份有限公司 Shini Plastics Technologies, Inc.					表面要求	
标记	更改前	更改后	更改人	日期	审核	日期						20130108	物料号



4.8	YR20060402000	Sealing silicone strip 6x4xSHD-12EB (Longfeng)	silical gel	1	
4.7	YE60122000100	High-grade plastic coated metal hoseφ120(8-12mm) Two ends are connected with zinc alloy outer wire M20x1.5	Assembly	1	

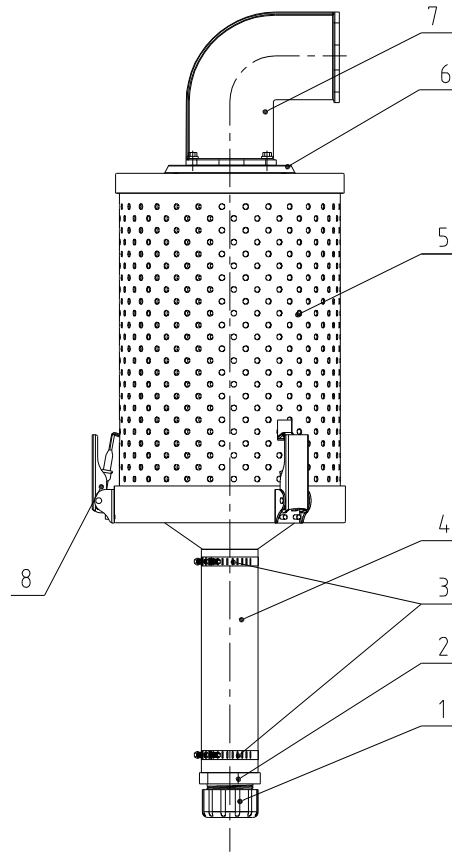
				制图	版号
				设计	核准
				校对	
标记	更改前	更改后	更改人	日期	审核

Blower Power	Pipe Heater Power	Hopper Capacity	Machine Version
50Hz:0.17kW	60Hz:0.205kW	4.2kW	75kg
			Ver.D

4.6	BH7050300050	Pipe heater SHD-75E-B-01 drawing ver 0 -L2KW3φ400V	Assembly	1	
4.5	YL01500800100	Pipe heater SHD-50E-A-08 drawing ver 0 Longfeng	welding parts	1	
4.4	YW09125000100	Hopper rear button SHD-50E-A-07 drawing ver 0	Assembly	1	
4.3	YR10010040000	Cover fastener SHD-100 white silical gel (has mould)	White silica gel	1	
4.2	YW90007500100	Hopper cover SHD-75E-A-01 (ver 0) Longfeng	SPCC1.5	1	
4.1	YW62061000000	Large cross recessed flat head screw J51111 M6x10-Longzine		6	
4.0	BL01121400120	Handle hook SHD-12E-A-14(ver 0)(has mould)	SUS201	2	
3.9	YW60083000200	Hex bolt GB/T5783 M8x30-8-Longzine		4	
3.8	BW09202000000	Square plate SEHD-100-A-09 (ver 0)(has mould)	SPCC1.0	1	
3.7	YW67030800000	Cross recessed pan head self-tapping set screw GB6500 M3-8-Longzine		2	
3.6	BE85013000550	Thermal protector KT30 centigrade (wire 0.5M) (thermal protection normally open)(has rubber sleeve)	Assembly	1	
3.5	YE90056500700	Thermocouple S-555-ME-1 M pipe (SEHD-50-ALL-07 ver 0)	Assembly	1	
3.4	YW66061300000	Flat washer A grade GB/T9716-Longzine		2	
3.3	YW00121000000	Handle SEHD-25-A-08 (ver 0)(has mould)	Assembly	2	
3.2	YW64000500000	Hex nut M5 anti-loose		6	
3.1	BW09000630040	Sight glass iron sheet six hole (chrome-plated)	SPCC	1	
3.0	YR40001200000	Acrylic six-hole SEHD-12-A-12 (ver 0) Mat. PC (has mould)	PC	1	
2.9	YR40000600000	Sight glass iron sheet six hole (chrome-plated) SEHD-12-A-11 (drawing ver 0)	Rubber	1	
2.8	SHD-75E-A-05	Storage hopper body	Assembly	1	
2.7	YW66000600000	Ring opening GB/T896 6		2	
2.6	YW90661003800	Horizontal pin 66100/200/400 (Longfeng) 100 pcs/bag		2	
2.5	YW66103200000	Large washer A grade GB/T96 100/5x30x2.5 -Longzine		2	
2.4	YW90001200400	Star ring screw small M10x40 SHD-12EB (Longfeng)		2	
2.3	YW90001200300	Star ring nut small SHD-12EB (Longfeng)		2	
2.2	BL01750600121	Upper screen assembly SHD-75E-A-06 drawing ver 0 Longfeng	SUS201	1	
2.1	YL01007500100	Lower screen assembly SHD-75E-A-03 drawing ver 0 Longfeng	SUS201	1	
2.0	YW20007500200	Hopper SHD-75E-A-04 drawing ver 0 Longfeng	AC4B	1	
1.9	BY10050003150	Base assembly HB-50 (Ver B)	Assembly	1	
1.8	YW80010200100	Plug 1/4		1	
1.7	YW69042000200	Cross recessed pan head assembly screw GB/T 907L 4- Max20-Longzine		2	
1.6	YW67040600600	Cross recessed pan head self-tapping set screw GB6500 M4x6-Longzine		4	
1.5	YW67051000700	Cross recessed pan head self-tapping set screw GB6500 M5x10-Longzine		4	
1.4	BL01005000720	Control box short box SEHD-50-ALL-02 (ver B)	SPCC1.0	1	
1.3	YW65008000100	Standard spring washer GB/T93 8-Longzine		16	
1.2	YW66081600000	Flat A washer GB/T97 118 4x16x1.6) Longzine		16	
1.1	YW60082500100	Hex bolt GB/T5783 M8x25-12.9-Longzine		12	
1.0	YM40503400200	Blower 2.5'59E13080V-4.5V/50/60Hz/170W/225W	Assembly	1	
9	YW64000600200	Hex nut M6 (anti-loose)		2	
8	YW61062500000	Inner hex column head screw GB/T701 M6x25-A2-70MSUS		2	
7	YW65006000100	Standard spring washer GB/T93 6-Longzine		8	
6	YW66061800000	Flat washer A grade GB/T9716-Longzine		4	
5	YW60061200000	Hex bolt GB/T5783 M6x12-12.9-Longzine		8	
4	YW90001200100	Hopper cover hinge SHD-12EB-A-10 drawing ver 0	Assembly	1	
3	YW63061500000	Cross recessed pan head screw GB/T-818 M6x15-Longzine		4	
2	YR10500900300	Exhaust air pipe fastener SEHD-50-A-10 (ver 0) (rubber has mould)	Rubber	1	
1	BA10500707010	Exhaust air pipe SEHD-50-A-09 (ver 0)(has painted)(has mould)	AC4B	1	

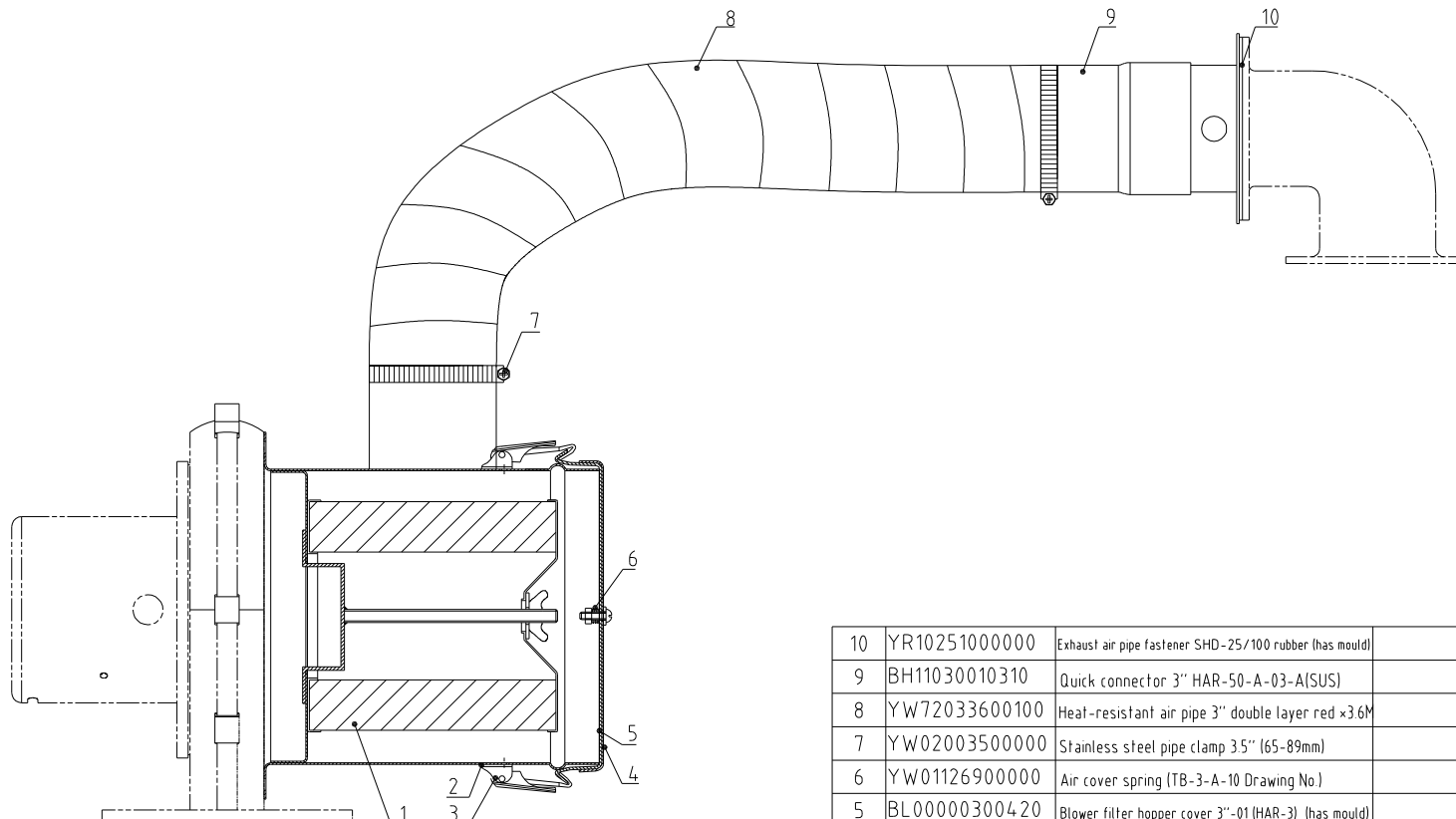
序号	代号	名称	材料	数量	备注
		标题 SHD-75E 料斗干燥机	图号	比例 1:10	数量
					材质
			表面要求		
			物料号		





8	YW02003000400	Adjustable snap hook SAL-6U-A-35(ver.c)		3	
7	YW20002507000	Exhaust air pipe SHD-25EB-A-03(ver.0)(Longfeng)		1	
6	YR10251000000	Exhaust air pipe fastener SHD-25EB-A-03 rubber (has mould)		2	
5	YR50181100000	Filter ADC2 fastener rubber (SMD-1000H-A-ALL-09) ver.0		1	
4	YE66515800000	PVC hose 2" inner dia. 50mm×0.8mm		1	
3	YW02002500000	Stainless steel pipe clamp 2.5"(40-64mm)		2	
2	YR40012500000	Plastic connector 1.25"		1	
1	YR40000000100	Bottom plug ADC-1-A-05 ver.0 (has mould)		1	
序号	代号	名称	材质	数量	备注

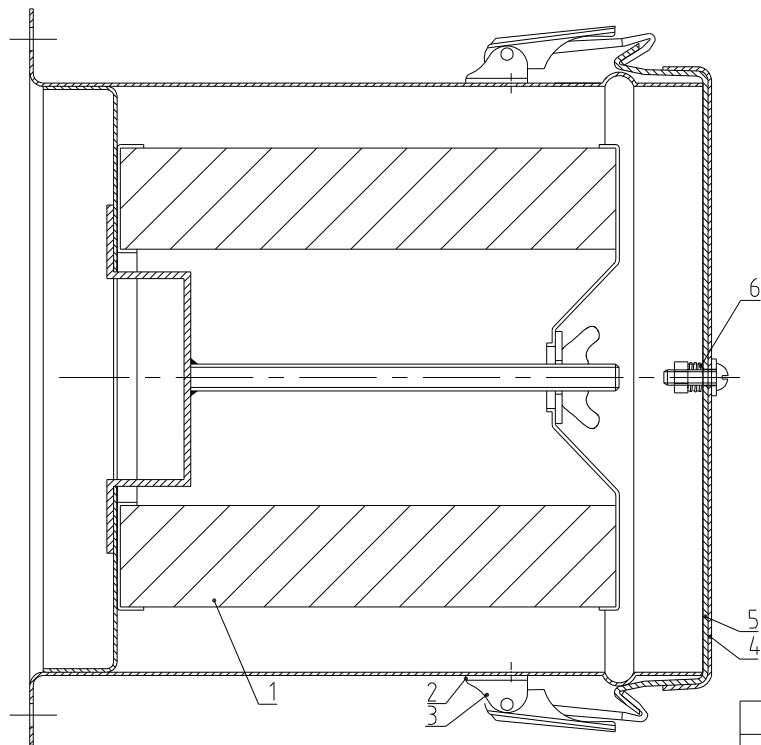
					制图		版号		标题	ADC-2	图号	ADC-2-ALL	比例	1:6	数量	1
					设计		核准		排风空气滤清器					材质		
					校对				SHINI 信易电热机械股份有限公司 Shini Plastics Technologies, Inc.				表面要求			
标记	更改前	更改后	更改人	日期	审核		日期			物料号						



10	YR10251000000	Exhaust air pipe fastener SHD-25/100 rubber (has mould)		1	
9	BH11030010310	Quick connector 3" HAR-50-A-03-A(SUS)		1	
8	YW72033600100	Heat-resistant air pipe 3" double layer red x3.6M		0.35	
7	YW02003500000	Stainless steel pipe clamp 3.5" (65-89mm)		2	
6	YW01126900000	Air cover spring (TB-3-A-10 Drawing No.)		1	
5	BL00000300420	Blower filter hopper cover 3"-01 (HAR-3) (has mould)		1	
4	BL00000300320	Blower filter hopper air cover 3"-02 (HAR-3) (has mould)		1	
3	YW02003000400	Adjustable snap hook SAL-6U-A-35(ver.c)		2	
2	YR40000600800	Adjustable snap hook pad SAL-6U(white)(has mould)		2	
1	YR50138000000	Filter ADC14 foamed rubber (AIF-12-A-ALL-01) ver.0		1	

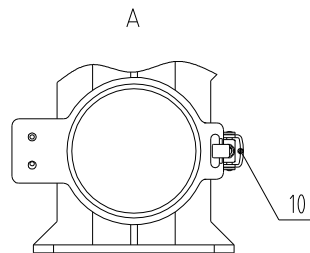
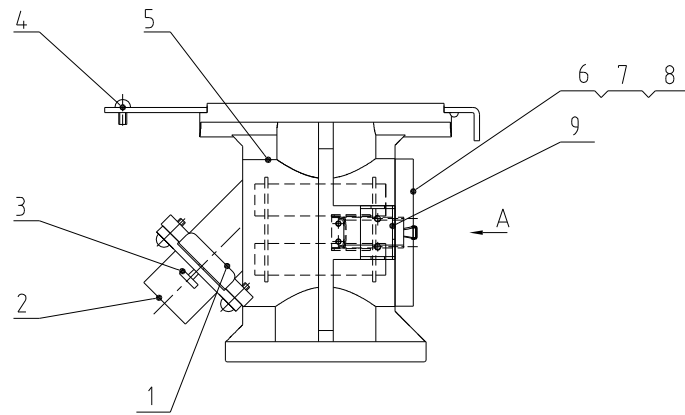
序号	代号	名称	材料	数量	备注
----	----	----	----	----	----

					制图	版号	标题	图号	比例	1:4	数量	1
					设计	核准	HAR-50	HAR-50-ALL		表面要求		
					校对		热风回收器					
标记	更改前	更改后	更改人	日期	审核	日期	信易電熱機械股份有限公司 Shini Plastics Technologies, Inc.				物料号	



6	YW01126900000	Air cover spring (TB-3-A-10 Drawing No.)		1	
5	BL00000300420	Blower filter barrel cover 3"-01(HAR-3)(has mould)		1	
4	BL00000300320	Blower filter barrel air cover 3"-02(HAR-3)(has mould)		1	
3	YW02003000400	Adjustable snap hook SAL-6U-A-35(ver.c)		2	
2	YR40000600800	Adjustable snap hook pad SAL-6U(white)(has mould)		2	
1	YR50138000000	Filter ADC14 foamed rubber (AIF-12-A-ALL-01) ver.0		1	
序号	代号	名称	材料	数量	备注

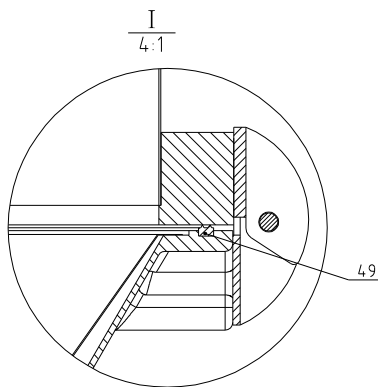
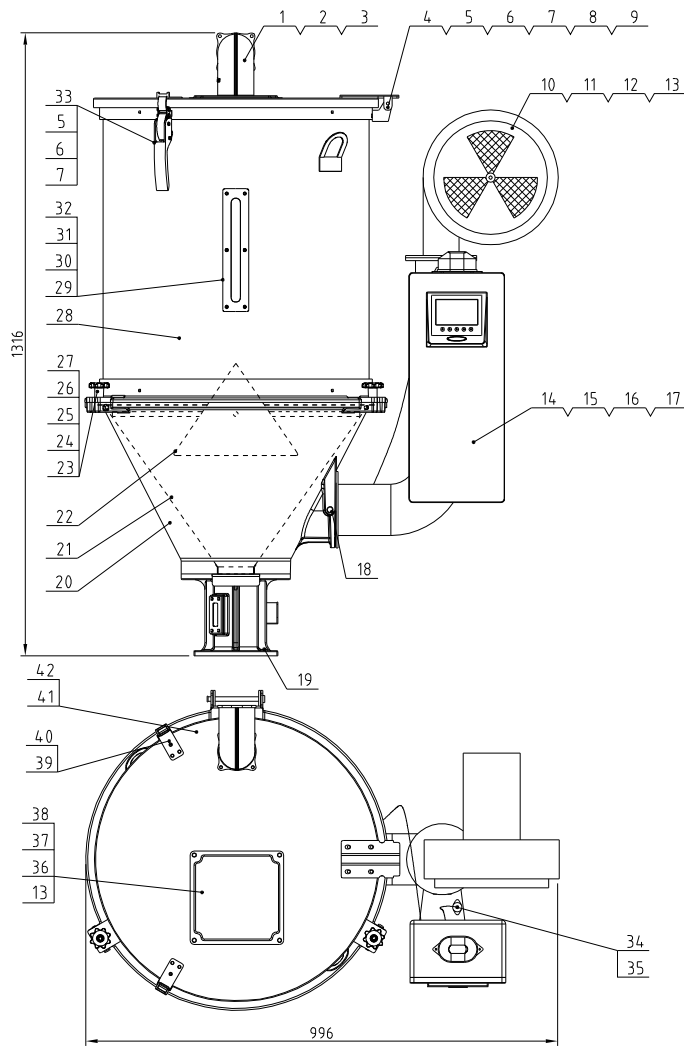
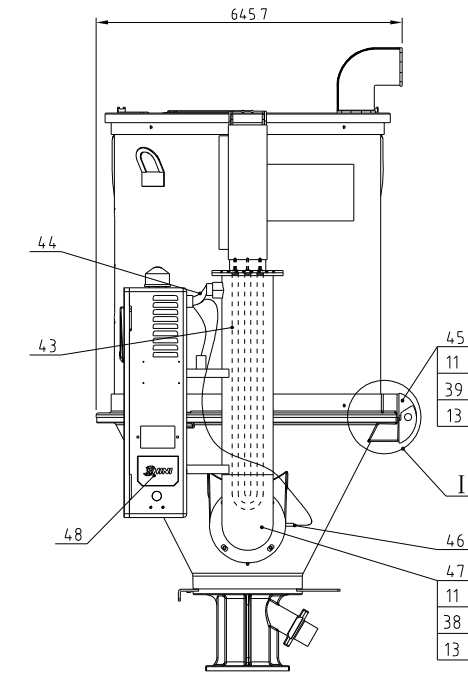
					制图	版号	标题	图号	比例	1:2	数量	1
					设计	核准	AIF-50EB	AIF-50EB-ALL		材质		
				校对		风机入口过滤器		表面要求				
标记	更改前	更改后	更改人	日期	审核	日期	20200522	信易電熱機械股份有限公司 Shini Plastics Technologies, Inc.	物料号			



10	YW02003000400	Adjustable snap hook SAL-6U-A-35		1	
9	YW09050200000	Magnetic base hinge SCM-38-A-21/SGD-A-12 (ver.0)(has mould)		1	
8	YW01005000100	Magnetic base spring SHD-50-A-101		1	
7	YW70097500000	Sight glass 50KG($\phi 97 \times 5$ mm)SHD-50-A-106(ver.C)		1	
6	BA10005000210	Magnetic base mirror frame SHD-50-A-96-0(processed)(has mould)		1	
5	BA20005000310	Magnetic base SHD-50-A-51(processed)(has mould)		1	
4	YW07001200000	Large shut-off plate HB-12-A-02(ver.A)(has mould)		1	
3	YW69616100000	Manual screw M6 \times 16		1	
2	YA10005000100	Discharge port (has mould) SEHD-50-ALL-03(ver.0)		1	
1	YW09125000000	Small shut-off plate HB-12/50 T:1.4mm HB-12-A-03(ver.0)(has mould)		1	

序号	代号	名称	材质	数量	备注
----	----	----	----	----	----

					制图		版号		标题	MB-50	图号	比例	1:5	数量	1
					设计		核准			磁力底座	MB-50-ALL				
					校对				信易電熱機械股份有限公司 Shini Plastics Technologies, Inc.				表面要求		
标记	更改前	更改后	更改人	日期	审核	日期	20130108	物料号							

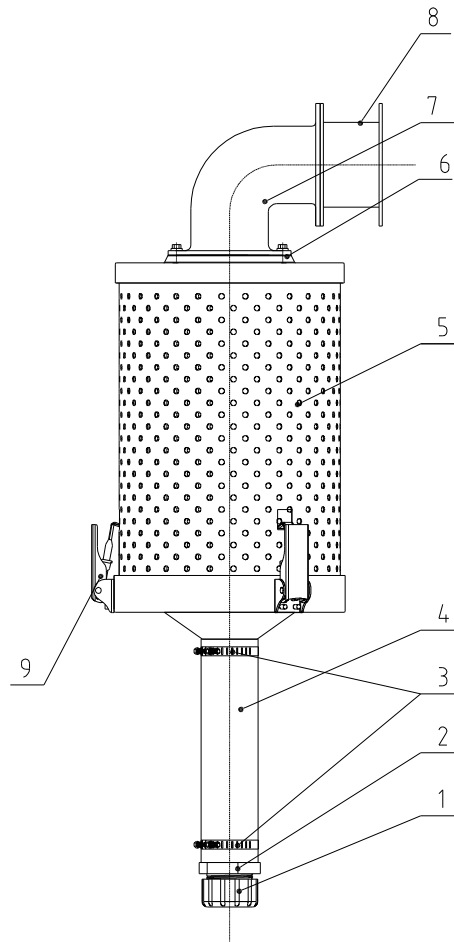


4.9	YR20861000100	Silica gel 104 (100/200/400) Longfine	silical gel	188mm
4.8	YR40485500100	Combinator injection molding plastic SHD-100E	ABS+30%PC	1
4.7	YL01100000200	Hot air pipe SHD-100E	Weldment	1

Blower power		Heater pipe power	Hopper capacity	Ver
50Hz:0.2kW	60Hz:0.24kW	6kW	100kg	Ver.D

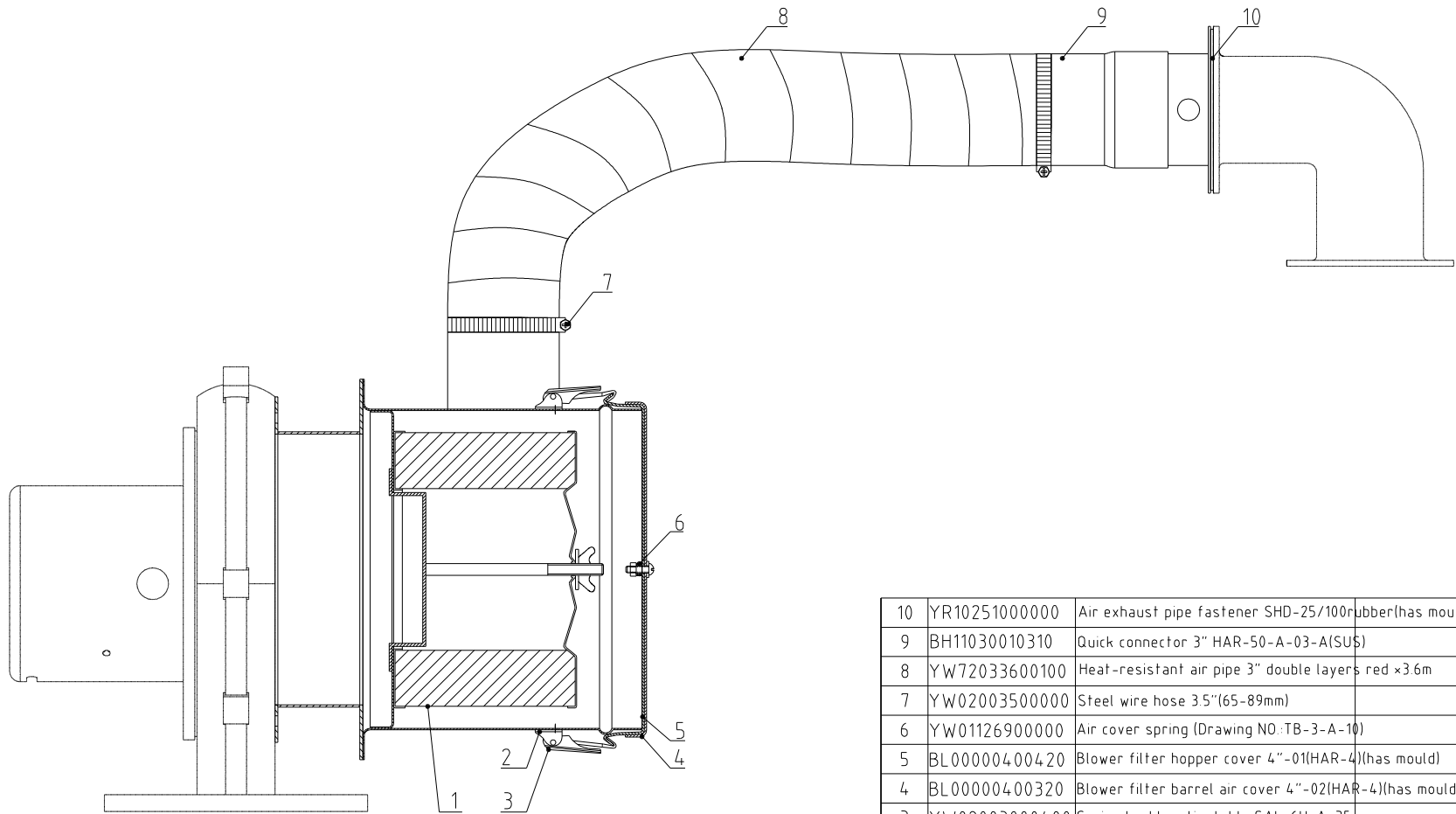
4.6	YE90056500700	Temperature sensor SHD-100E	assembly	1
4.5	YW90010000200	Upper hopper SHD-100E	assembly	1
4.4	YE60122000100	Upper hopper SHD-100E	assembly	1
4.3	BH70103800050	Hot air pipe SHD-100E	assembly	1
4.2	YR10010040000	Over heater SHD-100E	white silica gel	1
4.1	YW90010002800	Upper cover SHD-100E	SPCC15	1
4.0	YW62061000000	Large cover SHD-100E		6
3.9	BL01121400120	Hot air pipe SHD-100E	SUS201	2
3.8	YW66081600000	Flat washer 6x19x2.0		12
3.7	YW60083000200	Spring washer 6/13		4
3.6	BW09202000000	Support plate SHD-100E	SPCC10	1
3.5	YW67030800000	Cover panel SHD-100E		2
3.4	BE85018000350	Injection molding plastic SHD-100E	assembly	1
3.3	YW00121000000	Handle SHD-100E	assembly	2
3.2	YW64000500000	Hexagonal nut M5		6
3.1	BW09000630040	6x hole plate SHD-100E	SPCC2.0	1
3.0	YR40001200000	Logic air valve SHD-100E	PC	1
2.9	YR40000600000	Logic air valve SHD-100E	rubber	1
2.8	SHD-100E-A-01	Material storage tank	assembly	1
2.7	YW66000600000	Open check ring GR/7896 6		2
2.6	YW90661003800	Long hinge 66 (100/200/400)	Q235	2
2.5	YW66103200000	Flat washer 6 grade 6/13		2
2.4	YW900012004.00	Ball air ring SHD-100E	Q235	2
2.3	YW90001200300	Ball air ring SHD-100E	Zinc alloy	2
2.2	BL01100600220	Upper screen SHD-100E	SUS201	1
2.1	YL01010000200	Lower screen SHD-100E	SUS201	1
2.0	YW20100003700	Upper SHD-100E	AC4B	1
1.9	BY10010000850	Base assembly SHD-100E	assembly	1
1.8	YW80010200100	plug 1/4		1
1.7	YW67042000600	Cover panel SHD-100E		2
1.6	YW67040600600	Cover panel SHD-100E		4
1.5	YW67051000700	Cover panel SHD-100E		4
1.4	BL01500200121	Control box SHD-100E	SPCC1.0	1
1.3	YW65008000100	Standard spring washer 6/13		16
1.2	YW66081900000	Flat washer 6x19x2.0		4
1.1	YW60082500100	Spring washer 6/13		12
1.0	YM40340000200	Motor 1/100W	assembly	1
9	YW64000800100	Hex-socket hexagon nut 6/16		2
8	YW60830000000	Hex-socket hexagon nut 6/16		2
7	YW65006000100	Standard spring washer 6/13		8
6	YW66061300000	Flat washer 6 grade 6/13		8
5	YW60061200000	Spring washer 6/13		8
4	YW90010000100	Upper cover SHD-100E	assembly	1
3	YW63061500000	Cover panel SHD-100E		4
2	YR10500900300	Hot air pipe SHD-100E	rubber	1
1	BA10500707010	Hot air pipe SHD-100E	AC4B	1

标记	更改前	更改后	更改人	日期	制图	版号	标题	图号	比例	1:10	数量	备注
					设计	核准	SHD-100E		1:10			
					校对		料斗干燥机					
					审核		SHINI 信易电热机械股份有限公司 Shini Plastics Technologies, Inc.					
								表面要求				
							物料号					



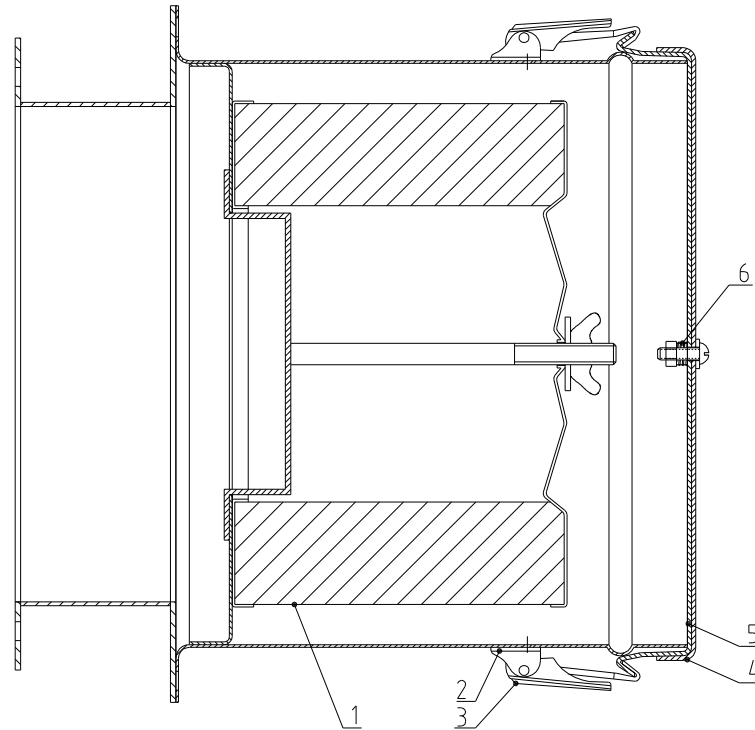
9	YW02003000400	Spring buckle adjustable SAL-6U-A-35(Ver.C)		3	
8	BL90000200120	Adaptor flange ADC-2EB-A-01(Ver.0)		1	
7	YW20002507000	Air exhaust pipe SHD-25EB-A-03(ver.0)(Longfeng)		1	
6	YR10251000000	Air exhaust pipe fastener SHD-25/100rubber(has mould)		2	
5	YR50181100000	Filter ADC2 rubber fastenre (SMD-1000H-A-ALL-09) Ver.0		1	
4	YE66515800000	PVC transparent hose 2" inner dia. 50mm×0.8mm		1	
3	YW02002500000	Stainless steel pipe clamp 2.5" (40-64mm)		2	
2	YR40012500000	Plastics connector 1.25"		1	
1	YR40000000100	Bottom plug ADC-1-A-05 ver.0 (has mould)		1	
序号	代号	名称	材质	数量	备注

					制图	版号	标题	ADC-2EB	图号	ADC-2EB-ALL	比例	1:6	数量	1
					设计	核准	排风空气滤清器					材质		
					校对		SHINI 信易電熱機械股份有限公司 Shini Plastics Technologies, Inc.				表面要求			
标记	更改前	更改后	更改人	日期	审核	日期						物料号		



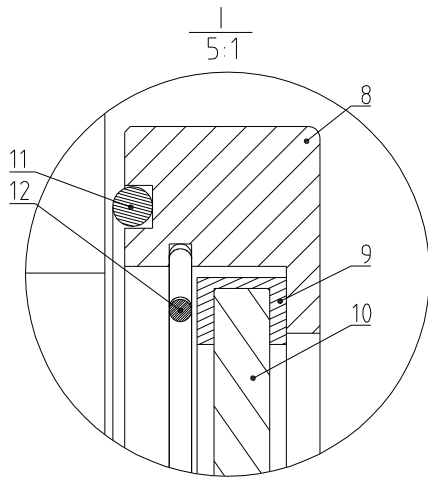
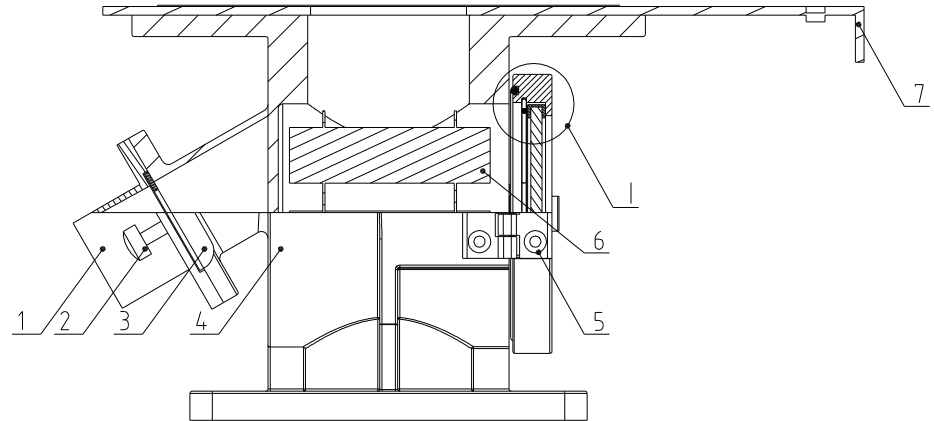
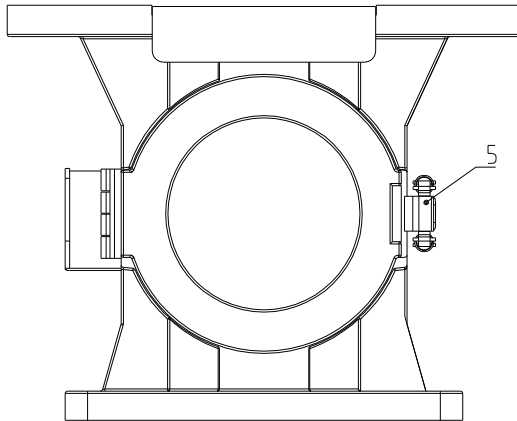
10	YR10251000000	Air exhaust pipe fastener SHD-25/100	rubber(has mould)	1	
9	BH11030010310	Quick connector 3" HAR-50-A-03-A(SUS)		1	
8	YW72033600100	Heat-resistant air pipe 3" double layers red	×3.6m	0.35	
7	YW02003500000	Steel wire hose 3.5"(65-89mm)		2	
6	YW01126900000	Air cover spring (Drawing NO.:TB-3-A-10)		1	
5	BL000004.004.20	Blower filter hopper cover 4"-01(HAR-4)	(has mould)	1	
4	BL000004.003.20	Blower filter barrel air cover 4"-02(HAR-4)	(has mould)	1	
3	YW020030004.00	Spring buckle adjustable SAL-6U-A-35		2	
2	YR40000600800	Snap hook plastic block SAL-6U(white)	(has mould)	2	
1	YR50708000100	Filter 189×115×125 SAL-700G-A-20(ve.01)	(Rubber fastener)	1	
序号	代号	名称	材料	数量	备注

					制图	黄学明	版号	0	标题	HAR-100EB	图号	HAR-100EB-A-ALL	比例	1:4	数量	1
					设计	黄学明	核准			熱風回收器				材质		
					校对								表面要求			
标记	更改前	更改后	更改人	日期	审核		日期	20200917		信易電熱機械股份有限公司	Shini Plastics Technologies, Inc.		物料号			



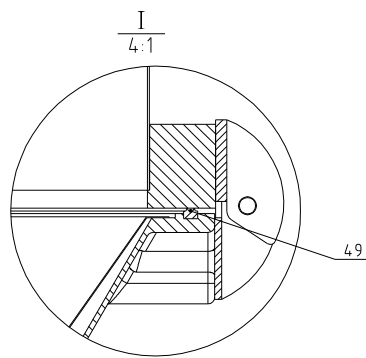
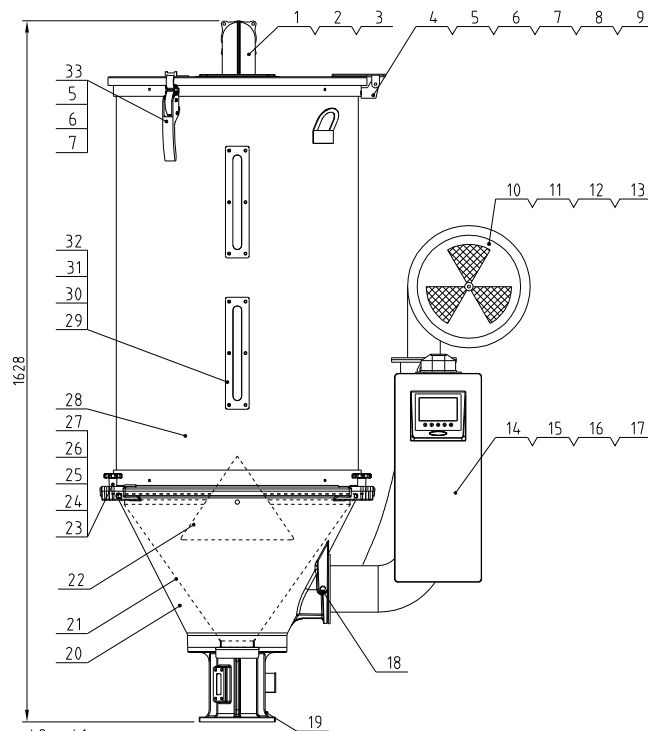
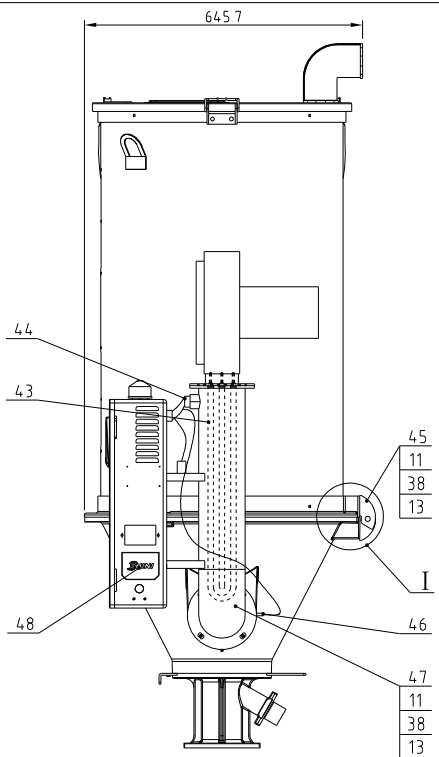
6	YW01126900000	Air cover spring (Drawing number:TB-3-A-10)	1		
5	BL00000400420	Blower Filter hopper cover 4"-01(HAR-4)(has mould)	1		
4	BL00000400320	Blower filter barrel air cover 4"-02(HAR-4)(has mould)	1		
3	YW02003000400	Spring buckle adjustable SAL-6U-A-35	2		
2	YR40000600800	Snap hook plastic block SAL-6U(white)(has mould)	2		
1	YR50708000100	Filter 189×115×125 SAL-700G-A-20(ver.0)(Rubber fastener)	1		
序号	代号	名称	材料	数量	备注

					制图	版号	标题	图号	比例	1:2.5	数量	1	
					设计	核准	AIF-100EB 风机入口过滤器	AIF-100EB-A-ALL		材质			
					校对		信易電熱機械股份有限公司 Shini Plastics Technologies, Inc.					表面要求	
标记	更改前	更改后	更改人	日期	审核	日期						20200917	物料号



12	YA10030408000	Magnetic base 304 clamp 25-150KG(Longfeng)	1		
11	YA10254008800	Magnetic base oil seal 25-150KG(Longfeng)	1		
10	YA10254008000	Magnetic base glass 25-150KG(Longfeng)	1		
9	YA10040008800	Magnetic base glass rubber ring25-150KG(Longfeng)MB-100EB-A-01(Ver 0)	1		
8	YA10251508000	Magnetic base aluminum ring 25-150KG(Longfeng)	1		
7	YW90010002900	Large drag board HB-100EB-A-02(Ver 0)(width 100)(Longfeng)20 block/Box	1		
6	BA90251508010	Magnetic frame 25-150KG(Longfeng)40 Pieces/box	1		
5	YW09254008000	Magnetic base hinge /Buckle 25-400KG(Longfeng)	1		
4	BW20101500010	Magnetic base 100-150KG(Longfeng)(Painted)	1		
3	YW90125003000	Small drag board HB-12EB-A-03(Ver 0)(width 50)100 block/Box	1		
2	YW69616100000	Hand screw M6×16×16	1		
1	YW20255001000	Discharge port HB-25EB-A-02(ver. A)(Longfeng)	1		
序号	代号	名称	材质	数量	备注

					制图	版号	标题	图号	比例	1:3	数量	1
					设计	核准	MB-100EB 磁力底座	MB-100EB-ALL		材质		
					校对		信易電熱機械股份有限公司 Shini Plastics Technologies, Inc.		表面要求			
标记	更改前	更改后	更改人	日期	审核	日期			20200522	物料号		

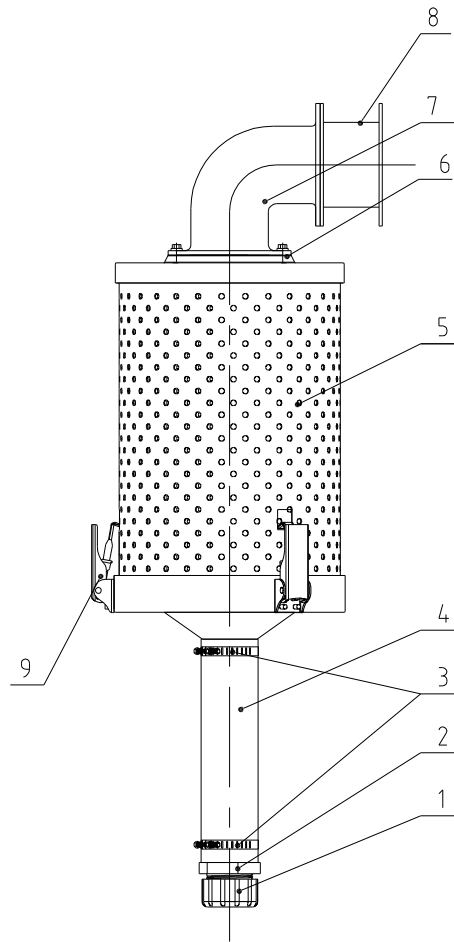


Blower power	Heater pipe power	Hopper capacity	Ver.
50Hz:0.2kW 60Hz:0.24kW	6.6kW	150kg	Ver.D

46	YE90056500700	Blower 1450W, 11 Motor (SUS-316L) Ver.0	assembly	1	
45	YW90010000200	Upper hopper SUS-316L 1450W heating ver.0 long ver.0 long ver.0	assembly	1	
44	YE60122000100	Upper motor SUS-316L 1450W heating ver.0 long ver.0 long ver.0	assembly	1	
43	BH70153800050	Upper motor SUS-316L 1450W heating ver.0 long ver.0 long ver.0	assembly	1	
42	YR10010040000	Cover heater SUS-316 white silica gel (has mold)	white silica gel	1	
41	YW90010002800	Hopper cover SUS-316L 1450W heating ver.0 long ver.0 long ver.0	SPCC15	1	
40	YW67061000000	Cover motor SUS-316L 1450W heating ver.0 long ver.0 long ver.0		6	
39	BL0121400120	Heat insul SUS-316L 1450W heating ver.0 long ver.0 long ver.0	SUS201	2	
38	YW66081600000	Flat washer 6x19x2.0 Longzine		16	
37	YW60083000200	Hopper cover belt Q/2533 16x5-12.5 Longzine		4	
36	BW09202000000	Support plate SUS-316L 1450W heating ver.0 long ver.0 long ver.0	SPCC10	1	
35	YW67030800000	Cover motor SUS-316L 1450W heating ver.0 long ver.0 long ver.0		2	
34	BE85018000350	Upper motor SUS-316L 1450W heating ver.0 long ver.0 long ver.0	assembly	1	
33	YW00121000000	Insulation SUS-316L 1450W heating ver.0 long ver.0 long ver.0	assembly	2	
32	YW64000500000	Hexagonal nut M5 anti-loose		6	
31	BW09000630040	Support plate SUS-316L 1450W heating ver.0 long ver.0 long ver.0	SPCC2.0	2	
30	YR40001200000	Upper motor SUS-316L 1450W heating ver.0 long ver.0 long ver.0	PC	2	
29	YR40000600000	Upper motor SUS-316L 1450W heating ver.0 long ver.0 long ver.0	Rubber	2	
28	SHD-150E-A-01	Material storage tank	assembly	1	
27	YW66000600000	E-rings GB/T896 6		2	
26	YW90661003800	Long hinge Q/2533 16x5-12.5 Longzine	Q235	2	
25	YW66103200000	Long motor 1 grade Q/2533 16x5-12.5 Longzine		2	
24	YW90001200400	Ball star ring SUS-316L 1450W heating ver.0 long ver.0 long ver.0	Q235	2	
23	YW90001200300	Ball star ring SUS-316L 1450W heating ver.0 long ver.0 long ver.0	Zinc alloy	2	
22	BL0100600220	Upper screen SUS-316L 1450W heating ver.0 long ver.0 long ver.0	SUS201	1	
21	YL01010000200	Lower screen SUS-316L 1450W heating ver.0 long ver.0 long ver.0	SUS201	1	
20	YW20100003700	Hopper SUS-316L 1450W heating ver.0 long ver.0 long ver.0	AC4B	1	
19	BY10010000850	Base assembly SUS-316L 1450W heating ver.0 long ver.0 long ver.0	assembly	1	
18	YW80010200100	plug 1/4		1	
17	YW67042000600	Cover motor SUS-316L 1450W heating ver.0 long ver.0 long ver.0		2	
16	YW67040600600	Cover motor SUS-316L 1450W heating ver.0 long ver.0 long ver.0		4	
15	YW67051000700	Cover motor SUS-316L 1450W heating ver.0 long ver.0 long ver.0		4	
14	BL01500200121	Control box SUS-316L 1450W heating ver.0 long ver.0 long ver.0	SPCC10	1	
13	YW65008000100	Standard spring washer Q/2533 F-Longzine		20	
12	YW66081900000	Flat washer 6x19x2.0 Longzine		4	
11	YW60082500100	Hopper cover belt Q/2533 16x5-12.5 Longzine		16	
10	YM40340000200	Motor 1' (100) 1450W heating ver.0 long ver.0 long ver.0	assembly	1	
9	YW64000800100	Hex-nut inner hexagon nut Q/7883.1 B		2	
8	YW60830000000	Hopper motor SUS-316L 1450W heating ver.0 long ver.0 long ver.0		2	
7	YW65006000100	Standard spring washer Q/2533 F-Longzine		8	
6	YW66061300000	Flat washer 6x19x2.0 Longzine		8	
5	YW60061200000	Hopper cover belt Q/2533 16x5-12.5 Longzine		8	
4	YW90010000100	Hopper cover SUS-316L 1450W heating ver.0 long ver.0 long ver.0	assembly	1	
3	YW63061500000	Cover motor SUS-316L 1450W heating ver.0 long ver.0 long ver.0		4	
2	YR10500900300	Upper motor SUS-316L 1450W heating ver.0 long ver.0 long ver.0	rubber	1	
1	BA10500707010	Ball star ring SUS-316L 1450W heating ver.0 long ver.0 long ver.0	AC4B	1	

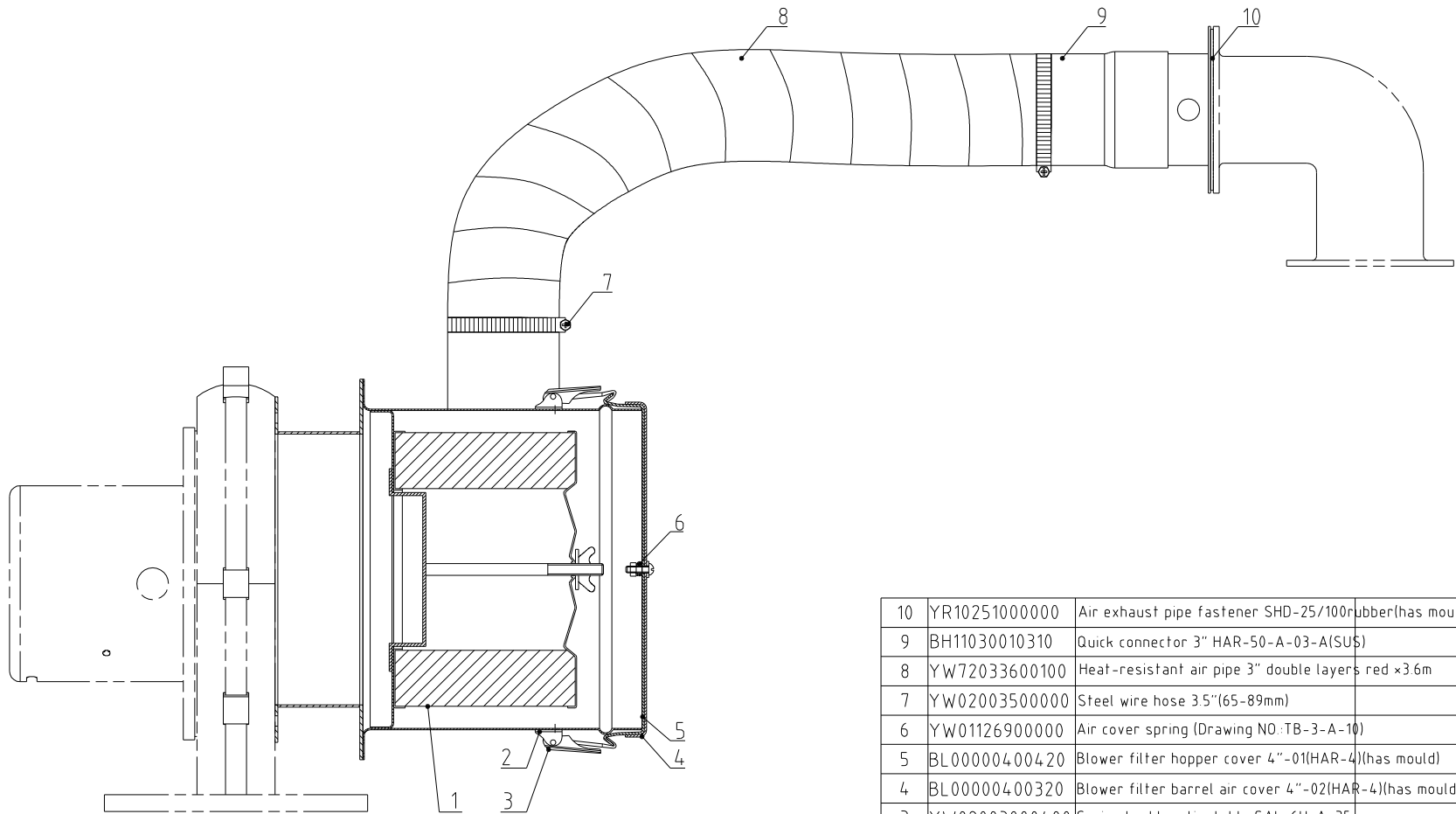
4.9	YR20861000100	Seal silica gel Q/4100/200/400 Longzine	Silica gel	188M	
4.8	YR40485500100	Insulation ABS-30%PC	ABS-30%PC	1	
4.7	YL01100000200	Ball star ring SUS-316L 1450W heating ver.0 long ver.0 long ver.0	Weldment	1	

制图	版号	标题	SHD-150E	图号	
设计	核准	料斗干燥机		比例	1:11
校对	日期	SHINI 信易电热机械股份有限公司 Shini Plastics Technologies, Inc.		数量	
标记	更改前	更改后	更改人	日期	表面要求 物料号



9	YW02003000400	Spring buckle adjustable SAL-6U-A-35(Ver.C)	3		
8	BL90000200120	Adaptor flange ADC-2EB-A-01(Ver.0)	1		
7	YW20002507000	Air exhaust pipe SHD-25EB-A-03(ver.0)(Longfeng)	1		
6	YR10251000000	Air exhaust pipe fastener SHD-25/100rubber(has mould)	2		
5	YR50181100000	Filter ADC2 rubber fastenre (SMD-1000H-A-ALL-09) Ver.0	1		
4	YE66515800000	PVC transparent hose 2" inner dia. 50mm×0.8mm	1		
3	YW02002500000	Stainless steel pipe clamp 2.5" (40-64mm)	2		
2	YR40012500000	Plastics connector 1.25"	1		
1	YR40000000100	Bottom plug ADC-1-A-05 ver.0 (has mould)	1		
序号	代 号	名 称	材 质	数 量	备 注

					制图	版号	标题	图号	比例	1:6	数量	1
					设计	核	排风空气滤清器	ADC-2EB-ALL		材质		
					校对	准	SHINI 信易電熱機械股份有限公司 Shini Plastics Technologies, Inc.	表面要求				
标记	更改前	更改后	更改人	日期	审核	日期				物料号		

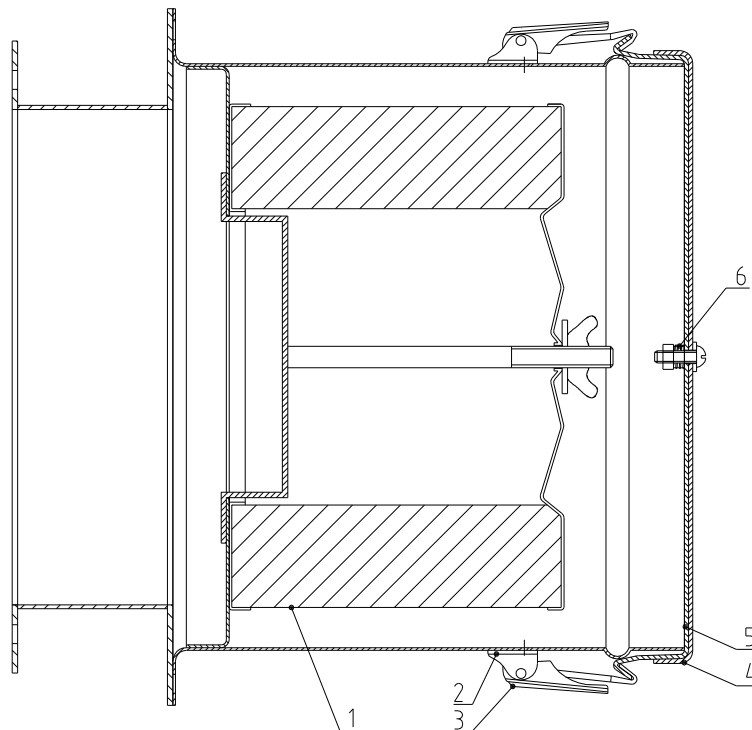


10	YR10251000000	Air exhaust pipe fastener SHD-25/100	rubber(has mould)	1	
9	BH11030010310	Quick connector 3" HAR-50-A-03-A(SUS)		1	
8	YW72033600100	Heat-resistant air pipe 3" double layers red x3.6m		0.35	
7	YW02003500000	Steel wire hose 3.5"(65-89mm)		2	
6	YW01126900000	Air cover spring (Drawing NO.:TB-3-A-10)		1	
5	BL000004.00420	Blower filter hopper cover 4"-01(HAR-4)(has mould)		1	
4	BL000004.00320	Blower filter barrel air cover 4"-02(HAR-4)(has mould)		1	
3	YW02003000400	Spring buckle adjustable SAL-6U-A-35		2	
2	YR40000600800	Snap hook plastic block SAL-6U(white)(has mould)		2	
1	YR50708000100	Filter 189x115x125 SAL-700G-A-20(ve.01)(Rubber fastener)		1	
序号	代号	名称	材料	数量	备注

					制图	黄学明	版号	0	标题	HAR-100EB	图号	HAR-100EB-A-ALL	比例	1:4	数量	1
					设计	黄学明	核准			熱風回收器						
					校对											
标记	更改前	更改后	更改人	日期	审核		日期	20200917					表面要求			
													物料号			

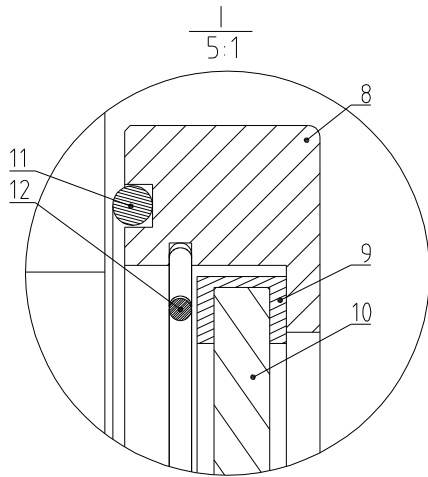
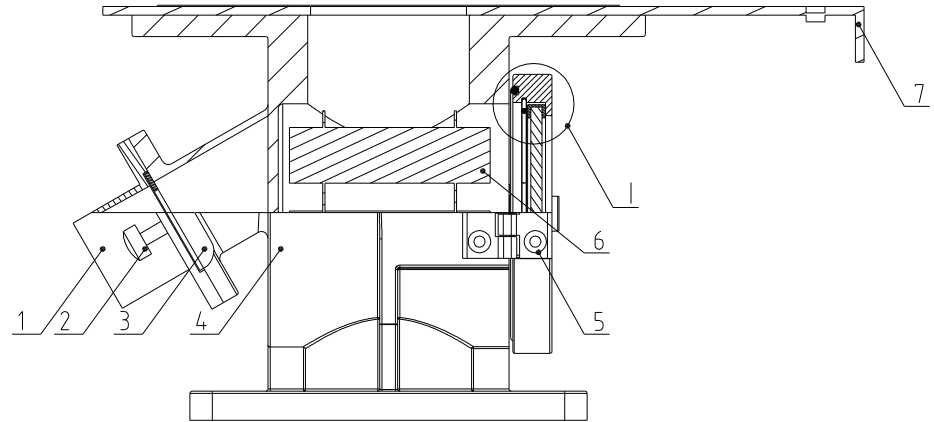
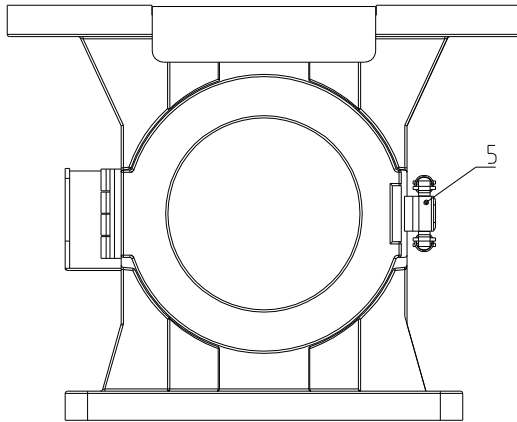


信易電熱機械股份有限公司
Shini Plastics Technologies, Inc.



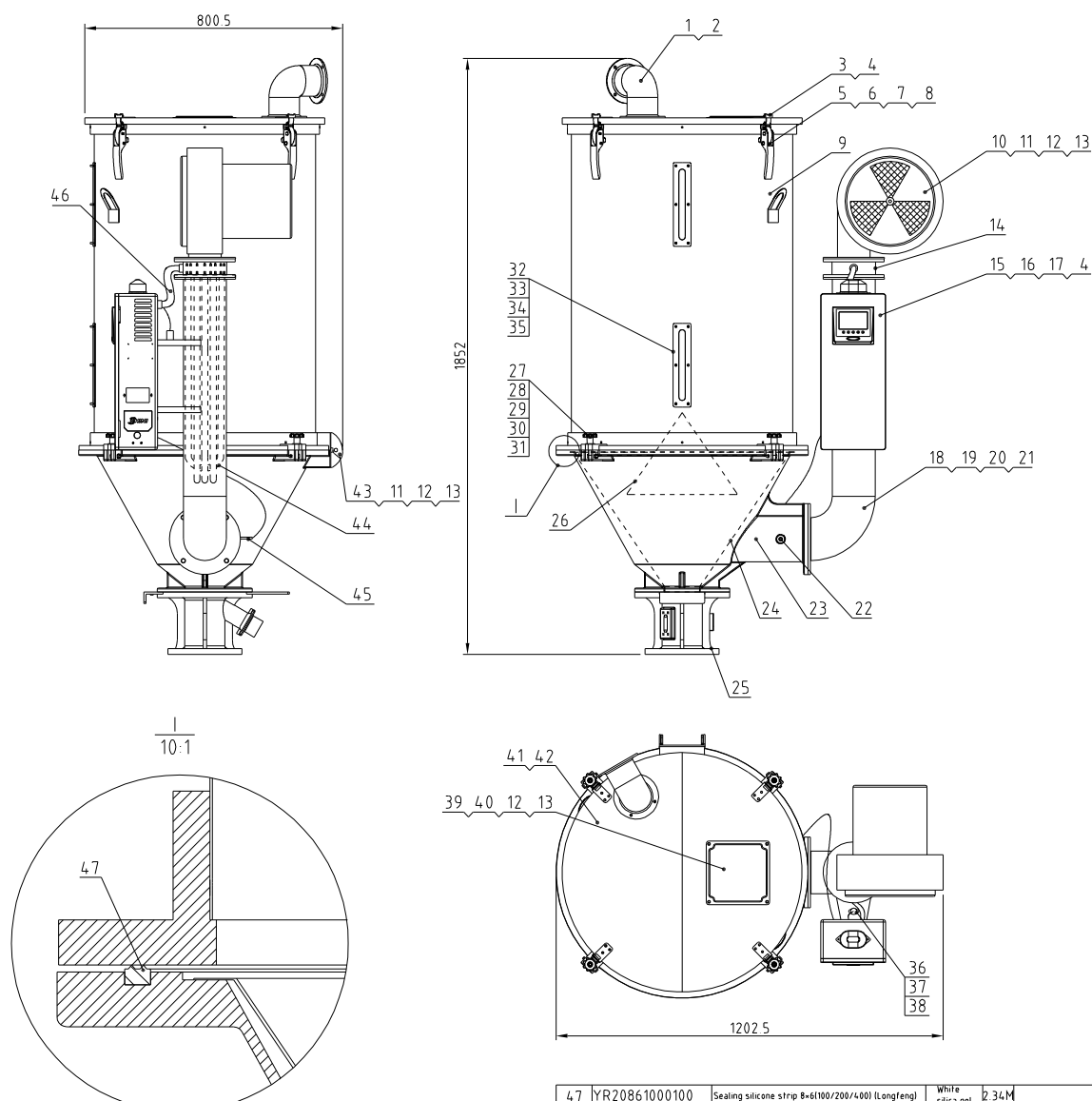
6	YW01126900000	Air cover spring (Drawing number:TB-3-A-10)	1		
5	BL00000400420	Blower Filter hopper cover 4"-01(HAR-4)(has mould)	1		
4	BL00000400320	Blower filter barrel air cover 4"-02(HAR-4)(has mould)	1		
3	YW02003000400	Spring buckle adjustable SAL-6U-A-35	2		
2	YR40000600800	Snap hook plastic block SAL-6U(white)(has mould)	2		
1	YR50708000100	Filter 189×115×125 SAL-700G-A-20(ver.0)(Rubber fastener)	1		
序号	代号	名称	材料	数量	备注

					制图	版号	标题	图号	比例	1:2.5	数量	1
					设计	核准	AIF-100EB	AIF-100EB-A-ALL		材质		
				校对		风机入口过滤器		表面要求				
标记	更改前	更改后	更改人	日期	审核	日期	信易電熱機械股份有限公司 Shini Plastics Technologies, Inc.			物料号		



12	YA10030408000	Magnetic base 304 clamp 25-150KG(Longfeng)	1		
11	YA10254008800	Magnetic base oil seal 25-150KG(Longfeng)	1		
10	YA10254008000	Magnetic base glass 25-150KG(Longfeng)	1		
9	YA10040008800	Magnetic base glass rubber ring25-150KG(Longfeng)MB-100EB-A-01(Ver 0)	1		
8	YA10251508000	Magnetic base aluminum ring 25-150KG(Longfeng)	1		
7	YW90010002900	Large drag board HB-100EB-A-02(Ver 0)(width 100)(Longfeng)20 block/Box	1		
6	BA90251508010	Magnetic frame 25-150KG(Longfeng)40 Pieces/box	1		
5	YW09254008000	Magnetic base hinge /Buckle 25-400KG(Longfeng)	1		
4	BW20101500010	Magnetic base 100-150KG(Longfeng)(Painted)	1		
3	YW90125003000	Small drag board HB-12EB-A-03(Ver 0)(width 50)100 block/Box	1		
2	YW69616100000	Hand screw M6×16×16	1		
1	YW20255001000	Discharge port HB-25EB-A-02(ver. A)(Longfeng)	1		
序号	代号	名称	材质	数量	备注

					制图	版号	标题	图号	比例	1:3	数量	1
					设计	核准	MB-100EB 磁力底座	MB-100EB-ALL		材质		
					校对		信易電熱機械股份有限公司 Shini Plastics Technologies, Inc.			表面要求		
标记	更改前	更改后	更改人	日期	审核	日期				20200522	物料号	

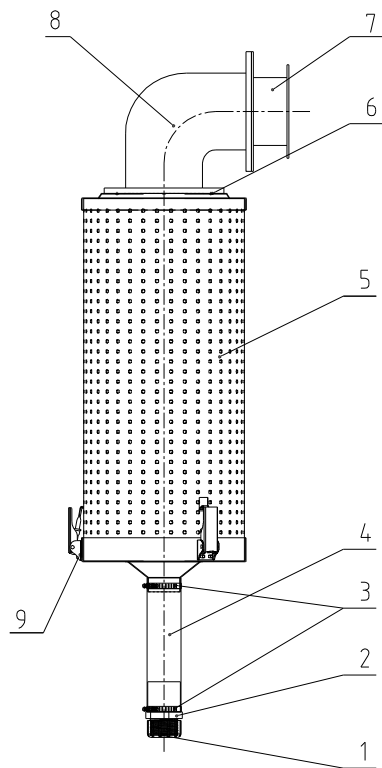


Blower Power	Pipe Heater Power	Hopper Capacity	Machine Version
50Hz-0.35kW	60Hz-0.42kW	12kW	200kg
			Ver.D

46	YE60122400100	High-grade plastic coated metal hose Φ102(MH) Two ends are connected with zinc alloy outer wire M28x15	Assembly	1	
45	YE90059301300	Thermocouple 5-93L-M8*2M pipe(SHD-600U-A-55 ver 0)	Assembly	1	
44	BH70020001450	Pipe heater SHD-200E-B-08(drawing ver 0 12KW/3.0 400V)	Assembly	1	
43	YW9020204003300	Hinge (large SHD-600E-A-09 drawing ver 0 Longfeng)	Assembly	1	
42	YR10010040000	Cover fastener SHD-100 white silica gel (has mould)	White silica gel	2	
41	YW90020002800	Hopper cover SHD-200E-A-06 (ver 0) Longfeng	SPCC18	1	
40	YW60083000200	Hex bolt GB/T5783 M8x30-8-Longzine		4	
39	BW09202000000	Square plate SEHD-100-A-09 (ver 0)(has mould)	SPCC10	1	
38	YW64000300100	Hex. nut GB/T6170 M3-Longzine		2	
37	YE50380000000	Umbrella screw M3*8(SUS304)		2	
36	BE85018000350	Thermal protector K188 centrifuge (wire 0 SHI (thermal protection normally open)(has rubber sleeve)	Assembly	1	
35	YW64000500000	Hex nut M5 anti-loose		12	
34	BW09000630040	Sight glass iron sheet six hole (chrome-plated) SEHD-12-A-16 (drawing ver 0)	SPCC20	2	
33	YR40001200000	Acrylic six-hole SEHD-12-A-12 (ver 0) Mat. PC (has mould)	PC	2	
32	YR40000600000	Sight glass iron sheet six hole (chrome-plated) SEHD-12-A-11 (drawing ver 0)	Rubber	2	
31	YW66000600000	Ring opening GB/T896 6		4	
30	YW90661003800	Horizontal pin 64100/200/400 (Longfeng) 100 pcs/bag	Q235	4	
29	YW66103200000	Large washer A grade GB/T96 1010 5x30x2.5 -Longzine		4	
28	YW90012400200	Star ring screw big 100/200/400 (Longfeng) 150set/case	Q235	4	
27	YW90012400100	Star ring nut big 100/200/400 (Longfeng) 150 set/case	kirsite	4	
26	BL01200800220	Upper screen SHD-200E-A-08 drawing ver 0	SUS201	1	
25	BY10020003850	Base assembly SHB-200EB (Long Feng)	AC4B	1	
24	YL01020000200	Lower screen assembly SHD-200E-A-07 drawing ver 0 Longfeng	SUS201	1	
23	YW20020001500	Lower screen assembly SHD-200E-A-03 drawing ver 0 Longfeng	AC4B	1	
22	YW80010200100	Plug 1/4		1	
21	YW65012000000	Standard spring washer GB/T93 12-Longzine		4	
20	YW66024130000	Large washer A grade GB/T971 1010 5x24x2.5 -Longzine		4	
19	YW60124500000	Hex bolt GB/T5783 M12x4.5-8-Longzine		4	
18	YW20020002100	Hot air pipe SHD-200E-A-05 drawing version 0 Longfeng	AC4B	1	
17	YW67042000600	Cross recessed pan head self-tapping set screw GB6560 M4-20-Longzine		2	
16	YW67040600600	Cross recessed pan head self-tapping set screw GB6560 M4-6-Longzine		4	
15	BL01050000120	Control box short box SEHD-500-ALL-28 (ver 0)	welding parts	1	
14	YW20020000200	Blower mount flange SHD-200E-A-02 drawing ver 0 Longfeng	AC4B	1	
13	YW66081600000	Flat washer A grade GB/T97 1010 4-16-Longzine		20	
12	YW65008000100	Standard spring washer GB/T93 8-Longzine		20	
11	YW60082500100	Hex bolt GB/T5783 M8x25-12 9-Longzine		20	
10	YM40020003200	Blower 4"1200E13 380V-4T5V50/60HZ/350W/420W	Assembly	1	
9	SHD-200E-A-09	Storage hopper body	Assembly	1	
8	YW65006000100	Standard spring washer GB/T93 6-Longzine		8	
7	YW66061300000	Flat washer A grade GB/T97 1.6-Longzine		8	
6	YW60061200000	Hex bolt GB/T5783 M6x12-12 9-Longzine		8	
5	YW00121000000	Handle SEHD-25-A-08 (ver 0)(has mould)	Assembly	4	
4	YW62061000000	Large cross recessed flat head screw JIS1111 M6x10-Longzine		16	
3	BL01121400120	Handle hook SHD-12E-A-16 (drawing ver 0)	SUS201	4	
2	YW63061500000	Cross recessed pan head screw GB/T-818 M6x15-Longzine		4	
1	YW20020001800	Exhaust air pipe SHD-200E-A-04 (ver 0)Longfeng	AC4B	1	

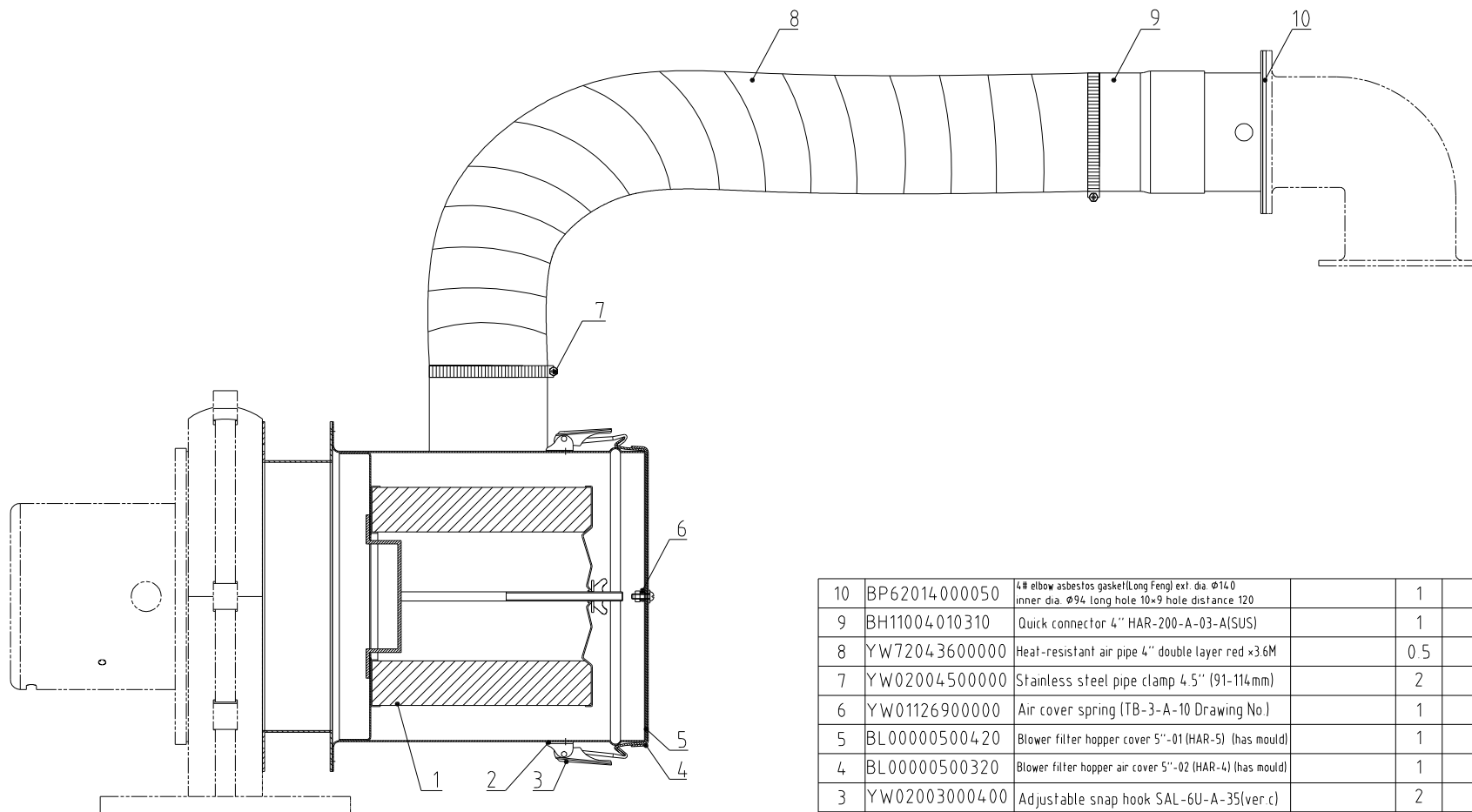
47	YR20861000100	Sealing silicone strip 8-6100/200/400 (Longfeng)	White silica gel	2.34M
----	---------------	--	------------------	-------

标记	更改前	更改后	更改人	日期	制图	版号	标题	图号	比例	1:14	数量	材质
					设计	核准	SHD-200E 料斗干燥机					
					校对		信易电热机械股份有限公司 Shini Plastics Technologies, Inc.					表面要求
					审核							
					日期	日期						



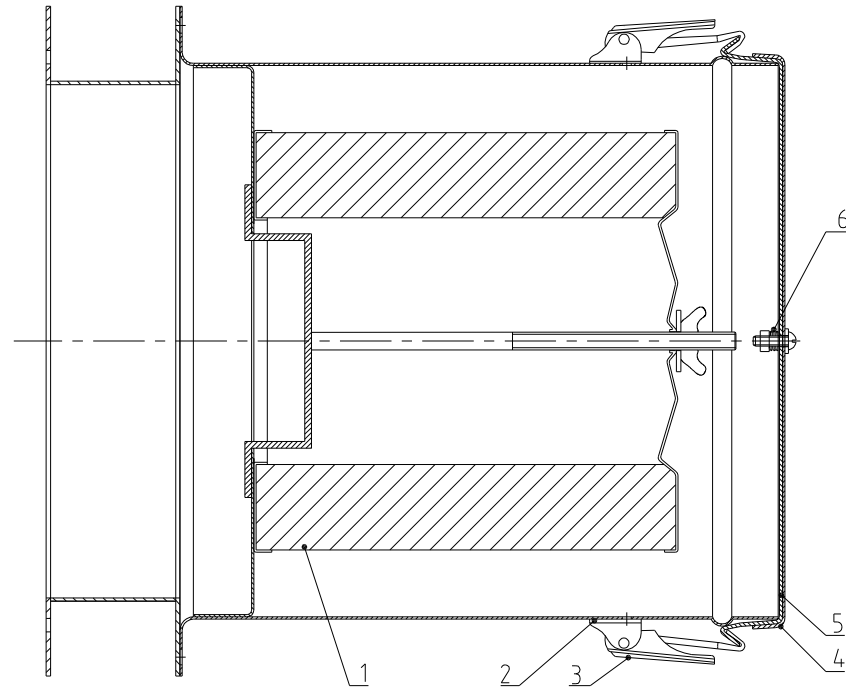
9	YW02003000400	Adjustable snap hook SAL-6U-A-35(ver.c)		3	
8	BA10020000210	Exhaust air pipe SEHD-200-A-14(200/1000)(ver.0)(painted)(has mould)		1	
7	BL90000300120	Adaptor flange ADC-3EB-A-01(ver.0)		1	
6	YR10204000000	Exhaust air pipe fastener SEHD-200-A-15(ver.0) rubber (has mould)		2	
5	YR50241400100	Filter ADC3 fastener rubber (SMD-2000H-A-ALL-11) ver.B		1	
4	YE66515800000	PVC hose 2" inner dia. 50mm x 0.8mm		1	
3	YW02002500000	Stainless steel pipe clamp 2.5"(40-64mm)		2	
2	YR40012500000	Plastic connector 1.25"		1	
1	YR40000000100	Bottom plug ADC-1-A-05 ver.0 (has mould)		1	
序号	代号	名称	材质	数量	备注

					制图		版号		标题	ADC-3EB	图号	ADC-3EB-ALL	比例	1:10	数量	1
					设计		核准		排风空气滤清器					材质		
					校对				SHINI 信易電熱機械股份有限公司 Shini Plastics Technologies, Inc.				表面要求			
标记	更改前	更改后	更改人	日期	审核		日期							物料号		



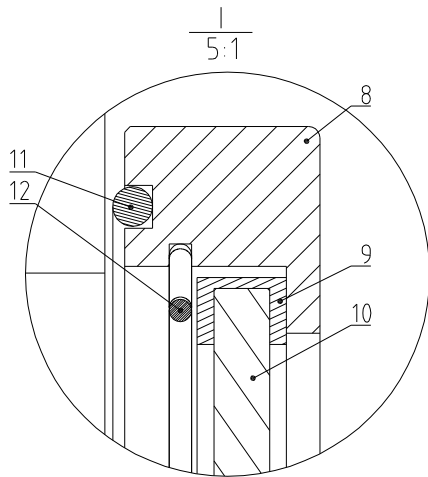
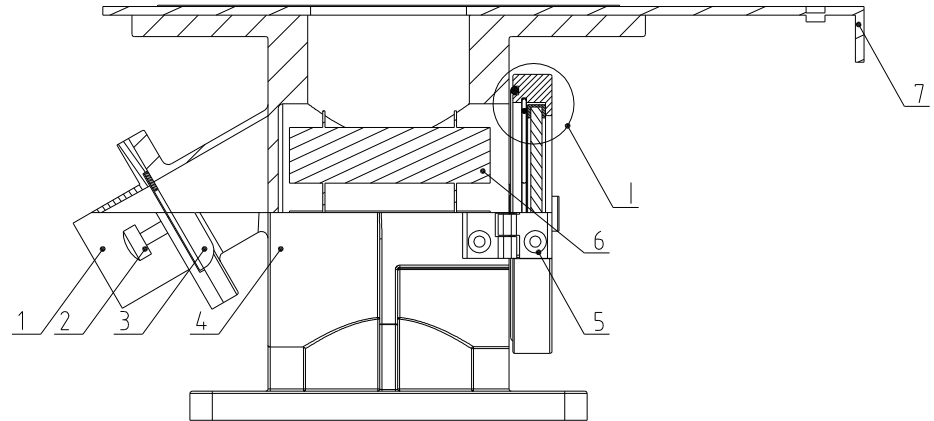
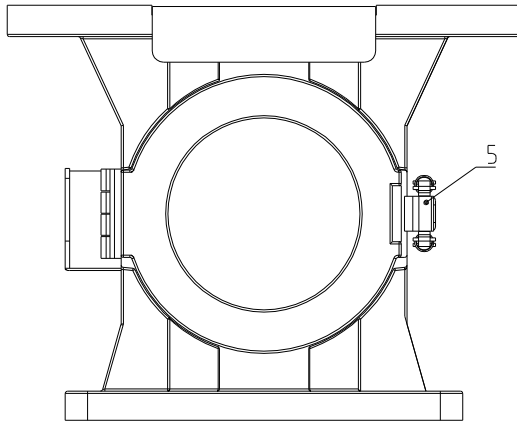
10	BP62014000050	4# elbow asbestos gasket(Long Feng) ext. dia. ϕ 14.0 inner dia. ϕ 9.4 long hole 10x9 hole distance 120		1	
9	BH11004010310	Quick connector 4" HAR-200-A-03-A(SUS)		1	
8	YW72043600000	Heat-resistant air pipe 4" double layer red \times 3.6M		0.5	
7	YW02004500000	Stainless steel pipe clamp 4.5" (91-114mm)		2	
6	YW01126900000	Air cover spring (TB-3-A-10 Drawing No.)		1	
5	BL00000500420	Blower filter hopper cover 5"-01 (HAR-5) (has mould)		1	
4	BL00000500320	Blower filter hopper air cover 5"-02 (HAR-4) (has mould)		1	
3	YW02003000400	Adjustable snap hook SAL-6U-A-35(ver.c)		2	
2	YR40000600800	Adjustable snap hook pad SAL-6U(whitel)(has mould)		2	
1	YR50181900000	Filter HAR ext. 188xinner 114/88xH191		1	
序号	代号	名称	材料	数量	备注

					制图	版号	标题	图号	比例	1:5	数量	1
					设计	核准	HAR-200EB	HAR-200EB-ALL		表面要求 物料号		
					校对	核准	热风回收器					
标记	更改前	更改后	更改人	日期	审核	日期	信易电热机械股份有限公司 Shini Plastics Technologies, Inc.					
						20200917						



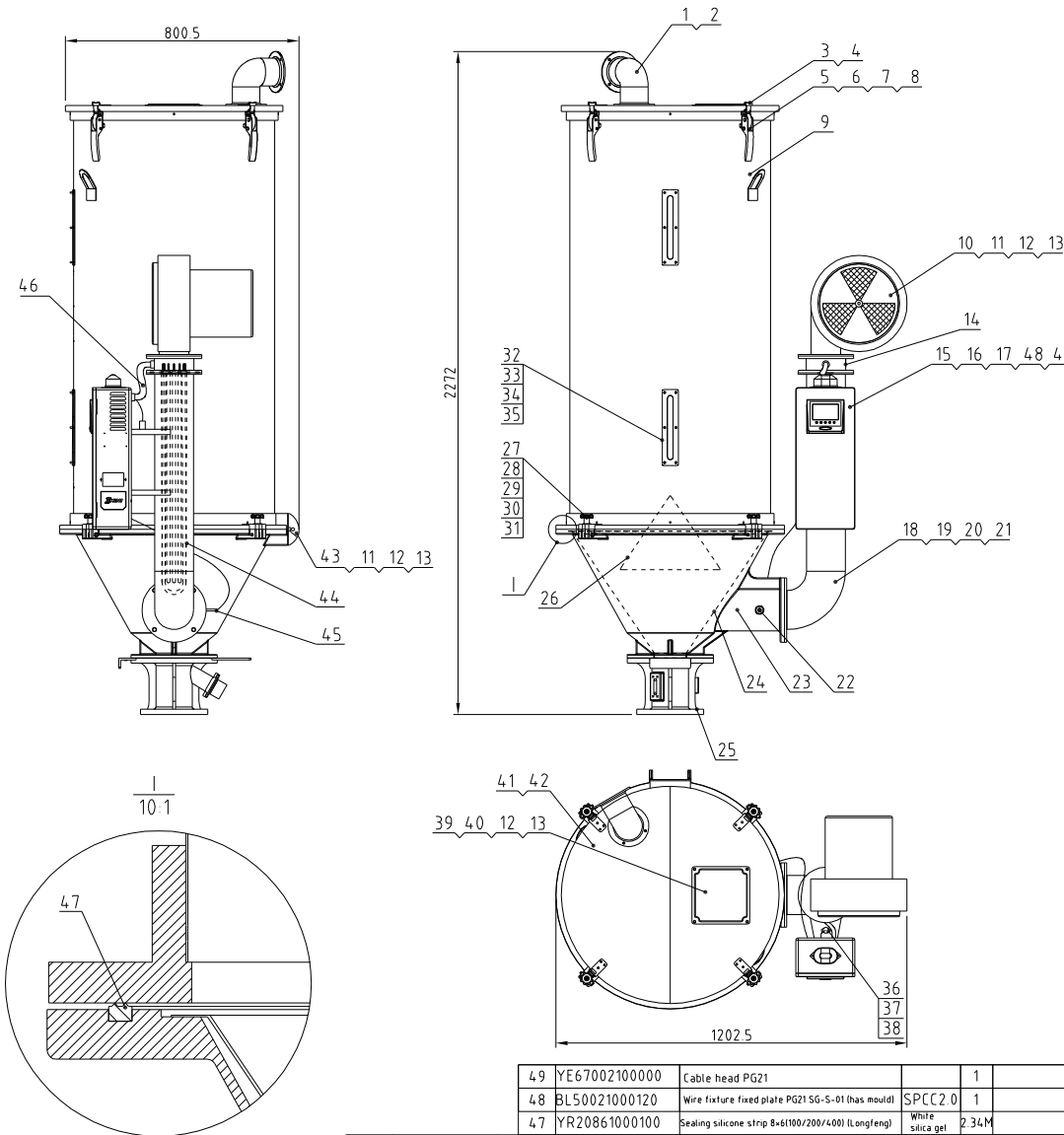
6	YW01126900000	Air cover spring (TB-3-A-10 Drawing No.)		1	
5	BL00000500420	Blower filter barrel cover 5"-01(HAR-5)(has mould)		1	
4	BL00000500320	Blower filter barrel air cover 5"-02(HAR-5)(has mould)		1	
3	YW02003000400	Adjustable snap hook SAL-6U-A-35(ver.c)		2	
2	YR40000600800	Adjustable snap hook pad SAL-6U(white)(has mould)		2	
1	YR50181900000	Filter HAR ext. 188×inner 114/88×H191		1	
序号	代号	名称	材料	数量	备注

					制图	版号	标题	图号	比例	1:3	数量	1
					设计	核准	AIF-200EB 风机入口过滤器	AIF-200EB-ALL		材质		
					校对		信易電熱機械股份有限公司 Shini Plastics Technologies, Inc.			表面要求		
标记	更改前	更改后	更改人	日期	审核	日期				20200917	物料号	




12	YA10030406000	Magnetic base 304 clamp 200-400KG(Long Feng)		1	
11	YA10203006000	Magnetic base oil seal 200/300(Long Feng)		1	
10	YA10204006000	Magnetic base glass 200-400KG(Long Feng)		1	
9	YA10240006000	Magnetic base glass rubber ring 200-400KG(Long Feng)		1	
8	YA10020008000	Magnetic base alu. ring 200KG (L) (Long Feng)		1	
7	YW90020002900	Large drag plate HB-200EB-A-03(ver.01/w.14.0)(Long Feng)		1	
6	BA90020008010	Magnetic frame 200 KG L (Long Feng)		1	
5	YW09254008000	Magnetic base hinge/lock 25-400KG(Long Feng)		1	
4	BW20020000710	Magnetic base 200KG(Long Feng) (painted)		1	
3	YW90020003000	Small drag plate HB-200EB-A-04(ver.01/w.60)		1	
2	YW69616100000	Manual screw M6×16×16		1	
1	YW20020001900	Discharge port HB-200EB-A-02(ver.A)(Long Feng)		1	
序号	代号	名称	材质	数量	备注

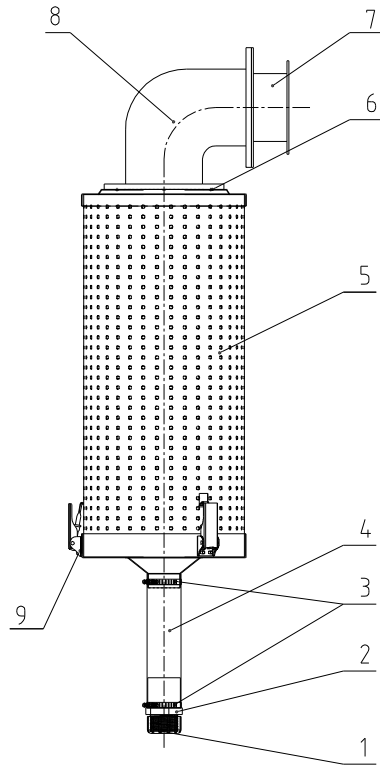
					制图	版号	标题	图号	比例	1:3	数量	1
					设计	核准	MB-200EB 磁力底座	MB-200EB-ALL			材质	
					校对		信易電熱機械股份有限公司 Shini Plastics Technologies, Inc.		表面要求			
标记	更改前	更改后	更改人	日期	审核	日期			20200522	物料号		



Blower Power		Pipe Heater Power	Hopper Capacity	Machine Version
50Hz:0.35kW	60Hz:0.42kW	15kW	300kg	Ver.D

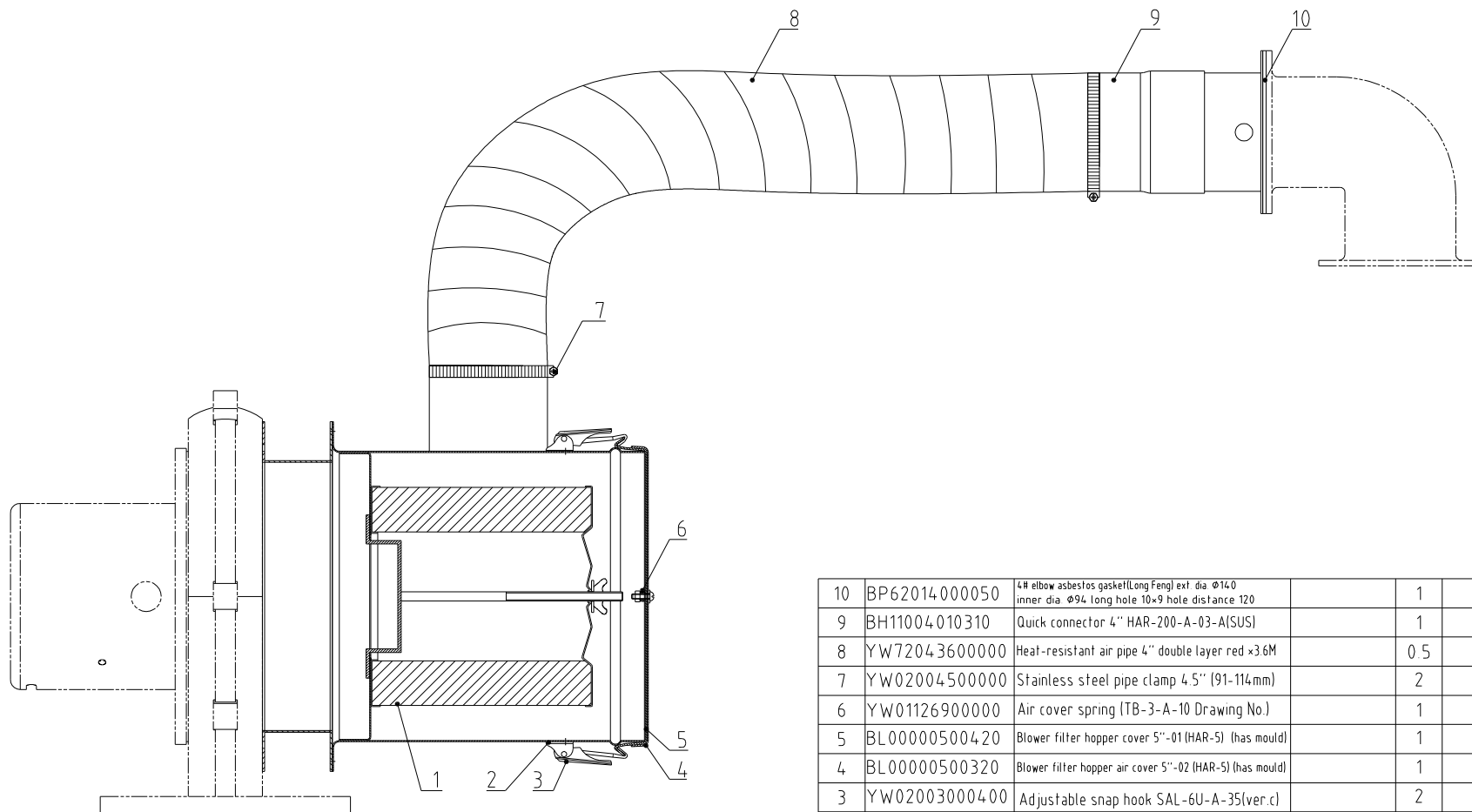
46	YE60122400100	High-grade plastic coated metal hose Φ122(4mm) Two ends are connected with zinc alloy outer wire M20-15	Assembly	1
45	YE90059301300	Thermocouple 5*93L-M8*2M pipe(SHD-600U-A-55 ver 0)	Assembly	1
44	BH70030001450	Pipe heater SHD-300E-B-07 drawing ver 0 15KW/3.0*4000	Assembly	1
43	YW90204003300	Hinge (large SHD-600E-A-03 drawing ver 0 Longfeng)	Assembly	1
42	YR10010040000	Cover fastener SHD-100 white silitical gel (has mould)	White silica gel	2
41	YW90020002800	Hopper cover SHD-200E-A-06 (ver 0) Longfeng	SPCC1.8	1
40	YW60083000200	Hex. bolt GB/T15783 M8x30-8.8-Longzine		4
39	BW09202000000	Square plate SEHD-100-A-09 (ver 0)(has mould)	SPCC1.0	1
38	YW64000300100	Hex nut GB/T6170 M3-Longzine		2
37	YE50380000000	Umbrella screw M3*8(SUS304)		2
36	BE85018000350	Thermal protector K180 centrifuge (wire 0 SMI) (thermal protection normally open)(has rubber sleeve)	Assembly	1
35	YW64000500000	Hex nut M5 anti-loose		12
34	BW09000630040	Sight glass iron sheet six hole (chrome-plated) SEHD-12-A-16 (drawing ver 0)	SPCC2.0	2
33	YR40001200000	Acrylic six-hole SEHD-12-A-12 (ver 0)	PC	2
32	YR40000600000	Sight glass iron sheet six hole (chrome-plated) SEHD-12-A-11 (drawing ver 0)	Rubber	2
31	YW66000600000	Ring opening GB/T896 6		4
30	YW90661003800	Horizontal pin 64100/200/400 (Longfeng) 100 pcs/bag	Q235	4
29	YW66103200000	Large washer A grade GB/T91 10105x20x25 -Longzine		4
28	YW90012400200	Star ring screw big 100/200/400 (Longfeng) 150set/case	Q235	4
27	YW90012400100	Star ring nut big 100/200/400 (Longfeng) 150 set/case	kirsite	4
26	BL01200800220	Upper screen SHD-200E-A-08 drawing ver 0	SUS201	1
25	BY10020003850	Base assembly SHB-200EB (Longfeng)	Assembly	1
24	YL01020000200	Lower screen assembly SHD-200E-A-07 (drawing ver 0) Longfeng	SUS201	1
23	YW20020001500	Hopper SHD-200E-A-03 drawing ver 0 Longfeng	AC4B	1
22	YW80010200100	Plug 1/4		1
21	YW65012000000	Standard spring washer GB/T93 12-Longzine		4
20	YW66024130000	Large washer A grade GB/T91 12105x20x25 -Longzine		4
19	YW60124500000	Hex. bolt GB/T15783 M12x45-8.8-Longzine		4
18	YW20020002100	Hot air pipe SHD-200E-A-05 drawing version 0 Longfeng	AC4B	1
17	YW67051000700	Cross recessed pan head self-tapping set screw GB6560 M4x20-Longzine		4
16	YW67040600600	Cross recessed pan head self-tapping set screw GB6560 M4x6-Longzine		4
15	BL01500001020	Control box short box SHD-500E-A-03 drawing ver 0	welding parts	1
14	YW20020000200	Blower mount flange SHD-200E-A-02 drawing ver 0 Longfeng	AC4B	1
13	YW66081600000	Flat washer A grade GB/T97 118 4*16*16L-longzine		20
12	YW65080001000	Standard spring washer GB/T93 8-Longzine		20
11	YW60082500100	Hex bolt GB/T15783 M8x25-12.9-Longzine		20
10	YM40020003200	Blower 4"120E13 380V~4.15V/50/60HZ/350W/420W	Assembly	1
9	SHD-300E-A-01	Storage hopper body	Assembly	1
8	YW65006000100	Standard spring washer GB/T93 6-Longzine		8
7	YW66061300000	Flat washer A grade GB/T97 1 6-Longzine		8
6	YW60061200000	Hex bolt GB/T15783 M6x12-12.9-Longzine		8
5	YW00121000000	Handle SEHD-25-A-08 (ver 0)(has mould)	Assembly	4
4	YW62061000000	Large cross recessed flat head screw JIS1111 M6x10-Longzine		16
3	BL01121400120	Handle hook SHD-12E-A-16 (drawing ver 0)	SUS201	4
2	YW63061500000	Cross recessed pan head screw GB/T 818 M6x15-Longzine		4
1	YW20020001800	Exhaust air pipe SHD-200E-A-04 (ver 0) Longfeng	AC4B	1

标记	更改前	更改后	更改人	日期	制图	版号	标题	图号	比例	1:16	数量	备注
					设计	核准	SHD-300E 料斗干燥机					材质
					校对	核准	 信易电热机械股份有限公司 Shini Plastics Technologies, Inc.					表面要求
					审核	日期						



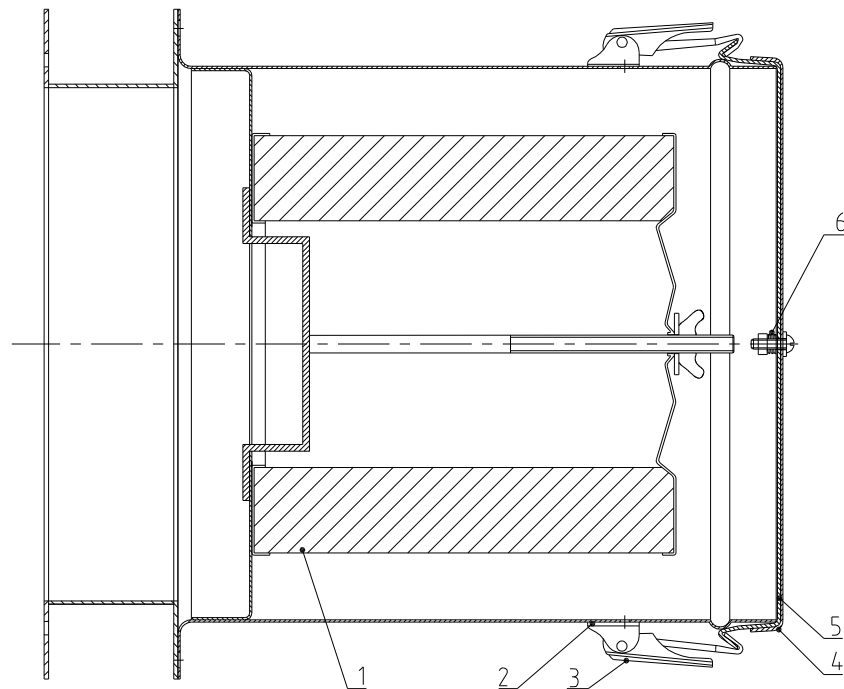
9	YW02003000400	Adjustable snap hook SAL-6U-A-35(ver.c)		3	
8	BA10020000210	Exhaust air pipe SEHD-200-A-14(200/1000)(ver.0)(painted)(has mould)		1	
7	BL90000300120	Adaptor flange ADC-3EB-A-01(ver.0)		1	
6	YR10204000000	Exhaust air pipe fastener SEHD-200-A-15(ver.0) rubber (has mould)		2	
5	YR50241400100	Filter ADC3 fastener rubber (SMD-2000H-A-ALL-11) ver.B		1	
4	YE66515800000	PVC hose 2" inner dia. 50mm x 0.8mm		1	
3	YW02002500000	Stainless steel pipe clamp 2.5"(40-64mm)		2	
2	YR40012500000	Plastic connector 1.25"		1	
1	YR40000000100	Bottom plug ADC-1-A-05 ver.0 (has mould)		1	
序号	代号	名称	材质	数量	备注

					制图		版号		标题	ADC-3EB	图号	ADC-3EB-ALL	比例	1:10	数量	1
					设计		核准		排风空气滤清器					材质		
					校对				SHINI 信易電熱機械股份有限公司 Shini Plastics Technologies, Inc.				表面要求			
标记	更改前	更改后	更改人	日期	审核		日期			物料号						



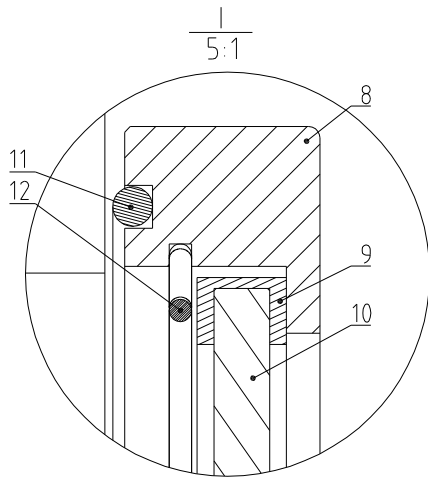
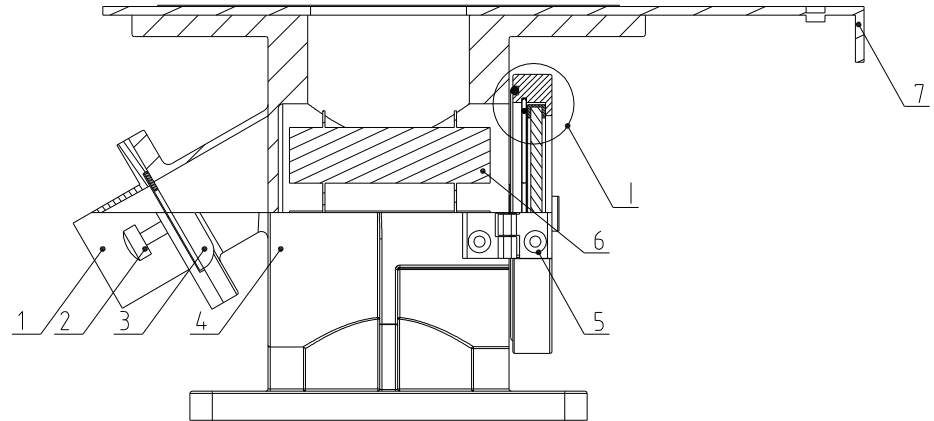
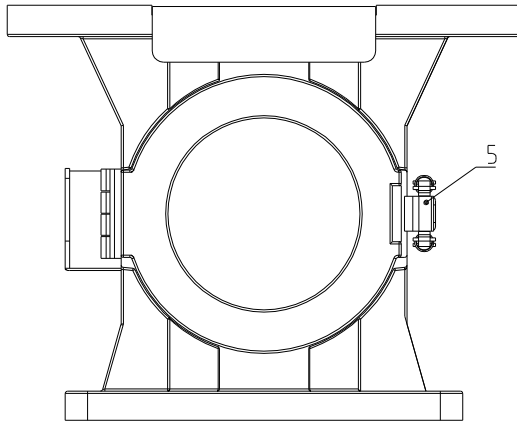
10	BP62014000050	4H elbow asbestos gasket(Long Feng) ext dia ϕ 140 inner dia ϕ 94 long hole 10 \times 9 hole distance 120		1	
9	BH11004010310	Quick connector 4" HAR-200-A-03-AISUS)		1	
8	YW72043600000	Heat-resistant air pipe 4" double layer red \times 3.6M		0.5	
7	YW02004500000	Stainless steel pipe clamp 4.5" (91-114mm)		2	
6	YW01126900000	Air cover spring (TB-3-A-10 Drawing No.)		1	
5	BL00000500420	Blower filter hopper cover 5"-01 (HAR-5) (has mould)		1	
4	BL00000500320	Blower filter hopper air cover 5"-02 (HAR-5) (has mould)		1	
3	YW02003000400	Adjustable snap hook SAL-6U-A-35(ver.c)		2	
2	YR40000600800	Adjustable snap hook pad SAL-6U(white)(has mould)		2	
1	YR50181900000	Filter HAR ext. 188 \times inner 114/88 \times H191		1	
序号	代号	名称	材料	数量	备注

					制图	版号	标题	图号	比例	1:5	数量	1
					设计	核准	HAR-200EB	HAR-200EB-ALL	 			
					校对	核准	热风回收器					
标记	更改前	更改后	更改人	日期	审核	日期	信易电热机械股份有限公司 Shini Plastics Technologies, Inc.			表面要求		
						20200917				物料号		



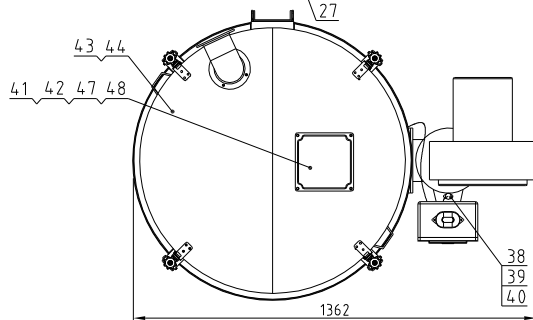
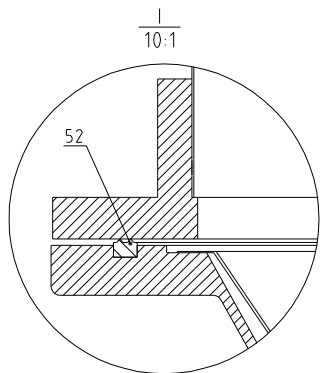
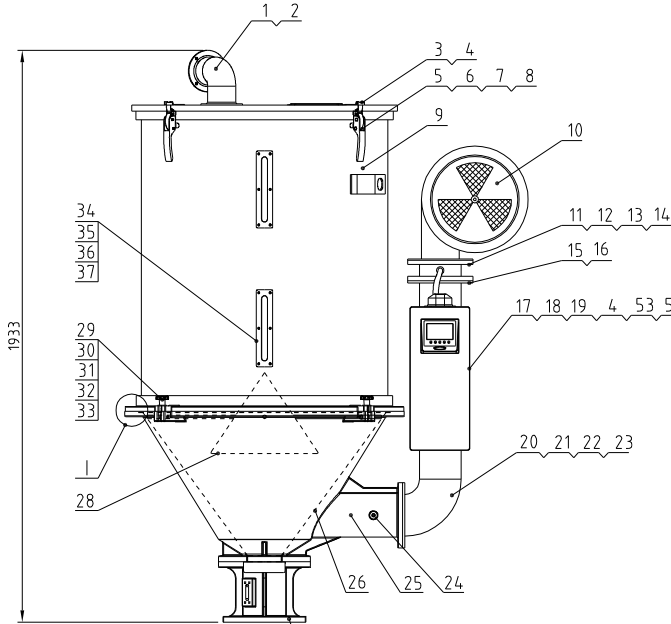
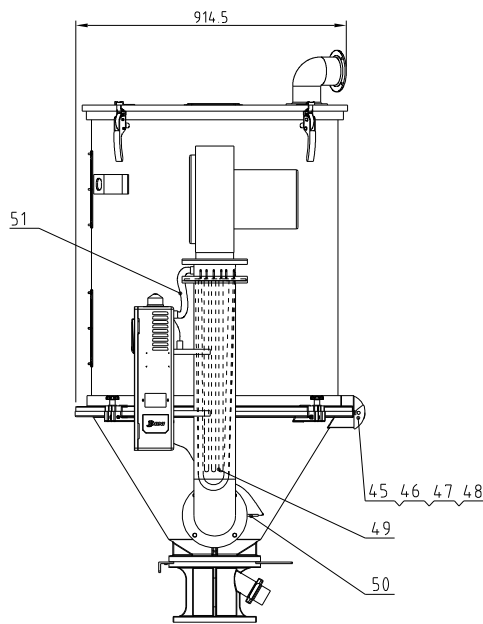
6	YW01126900000	Air cover spring (TB-3-A-10 Drawing No.)		1	
5	BL00000500420	Blower filter barrel cover 5"-01(HAR-5)(has mould)		1	
4	BL00000500320	Blower filter barrel air cover 5"-02(HAR-5)(has mould)		1	
3	YW02003000400	Adjustable snap hook SAL-6U-A-35(ver.c)		2	
2	YR40000600800	Adjustable snap hook pad SAL-6U(white)(has mould)		2	
1	YR50181900000	Filter HAR ext. 188×inner 114/88×H191		1	
序号	代号	名称	材料	数量	备注

					制图	版号	标题	图号	比例	1:3	数量	1
					设计	核准	AIF-200EB 风机入口过滤器	AIF-200EB-ALL		材质		
					校对		信易電熱機械股份有限公司 Shini Plastics Technologies, Inc.		表面要求			
标记	更改前	更改后	更改人	日期	审核	日期			20200917	物料号		



12	YA10030406000	Magnetic base 304 clamp 200-400KG(Long Feng)		1	
11	YA10203006000	Magnetic base oil seal 200/300KG(Long Feng)		1	
10	YA10204006000	Magnetic base glass 200-400KG(Long Feng)		1	
9	YA10240006000	Magnetic base glass rubber ring 200-400KG(Long Feng)		1	
8	YA10020008000	Magnetic base alu. ring 200KG (L) (Long Feng)		1	
7	YW90020002900	Large drag plate HB-200EB-A-03(ver.0)(w.14.0)(Long Feng)		1	
6	BA90020008010	Magnetic frame 200 KG L (Long Feng)		1	
5	YW09254008000	Magnetic base hinge/lock 25-400KG(Long Feng)		1	
4	BW20020000710	Magnetic base 200KG(Long Feng) (painted)		1	
3	YW90020003000	Small drag plate HB-200EB-A-04(ver.0)(w.6.0)		1	
2	YW69616100000	Manual screw M6×16×16		1	
1	YW20020001900	Discharge port HB-200EB-A-02(ver.A)(Long Feng)		1	
序号	代号	名称	材质	数量	备注

					制图	版号	标题	图号	比例	1:3	数量	1
					设计	核准	磁力底座	MB-200EB-ALL	表面要求	材质		
				校对								
标记	更改前	更改后	更改人	日期	审核	日期	20200522	信易電熱機械股份有限公司 Shini Plastics Technologies, Inc.	物料号			

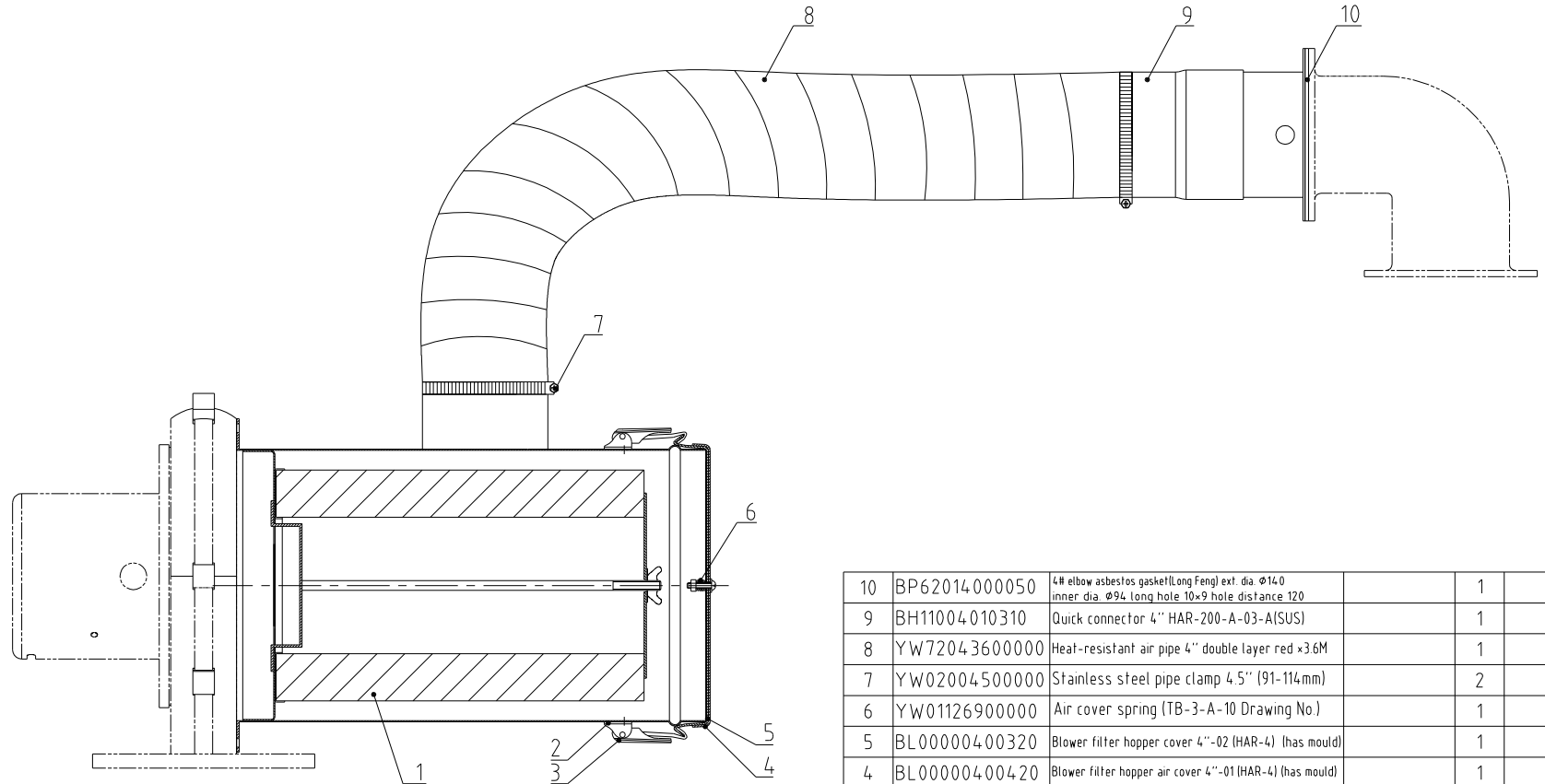


Blower Power	Pipe Heater Power	Hopper Capacity	Machine Version
50Hz:0.45kW	60Hz:0.52kW	18kW	400kg
			Ver.C

46	YW60082500100	Hex. bolt GB/T5783 M8x25-12.9-Longzine		8
45	YW90204.003300	Hinge (large) SHD-600E-A-09 drawing ver 0 Longfeng	Assembly	1
44	YR1001004.0000	Cover fastener SHD-100 white silica gel (has mould)	White silica gel	2
43	YW9004.0002800	Hopper cover SHD-400E-A-05 (ver 0) Longfeng	SPPC1.8	1
42	YW60083000200	Hex. bolt GB/T5783 M8x30-8.8-Longzine		4
41	BW09202000000	Square plate SEHD-100-A-09 (ver 0)(has mould)	SPPC1.0	1
40	YW64.000300100	Hex. nut GB/T6170 M3-Longzine		2
39	YE50380000000	Umbrella screw M3x8(SUS304)		2
38	BE85018000350	Thermal protector K180 (entgrade (wire 0.5M) (Thermal protection normally open)(has rubber sleeve)	Assembly	1
37	YW64.000500000	Hex nut M5 anti-loose		12
36	BW09000630040	Sight glass iron sheet six hole (chrome-plated) SEHD-12-A-16 (drawing ver 0)	SPPC2.0	2
35	YR4.00012000000	Acrylic six-hole SEHD-12-A-12 (ver 0) Mat. PK (has mould)	PC	2
34	YR4.00006000000	Sight glass iron sheet six hole (chrome-plated) SEHD-12-A-11 (drawing ver 0)	Rubber	2
33	YW66000600000	Ring opening GB/T896 6		4
32	YW90661003800	Horizontal pin 66100/200/400 (Longfeng) 100 pcs/bag		4
31	YW66103200000	Large washer A grade GB/T93 1010 5x30x2.5 -Longzine		4
30	YW900124.00200	Star ring screw big 100/200/400 (Longfeng) 150set/case		4
29	YW900124.00100	Star ring nut big 100/200/400 (Longfeng) 150 set/case		4
28	BL014.00700220	Upper screen SHD-400E-A-07 drawing ver 0	SUS201	1
27	BY1004.0000850	Base assembly SHB-400EB (Long Feng)	Assembly	1
26	YL0104.0000200	Lower screen assembly SHD-400E-A-06 drawing ver 0 Longfeng	SUS201	1
25	YW2004.0001500	Hopper SHD-400E-A-03 drawing ver 0 Longfeng	AC4B	1
24	YW80010200100	Plug 1/4		1
23	YW65012000000	Standard spring washer GB/T93 12-Longzine		4
22	YW66024.1300000	Large washer A grade GB/T911 1013 5x14x2.5 -Longzine		4
21	YW60124500000	Hex. bolt GB/T5783 M12x4.5-8.8-Longzine		4
20	YW204.00001700	Hot air pipe SHD-400E-A-04 drawing version 0 Longfeng	welding parts	1
19	YW6704.0600600	Cross recessed pan head self-tapping set screw GB6560 M4x6-Longzine		4
18	YW6705.1000700	Cross recessed pan head self-tapping set screw GB6560 M5x10-Longzine		4
17	BL01500001020	Control box short box SHD-500E-A-03 drawing ver 0	welding parts	1
16	YW66102000100	Flat washer A grade GB/T93 11011x20x2)-Longzine		4
15	YW61103000100	Inner hex. column head screw GB/T170.1 M8x30-12.9-Longzine		4
14	YW66102500000	Flat washer 10x25x1.5-Longzine		4
13	YW65010000000	Standard spring washer GB/T93 10-Longzine		8
12	YW61102500000	Inner hex. column head screw GB/T170.1 M10x25-12.9-Longzine		4
11	YW2004.0000900	Blower mount flange SHD-400E-A-02 drawing ver 0 Longfeng	AC4B	1
10	YM40534.001700	Blower S1(L00E)30-380V-4T5V/50/60HZ/350W/L20W	Assembly	1
9	SHD-400E-A-08	Storage hopper body	Assembly	1
8	YW66061300000	Flat washer A grade GB/T93 11.6-Longzine		8
7	YW65006000100	Standard spring washer GB/T93 6-Longzine		8
6	YW60061200000	Hex bolt GB/T5783 M6x12-12.9-Longzine		8
5	YW00121000000	Handle SEHD-25-A-08 (ver 0)(has mould)	Assembly	4
4	YW62061000000	Large cross recessed flat head screw J51111 M6x10-Longzine		16
3	BL011214.00120	Handle hook SHD-12E-A-14 (drawing ver 0)	SUS201	4
2	YW63061500000	Cross recessed pan head screw GB/T.818 M6x15-Longzine		4
1	YW20020001800	Exhaust air pipe SHD-200E-A-04 (ver 0)Longfeng	AC4B	1

54	YE67002100000	Cable head PG21		1
53	BL50021000120	Wire fixture fixed plate PG21 SG-S-01 (has mould)	SPPC2.0	1
52	YR20861000100	Sealing silicone strip 8x6(100/200/400) (Longfeng)	White silica gel	2.8M
51	YE60162800100	High-grade plastic coated metal hose Φ12(28x1.32mm) Two ends are connected with zinc alloy outer wire M20x15	Assembly	1
50	YE90059301300	Thermocouple Sx93LxM8-2M pipetSHD-600E-A-55 ver 0	Assembly	1
49	BH704.01800050	Pipe heater SHD-400E-B-01 drawing ver 0-18KW/3.0-400	Assembly	1
48	YW66081600000	Flat washer A grade GB/T93 18 4x16x1.6Longzine		12
47	YW65008000100	Standard spring washer GB/T93 8-Longzine		12

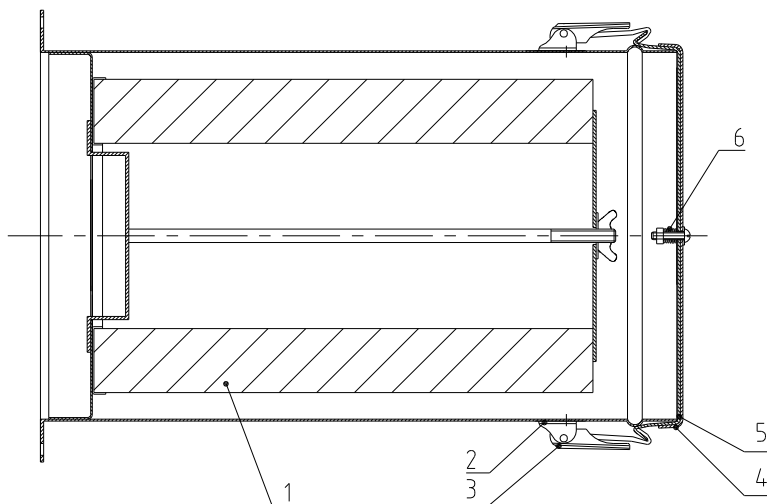
标记	更改前	更改后	更改人	日期	制图	版号	标题	图号	比例	1:16	数量	备注
					设计	核准	SHD-400E					
					校对		料斗干燥机					材质
					审核		SHINI	信易电热机械股份有限公司 Shini Plastics Technologies, Inc.	表面要求			
					日期				物料号			



10	BP62014000050	4# elbow asbestos gasket(Long Feng) ext. dia. Φ140 inner dia. Φ94 long hole 10×9 hole distance 120		1	
9	BH11004010310	Quick connector 4" HAR-200-A-03-AISUS)		1	
8	YW72043600000	Heat-resistant air pipe 4" double layer red ×3.6M		1	
7	YW02004500000	Stainless steel pipe clamp 4.5" (91-114mm)		2	
6	YW01126900000	Air cover spring (TB-3-A-10 Drawing No.)		1	
5	BL00000400320	Blower filter hopper cover 4"-02 (HAR-4) (has mould)		1	
4	BL00000400420	Blower filter hopper air cover 4"-01 (HAR-4) (has mould)		1	
3	YW02003000400	Adjustable snap hook SAL-6U-A-35(ver.c)		2	
2	YR40000600800	Adjustable snap hook pad SAL-6U(white)(has mould)		2	
1	YR50181100000	Filter ADC2 fastener rubber (SMD-1000H-A-ALL-09)ver.0		1	

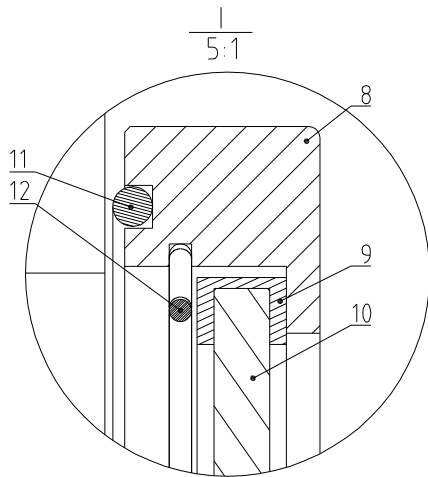
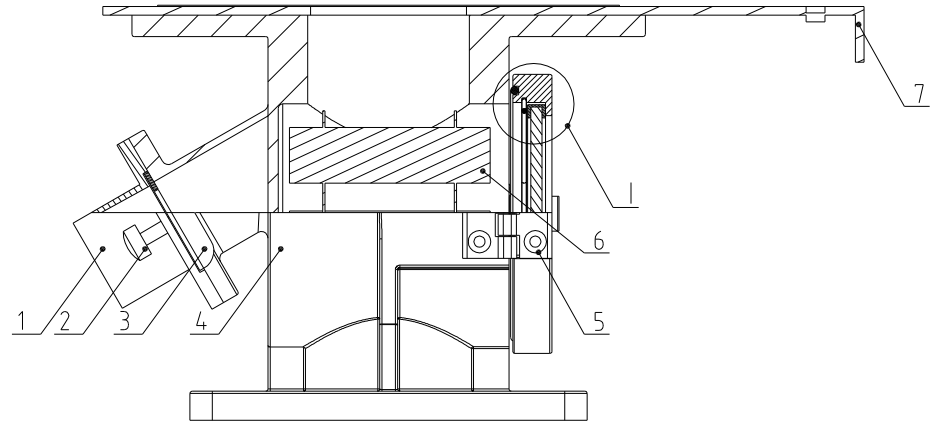
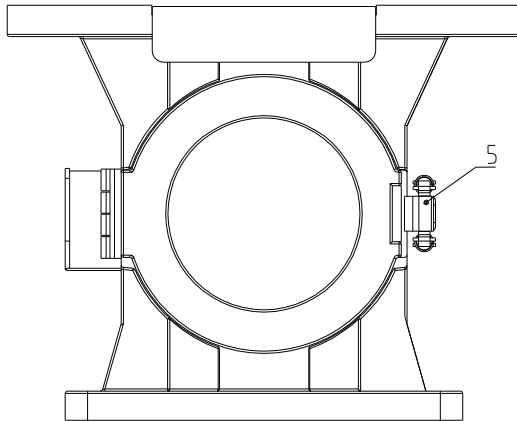
序号	代号	名称	材料	数量	备注
----	----	----	----	----	----

					制图	版号	标题	图号	比例	1:5	数量	1
					设计	核准	HAR-400EB	HAR-400EB-ALL			材质	
					校对		信易電熱機械股份有限公司 Shini Plastics Technologies, Inc.		表面要求			
标记	更改前	更改后	更改人	日期	审核	日期			20200924	物料号		



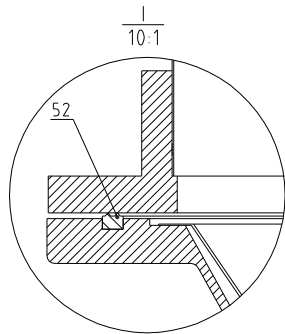
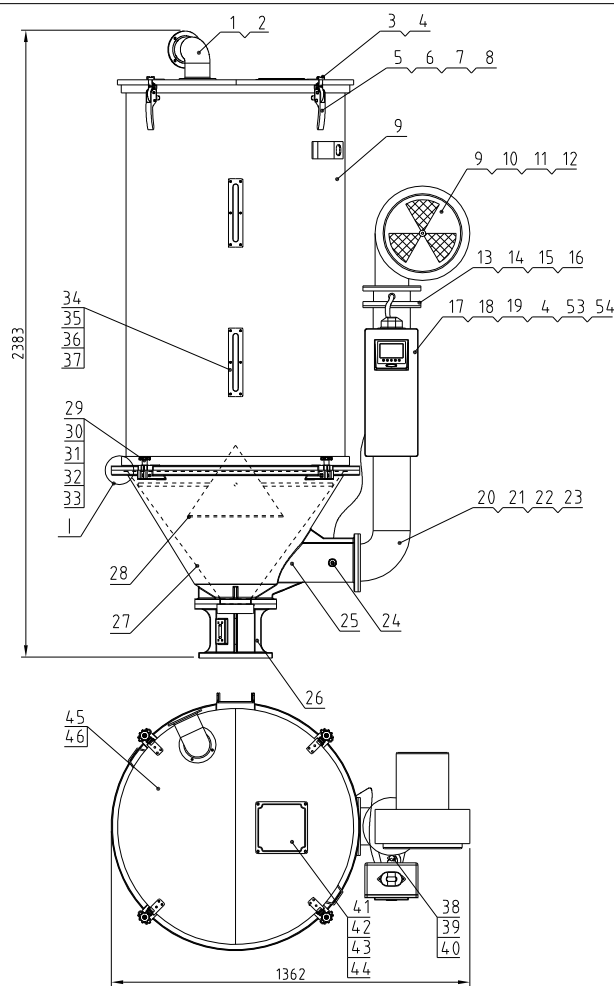
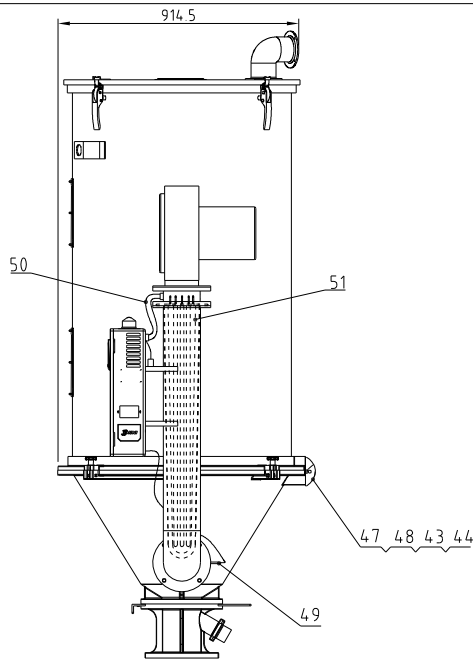
6	YW01126900000	Air cover spring (TB-3-A-10 Drawing No.)		1	
5	BL00000400420	Blower filter barrel air cover 4"-02(HAR-4)(has mould)		1	
4	BL00000400420	Blower filter barrel cover 4"-01(HAR-4)(has mould)		1	
3	YW02003000400	Adjustable snap hook SAL-6U-A-35(ver.c)		2	
2	YR40000600800	Adjustable snap hook pad SAL-6U(white)(has mould)		2	
1	YR50181100000	Filter ADC2 fastener rubber (SMD-1000H-A-ALL-09) ver.0		1	
序号	代号	名称	材料	数量	备注

					制图		版号		标题	AIF-400EB	图号	AIF-400EB-ALL	比例	1:4	数量	1
					设计		核准			风机入口过滤器					材质	
					校对				信易電熱機械股份有限公司 Shini Plastics Technologies, Inc.				表面要求			
标记	更改前	更改后	更改人	日期	审核	日期	20200924									



12	YA10030406000	Magnetic base 304 clamp 200-400KG(Long Feng)		1	
11	YA10040006000	Magnetic base oil seal 400KG(Long Feng)		1	
10	YA10204006000	Magnetic base glass 200-400KG(Long Feng)		1	
9	YA10240006000	Magnetic base glass rubber ring 200-400KG(Long Feng)		1	
8	YA10040008000	Magnetic base alu. ring 400KG (Long Feng)		1	
7	YW90020002900	Large drag plate HB-200EB-A-03(ver.0)w.140(Long Feng)		1	
6	BA90040008010	Magnetic frame 400 KGL (Long Feng)		1	
5	YW09254008000	Magnetic base hinge/lock 25-400KG(Long Feng)		1	
4	BW20040000810	Magnetic base 400KG(Long Feng) (painted)		1	
3	YW90020003000	Small drag plate HB-200EB-A-04(ver.0)w.60)		1	
2	YW69616100000	Manual screw M6×16×16		1	
1	YW20020001900	Discharge port HB-200EB-A-02(ver.A)l(Long Feng)		1	
序号	代号	名称	材质	数量	备注

					制图	版号	标题	图号	比例	1:3	数量	1
					设计	核准	MB-400EB 磁力底座	MB-400EB-ALL	表面要求 材质			
					校对		信易電熱機械股份有限公司 Shini Plastics Technologies, Inc.					
标记	更改前	更改后	更改人	日期	审核	日期					20200522	

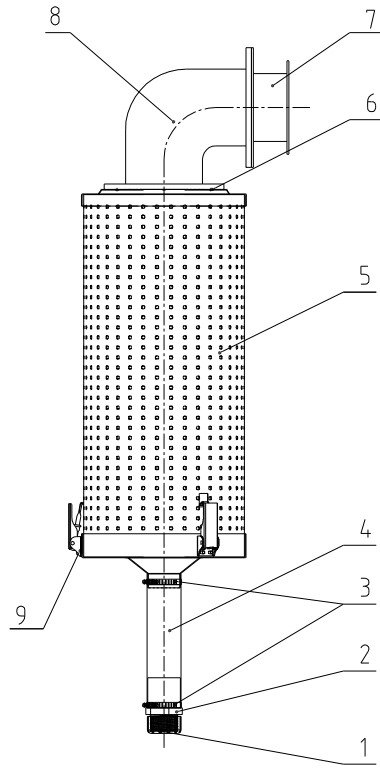


54	YE67002100000	Cable head PG21		1	
53	BL50021000120	Wire fixture fixed plate PG21 5G-5-01 (has mould)	SPCC2.0	1	
52	YR20861000100	Sealing silicone strip 8x6100/200x400 (Longfeng)	White silica gel	2.81M	
51	BH70503800050	Pipe heater SHD-500-19 5KW3φ 400V	Assembly	1	
50	YE60162800100	High-grade plastic coated metal hose φ228x1.2mm Two ends are connected with zinc alloy outer wire M20x15	Assembly	1	
49	YE90059301300	Thermocouple Sx93L-M8x2M pipetSHD-600U-A-55 ver.01	Assembly	1	
48	YW60082500100	Hex. bolt GB/T5783 M8x25-12.9-Longzine		8	
47	YW90204.003300	Hinge (large) SHD-600E-A-09 drawing ver 0 Longfeng	Assembly	1	

Blower Power	Pipe Heater Power	Hopper Capacity	Machine Version
50Hz:0.45kW	60Hz:0.52kW	19.5kW	500kg
			Ver.B

46	YR1001004.0000	Cover fastener SHD-100 white silical gel (has mould)	White silica gel	2	
45	YW9004.0002800	Hopper cover SHD-400E-A-05 (ver 0) Longfeng	SPCC1.8	1	
44	YW66081600000	Large washer A grade GB/T97.18 4-16-16		12	
43	YW65008000100	Standard spring washer GB/T93 8-Longzine		12	
42	YW60083000200	Hex. bolt GB/T5783 M8x30-8.8-Longzine		4	
41	BW09202000000	Square plate SEHD-100-A-09 (ver 0) (has mould)	SPCC1.0	1	
40	YW64.000300100	Hex. nut GB/T6170 M3-Longzine		2	
39	YE50380000000	Umbrella screw M3x8(SUS304)		2	
38	BE85018000350	Thermal protector K180 centigrade (wire 0.5M) (Thermal protection normally special has rubber sleeve)	Assembly	1	
37	YW64.000500000	Hex nut M5 anti-loose		12	
36	BW09000630040	Sight glass iron sheet six hole (chrome-plated) SEHD-12-A-16 (drawing ver 0)	SPCC2.0	2	
35	YR4.00012000000	Acrylic six-hole SEHD-12-A-12 (ver 0) Mat. PC (has mould)	PC	2	
34	YR4.00006000000	Sight glass iron sheet six hole (chrome-plated) SEHD-12-A-11 (drawing ver 0)	Rubber	2	
33	YW66000600000	Ring opening GB/T896 6		4	
32	YW90661003800	Horizontal pin 66100/200/400 (Longfeng) 100 pcs/bag	Q235	4	
31	YW66103200000	Large washer A grade GB/T96 1010 5x30x2.5 -Longzine		4	
30	YW900124.00200	Star ring screw big 100/200/400 (Longfeng) 10set/case	Q235	4	
29	YW900124.00100	Star ring nut big 100/200/400 (Longfeng) 150 set/case	hirsite	4	
28	BL014.00700220	Upper screen SHD-400E-A-07 drawing ver 0	SUS201	1	
27	YL0104.0000200	Lower screen SHD-400E-A-06 drawing ver 0	SUS201	1	
26	BY1004.0000850	Base assembly SHB-400EB (Long Feng)	Assembly	1	
25	YW2004.0001500	Hopper SHD-400E-A-03 drawing ver 0 Longfeng	AC4B	1	
24	YW80010200100	Plug 1/4		1	
23	YW65012000000	Standard spring washer GB/T93 12-Longzine		4	
22	YW66024.1300000	Large washer A grade GB/T97.1 1203 5x2x2.5 -Longzine		4	
21	YW60123500000	Hex. bolt GB/T5783 M12x35-8.8-Longzine		4	
20	YW20050000100	Hof air pipe SHD-500E-A-02(0) (Longfeng)	welding parts	1	
19	YW6704.0600600	Cross recessed pan head self-tapping set screw GB6560 M4-6-Longzine		4	
18	YW67051000700	Cross recessed pan head self-tapping set screw GB6560 M5-10-Longzine		4	
17	BL01500001020	Control box long box SHD-500E-A-03 drawing ver 0	welding parts	1	
16	YW66102000100	Flat washer A grade GB/T97.1 1011x20x21-Longzine		4	
15	YW61103000100	Inner hex. column head screw GB/T70.1 M10x30-12.9-Longzine		4	
14	YW2004.0000900	Blower mount flange SHD-400E-A-02 drawing ver 0 Longfeng	AC4B	1	
13	YW65010000000	Standard spring washer GB/T93 10-Longzine		8	
12	YW66102500000	Flat washer 10x25x1.5-Longzine		4	
11	YW61102500000	Inner hex. column head screw GB/T70.1 M10x25-12.9-Longzine		4	
10	YM4.0534.001700	Blower 5" (L00E) 380V~475V/50/60HZ/L50W/L20W	Assembly	1	
9	SHD-500E-A-01	Storage hopper body	Assembly	1	
8	YW66061300000	Flat washer A grade GB/T97.1 6-Longzine		8	
7	YW65006000100	Standard spring washer GB/T93 6-Longzine		8	
6	YW60061200000	Hex bolt GB/T5783 M6x12-12.9-Longzine		8	
5	YW00121000000	Handle SEHD-25-A-08 (ver 0) (has mould)	Assembly	4	
4	BL011214.00120	Handle hook SHD-12E-A-14 (drawing ver 0)		4	
3	YW62061000000	Large cross recessed flat head screw JIS1111 M6x10-Longzine		16	
2	YW63061500000	Cross recessed pan head screw GB/T-818 M6x15-Longzine		4	
1	YW20020001800	Exhaust air pipe SHD-200E-A-04 (ver 0) (Longfeng)	AC4B	1	

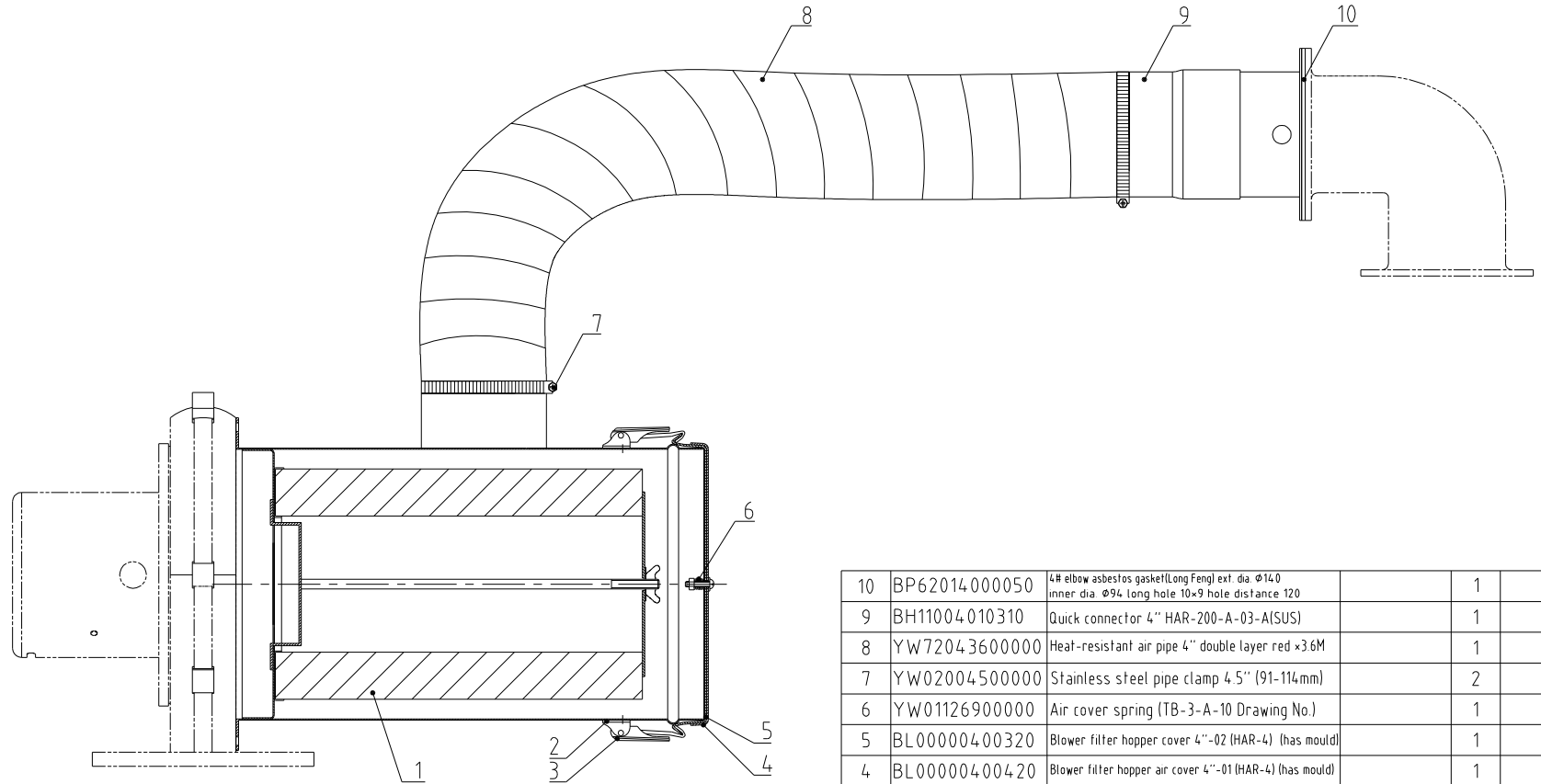
						制图	版号	标题	SHD-500E	图号	比例	1:18	数量	1
						设计	核准	料斗干燥机			表面要求 物料号			
						校对								
标记	更改前	更改后	更改人	日期	审核		日期		信易电热机械股份有限公司 Shini Plastics Technologies, Inc.					



9	YW02003000400	Adjustable snap hook SAL-6U-A-35(ver.c)		3	
8	BA10020000210	Exhaust air pipe SEHD-200-A-14(200/1000)(ver.0)(painted)(has mould)		1	
7	BL90000300120	Adaptor flange ADC-3EB-A-01(ver.0)		1	
6	YR10204000000	Exhaust air pipe fastener SEHD-200-A-15(ver.0) rubber (has mould)		2	
5	YR50241400100	Filter ADC3 fastener rubber (SMD-2000H-A-ALL-11) ver.B		1	
4	YE66515800000	PVC hose 2" inner dia. 50mm×0.8mm		1	
3	YW02002500000	Stainless steel pipe clamp 2.5"(40-64mm)		2	
2	YR40012500000	Plastic connector 1.25"		1	
1	YR40000000100	Bottom plug ADC-1-A-05 ver.0 (has mould)		1	

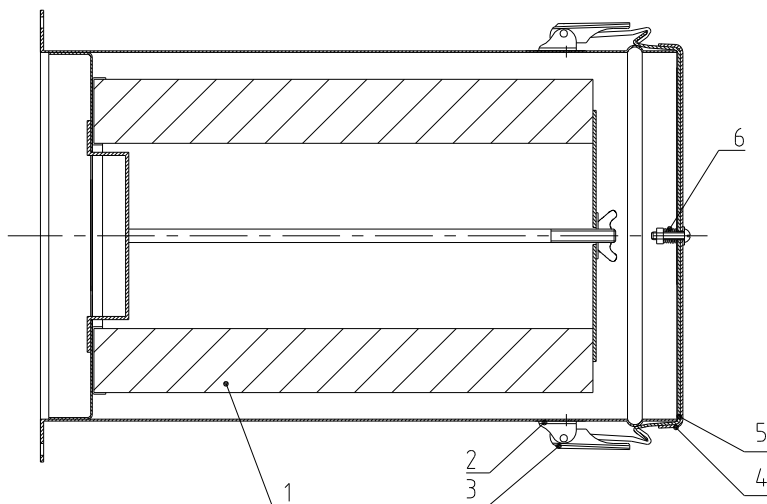
序号	代号	名称	材质	数量	备注
----	----	----	----	----	----

					制图		版号		标题	ADC-3EB	图号	ADC-3EB-ALL	比例	1:10	数量	1
					设计		核准			排风空气滤清器					材质	
					校对				信易電熱機械股份有限公司 Shini Plastics Technologies, Inc.			表面要求				
标记	更改前	更改后	更改人	日期	审核		日期								物料号	



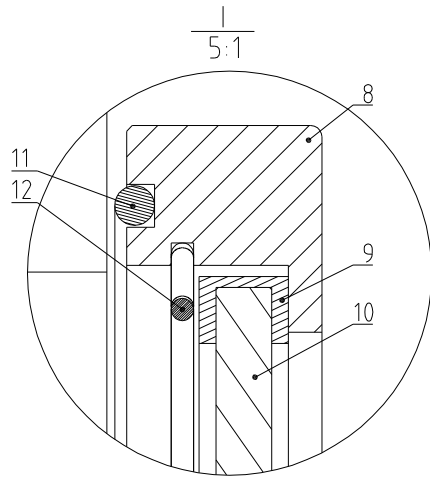
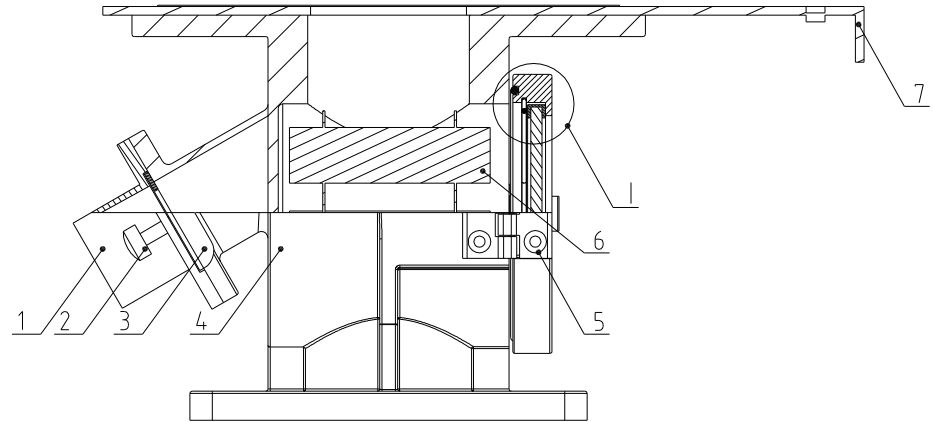
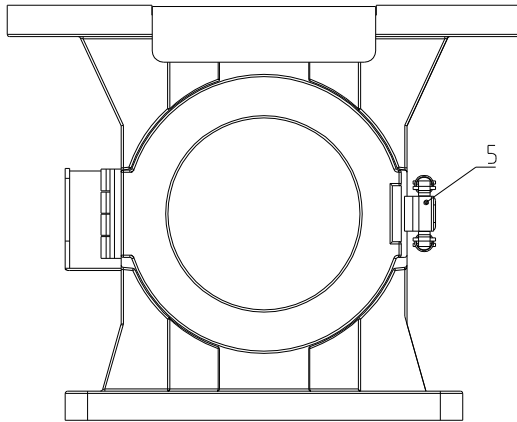
10	BP62014.000050	4H elbow asbestos gasket(Long Feng) ext. dia. Φ 140 inner dia. Φ 94 long hole 10x9 hole distance 120		1	
9	BH11004.010310	Quick connector 4" HAR-200-A-03-A(SUS)		1	
8	YW7204.3600000	Heat-resistant air pipe 4" double layer red x3.6M		1	
7	YW02004.500000	Stainless steel pipe clamp 4.5" (91-114mm)		2	
6	YW01126.900000	Air cover spring (TB-3-A-10 Drawing No.)		1	
5	BL000004.00320	Blower filter hopper cover 4"-02 (HAR-4) (has mould)		1	
4	BL000004.00420	Blower filter hopper air cover 4"-01 (HAR-4) (has mould)		1	
3	YW02003.000400	Adjustable snap hook SAL-6U-A-35(ver.c)		2	
2	YR400006.00800	Adjustable snap hook pad SAL-6U(white)(has mould)		2	
1	YR50181.100000	Filter ADC2 fastener rubber (SMD-1000H-A-ALL-09)ver.0		1	
序号	代号	名称	材料	数量	备注

					制图	版号	标题	图号	比例	1:5	数量	1
					设计	核准	HAR-400EB	HAR-400EB-ALL		材质		
					校对		信易電熱機械股份有限公司 Shini Plastics Technologies, Inc.			表面要求		
标记	更改前	更改后	更改人	日期	审核	日期	20200924		物料号			



6	YW01126900000	Air cover spring (TB-3-A-10 Drawing No.)		1	
5	BL00000400420	Blower filter barrel air cover 4"-02(HAR-4)(has mould)		1	
4	BL00000400420	Blower filter barrel cover 4"-01(HAR-4)(has mould)		1	
3	YW02003000400	Adjustable snap hook SAL-6U-A-35(ver.c)		2	
2	YR40000600800	Adjustable snap hook pad SAL-6U(white)(has mould)		2	
1	YR50181100000	Filter ADC2 fastener rubber (SMD-1000H-A-ALL-09) ver.0		1	
序号	代号	名称	材料	数量	备注

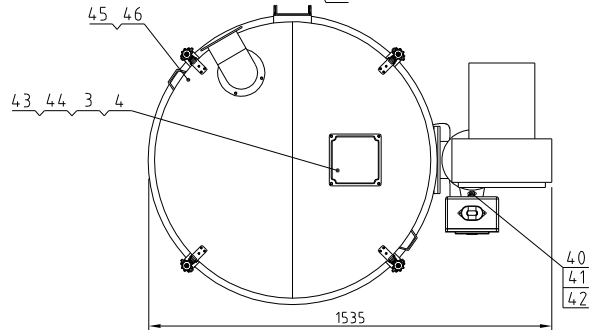
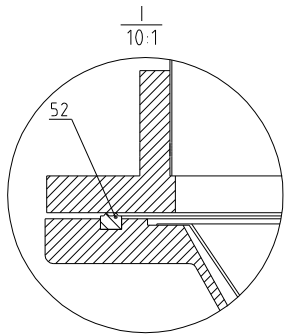
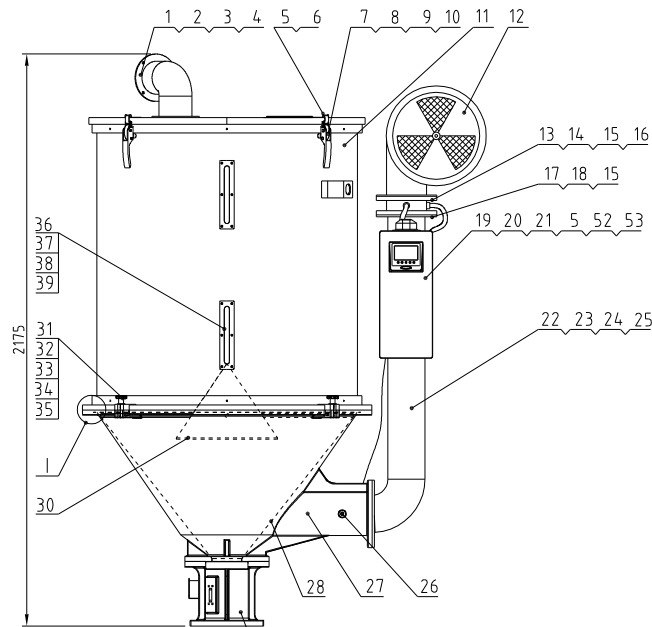
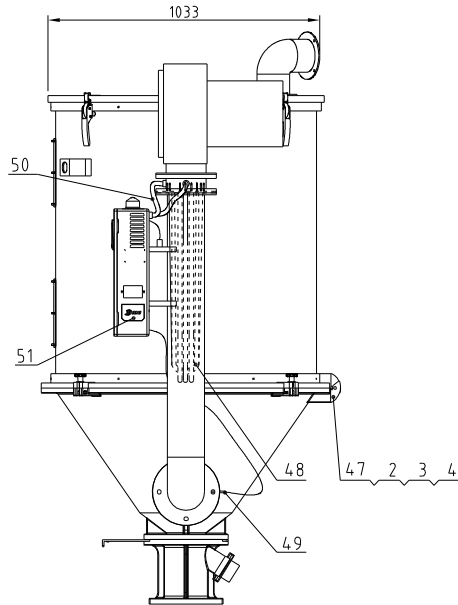
					制图		版号		标题	AIF-400EB	图号	AIF-400EB-ALL	比例	1:4	数量	1
					设计		核准			风机入口过滤器				材质		
					校对					信易電熱機械股份有限公司 Shini Plastics Technologies, Inc.	表面要求					
标记	更改前	更改后	更改人	日期	审核	日期	20200924				物料号					



12	YA10030406000	Magnetic base 304 clamp 200-400KG(Long Feng)		1	
11	YA10040006000	Magnetic base oil seal 400KG(Long Feng)		1	
10	YA10204006000	Magnetic base glass 200-400KG(Long Feng)		1	
9	YA10240006000	Magnetic base glass rubber ring 200-400KG(Long Feng)		1	
8	YA10040008000	Magnetic base alu. ring 400KG (Long Feng)		1	
7	YW90020002900	Large drag plate HB-200EB-A-03(ver.0)(W:140)(Long Feng)		1	
6	BA90040008010	Magnetic frame 400 KG L (Long Feng)		1	
5	YW09254008000	Magnetic base hinge/lock 25-400KG(Long Feng)		1	
4	BW20040000810	Magnetic base 400KG(Long Feng) (painted)		1	
3	YW90020003000	Small drag plate HB-200EB-A-04(ver.0)(W:60)		1	
2	YW69616100000	Manual screw M6×16×16		1	
1	YW20020001900	Discharge port HB-200EB-A-02(ver.A)(Long Feng)		1	

序号	代号	名称	材质	数量	备注
----	----	----	----	----	----

					制图	版号	标题	图号	比例	1:3	数量	1
					设计	核准	MB-400EB 磁力底座	MB-400EB-ALL		材质		
					校对		信易電熱機械股份有限公司 Shini Plastics Technologies, Inc.			表面要求		
标记	更改前	更改后	更改人	日期	审核	日期			20200522		物料号	

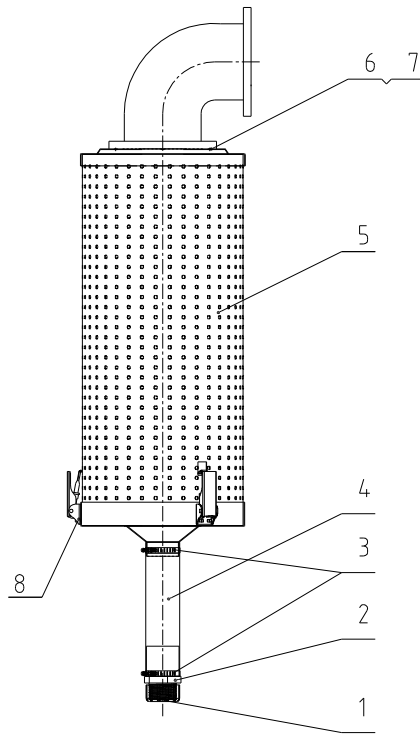


53	YE67002900000	Cable head PG29		1	
52	BL4.000294.0120	Wire fixture fixed plate PG29 5G-S-01 (has mould)	SPCC2.0	1	
51	YR20861000100	Sealing silicone strip 8x6100/200/4.00 (Longfeng)	White silica gel	1	3.5M
50	YE60162800100	High-grade plastic coated metal hose Φ1200x12mm Two ends are connected with zinc alloy color wire M20x15	Assembly	2	
49	YE90059301300	Thermocouple 5x9.3LxM8x2M pipeTSHD-6000-A-55 ver.01	Assembly	1	
48	BH70060000250	Pipe heater SHD-600E-B-01 drawing version 0-2KW/3q/4.00V	Assembly	1	
47	YW90204.003300	Hinge (large) SHD-600E-A-09 drawing ver.0 Longfeng	Assembly	1	

Blower Power		Pipe Heater Power	Hopper Capacity	Machine Version
50Hz:1.03kW	60Hz:1.23kW	21kW	600kg	Ver.B

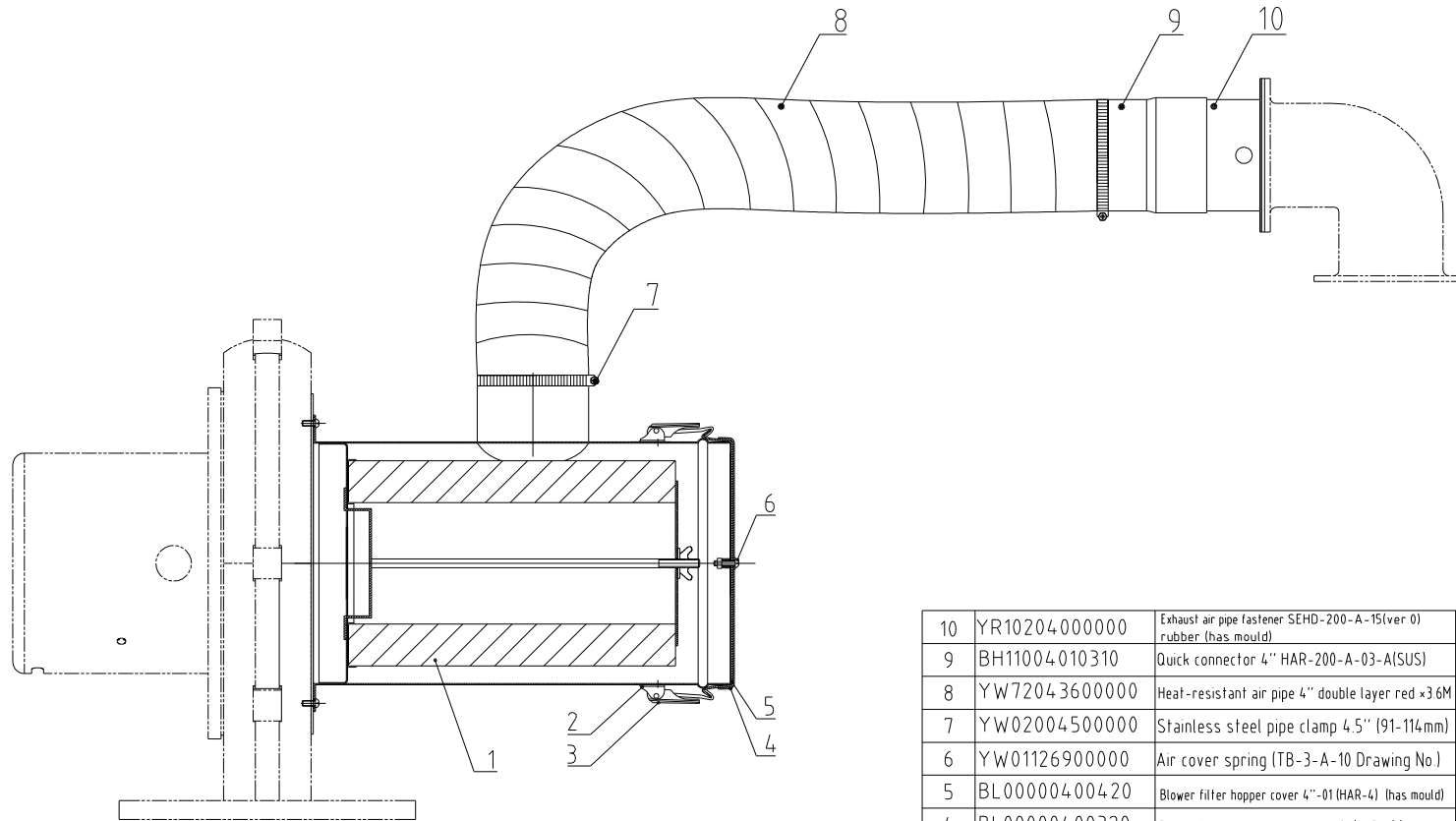
46	YR1001004.0000	Cover fastener SHD-100 white silical gel (has mould)	White silica gel	2	
45	YW90060000100	Hopper cover SHD-600E-A-03 (ver.0) Longfeng		1	
44	YW60083000200	Hex bolt GB/T5783 M8x30-8.8-Longzinc		4	
43	BW09202000000	Square plate SHD-100-A-09 (ver.0)(has mould)	SPCC1.0	1	
42	YW64.000300100	Hex nut GB/T6170 M3-Longzinc		2	
41	YE50380000000	Umbrella screw M3x8(SUS304)		2	
40	BE85018000350	Thermal protector K180 cent-grade (wire 0.5M) (Thermal protection normally open)(has rubber sleeve)		1	
39	YW64.0005000000	Hex nut M5 anti-loose		12	
38	BW09000630040	Sight glass iron sheet six hole (chrome-plated) SEHD-12-A-16 (drawing ver.0)	SPCC2.0	2	
37	YR4.00012000000	Acrylic six-hole SEHD-12-A-12 (ver.0) Mat: PC (has mould)	PC	2	
36	YR4.00006000000	Sight glass iron sheet six hole (chrome-plated) SEHD-12-A-11 (drawing ver.0)	rubber	2	
35	YW660006000000	Ring opening GB/T896 6		4	
34	YW90661003800	Horizontal pin 66100/200/4.00 (Longfeng) 100 pcs/bag	Q235	4	
33	YW661632000000	Large washer A grade GB/T96 10(10.5x30x2.5) -Longzinc		4	
32	YW900124.00200	Star ring screw big 100/200/4.00 (Longfeng) 150set/case	Q235	4	
31	YW900124.00100	Star ring nut big 100/200/4.00 (Longfeng) 150 set/case	kirsite	4	
30	BL016004.00120	Upper screen SHD-600E-A-04 drawing ver.0	SUS201	1	
29	YL01060000300	Lower screen SHD-600E-A-05 drawing ver.0	SUS201	1	
28	BY10060000850	Base assembly SHB-600EB (Long Feng)	Assembly	1	
27	YW20060000500	Hopper SHD-600E-A-06 drawing ver.0 Longfeng	AC4B	1	
26	YW80010200100	Plug 1/4		1	
25	YW6014.4500000	Hex bolt GB/T5783 M14x45-12.9-Longzinc		4	
24	YW6614.34.00000	Large washer A grade GB/T91 11(11.5x24x2.5) -Longzinc		4	
23	YW65014.2000000	Standard spring washer GB/T93 14-Longzinc		4	
22	YW200600004.00	Hot air pipe SHD-600E-A-07(0)(Longfeng)	welding parts	1	
21	YW67051000700	Cross recessed pan head self-tapping set screw GB6560 M5x10-Longzinc		4	
20	YW6704.0600600	Cross recessed pan head self-tapping set screw GB6560 M4x6-Longzinc		4	
19	BL01500001020	Control box long box SHD-500E-A-03 drawing ver.0	welding parts	1	
18	YW66102000100	Flat washer A grade GB/T91 10(11x20x2)-Longzinc		4	
17	YW61103000100	Inner hex column head screw GB/T701 M10x30-12.9-Longzinc		4	
16	YW66102500000	Flat washer 10x25x1.5-Longzinc		4	
15	YW65010000000	Standard spring washer GB/T93 10-Longzinc		8	
14	YW61102500000	Inner hex column head screw GB/T701 M10x25-12.9-Longzinc		4	
13	YW20060000600	Blower adapter SHD-600E-A-08 drawing ver.0 Longfeng	AC4B	1	
12	YM4.0633800100	Blower 61600E0130380V-L75V/50/60H/1030/1230W	Assembly	1	
11	SHD-600E-A-01	Storage hopper body	Assembly	1	
10	YW66061300000	Flat washer A grade GB/T91 6-Longzinc		8	
9	YW65006000100	Standard spring washer GB/T93 6-Longzinc		8	
8	YW60061200000	Hex bolt GB/T5783 M6x12-12.9-Longzinc		8	
7	YW001210000000	Handle SEHD-25-A-08 (ver.0)(has mould)	Assembly	4	
6	BL011214.00120	Handle hook SHD-12E-A-14 (drawing ver.0)	SUS201	4	
5	YW62061000000	Large cross recessed flat head screw JIS1111 Mx10-Longzinc		16	
4	YW65008000100	Standard spring washer GB/T93 8-Longzinc		12	
3	YW66081600000	Flat washer A grade GB/T91 18 4x16x1.6Longzinc		12	
2	YW66082500100	Hex bolt GB/T5783 M8x25-12.9-Longzinc		12	
1	YW20060000100	Exhaust air pipe SHD-600E-A-02 (ver.0)Longfeng	AC4B	1	

标记	更改前	更改后	更改人	日期	制图	版号	标题	图号	比例	1:18	数量	1	备注
					设计	核准	SHD-600E 料斗干燥机						材质
					校对	核准	SHINI 信易电热机械股份有限公司 Shini Plastics Technologies, Inc.						表面要求
					审核	日期							



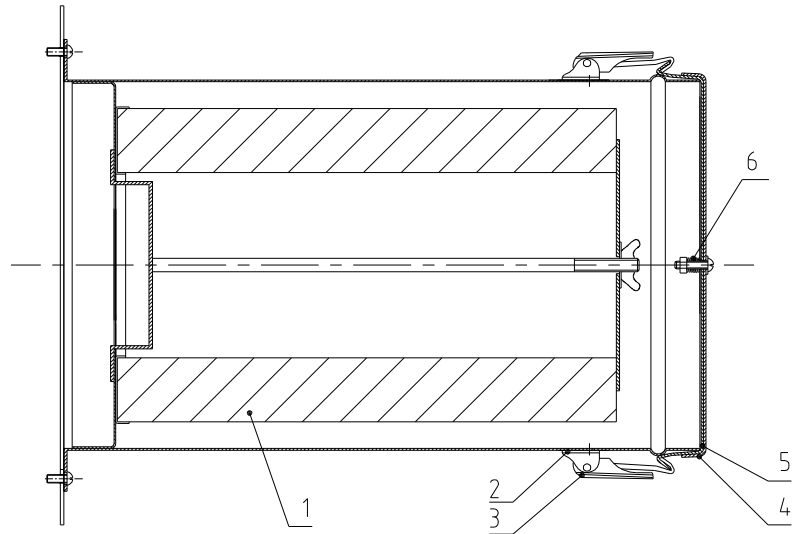
8	YW02003000400	Adjustable snap hook SAL-6U-A-35(ver.c)		3	
7	BA10020000210	Exhaust air pipe SEHD-200-A-14(200/1000)(ver.0)(painted)(has mould)	ZL101	1	
6	YR10204000000	Exhaust air pipe fastener SHD-200/400	rubber	1	
5	YR50241400100	Filter ADC3 fastener rubber (SMD-2000H-A-ALL-11) ver.0	assembly	1	
4	YE66515800000	PVC hose 2"	PVC	1	L=200mm
3	YW02002500000	Stainless steel pipe clamp 2.5"	SUS201	2	
2	YR40012500000	Plastic connector 1.25"	assembly	1	
1	YR40000000100	Bottom plug ADC-1-A-05 ver.0 (has mould)	HCF	1	
序号	代号	名称	材质	数量	备注

					制图		版号		标题	ADC-3	图号	ADC-3-ALL	比例	1:10	数量	1
					设计		核		排风空气滤清器					材质		
					校对		准		信易電熱機械股份有限公司 Shini Plastics Technologies, Inc.			表面要求				
标记	更改前	更改后	更改人	日期	审核		日期	20090420					物料号			



10	YR10204000000	Exhaust air pipe fastener SEHD-200-A-15(ver.0) rubber (has mould)		1	
9	BH11004010310	Quick connector 4" HAR-200-A-03-A(SUS)		1	
8	YW72043600000	Heat-resistant air pipe 4" double layer red ×3.6M		1	
7	YW02004500000	Stainless steel pipe clamp 4.5" (91-114mm)		2	
6	YW01126900000	Air cover spring (TB-3-A-10 Drawing No.)		1	
5	BL00000400420	Blower filter hopper cover 4"-01(HAR-4) (has mould)		1	
4	BL00000400320	Blower filter hopper air cover 4"-01(HAR-4) (has mould)		1	
3	YW02003000400	Adjustable snap hook SAL-6U-A-35(ver.c)		2	
2	YR40000600800	Adjustable snap hook pad SAL-6U(white)(has mould)		2	
1	YR50181100000	Filter ADC2 fastener rubber (SMD-1000H-A-ALL-09)ver.0		1	
序号	代号	名称	材料	数量	备注

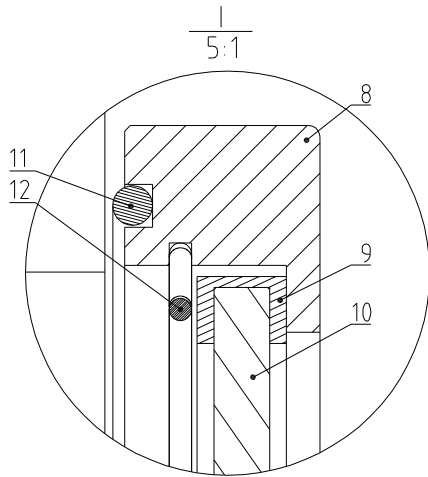
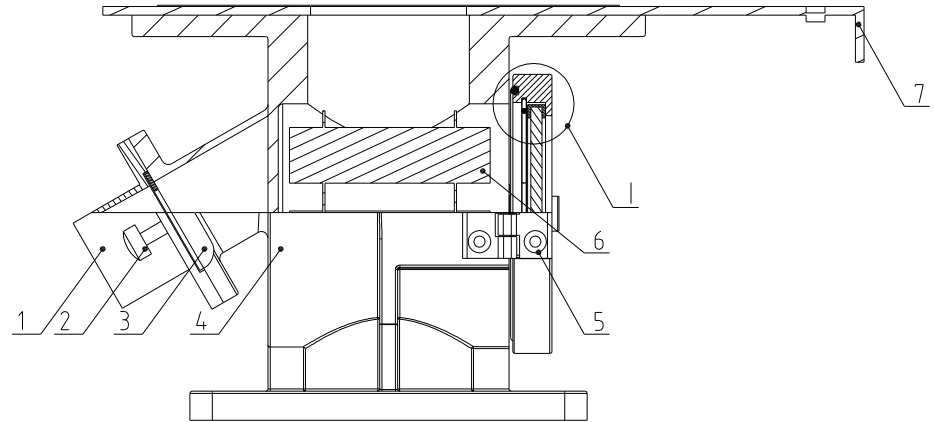
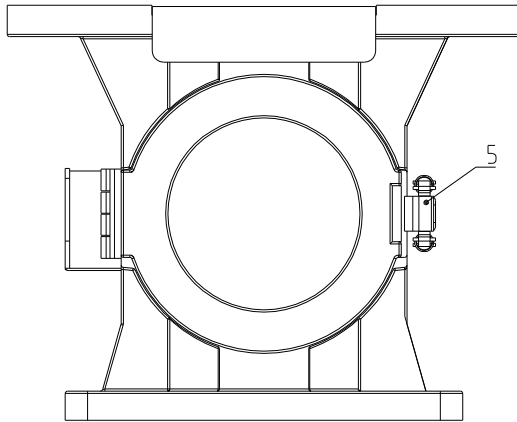
					制图	黄学明	版号		标题	HAR-600EB	图号	HAR-600EB-ALL	比例	1:6	数量	1
					设计	黄学明	核准			热风回收器				材质		
					校对					信易电热机械股份有限公司 Shini Plastics Technologies, Inc.			表面要求			
标记	更改前	更改后	更改人	日期	审核		日期	20200522					物料号			



6	YW01126900000	Air cover spring (TB-3-A-10 Drawing No.)		1	
5	BL00000400420	Blower filter barrel cover 4"-01(HAR-4)(has mould)		1	
4	BL00000400420	Blower filter barrel air cover 4"-01(HAR-4)(has mould)		1	
3	YW02003000400	Adjustable snap hook SAL-6U-A-35(ver.c)		2	
2	YR40000600800	Adjustable snap hook pad SAL-6U(white)(has mould)		2	
1	YR50181100000	Filter ADC2 fastener rubber (SMD-1000H-A-ALL-09) ver.0		1	

序号	代号	名称	材料	数量	备注
----	----	----	----	----	----

					制图	版号	标题	图号	比例	1:4	数量	1
					设计	核准	AIF-600EB 风机入口过滤器	AIF-600EB-ALL		材质		
					校对		信易電熱機械股份有限公司 Shini Plastics Technologies, Inc.		表面要求			
标记	更改前	更改后	更改人	日期	审核	日期			20210901	物料号		



12	YA10030406000	Magnetic base 304 clamp 200-400KG(Long Feng)		1	
11	YA10040006000	Magnetic base oil seal 400KG(Long Feng)		1	
10	YA10204006000	Magnetic base glass 200-400KG(Long Feng)		1	
9	YA10240006000	Magnetic base glass rubber ring 200-400KG(Long Feng)		1	
8	YA10040008000	Magnetic base alu. ring 400KG (Long Feng)		1	
7	YW90020002900	Large drag plate HB-200EB-A-03(ver.0) w.14.0 Long Feng)		1	
6	BA90040008010	Magnetic frame 400 KG L (Long Feng)		1	
5	YW09254008000	Magnetic base hinge/lock 25-400KG(Long Feng)		1	
4	YW20060000900	Magnetic base MB-600EB-A-01(Drawing ver.0) (Long Feng)		1	
3	YW90020003000	Small drag plate HB-200EB-A-04(ver.0) W.60)		1	
2	YW69616100000	Manual screw M6×16×16		1	
1	YW20020001900	Discharge port HB-200EB-A-02(ver.A) Long Feng)		1	

序号	代号	名称	材质	数量	备注
----	----	----	----	----	----

					制图	版号	标题	图号	比例	1:3	数量	1
					设计	核准	MB-600EB 磁力底座	MB-600EB-ALL			材质	
					校对		信易電熱機械股份有限公司 Shini Plastics Technologies, Inc.					
标记	更改前	更改后	更改人	日期	审核	日期						
									物料号			