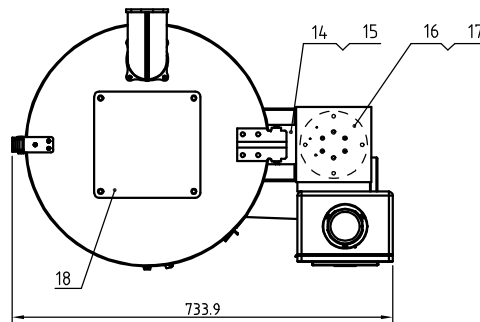
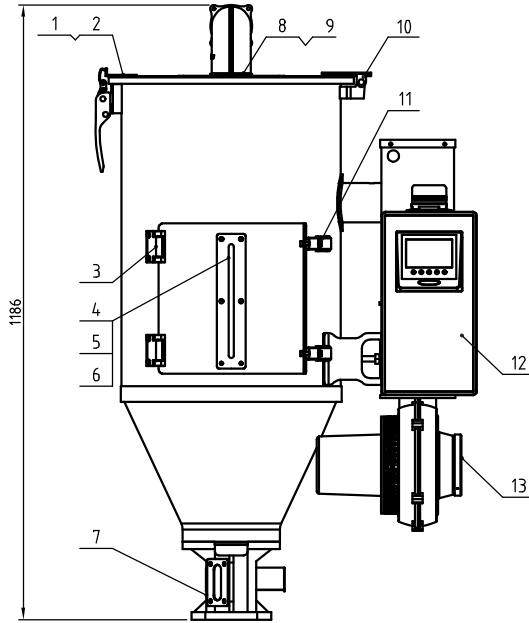
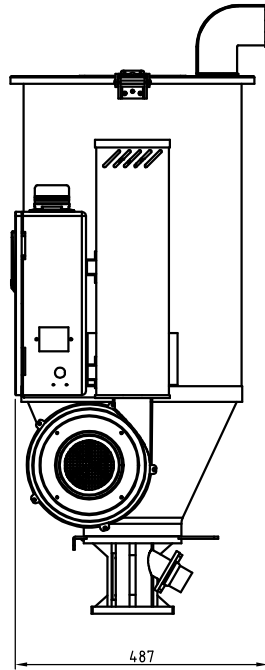


16	BW0920200000	Square plate SEHD-100-A-09(ver.0)	SPCC1.0	1	
15	BE85018000150	Temp. protector 180 degree centigrade L: 1396 (thermal pro.)	Assembly	1	
14	BH70250302150	Pipe heater SEHD-25-B-03 3KW/3φ 400V	Assembly	1	
13	BW72250100610	Heat-resistant insulated pipe SEHD-25-ALL-01	Assembly	1	
12	YE90055501300	thermocouple 5-SSL-MH-1.1MSHD-40U-A-24 (pipe 8 plate)	Assembly	1	
11	BM40002500350	blower 25"3φ380/460V/50/60HZ(white)	Assembly	1	
10	BL01005000720	Short control box SEHD-50-ALL-02(ver.B)	Welding parts	1	
9	YW06125040000	Rear cover knob SHD-12/50(has mould)	Q235A	1	
8	YR10500900300	Exhaust pipe fastener SEHD-50-A-10 (var.0) rubber has mould	Rubber	1	
7	BA10500707010	Exhaust pipe SEHD-50-A-07 (painted)(has mould)	AC4D	1	
6	BY10050003150	Standard base assembly HB-50(ver.B)	Assembly	1	
5	BW09000630040	Plated sight glass iron sheet six hole	SPCC	1	
4	YR40000600000	Sight glass fastener six hole (has mould)SHD-12-A-25	Rubber	1	
3	YR40001200000	Acryl six hole SHD-12-A-26 mat. PC (has mould)	PC	1	
2	YW00001200000	Handle hook SEHD-12-A-14	SPCC3.0	1	
1	YW00121000000	Handle SEHD-25-A-08(ver.0)	Assembly	1	

No.	Material number	Name	Mat.	Num.	Remarks
		Title	Drawing no.		
		SEHD-25	SD-40H-ALL		
		Energy-efficient Hopper Dryer			
		信易電熱機械股份有限公司 Shini Plastics Technologies, Inc.	Scale	1:12	No. 1
			Surface req.	Mat.	
		Mat. No.			

Mark	Before Mod.	After Mod.	Mod. by	Date	App.	Date

Dra.	Ver.	App. by	Date

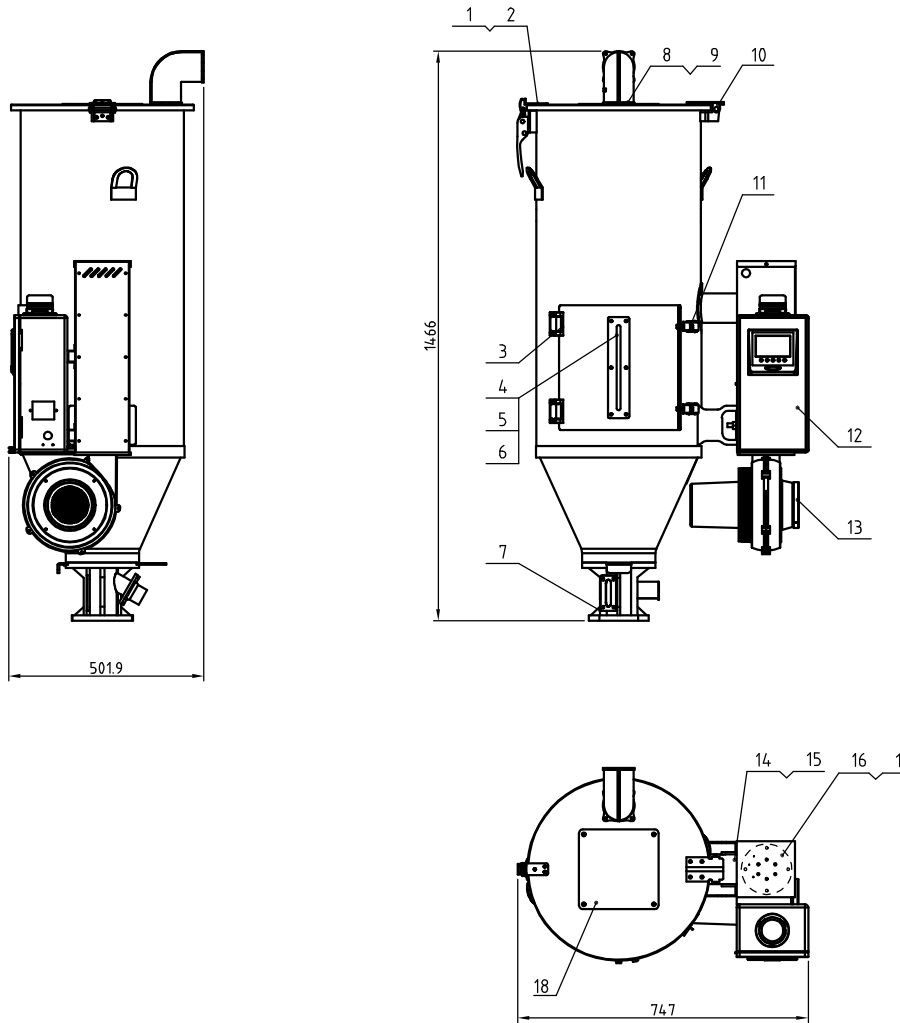


18	BW0920200000	Square plate SEHD-100-A-09(ver.0)	SPCC1.0	1	
17	BE85018000150	Temp. protector 180 degree centigrade L:430(Lthermal pr.)	Assembly	1	
16	BH70504200010	Pipe heater SEHD-50-B-02 3.9KW/3-φ4.00V	Assembly	1	
15	BW72010000610	Heat-resistant insulated pipe SEHD-50-ALL-01	Assembly	1	
14	YE90056500700	Thermocouple S-65L-HB-1.1MSEHD-SQU-ALL-07 (ver. 0)	Assembly	1	
13	BM4.0003000250	Blower 3"φ380/460V/50/60HZ(white)	Assembly	1	
12	BL01005000720	Short control box SEHD-50-ALL-02(ver.B)	Welding parts	1	
11	YW09005800000	Buckle SDP-058(SUS304)	SUS304	2	
10	YW0612504.0000	Rear cover knob SHD-12/50(has mould)	Q235A	1	
9	YR10500900300	Exhaust pipe fastener SEHD-50-A-10 (ver.0) (has mould)	Rubber	1	
8	BA10500707010	Exhaust pipe SEHD-50-A-07 (painted)(has mould)	AC4D	1	
7	BY10050003150	Standard base assembly HB-50	Assembly	1	
6	BW09000630040	Plated sight glass iron sheet six hole	SPCC	1	
5	YR4.0000600000	Sight glass fastener six hole (has mould)SHD-12-A-25	Rubber	1	
4	YR4.0001200000	Acryl six hole SHD-12-A-26 mat. PC (has mould)	PC	1	
3	BH10000012510	Large hinge SEHD-200-A-11 (processed)(ver.0)	Alu. alloy	2	
2	YW00001200000	Handle hook SEHD-12-A-14	SPCC3.0	1	
1	YW00121000000	Handle SEHD-25-A-08(ver.0)	Assembly	1	
No.	Material number	Name	Mat.	Num.	Remarks

					Dra.		Ver.	
					Desi.			
					Check		App. by	
Mark	Before Mod.	After Mod.	Mod. by	Date	App.		Date	

Title		Drawing no.		Scale	No.
SEHD-50		SEHD-50-ALL		1:9	1
Energy-efficient Hopper Dryer				Mat.	
				Surface req.	
				Mat. No.	

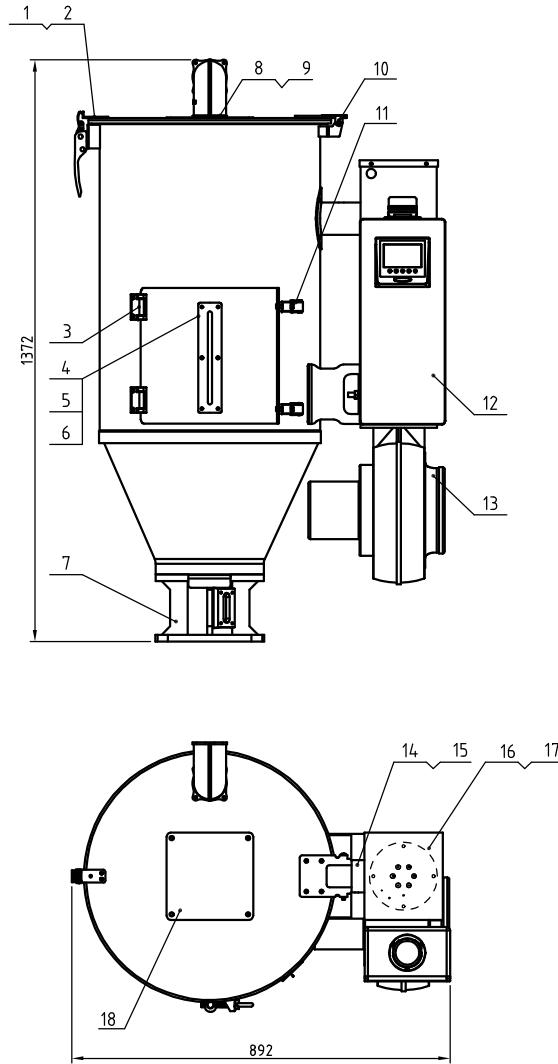




18	BW0920200000	Square plate SEHD-100-A-09(ver.0)(has mould)	SPCC1.0	1	
17	BE85018000150	Temp. protector 180 degree centigrade L: 6398 (thermal pro.)	Assembly	1	
16	BH70750102250	Pipe heater SEHD-75-B-01 4.2KW/3φ 480V(ver.0)	Assembly	1	
15	BW72010000610	Heat-resisitant insulated pipe SEHD-50-ALL-01	Assembly	1	
14	YE90056500700	Thermocouple 5-45L-MB-1 TMSEHD-50U-ALL-07 (ver. 0)	Assembly	1	
13	BM4.0003000250	Blower 3"φ380/460V/50/60HZ(white)	Assembly	1	
12	BL01005000720	Short control box SEHD-50-ALL-02(ver.B)	Welding parts	1	
11	YW09005800000	Buckle SDP-058(SUS304)	SUS304	2	
10	YW0612504.0000	Rear cover knob SHD-12/50(has mould)	Q235A	1	
9	YR10500900300	Exhaust pipe fastener SEHD-50-A-10 (ver.0) (has has mould)	Rubber	1	
8	BA10500707010	Exhaust pipe SEHD-50-A-07 (painted)(has mould)	AC4D	1	
7	BY10050003150	Standard base assembly HB-50	Assembly	1	
6	BW09000630040	Plated sight glass iron sheet six hole	SPCC	1	
5	YR4.0000600000	Sight glass fastener six hole (has mould)SHD-12-A-25	Rubber	1	
4	YR4.0001200000	Acryl six hole SHD-12-A-26 mat. PC (has mould)	PC	1	
3	BH10000012510	Large hinge SEHD-200-A-11 (processed)(ver.0)	Alu. alloy	2	
2	YW00001200000	Handle hook SEHD-12-A-14	SPCC3.0	1	
1	YW00121000000	Handle SEHD-25-A-08(ver.0)	Assembly	1	
No.	Material number	Name	Mat.	Num.	Remarks

Mark	Before Mod.	After Mod.	Mod. by	Date	Dra.	Ver.	App. by	Date

Title	SEHD-75	Drawing no.	SEHD-75-ALL	Scale	1:12	No.	1
	Energy-efficient Hopper Dryer						
SHINI 信易電熱機械股份有限公司			Surface req.		Mat. No.		
Shini Plastics Technologies, Inc.							

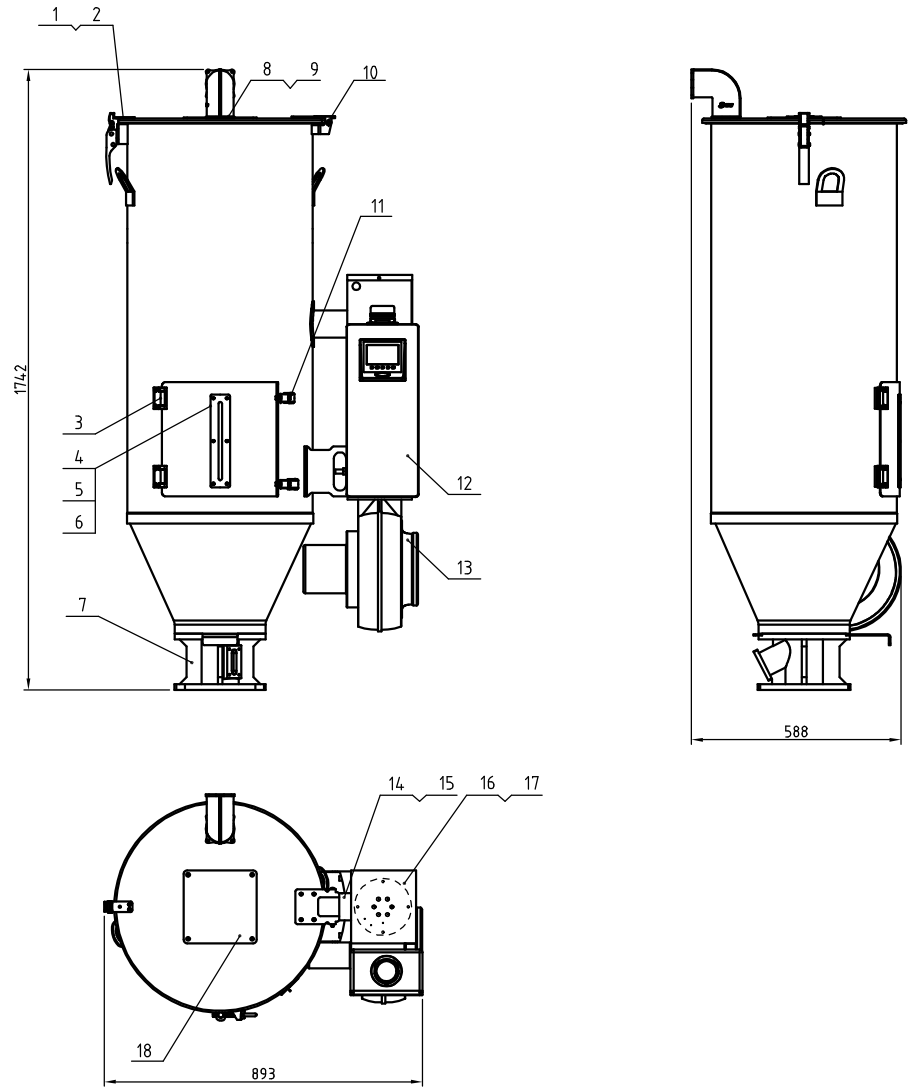


18	BW0920200000	Square plate SEHD-100-A-09(ver.0)(has mould)	SPCC1.0	1	
17	BE85018000150	Temp. protector 180 degree centigrade L:45M(thermal pro.)	Assembly	1	
16	BH70010001150	Pipe heater SEHD-100-B-03 6KW/3-φ 440V/50/60HZ(10)	Assembly	1	
15	BW72010000610	Heat-resistant insulated pipe SEHD-50-ALL-01	Assembly	1	
14	YE90054001300	Thermocouple 5x4.0LxΦ6-15M (SHD-12BU-A-12 pipe ver.A)	Assembly	1	
13	BM40004000150	Blower L:3φ380/460V/50/60HZ(white)	Assembly	1	
12	BL01050000120	Long control box SEHD-500-A-28(ver.B)	Welding parts	1	
11	YW09005800000	Buckle SDP-05B(SUS304)	SUS304	2	
10	YW06102000000	Rear cover knob SEHD-100-A-10(ver.0)(has mould)	Q235A	1	
9	YR10500900300	Exhaust pipe SEHD-50-A-10 (ver.W) rubber(has mould)	Rubber	1	
8	BA10500707010	Exhaust pipe SEHD-50-A-07 (painted)(has mould)	AC4D	1	
7	BY10200000050	Standard base assembly HB-200	Assembly	1	
6	BW09000630040	Plated sight glass iron sheet six hole	SPCC	1	
5	YR40000600000	Sight glass fastener six hole (has mould)SHD-12-A-25	Rubber	1	
4	YR40001200000	Acryl six hole SHD-12-A-26 mat. PC (has mould)	PC	1	
3	BH10000012510	Large hinge SEHD-20W-A-11 (processed)(ver.0)	Alu. alloy	2	
2	YW00001200000	Handle hook SEHD-12-A-14	SPCC3.0	1	
1	YW00121000000	Handle SEHD-25-A-08(ver.0)	Assembly	1	
No.	Material number	Name	Mat.	Num.	Remarks

Mark	Before Mod.	After Mod.	Mod. by	Date	App.	Date

Title	SEHD-100	Drawing no.	SEHD-100-ALL	Scale	No.	1
	Energy-efficient Hopper Dryer			Mat.		
				Surface req.		
				Mat. No.		



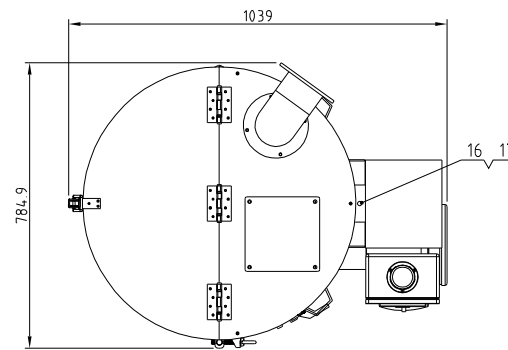
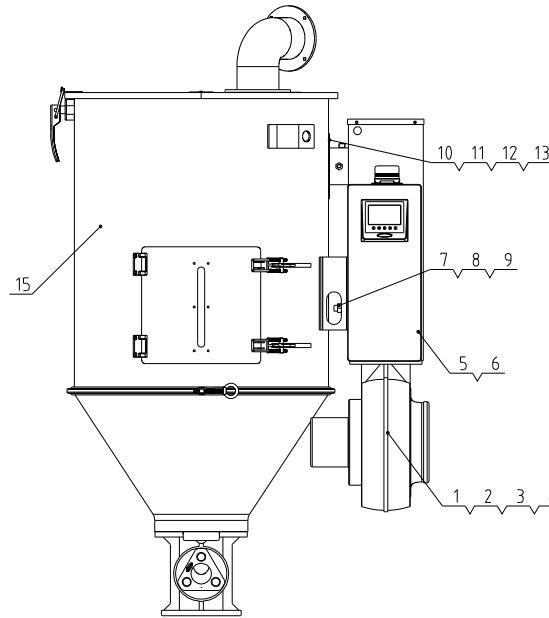
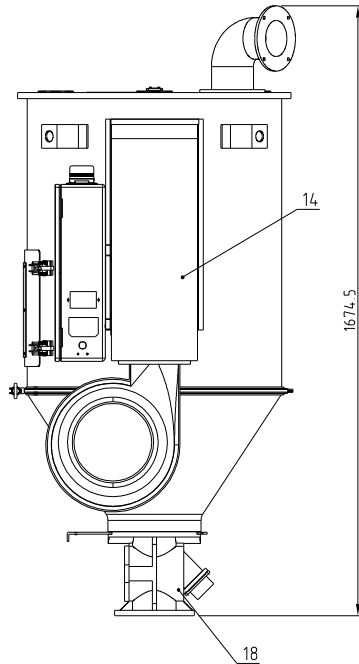


18	BW09202000000	Square plate SEHD-100-A-09(ver.0)(has mould)	SPCC1.0	1	
17	BE85018000150	Temp. protector 180 degree centigrade 1.5/30(thermal p.c.)	Assembly	1	
16	BH70015000150	Pipe heater SEHD-150-B-01 6.6kW/3-φ 400V/50/60HZ(A)	Assembly	1	
15	BW72010000610	Heat-resistant insulated pipe SEHD-100-ALL-01	Assembly	1	
14	YE90054001300	Thermocouple 5=4DL-M8-1.5M (SHD-120U-A-12 pipe ver.A)	Assembly	1	
13	BM40004000150	Blower 4"3φ380/460V/50/60HZ(white)	Assembly	1	
12	BL01050000120	Long control box SEHD-500-A-28(ver.B)	Welding parts	1	
11	YW09005800000	Buckle SDP-058(SUS304)	SUS304	2	
10	YW06102000000	Rear cover knob SEHD-100-A-10(ver.0)(has mould)	Q235A	1	
9	YR10500900300	Exhaust pipe fastener SEHD-50-A-9(ver.0)(has mould)	Rubber	1	
8	BA10500707010	Exhaust pipe SEHD-50-A-47 (painted)(has mould)	AC4D	1	
7	BY10200000050	Standard base assembly HB-200	Assembly	1	
6	BW09000630040	Plated sight glass iron sheet six hole	SPCC	1	
5	YR40000600000	Sight glass fastener six hole (has mould)(SHD-12-A-25)	Rubber	1	
4	YR40001200000	Acryl six hole SHD-12-A-26 mat. PC (has mould)	PC	1	
3	BH10000012510	Large hinge SEHD-200-A-11(processed)(ver.0)	Alu alloy	2	
2	YW00001200000	Handle hook SEHD-12-A-14	SPCC3.0	1	
1	YW00121000000	Handle SEHD-25-A-08(ver.0)	Assembly	1	

Mark	Before Mod.	After Mod.	Mod. by	Date	App.	Date

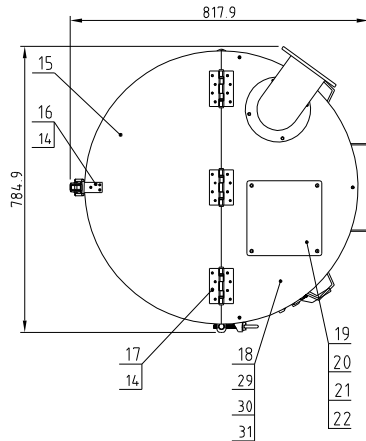
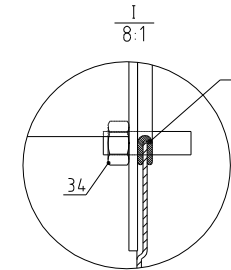
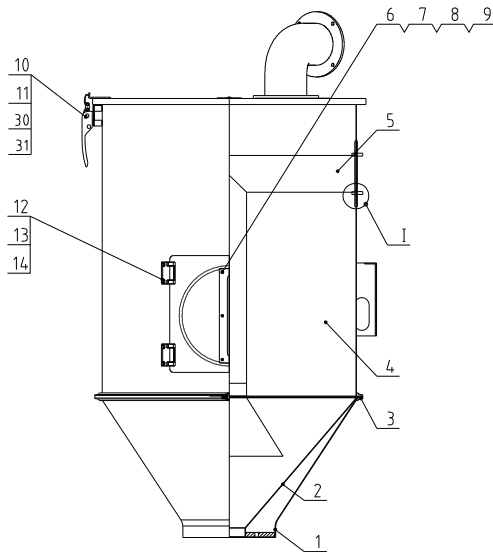
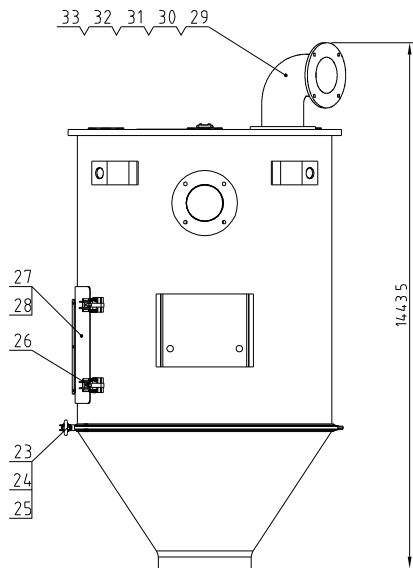
Title		Drawing no.		Scale	No.	1
SEHD-150		SEHD-150-ALL				
Energy-efficient Hopper Dryer					Mat.	
信易電熱機械股份有限公司 Shini Plastics Technologies, Inc.				Surface req.		
				Mat. No.		

Drying blower power	Drying heater power	Hopper capacity	Ver
0.35kW	8.4kW	200kg	Ver.B



18	BY10100000050	Magnetic base MB-100	组合件	1	
17	SEHD-200-A-12	Heat-insulated heat-resisting pipe	组合件	1	
16	YE90054.001300	风管(φ1039×1300×1.2)	组合件	1	
15	SEHD-200-A-ALL	Drying barrel	组合件	1	
14	SEHD-200-B-ALL	Heating box	组合件	1	
13	YW640814.00000	Hexagonal nut GB/T52 MB8		4	
12	YW660816.00000	Flat washer A grade GB/T97.1 GB12		8	
11	YW65008000100	Standard spring washer GB/T93 8		4	
10	YW60083000200	Hexagon head bolt GB/T5783 M8×20-8.8		4	
9	YW65012000000	Standard spring washer GB/T93 12		2	
8	YW66024.130000	Flat washer A grade GB/T97.1 12		2	
7	YW64012100000	Hexagonal nut GB/T6170 M12		2	
6	YW63061000000	Cross recessed pan head screw GB/T618		4	
5	BL01500200121	Control box long box SEHD-500-A-28	组合件	1	
4	YW660816.00000	Flat Washer Grade A (8.4×16×1.6)		4	
3	YW65008000100	Standard spring washer GB/T93 8		4	
2	YW60082000200	Hexagon head bolt GB/T5783 M8×20-8.8		4	
1	BM40535000150	Blower 5"	组合件	1	
序号	代号	名称	材料	数量	备注

					制图	版号	标题 SEHD-200-400V	图号	比例 1:13	数量	
					设计	核准	高效节能料斗干燥机			材质	
					校对			信易电热机械股份有限公司	表面要求		
标记	更改前	更改后	更改人	日期	审核	日期		Shini Plastics Technologies, Inc.	物料号	/	

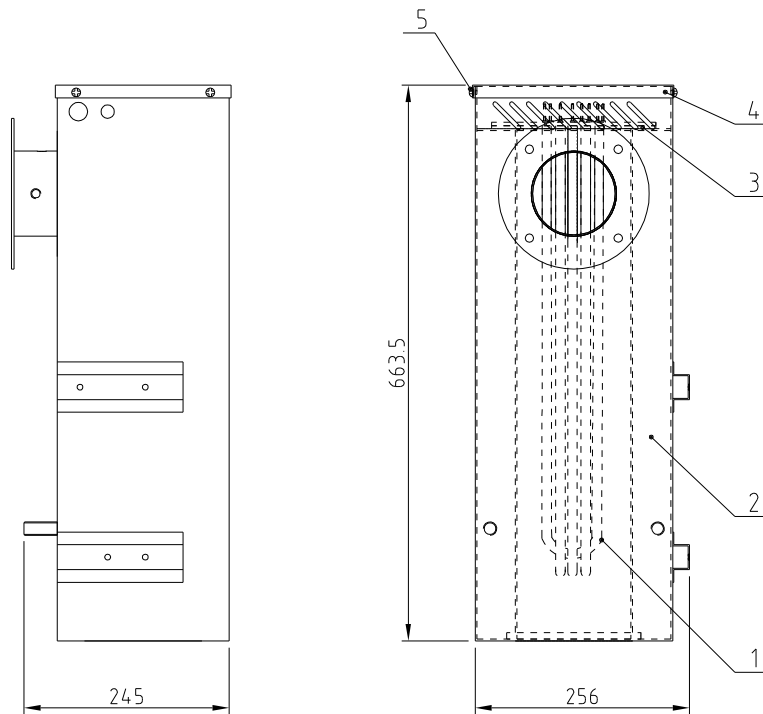


34	BL01020002220	External hopper SEHD-200-A-01 (version 0)	Weldment	1	
33	BL01020006620	Inner hopper SEHD-200-A-02	Weldment	1	
32	YR10129800100	Material: 2024 Aluminum alloy / Material: "K" Acrylic resin / Material: transparent silica gel	transparent silica gel	2.62	
31	SEHD-200-A-03	Storage bucket body	Assembly	1	
30	BL01200500120	Lower air duct SEHD-200-A-06 (existing version 0)	SUS201	1	
29	BW09000630040	Steel mesh cover (inner plate) SEHD-200-A-06 (existing version 0)	SPCC2.5	1	
28	YR40001200000	Acrylic six hole SEHD-12-A-26	PC	1	
27	YR40000600000	Flange for rotating rubber with air holes SEHD-200-A-05	Rubber	1	
26	YW64000500000	Hex stainless steel hexagonal locking nut Q190A.1.6		6	
25	YW00121000000	Handle SEHD-200-A-08 (version 0) (with mold)	Assembly	1	
24	YW60061200000	Hexagonal head bolt Q190A.1.6 M12x12.5-hex nut		2	
23	BH10000012510	Large hinges	Assembly	2	
22	YW63050800000	Cross groove pin head screw Q190A.1.6 M12x12.5-hex nut		38	
21	YW61051000000	Hexagonal head bolt screw Q190A.1.6 M12x12.5-hex nut		4	
20	SEHD-200-A-07	Left half bucket lid	SPCC15	1	
19	YW00251000000	Handle Block SEHD-12/1000 (with mold)	Q235	1	
18	YW06000400000	Stainless steel flange 4-hole (SEHD-200-A-08)	Assembly	3	
17	SEHD-200-A-08	Right half bucket lid	SPCC15	1	
16	BW09202000000	Steel mesh cover SEHD-200-A-06 (version 0) (with mold)	SPCC10	1	
15	YW60082500100	Hexagonal head bolt Q190A.1.6 M12x12.5-hex nut		4	
14	YW66081600000	Flat washer Q190A.1.6 M12x12.5-hex nut		4	
13	YW65008000100	Standard spring washer Q190A.1.6 M12x12.5-hex nut		4	
12	BL01200103520	Barrel Hoop SEHD-200-A-10		1	
11	YW60000800100	Inner lid of SEHD-200-A-06 (version 0)		1	
10	YW09088000100	Stainless steel mesh cover Q190A.1.6 M12x12.5-hex nut (version 0)		1	
9	YW09043100100	Long key stainless steel mesh cover Q190A.1.6 M12x12.5-hex nut (with locking pin)	Assembly	2	
8	SEHD-200-A-06	Clean the door		1	
7	YL01005000900	White silica gel	White silica gel	1	
6	BA10020000210	AC4D	AC4D	1	
5	YR10204000000	Rubber	Rubber	1	
4	YW60062000100	Hexagonal head bolt Q190A.1.6 M12x12.5-hex nut		7	
3	YW65006000100	Standard spring washer Q190A.1.6 M12x12.5-hex nut		9	
2	YW66061300000	Flat washer Class A Q190A.1.6 M12x12.5-hex nut		9	
1	YW64000800100	Hex stainless steel hexagonal locking nut Q190A.1.6		4	

序号	代号	名称	材料	数量	备注
	SEHD-200	干料桶	比例 1:13	数量 1	
	SEHD-200-A-ALL		材质 /		
			表面要求		
			物料号	/	

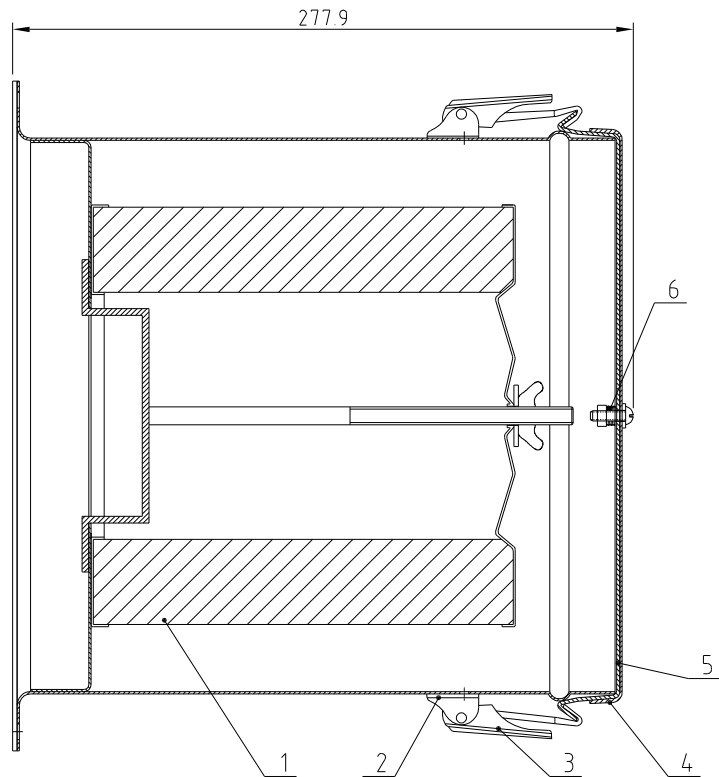
制图	版号	标	图
设计	核	SEHD-200	SEHD-200-A-ALL
校对	准	干料桶	
标记	更改前	更改后	更改人
	日期	日期	日期





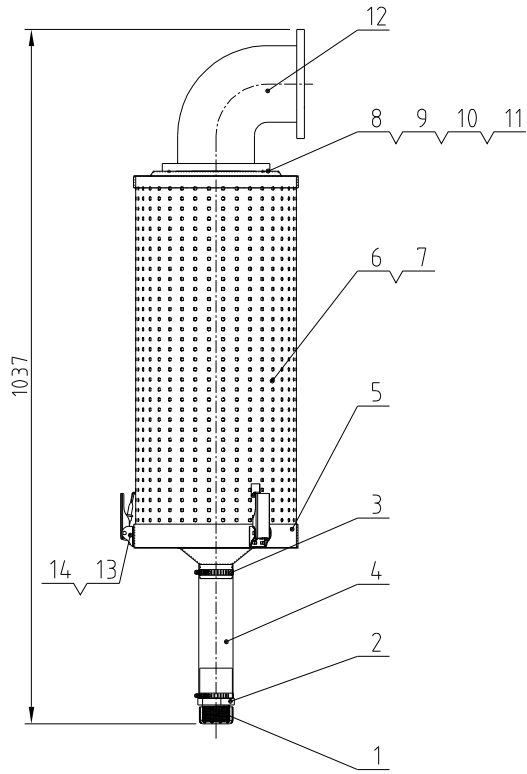
5	YW63050800000	Cross recessed pan head screw GB/T-818		8	
4	SEHD-200-B-03	Heating box cover	SPCC15	1	
3	YR10020000600	Blower fastener SEHD-200-t-13 white silica gel		1	
2	SEHD-200-B-01	Heating box body	Assembly	1	
1	BH70020001350	Pipe heater SEHD-200-B-02 8.4KW/3Φ400V	Assembly	1	
序号	代号	名称	材料	数量	备注

					制图	版号	标题 SEHD-200-400V	图号	比例	1:8	数量	1
					设计	核准	加热箱	SEHD-200-B-ALL			材质	
					校对			信易電熱機械股份有限公司 Shini Plastics Technologies, Inc.	表面要求			
标记	更改前	更改后	更改人	日期	审核	日期			物料号	/		



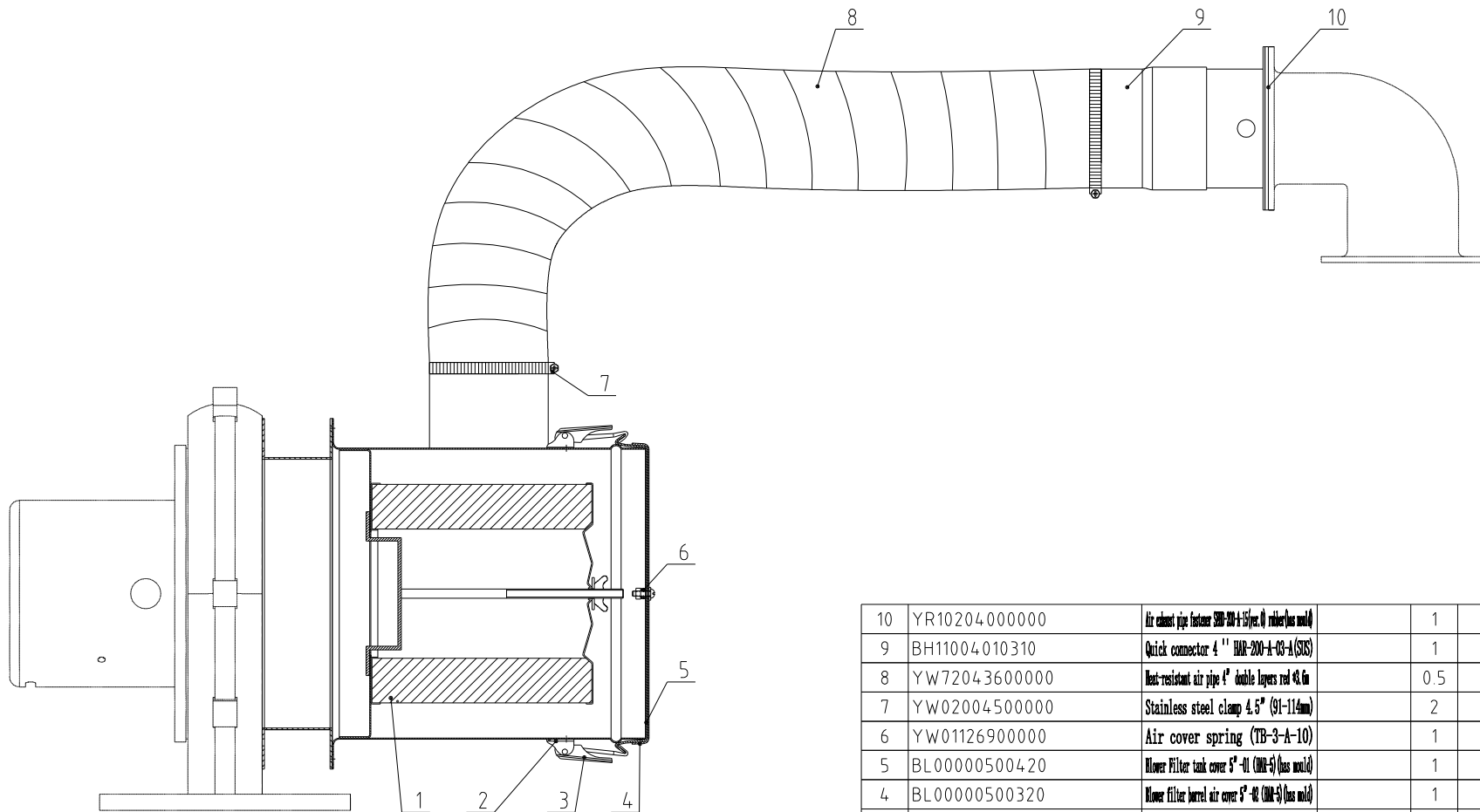
6	YW01126900000	Air cover spring (TB-3-A-10)		1	
5	BL00000500420	Blower Filter tank cover 5"-41 (HAM-5) (has mold)		1	
4	BL00000500320	Blower filter barrel air cover 5"-40 (HAM-5) (has mold)		1	
3	YW02003000400	Spring buckle adjustable SHL-6U-A-35		2	
2	YR40000600800	Snap hook plastic red SHL-6U (white) (has mold)		2	
1	YR50181900000	Filter HAM ext. 100* inner 114/89* height 191		1	
序号	代号	名称	材料	数量	备注

					制图	版号	标题	AIF-200	图号	AIF-200-ALL	比例	1:3	数量	
					设计	核准	风机入口过滤器					材质		
					校对		SHINI 信易電熱機械股份有限公司 Shini Plastics Technologies, Inc.				表面要求			
标记	更改前	更改后	更改人	日期	审核	日期		物料号	/					



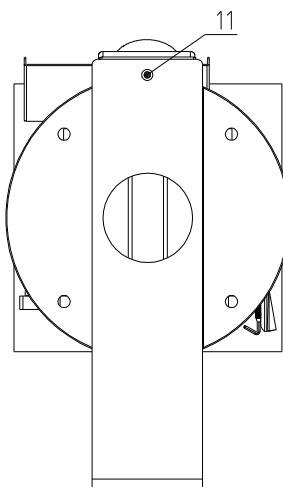
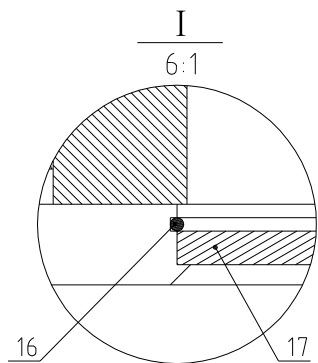
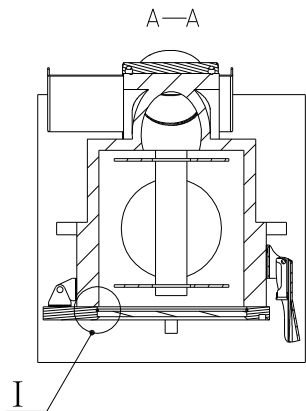
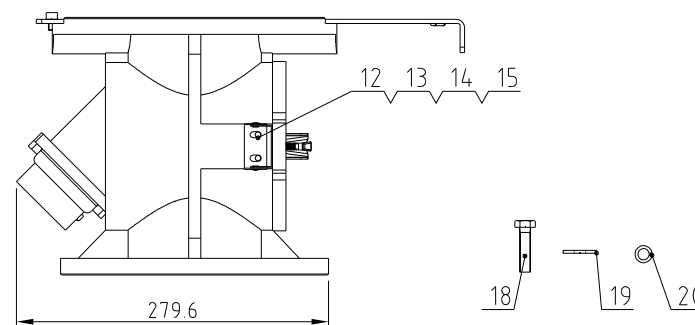
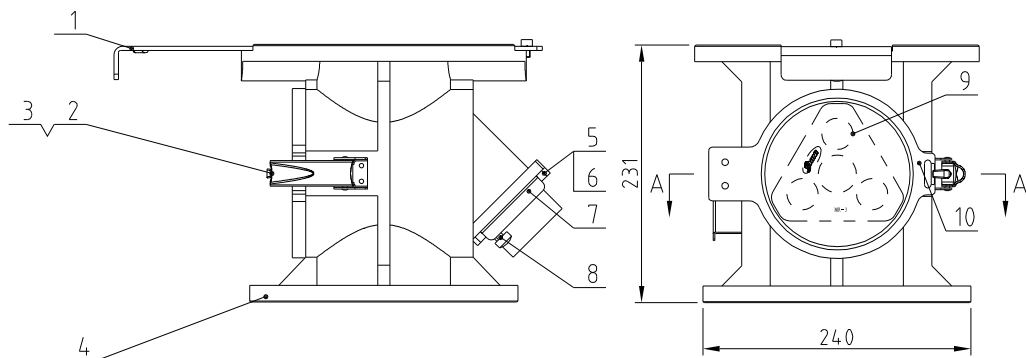
14	YW64040700100	Non-metal inserted hexagon lock nut GB/T899.1 4		6	
13	YW02003000400	Spring buckle adjustable SML-60-A-35(Ver.C)		3	
12	BA10020000210	Air exhaust pipe SSW-200+11(200/100) (Ver.0)(material has mold)	ZL101	1	
11	YR10204000000	Air exhaust pipe fastener SSW-200/400	Rubber	1	
10	YW66061300000	Flat Washer Grade A GB/T97.1 6		4	
9	YW65006000100	Standard spring washer GB/T93 6-Longzine		4	
8	YW60062000100	Hexagon head bolt GB/T5781 M6x20		4	
7	YR50241400100	Filter M3 fastener rubber (SW-200H+AL-1)(Ver.1)	Assembly	1	
6	ADC-3-A-02	Filter external shell	Weldment	1	
5	ADC-3-A-01	Lower cover	Weldment	1	
4	YE66515800000	PVC transparent hose 2"	PVC	1	L=200mm
3	YW02002500000	Stainless steel pipe clamp 2.5"	SUS201	2	
2	YR40012500000	Plastics connector 1.25"	Assembly	1	
1	YR40000000100	Bottom plug ADC-1-A-05 Ver.0(has mold)	HCF	1	
序号	代号	名称	材料	数量	备注

					制图	版号	标题	ADC-3	图号	ADC-3-ALL	比例	1:10	数量	1
					设计	核准	通风空气滤清器					材质	/	
					校对		SHINI 信易電熱機械股份有限公司 Shini Plastics Technologies, Inc.				表面要求			
标记	更改前	更改后	更改人	日期	审核	日期		物料号	/					



10	YR10204000000	Air exhaust pipe fastener 5/8"-20x1-1/2"(see 0) rubber(has mold)	1		
9	BH11004010310	Quick connector 4" HAR-200-A-03-A(SUS)	1		
8	YW72043600000	Heat-resistant air pipe 4" double layers real 0.6m	0.5		
7	YW02004500000	Stainless steel clamp 4.5" (91-114mm)	2		
6	YW01126900000	Air cover spring (TB-3-A-10)	1		
5	BL00000500420	Blower filter tank cover 5" -01 (GMR-5) (has mold)	1		
4	BL00000500320	Blower filter barrel air cover 5" -02 (GMR-5) (has mold)	1		
3	YW02003000400	Spring buckle adjustable SAL-6U-A-35	2		
2	YR40000600800	Snap hook plastic red SAL-6U(white) (has mold)	2		
1	YR50181900000	Filter HAR ext. 100* inner 114/80* height 191	1		
序号	代号	名称	材料	数量	备注

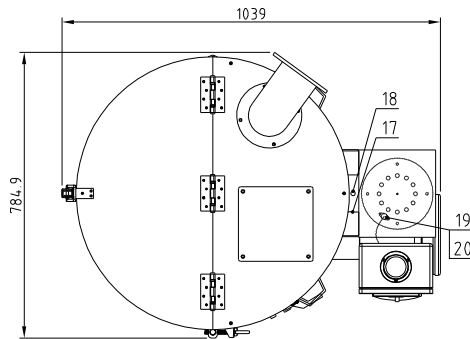
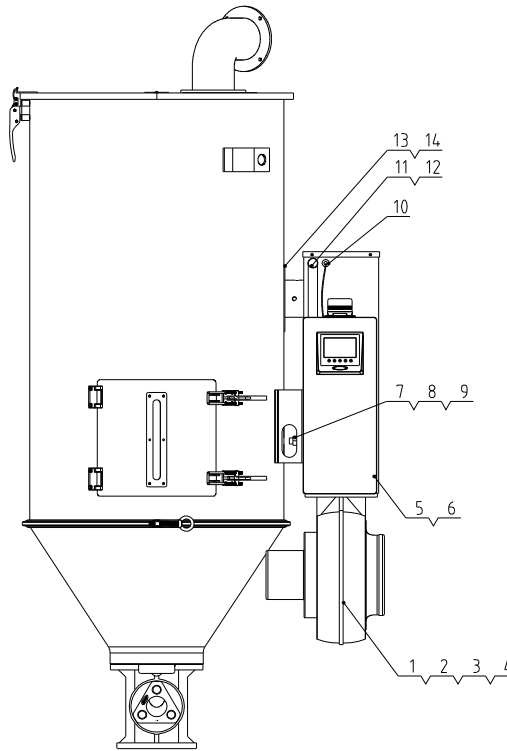
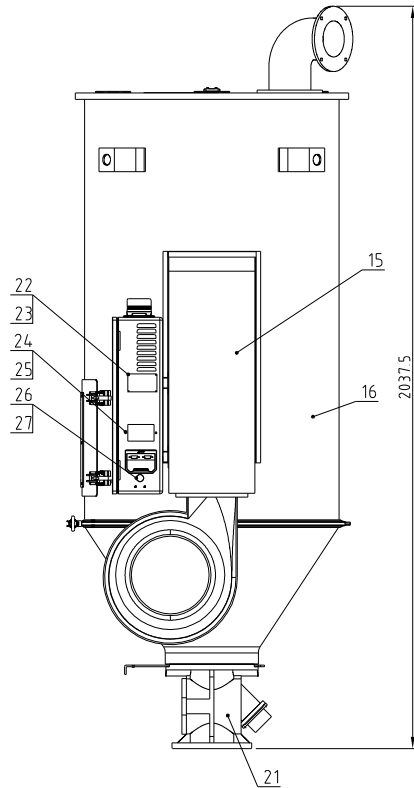
					制图	版号	标题	HAR-200	图号	比例	1:5	数量	1
					设计	核准	热回收器					材质	
					校对		信易電熱機械股份有限公司 Shini Plastics Technologies, Inc.			表面要求			
标记	更改前	更改后	更改人	日期	审核	日期					物料号	/	



20	YW65010000000	Standard spring washer Q/793 10 Longzine	4		
19	YW66102500000	Flat Washer 10x25x1.5 Longzine	4		
18	YW60104000100	Hexagon head bolt Q/73783 M10x40-8.8-Longzine	4		
17	YW70134500000	Sight window MME(φ134xmm)M-100-1-04(ver.0)(Material: PC)	1		
16	YW01010000000	Magnetic base spring MB-100-A-03(ver.0)	1		
15	YW64000500000	Hexagonal nut M5 anti-loosening	2		
14	YW62052000000	Large cross socket flat head screw JS1111 M4x20-Longzine	2		
13	YW67050800000	Cross socket pin head self-tapping lock screw Q550 M4 Longzine	2		
12	YW09050200000	Magnetic base hinge S20-A-12 Ver.0(has mould)	1		
11	YW61061001800	Hexagon socket head screw Q70.1 M10x12-70(S/S)	1		
10	BA10010000210	Magnetic base glass frame MB-100-A-02 Ver.0(Processed)	1		
9	BY10310000050	Hopper magnet MR-3(100/200KG)	1		
8	YW69616100000	Hand screw M5* Length 16 * Screw head 16	1		
7	YW09106000000	Small shut-off plate S20-100/200(has mould)S20-200-1-16 ver.1	1		
6	YW67051500600	Cross socket pin head self-tapping lock screw Q550 M6 Longzine	4		
5	YA10010000230	Material discharge part (with mold)S20-200-1-17(ver.0)	1		
4	BA20010000310	Magnet base body MB-100-A-01 ver.0(Processed)	1		
3	YW67040600600	Cross socket pin head self-tapping lock screw Q550 M6	2		
2	YW02003000400	Adjustable spring buckle SAL-01-A-35(ver.C)	1		
1	YW09102000000	Large shut-off plate MB-200-1-02(ver.0)(has mould)	1		
序号	代号	名称	材料	数量	备注

					制图	版号	标题	MB-100	图号	比例	1:6	数量	1
					设计	核准	磁力底座		MB-100-ALL			材质	/
					校对		信易電熱機械股份有限公司 Shini Plastics Technologies, Inc.			表面要求		/	
标记	更改前	更改后	更改人	日期	审核	日期					物料号		/

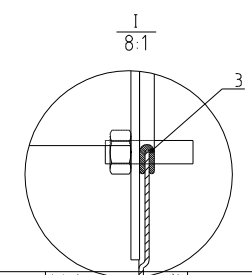
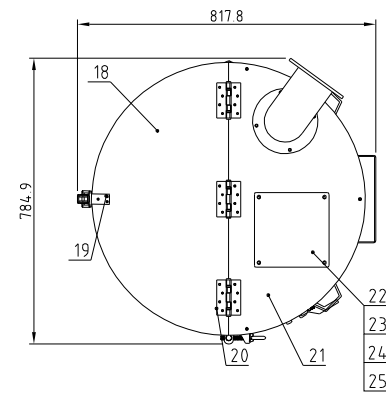
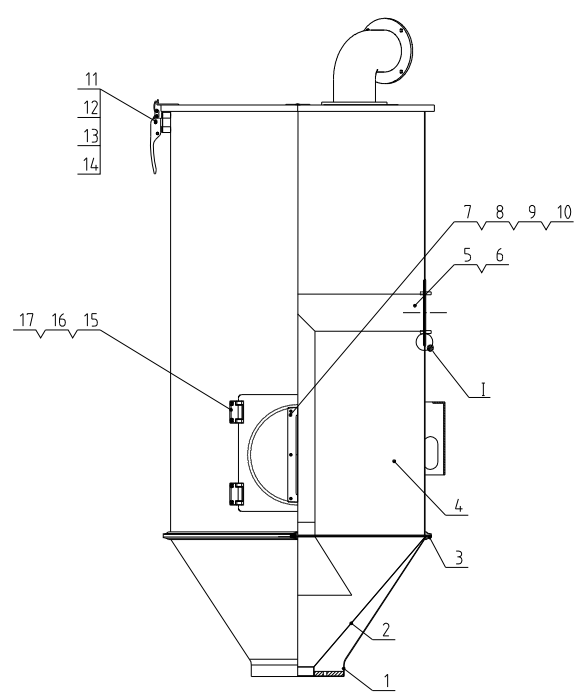
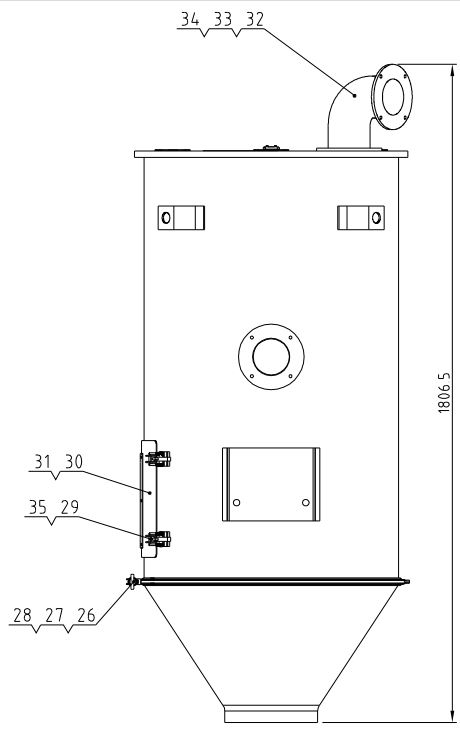
Drying blower power	Drying heater power	Hopper capacity	Ver.
0.35kW	9.6kW	300kg	Ver.B



27	YW67042000600	Cross recessed pan head locking screw		2	
26	YR40002600000	High torque 304 stainless steel ball bearing		1	
25	YW67040600600	Cross recessed pan head locking screw		2	
24	BL01005009820	Circuit breaker fixing plate SBD-12-4U	SPCC10	1	
23	YW69020500000	Rivet GB/T 827 2x5		4	
22	YP30804900700	Aluminum plate nameplate group general		1	
21	BY10100000050	Magnetic base MB-100	Assembly	1	
20	BE85018000150	Temperature protector 180°C	Assembly	1	
19	YW63030600000	Cross recessed pan head screw GB/T 6170		2	
18	YW80010200100	Plug 1/4		1	
17	YE90054001300	Thermocouple 5*40L*MS*1.5M	Assembly	1	
16	SEHD-300-A-ALL	Drying hopper	Assembly	1	
15	SEHD-300-B-ALL	Heating case	Assembly	1	
14	BW72201200610	Hexagonal nut M8 (anti-loose)	Assembly	1	
13	YW60082010000	Hexagonal nut M8 (anti-loose)	SUS202	4	
12	YE66018500000	Nylon hose PA6-AD18.5B	PA6	0.4	
11	YE67013500700	Quick hose connector W61-P11.5M/D18.5	PA66	1	
10	YR30000000200	Rubber stopper SBD small SBD-200	Butyl Rubber	1	
9	YW65012000000	Standard spring washer GB/T93 12		2	
8	YW66024130000	Flat washer A grade GB/T97.1 12		2	
7	YW64012100000	Hexagonal nut GB/T6170 M12		2	
6	YW63061000000	Cross recessed pan head screw GB/T 6170		4	
5	BL01500200121	Control box long box SBD-300-A-2B	Assembly	1	
4	YW66081600000	Flat Washer Grade A (8.4#18*1.6)		4	
3	YW65008000100	Standard spring washer GB/T93 8		4	
2	YW60082500100	Hexagon head bolt GB/T5782 M25*12.9		4	
1	BM40535000150	Blower 5"	Assembly	1	

					制图	版号
					设计	核准
					校对	日期
标记	更改前	更改后	更改人	日期	审核	日期

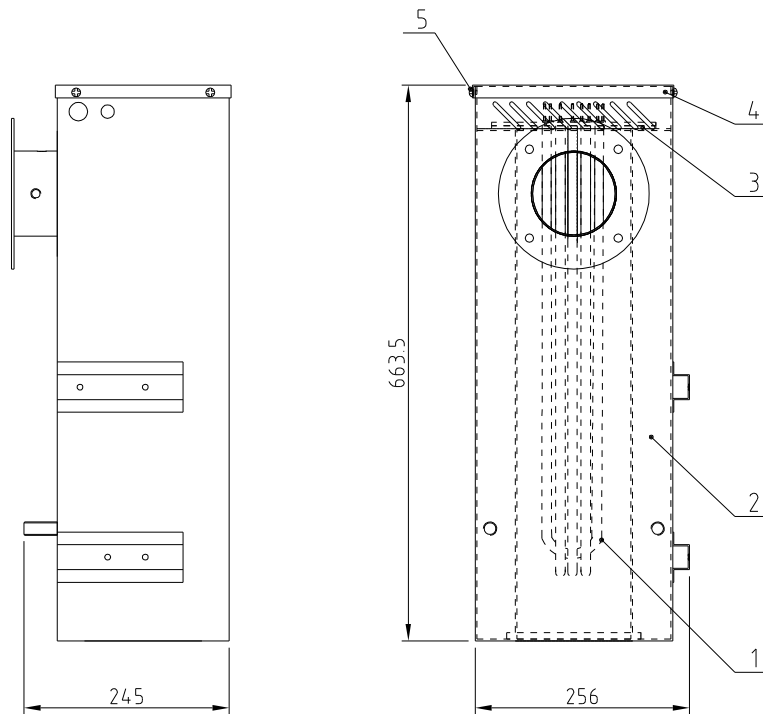
标题	SEHD-300-400V	图号		比例	1:1	数量	
	高效节能料斗干燥机						材质
信易电热机械股份有限公司 Shini Plastics Technologies, Inc.				表面要求			
				物料号			/



36	BL01020002220	外科斗SEHD-200-A-01(0版)	材料	1	
35	YW62050500000	Cross recessed flat head screw JS1111	数量	4	
34	YR10204000000	Air exhaust pipe fastener SEHD-200-A-15	材料	Rubber	1
33	YW60061500010	Hexagon head bolt G/7578 Mx20-12.9	材料	AC4D	4
32	BA10020000210	Exhaust pipe SEHD-200-A-14(200/1000)	材料	White silica gel	1
31	YL01005000900	Cleaning door tight SEHD-30-A-18	材料	White silica gel	1
30	SEHD-200-A-06	Cleaning door	数量	1	
29	YW09043100100	Heavy duty adjustable door buckle 431	数量	2	
28	YW09088800100	Stainless Steel Wing Nut M8 (with 1/4" hex)	数量	1	
27	YW60000800100	Turner nut M8 SEHD-200-A-10 (version 0)	数量	1	
26	BL01200103520	Barrel hoop SEHD-200-A-10 (welding)	数量	1	
25	YW65008000100	Standard spring washer G/759 8	数量	4	
24	YW66081600000	Flat Washer Grade A (R.4x10x1.6)	数量	4	
23	YW60082500100	Hexagon head bolt G/7578 Mx20-12.9	材料	SPCC10	4
22	BW09202000000	Spacers plate SEHD-200-A-02 (see note)	材料	SPCC15	1
21	SEHD-200-A-08	Right Half Bucket Cover	材料	Assembly	1
20	YW06000400000	Stainless steel hinge 4"es	材料	Assembly	3
19	YW00251000000	Handle hook SEHD-25-A-09	材料	Q235	1
18	SEHD-200-A-07	Left Half Bucket Cover	数量	1	
17	YW61051000000	Hexagon socket head screw G/774.1	数量	4	
16	YW63050800000	Cross recessed pan head screw G/7-818	数量	38	
15	BH10000012510	Large hinge SEHD-200-A-11	数量	2	
14	YW66061300000	Flat Washer Grade A G/759.1 6-3/16 Hex	数量	5	
13	YW65006000100	Standard spring washer G/759 6	数量	5	
12	YW60062000100	Hexagon head bolt G/7578 Mx20	材料	Assembly	5
11	YW00121000000	Handle SEHD-25-A-08	数量	1	
10	YW64000500000	Hexagonal nut M8 anti-loosening	材料	Rubber	6
9	YR40000600000	Clamping six holes SEHD-12-A-11	材料	Rubber	1
8	YR40001200000	Acrylic six-hole SEHD-12-A-12	材料	PC	1
7	BW09000630040	Stainless steel ring SEHD-12-A-16	材料	SUS202	1
6	YW60082010000	Hexagonal nut M8 (anti-loose)	材料	SUS202	4
5	BL01200500120	Down blow duct SEHD-200-A-05	材料	SUS201	1
4	SEHD-300-A-01	Storage barrel	材料	Weldment	1
3	YR10129800100	Barrel tightener SEHD-25	材料	transparent silica gel	2.62
2	BL01020006620	Inner hopper SEHD-200-A-02	材料	Weldment	1
1	BL01020002220	External hopper SEHD-200-A-01	材料	Weldment	1

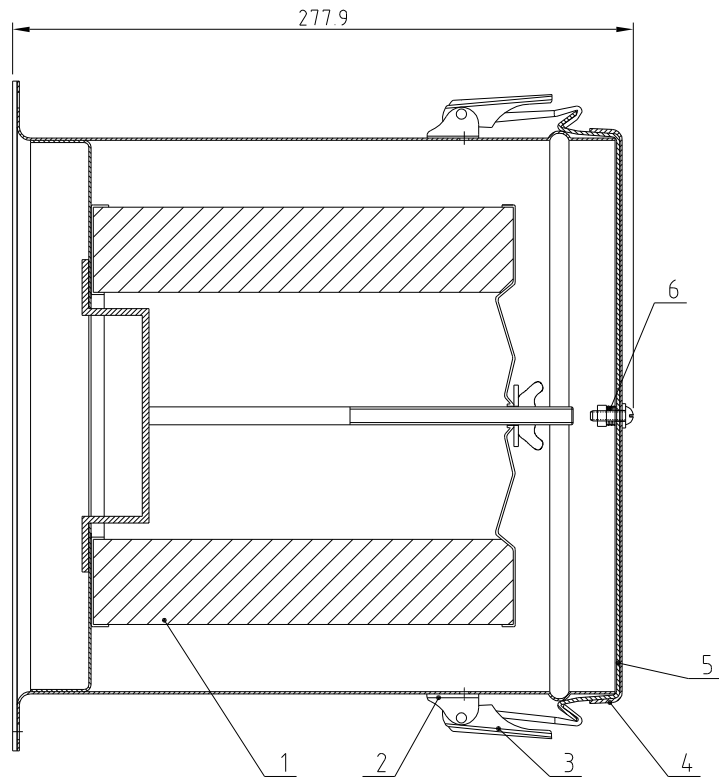
					制图	版号
					设计	核准
					校对	日期
标记	更改前	更改后	更改人	日期	审核	日期

标题	SEHD-300	图号	SEHD-300-A-ALL	比例	1:1	数量	
	干料桶					材质	/
SHINI 信易电热机械股份有限公司 Shini Plastics Technologies, Inc.				表面要求			
				物料号			/



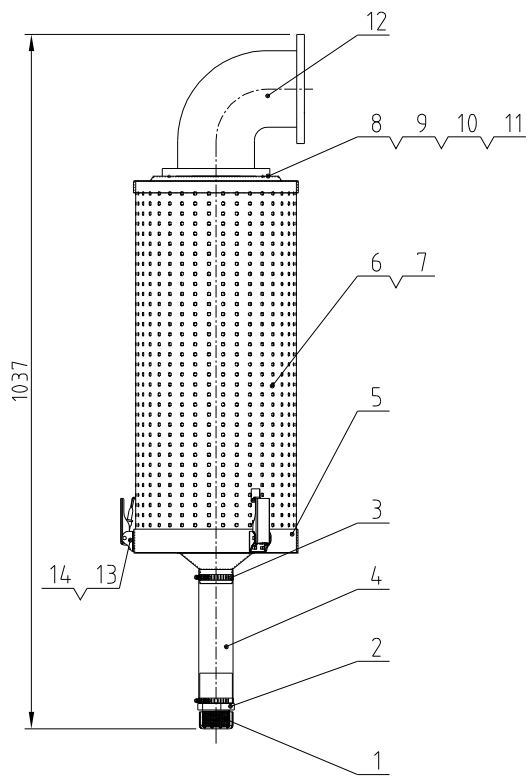
5	YW63050800000	Cross recessed pan head screw Ø7-Ø10 5d-Longline		8	
4	SEHD-200-B-03	Heating case cover	SPCC15	1	
3	YR10020000600	Blower fastener SEHD-200-t-13 white silica gel		1	
2	SEHD-200-B-01	Heating box body	Assembly	1	
1	BH70030000650	Pipe heater SEHD-300-B-01 9.6KW/3Ø400V	Assembly	1	
序号	代号	名称	材料	数量	备注

					制图	版号	标题 SEHD-300-400V	图号	比例	1:8	数量	1
					设计	核准	加热箱	SEHD-300-B-ALL			材质	
					校对		信易電熱機械股份有限公司 Shini Plastics Technologies, Inc.	表面要求				
标记	更改前	更改后	更改人	日期	审核	日期		物料号			/	



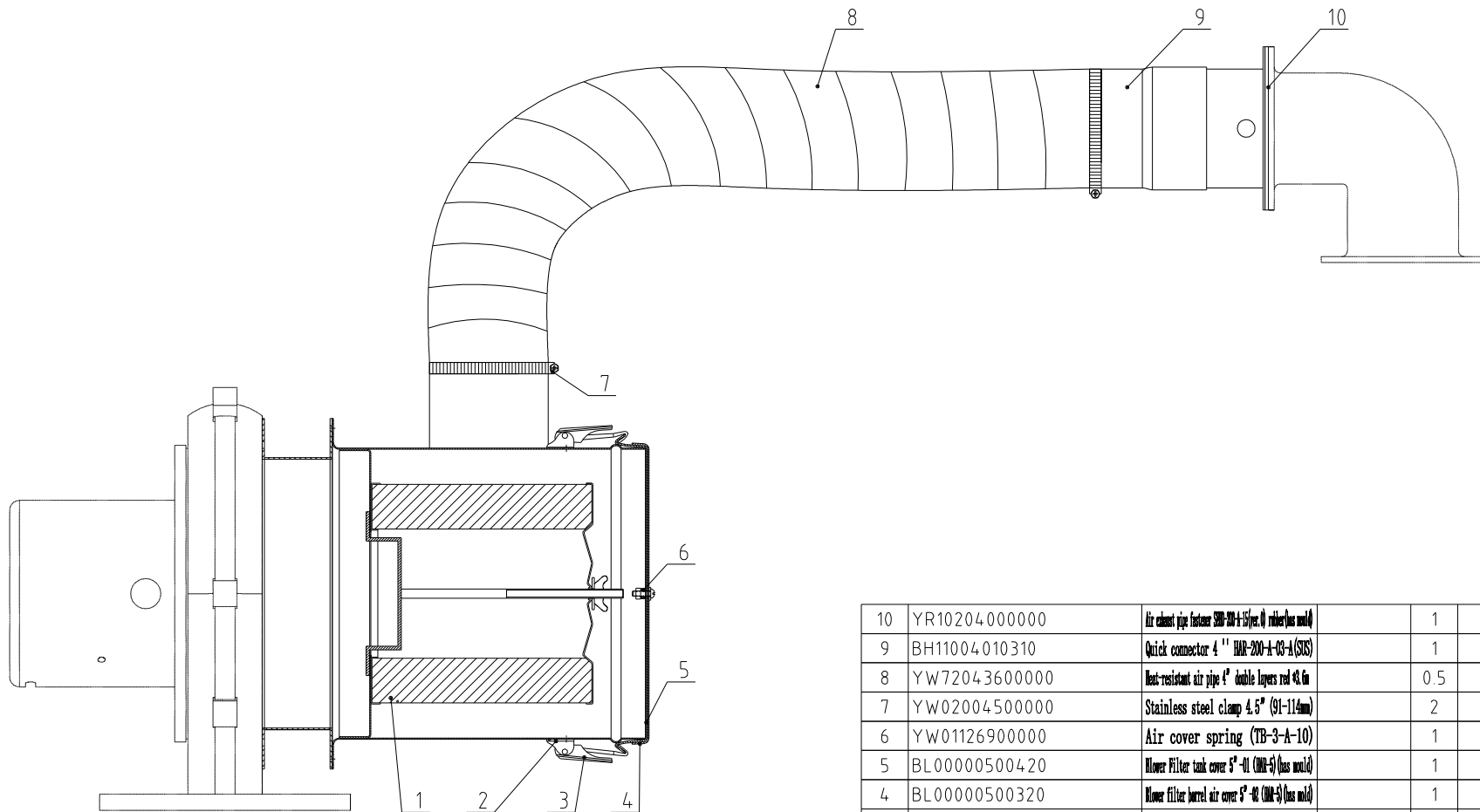
6	YW01126900000	Air cover spring (TB-3-A-10)		1	
5	BL00000500420	Blower Filter tank cover 5"-41 (HAM-5) (has mold)		1	
4	BL00000500320	Blower filter barrel air cover 5"-40 (HAM-5) (has mold)		1	
3	YW02003000400	Spring buckle adjustable SHL-6U-A-35		2	
2	YR40000600800	Snap hook plastic red SHL-6U (white) (has mold)		2	
1	YR50181900000	Filter HAM ext. 100* inner 114/89* height 191		1	
序号	代号	名称	材料	数量	备注

					制图	版号	标题	图号	比例	1:3	数量	
					设计	核准	AIF-200	AIF-200-ALL			材质	
					校对		风机入口过滤器			表面要求		
标记	更改前	更改后	更改人	日期	审核	日期	信易電熱機械股份有限公司 Shini Plastics Technologies, Inc.		物料号		/	



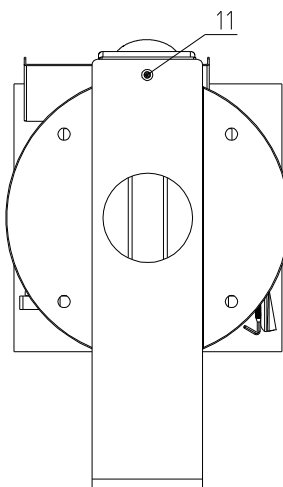
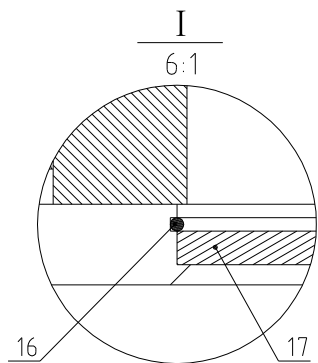
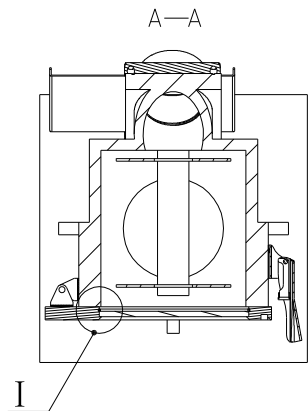
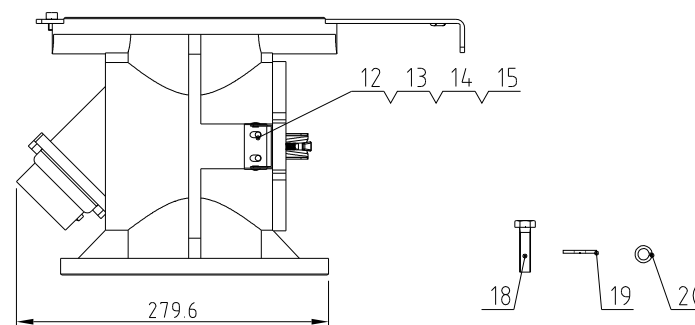
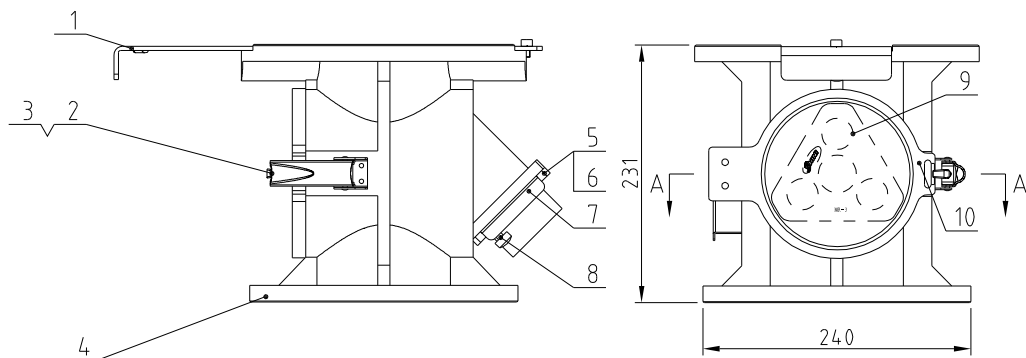
14	YW64040700100	Non-metal inserted hexagon lock nut GB/T899.1 4		6	
13	YW02003000400	Spring buckle adjustable SML-60-A-35(Ver.C)		3	
12	BA10020000210	Air exhaust pipe SMD-200+11(200/100) (Ver.0)(metal) (has mold)	ZL101	1	
11	YR10204000000	Air exhaust pipe fastener SMD-200/400	Rubber	1	
10	YW66061300000	Flat Washer Grade A GB/T97.1 6		4	
9	YW65006000100	Standard spring washer GB/T93 6-Longzine		4	
8	YW60062000100	Hexagon head bolt GB/T5781 M6x20		4	
7	YR50241400100	Filter M3 fastener rubber (SMD-200H+AL-1)(Ver.1)	Assembly	1	
6	ADC-3-A-02	Filter external shell	Weldment	1	
5	ADC-3-A-01	Lower cover	Weldment	1	
4	YE66515800000	PVC transparent hose 2"	PVC	1	L=200mm
3	YW02002500000	Stainless steel pipe clamp 2.5"	SUS201	2	
2	YR40012500000	Plastics connector 1.25"	Assembly	1	
1	YR40000000100	Bottom plug ADC-1-A-05 Ver.0(has mold)	HCF	1	
序号	代号	名称	材料	数量	备注

					制图	版号	标题	ADC-3	图号	ADC-3-ALL	比例	1:10	数量	1
					设计	核准	通风空气滤清器					材质	/	
					校对		SHINI 信易電熱機械股份有限公司 Shini Plastics Technologies, Inc.				表面要求			
标记	更改前	更改后	更改人	日期	审核	日期		物料号	/					



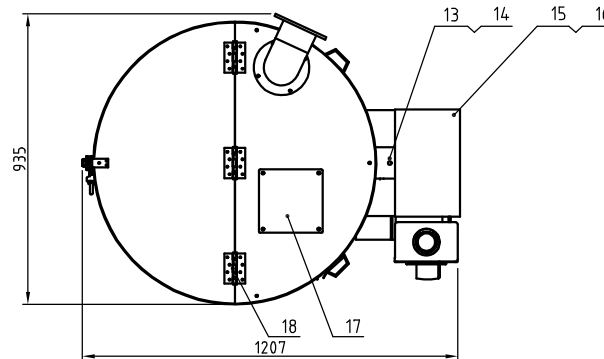
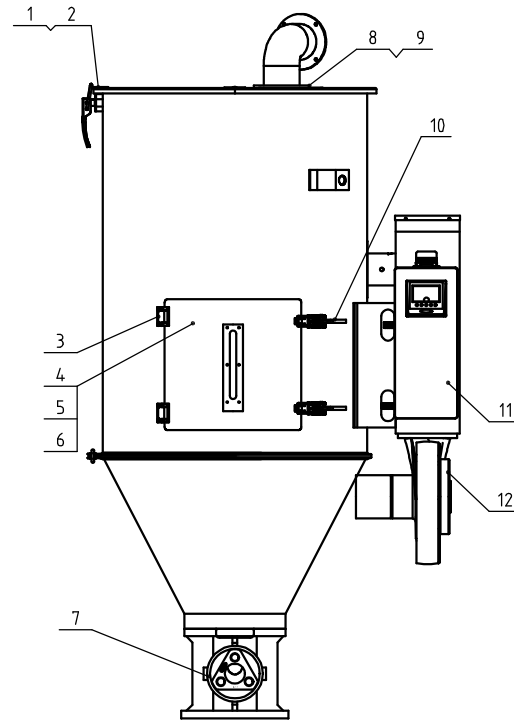
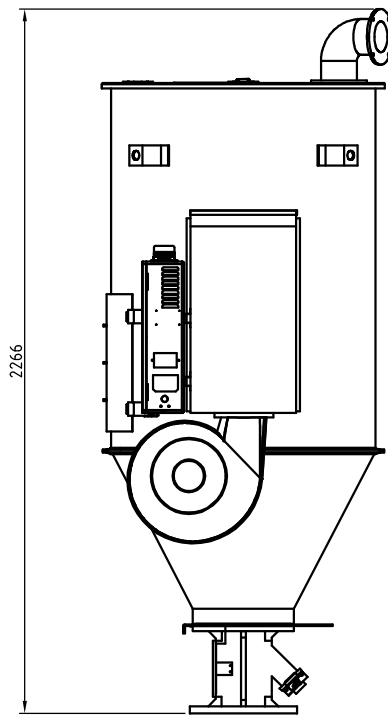
10	YR10204000000	Air exhaust pipe fastener 5/8"-20x1-1/2"(per. Ø) nickel-plated	1		
9	BH11004010310	Quick connector 4" HAR-200-A-03-A(SUS)	1		
8	YW72043600000	Heat-resistant air pipe 4" double layers red Ø3.6"	0.5		
7	YW02004500000	Stainless steel clamp 4.5" (Ø1-114mm)	2		
6	YW01126900000	Air cover spring (TB-3-A-10)	1		
5	BL00000500420	Blower filter tank cover 5" Ø1 (ØMR-5) (has mold)	1		
4	BL00000500320	Blower filter barrel air cover 5" Ø1 (ØMR-5) (has mold)	1		
3	YW02003000400	Spring buckle adjustable SHL-6U-A-35	2		
2	YR40000600800	Snap hook plastic red SHL-6U(white) (has mold)	2		
1	YR50181900000	Filter HAR ext. 180° inner 114/Ø8° height 191	1		
序号	代号	名称	材料	数量	备注

					制图	版号	标题	HAR-200	图号	比例	1:5	数量	1
					设计	核准	热回收器					材质	
					校对		信易电热机械股份有限公司 Shini Plastics Technologies, Inc.			表面要求			
标记	更改前	更改后	更改人	日期	审核	日期					物料号		/



20	YW65010000000	Standard spring washer Q1793 10 Longzine	4		
19	YW66102500000	Flat Washer 10x25x1.5 Longzine	4		
18	YW60104000100	Hexagon head bolt Q173783 M10x40-8.8-Longzine	4		
17	YW70134500000	Sight window MME(φ134xφ10-14)(Ver. 0)(Material: PC)	1		
16	YW01010000000	Magnetic base spring MB-100-A-03(Ver. 0)	1		
15	YW64000500000	Hexagonal nut M5 anti-loosening	2		
14	YW62052000000	Large cross socket flat head screw JS1111 M4x3-Longzine	2		
13	YW67050800000	Cross socket pan head self-tapping lock screw Q5560 M4 Longzine	2		
12	YW09050200000	Magnetic base hinge S20-A-12 Ver. 0(has mould)	1		
11	YW61061001800	Hexagon socket head screw Q570.1 M10x12-70(S/S)	1		
10	BA10010000210	Magnetic base glass frame MB-100-A-02 Ver. 0(Processed)	1		
9	BY10310000050	Hopper magnet MR-3(100/200KG)	1		
8	YW69616100000	Hand screw M5* Length 16 * Screw head 16	1		
7	YW09106000000	Small shut-off plate S20-A-10(has mould)(S20-200-A-10 ver. 1)	1		
6	YW67051500600	Cross socket pan head self-tapping lock screw Q5560 M5 Longzine	4		
5	YA10010000230	Material discharge part (with mold)(S20-200-A-11(ver. 0))	1		
4	BA20010000310	Magnet base body MB-100-A-01 ver. 0(Processed)	1		
3	YW67040600600	Cross socket pan head self-tapping lock screw Q5560 M6	2		
2	YW02003000400	Adjustable spring buckle SAL-01-A-35(Ver. C)	1		
1	YW09102000000	Large shut-off plate MB-200-A-02(ver. 0)(has mould)	1		
序号	代号	名称	材料	数量	备注

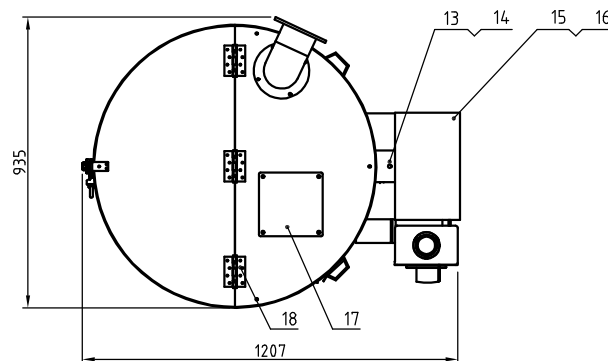
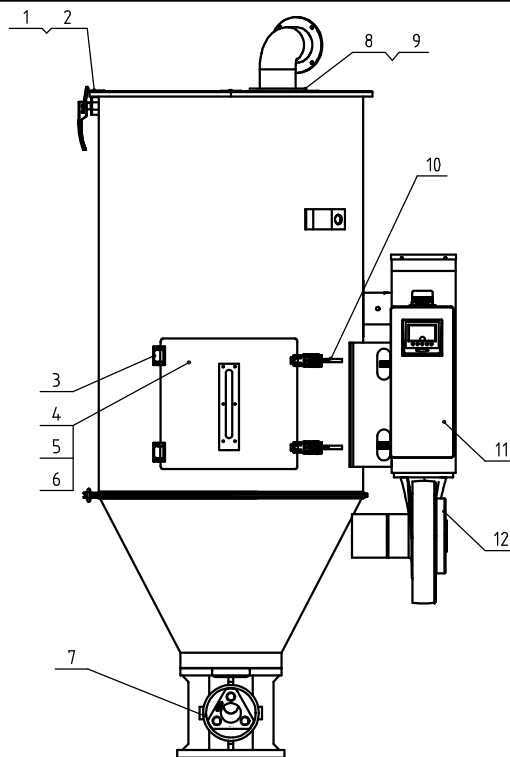
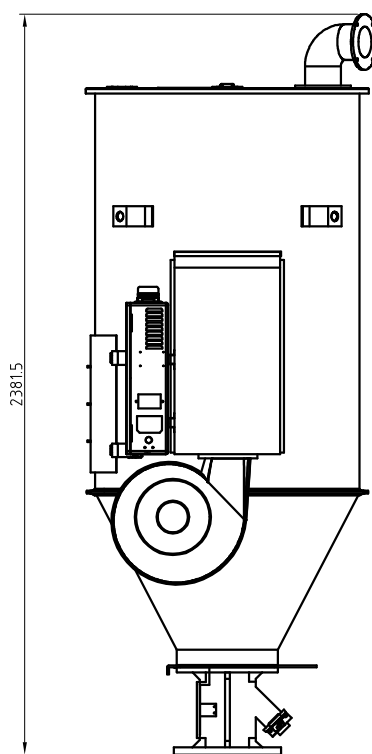
					制图	版号	标题	MB-100	图号	比例	1:6	数量	1
					设计	核准	磁力底座		MB-100-ALL			材质	/
					校对		信易電熱機械股份有限公司 Shini Plastics Technologies, Inc.			表面要求		/	
标记	更改前	更改后	更改人	日期	审核	日期					物料号		/



18	BW0920200000	Square plate SEHD-100-A-09(ver.0)(has mould)	SPCC1.0	1	
17	YW0600040000	Stainless steel hinge 4 inch (SG-2324-03-SJXZ)	Assembly	3	
16	BE85018000250	Temp. protector 180 degree centigrade L: 15W (thermal pro.)	Assembly	1	
15	BH70601800250	Pipe heater SHD-600U-8K W3φ230/400V	Assembly	1	
14	BW72201200610	Heat-resistant insulated pipe SEHD-200-A-12(ver.0)	Assembly	1	
13	YE90054001300	Thermocouple 5x4.0L+PB-15H (SHD-120U-A-12 pipe ver.A)	Assembly	1	
12	BM30055000150	Power 550W230V/400V50/60HZ/φ SEHDITX-55-A-AL	Assembly	1	
11	BL01050000120	Long control box SEHD-500-A-28(ver.B)	Welding parts	1	
10	YW09043100100	Heavy adjustable hook 431 (locked) (zinc plated)	SUS304	2	
9	YR10204000000	Exhaust pipe fastener SEHD-200-A-8(ver.0) rubber(has mould)	Rubber	1	
8	BA10020000210	Exhaust pipe SEHD-200-A-14(200/1800) (painted)	AC4D	1	
7	BY10400000050	Magnetic base assembly MB-400	Assembly	1	
6	BW09000630040	Plated sight glass iron sheet six hole	SPCC	1	
5	YR40000600000	Sight glass fastener six hole (has mould)(SHD-12-A-25)	Rubber	1	
4	YR40001200000	Acryl six hole SHD-12-A-26 mat. PC (has mould)	PC	1	
3	BH10000012510	Large hinge SEHD-200-A-11 (processed)(ver.0)	Alu alloy	2	
2	YW00001200000	Handle hook SEHD-12-A-14	SPCC3.0	1	
1	YW00121000000	Handle SEHD-25-A-08(ver.0)	Assembly	1	

Mark	Before Mod.	After Mod.	Mod. by	Date	Dra.	Ver.
					Desi.	
					Check	App. by
					App.	Date

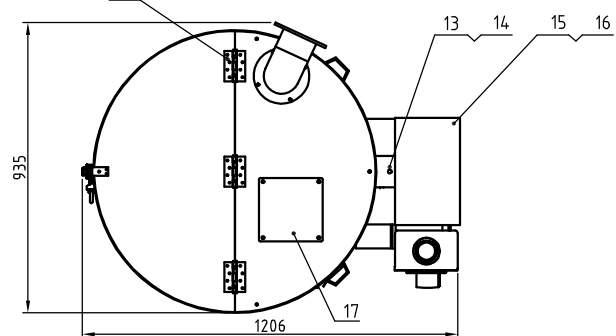
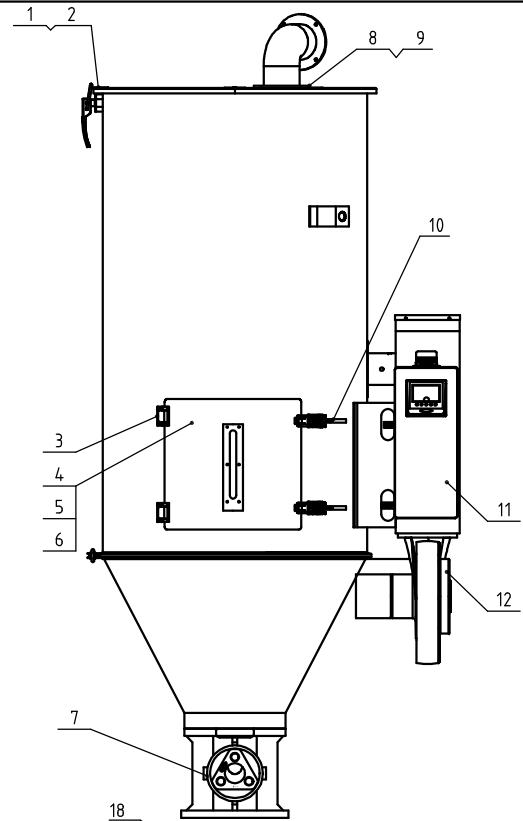
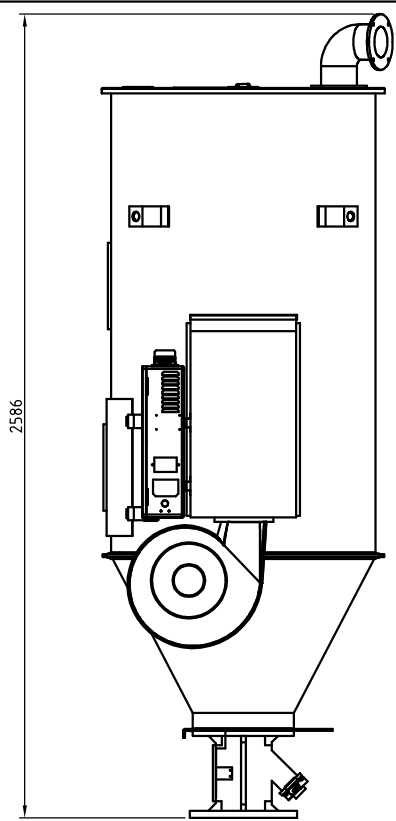
Title	SEHD-400	Drawing no.	SEHD-400-ALL	Scale	1:13	No.	1
Energy-efficient Hopper Dryer					Mat.	Mat.	
信易電熱機械股份有限公司 Shini Plastics Technologies, Inc.							
				Mat. No.			



No.	Material number	Name	Mat.	Num.	Remarks
18	BW0920200000	Square plate SEHD-100-A-09(ver.0)(has mould)	SPCC1.0	1	
17	YW060004.00000	Stainless steel hinge 4 inch (SG-232L-03-SJXZ)	Assembly	3	
16	BE85018000250	Temp. protector 180 degree centigrade L: 136 (thermal pr.)	Assembly	1	
15	BH70019200050	Pipe heater 19.2KW394.00V SEHD-500-B-01(ver.0)	Assembly	1	
14	BW72201200610	Heat-resistant insulating pipe SEHD-200-A-12(ver.0)	Assembly	1	
13	YE90054.001300	Thermocouple 5x4.0L+MS-1.5H (SHD-120U-A-12 pipe ver.A)	Assembly	1	
12	BM30055000150	Blower 559W230V/400V50/60HZ(ver. SEHD)TX-55-A-AL	Assembly	1	
11	BL01050000120	Long control box SEHD-500-A-28(ver.B)	Welding parts	1	
10	YW09043100100	Heavy adjustable hook 431 (locked) (zinc plated)	SUS304	2	
9	YR10204.0000000	Exhaust pipe fastener SHD-200-A-9(ver.0) rubber(has mould)	Rubber	1	
8	BA10020000210	Exhaust pipe SEHD-200-A-14(200/1000) (painted)	AC4D	1	
7	BY104.000000050	Magnetic base assembly MB-400	Assembly	1	
6	BW09000630040	Plated sight glass iron sheet six hole	SPCC	1	
5	YR4.00006000000	Sight glass fastener six hole (has mould)(SHD-12-A-25)	Rubber	1	
4	YR4.00012000000	Acryl six hole SHD-12-A-26 mat. PC (has mould)	PC	1	
3	BH10000012510	Large hinge SEHD-200-A-11 (processed)(ver.0)	Alu. alloy	2	
2	YW00001200000	Handle hook SEHD-12-A-14	SPCC3.0	1	
1	YW00121000000	Handle SEHD-25-A-08(ver.0)	Assembly	1	

Mark	Before Mod.	After Mod.	Mod. by	Date	App.	Date

Title SEHD-500 Energy-efficient Hopper Dryer		Drawing no. SEHD-500-ALL		Scale	No.
		信易電熱機械股份有限公司 Shini Plastics Technologies, Inc.		Surface req.	
				Mat. No.	

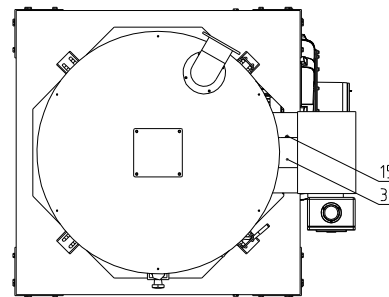
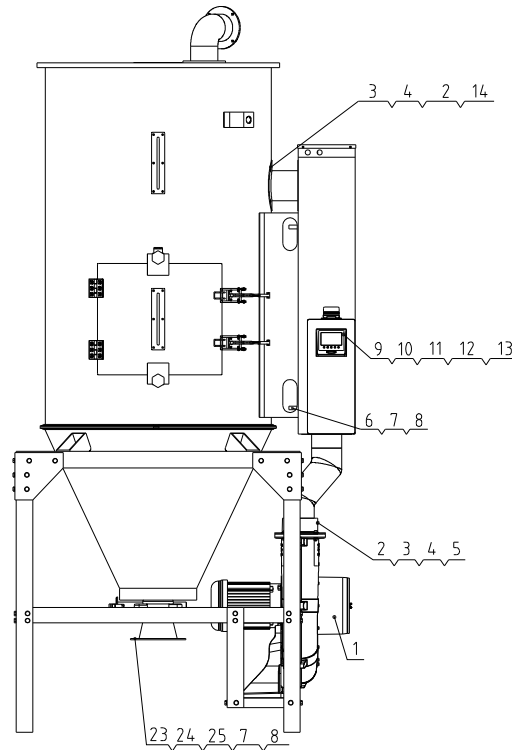
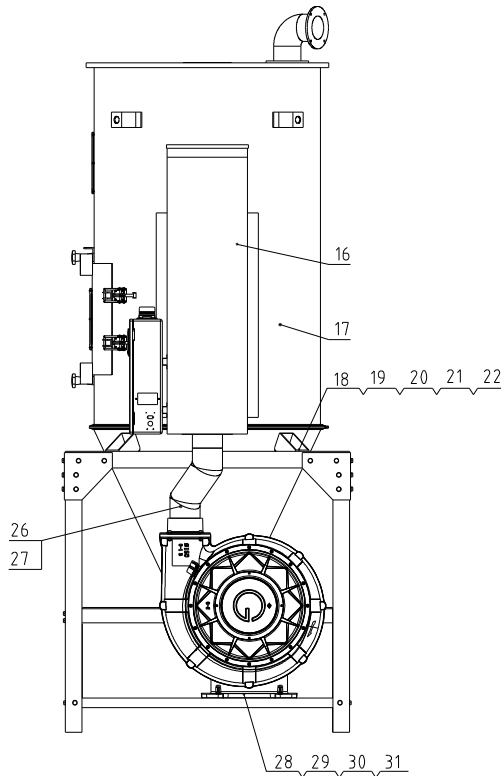


No.	Material number	Name	Mat.	Num.	Remarks
18	BW0920200000	Square plate SEHD-100-A-09(ver.0)(has mould)	SPCC1.0	1	
17	YW0600040000	Stainless steel hinge 4 inch (SG-2324-03-SJXZ)	Assembly	3	
16	BE85018000250	Temp. protector 180 degree centigrade L: 136 (thermal pro.)	Assembly	1	
15	BH70214.000150	Pipe heater SEHD-600-B-01(ver.0)	Assembly	1	
14	BW72201200610	Heat-resistant insulated pipe SEHD-200-A-12(ver.0)	Assembly	1	
13	YE90054.001300	Thermocouple 5x4.0LxM8x1.5M (SHD-120U-A-12 pipe ver.A)	Assembly	1	
12	BM30055000150	Power 550W230V/400V50/60HZfr-SEHDITX-5S-A-AL	Assembly	1	
11	BL01050000120	Long control box SEHD-500-A-28(ver.B)	Welding parts	1	
10	YW09043100100	Heavy adjustable hook 431 (locked) (zinc plated)	SUS304	2	
9	YR10204.000000	Exhaust pipe fastener SHD-200-A-9 (ver.0) rubber has mould	Rubber	1	
8	BA10020000210	Exhaust pipe SEHD-200-A-14(200/1000) (painted)	AC4D	1	
7	BY104.00000050	Magnetic base assembly MB-400	Assembly	1	
6	BW09000630040	Plated sight glass iron sheet six hole	SPCC	1	
5	YR4.0000600000	Sight glass fastener six hole (has mould)SHD-B-A-25	Rubber	1	
4	YR4.0001200000	Acryl six hole SHD-12-A-26 mat. PC (has mould)	PC	1	
3	BH10000012510	Large hinge SEHD-200-A-11 (processed)(ver.0)	Alu. alloy	2	
2	YW00001200000	Handle hook SEHD-12-A-14	SPCC3.0	1	
1	YW00121000000	Handle SEHD-25-A-08(ver.0)	Assembly	1	

Mark	Before Mod.	After Mod.	Mod. by	Date	App.	Date

Title SEHD-600 Energy-efficient Hopper Dryer		Drawing no. SEHD-600-ALL		Scale 1:15	No. 1
信易電熱機械股份有限公司 Shini Plastics Technologies, Inc.				Surface req.	Mat.
				Mat. No.	

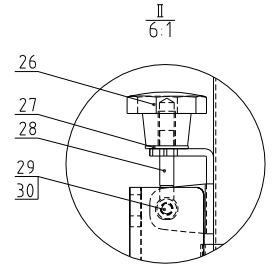
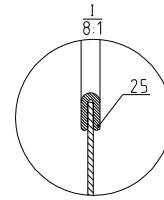
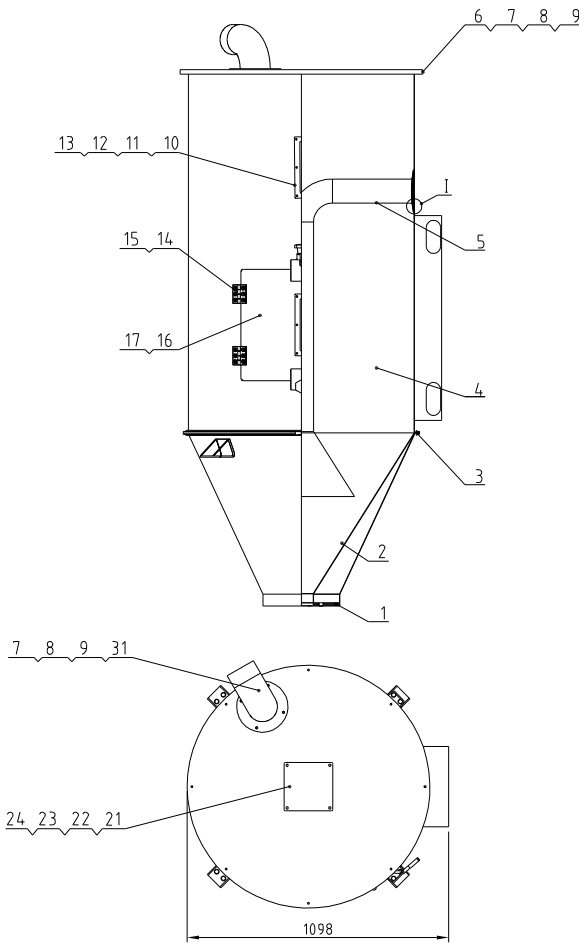
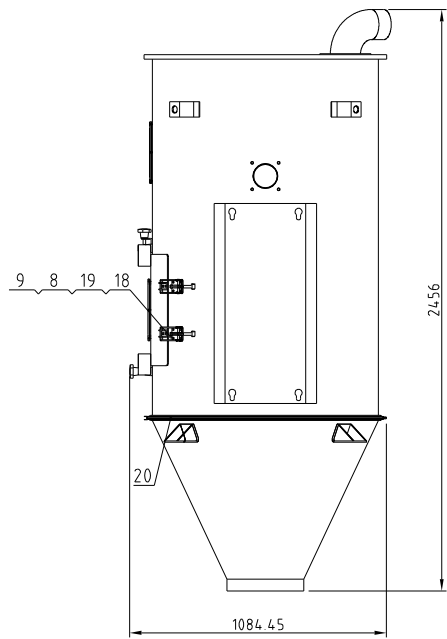
Drying blower power	Drying heater power	Hopper capacity	Ver.
3.7kW	21kW	800kg	Ver.D



32	YW72800000100	Heat resistant insulation pipe SEHD-800-ALL-03 (Ver A) inner diameter 135 length 110mm		1	
31	YW64012100000	Hexagon nut GB/T6170 M12-longzine		4	
30	YW65012000000	Standard spring washer GB/T93 12-longzine		4	
29	YW66122400000	Flat washer A grade GB/T97.1 12(13.5x24x2.5)-longzine		8	
28	YW60124500000	Hexagon screw bolt GB/T5783 M12x45-8.8-longzine		4	
27	YW02501200000	Steel wire hose 5.5"11B-14MM(pipe clamp head/pipe clamp made of SUS201)	SUS201	2	
26	YW72053600000	Heat-resistant air pipe 5" double layers and 2.6m	Assembly	0.5M	
25	YW60161000000	Hexagon screw bolt GB/T5783M16x100-12.9-longzine		4	
24	SHD-900U-A-72	Adapter flange	SUS201	1	Borrowed
23	YW59418000000	Manual butterfly valve 4"	Assembly	1	
22	YW64001000100	Hexagon nut GB/T6170 M10-longzine		8	
21	YW66102000100	Flat washer A grade GB/T97.1 10(11x20x2)		16	
20	YW65010000000	Standard spring washer GB/T93 10-longzine		8	
19	YW60103000200	Hexagon screw bolt GB/T5783 M10x30-12.9-longzine		8	
18	SEHD-800-C-ALL	Floor stand	Assembly	1	
17	SEHD-800-A-ALL	Drying hopper	Assembly	1	
16	SEHD-800-B-ALL	Heating case	Assembly	1	
15	YE90059301300	Thermocouple 5x93L-M8-2M (SEHD-800U-A-55 Tubular Ver A)	Assembly	1	
14	YW60082010000	Hexagon nut M8(Anfri-looseening)(SUS201)		4	
13	BL0104.0003220	Control box long box SEHD-400-C-01(Ver A)	Weldment	1	
12	YE67321500100	Copper nickel plated cable connector L122-M32x15	Assembly	1	
11	BL02010000020	Wire fixture fixed plate M32 5G-S-01	SPCC2.0	1	
10	BL0104.0003220	Cross socket pan head self-lapping lock screw GB6560 M5-10longzine		4	
9	YW67061000000	Cross socket pan head self-lapping lock screw GB6560 M5-10longzine		4	
8	YW65016200000	Standard spring washer GB/T93 16-longzine		12	
7	YW66163000000	Flat washer A grade GB/T97.1 16-longzine		12	
6	YW64001600000	Hexagon nut GB/T6170 M16-longzine		4	
5	SEHD-800-ALL-03	Blower air outlet pipe	SUS201	1	
4	YW66081600000	Flat washer A grade GB/T97.1 16(18.4x16)longzine		8	
3	YW65008000100	Standard spring washer GB/T93 8-longzine		8	
2	YW60082500100	Hexagon screw bolt GB/T5783 M8x25-12.9-longzine		8	
1	YM30150000100	Blower CX-150A(B-02) 3.7kW/3.0:380V/50HZ Duguan	Assembly	1	

序号	代号	名称	材料	数量	备注
标题		SEHD-800	图号 SEHD-800-ALL		
设计		高效节能料斗干燥机	比例 1:20	数量	
校对				材质	/
审核			表面要求		/
标记	更改前	更改后	物料号		/

SHINI 信易电热机械股份有限公司
Shini Plastics Technologies, Inc.

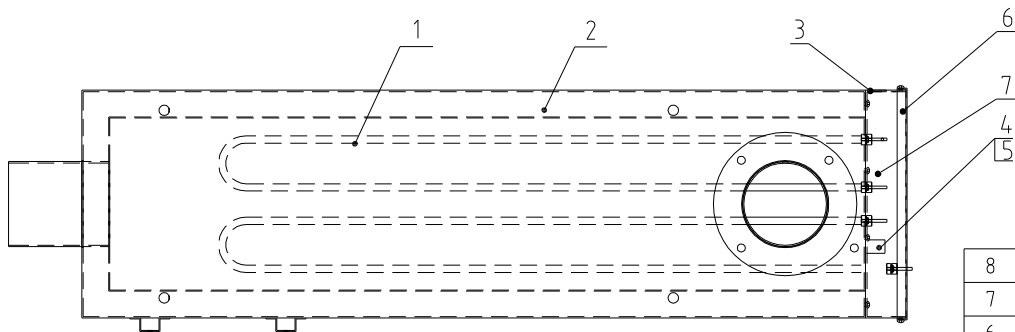
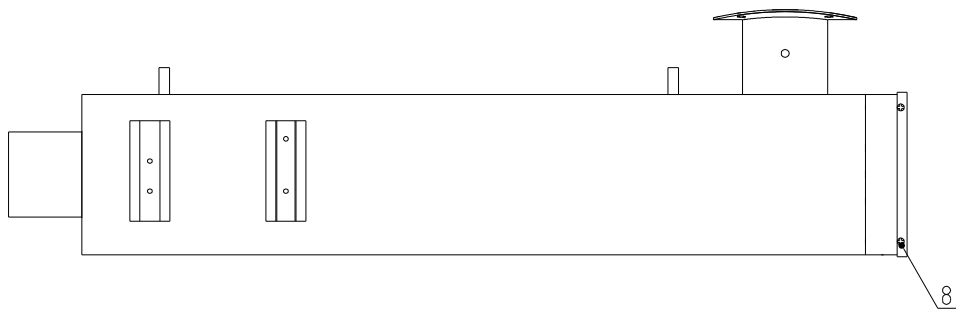


31	SEHD-800-A-09	Air exhaust pipe	Weldment	1	
30	YW66000600000	E-rings GB/T896 6		2	
29	YW09085400000	Star Pin 8*54(SHD-100-A-65)		2	
28	YW09100000000	SHD for Large Star screw (with mold) SHD-100-A-66		2	
27	YW60961000100	Flat washer A grade GB/T96 10(10.5X30X2.5)-A2-70(SUS)		2	
26	YW09115600000	Big box nut M10*15 SHD-100-600KG-02-S1 (Material: Aluminum alloy)		2	
25	YR10129800100	Tank fastener(roll over)SHD-12-A-98 (has mould)	red silica gel	1	0.35m
24	YW660081600000	Flat washer A grade GB/T97 118 4*16x1.6	longzinc	4	
23	YW65008000100	Standard spring washer GB/T93 B		4	
22	YW60082500100	Hexagon screw bolt GB/T5783 M8x25		4	
21	BW09202000000	Square plate	SPCC1.0	1	
20	SEHD-800-A-07	Barrel hoop	Assembly	1	
19	YW09403400000	Heavy duty adjustable door buckle c0341	Assembly	2	
18	YW61061200000	Inner hexagon cylinder screw GB/T101 M6x12-12.9		8	
17	YL01040001900	Cleaning door fastener SEHD-C00-A-09 (Ver.A) white silica gel 6.0 Shaper	white silica gel	1	
16	SEHD-800-A-05	Cleaning door	Assembly	1	
15	YW61081600100	Inner hexagon countersunk head screw GB/T103 M8x16-12.9-longzinc		12	
14	YW06010400000	Hinge x 104		2	
13	YW64000500000	Non-metal inserted hexagon lock nut GB/T889 1 M5		12	
12	YR40000600000	Sight-glass fastener six hole SHD-12-A-25	Rubber	2	
11	YR40001200000	Acryl six hole SHD-12-A-26	PC	2	
10	BW09000630040	Six holes sight glass(chrome plated) SEHD-12-A-16(Drawing ver.0)		2	
9	YW660061300000	Flat washer A grade GB/T97 1.6-longzinc		20	
8	YW65006000100	Standard spring washer GB/T93 B-longzinc		20	
7	YW60062000100	Hexagon screw bolt GB/T5781 M6x20-4.8-longzinc		12	
6	SEHD-800-A-06	Hopper cover	SPCC3.0	1	
5	SEHD-800-A-04	Down-blow pipe	SUS201	1	
4	SEHD-800-A-03	Material storage tank	Assembly	1	
3	YR10129800100	Tank fastener SEHD-25-ALL-02(Ver.0)	silica gel	1	Approximately 3.1M
2	SEHD-800-A-02	Inner hopper	Weldment	1	
1	SEHD-800-A-01	External hopper	Weldment	1	

序号	代号	名称	材料	数量	备注
----	----	----	----	----	----

					制图	版号
					设计	核准
					校对	
标记	更改前	更改后	更改人	日期	审核	日期

标题	SEHD-800 干燥桶	图号	SEHD-800-A-ALL	比例	1:20	数量	1
信易电热机械股份有限公司 Shini Plastics Technologies, Inc.				表面要求	/	材质	/
				物料号	/		

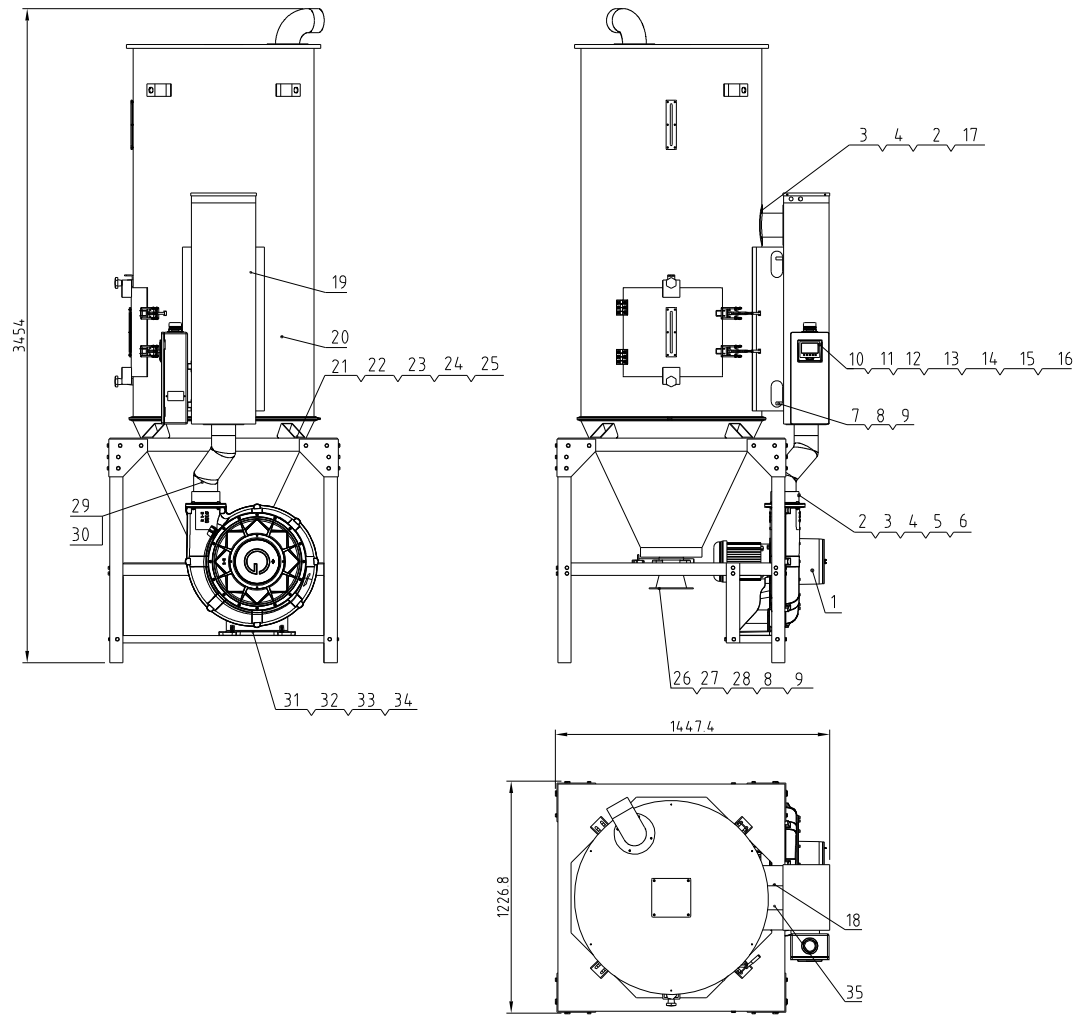


8	YW67051000700	Cross socket pan head self-tapping lock screw GB6560 M5×10 longzine		4	
7	YW67061000000	Cross socket pan head self-tapping lock screw GB6560 M6×10 longzine		10	
6	SEHD-800-B-01	Heating case cover	SPCC1.5	1	
5	YW67030800000	Cross socket pan head self-tapping lock screw GB6560 M3×8 longzine		2	
4	YE21180000100	Temp protector 180℃(heat-resistant cable 0.75 Line length 13M)SEHD-400-A-18 normally open	Assembly	1	
3	SEHD-800-B-03	Heating case	Assembly	1	
2	SEHD-800-B-04	Heating case fastener	white silical gel	1	
1	BH70800000950	Heater pipe SEHD-800-B-05-A 21KW/3φ 400V(IM16)	Assembly	1	
序号	代号	名称	材质	数量	备注

					制图	版号	标题	SEHD-800	图号	SEHD-800-B-ALL	比例	1:10	数量	1
					设计	核准	加热箱					材质	/	
					校对						表面要求		/	
标记	更改前	更改后	更改人	日期	审核	日期					物料号		/	



信易電熱機械股份有限公司
Shini Plastics Technologies, Inc.



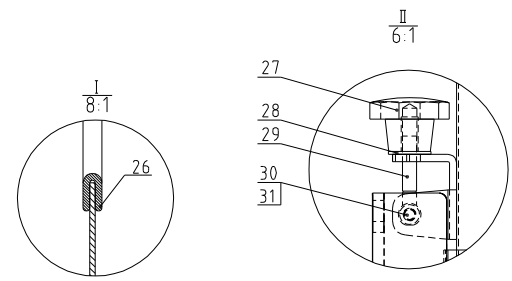
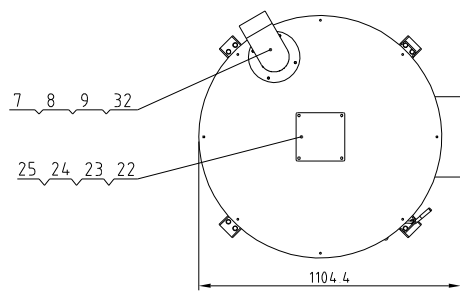
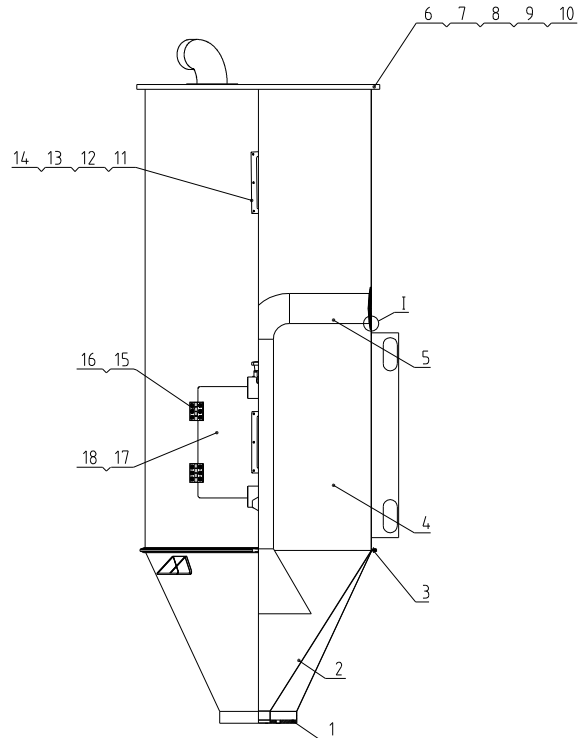
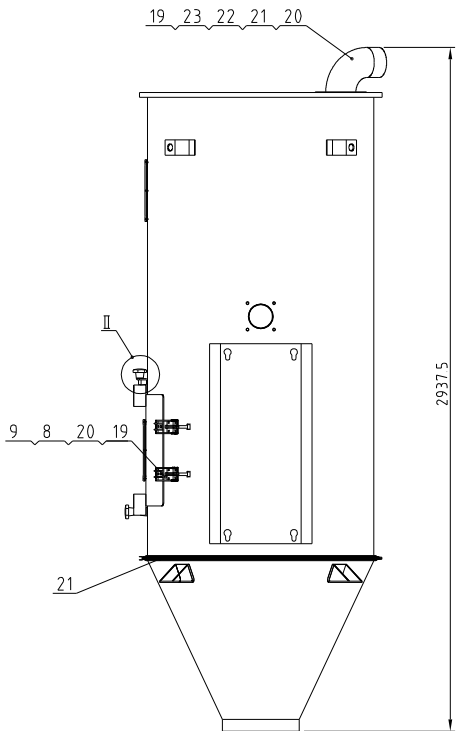
Drying blower power	Drying heater power	Hopper capacity	Ver
3.7kW	24kW	1000kg	Ver.D

35	YW72800000100	Heat resistant insulation pipe SEHD-800-ALL-02(Ver.A)		1	
34	YW64012100000	Hexagon nut GB/T6170 M12-longzine		4	
33	YW65012000000	Standard spring washer GB/T93 12-longzine		4	
32	YW66122400000	Flat washer A grade GB/T97.1 12I13.5x24.25I-longzine		8	
31	YW60124500000	Hexagon screw bolt GB/T5783 M12x45-8.8-longzine		4	
30	YW02501200000	Steel wire hose 5.5" (143MM) pipe clamp head/pipe clamp made of SUS201	SUS201	2	
29	YW72053600000	Heat-resistant air pipe 5" double layers red x3.6m	Assembly	0.5M	
28	YW60161000000	Hexagon screw bolt GB/T5783M16x100-12.9-longzine		4	
27	SHD-900U-A-72	Adapter flange	SUS201	1	
26	YW59418000000	Manual butterfly valve 4"	Assembly	1	
25	YW64001000100	Hexagon nut GB/T6170 M10-longzine		8	
24	YW66102500000	Flat washer 10x25x15 longzine		16	
23	YW65010000000	Standard spring washer GB/T93 10-longzine		8	
22	YW60103000200	Hexagon screw bolt GB/T5783 M10x30-12.9-longzine		8	
21	SEHD-800-C-ALL	Floor stand	Assembly	1	
20	SEHD-1000-A-ALL	Drying hopper	Assembly	1	
19	SEHD-1000-B-ALL	Heating case	Assembly	1	
18	YE90059301300	Thermocouple S-93L-M8-2M (SHD-600U-A-55 Tubular Ver A)	Assembly	1	
17	YW60082010000	Hexagon nut M8(Anti-loosening)SUS201		4	
16	YW67040600600	Cross socket pan head self-tapping lock screw GB6560 M4xlongzine		4	
15	BL01005010020	Breaker fixed plate SEHD-400-C-02	SPCC1.0	1	
14	BL01040003220	Control box long box SEHD-400-C-01(Ver B)	Weldment	1	
13	YE67321500100	Copper nickel plated cable connector LT2-M32x15	Assembly	1	
12	BL02010000020	Wire fixture fixed plate M32 SG-S-01	SPCC2.0	1	
11	YW67051000700	Cross socket pan head self-tapping lock screw GB6560 M5x10longzine		4	
10	YW67061000000	Cross socket pan head self-tapping lock screw GB6560 M6x10longzine		4	
9	YW65016200000	Standard spring washer GB/T93 16-longzine		12	
8	YW66163000000	Flat washer A grade GB/T97.1 16-longzine		12	
7	YW64001600000	Hexagon nut GB/T6170 M16-longzine		4	
6	SEHD-800-ALL-03	Blower air outlet pipe	SUS201	1	
5	YW64081400000	Hexagon nut GB/T52 M8-longzine		4	
4	YW66081600000	Flat washer A grade GB/T97.1 (8.4-16x16)longzine		8	
3	YW65008000100	Standard spring washer GB/T93 8-longzine		8	
2	YW60082500100	Hexagon screw bolt GB/T5783 M8x25-12.9-longzine		8	
1	YM30150000100	Blower CX-150A(B-02) 3.7kW/30V/380V/50HZ_Ouquan	Assembly	1	

序号	代号	名称	材料	数量	备注
----	----	----	----	----	----

				制图	版号	标题	SEHD-1000	图号	SEHD-1000-ALL	比例	1:25	数量	1
				设计	核准		高效节能料斗干燥机						
				校对									
				审核									
标记	更改前	更改后	更改人	日期	审核	日期				表面要求			
										物料号			



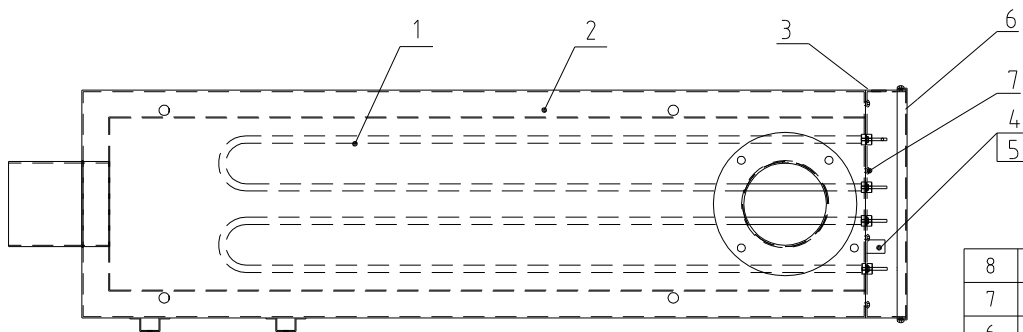
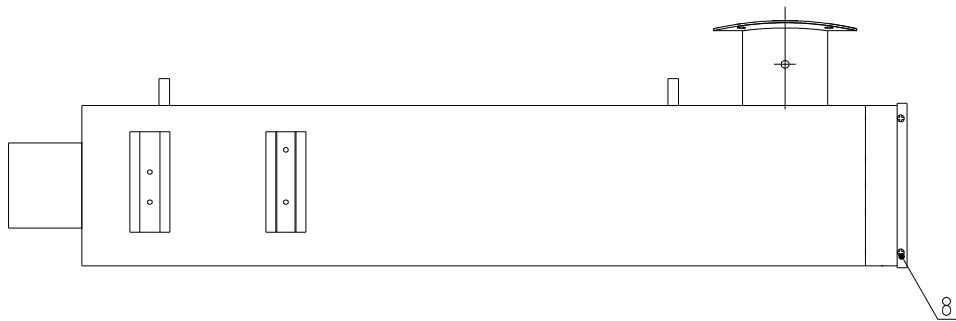


32	SEHD-800-A-09	Air exhaust pipe	Weldment	1	
31	YW66000600000	E-rings GB/T896 6		2	
30	YW09085400000	Star Pin 8x54(SHD-100-A-65)		2	
29	YW09100000000	SHD for large Star screw (with mold SHD-100-A-64		2	
28	YW60961000100	Flat washer A grade GB/T96 1010.3x30x2.51-A2-70(SUS)		2	
27	YW09115600000	Big box nut M10-T5 SHD-100-600KG-02-SJ (Material: Aluminum alloy)		2	
26	YR10129800100	Tank fastener SEHD-25-ALL-02(Ver.0)	Red silical gel	1	0.35m
25	YW66081600000	Flat washer A grade GB/T97.118.4x16x1.6longzine		4	
24	YW65008000100	Standard spring washer GB/T93 8		4	
23	YW60082500100	Hexagon screw bolt GB/T5783 M6x25		4	
22	BW09202000000	Square plate	SPCC10	1	
21	SEHD-800-A-07	Barrel hoop	Assembly	1	
20	YW09403400000	Heavy duty adjustable door buckle L036.1	Assembly	2	
19	YW61061200000	Inner hexagon cylinder screw GB/T70.1 M6x12-12.9		8	
18	YL0104.0001900	Cleaning door fastener SEHD-L60-A-09 (Ver. Alwhite silical gel L0 Shaofr	white silical gel	1	
17	SEHD-800-A-05	Cleaning door	Assembly	1	
16	YW61081600100	Inner hexagon countersunk head screw GB/T70.3 M6x16-12.9-longzine		12	
15	YW06010400000	Hinge x104		2	
14	YW64000500000	Non-mental inserted hexagon lock nut GB/T889.1 M5		12	
13	YR40000600000	Sight-glass fastener six hole SHD-12-A-25	Rubber	2	
12	YR40001200000	Acryl six hole SHD-12-A-26	PC	2	
11	BW09000630040	Six holes sight glass(chrome plated) SEHD-12-A-26(drawing ver.0)		2	
10	YR10010040000	Cover fastener SHD-100white silical gel (has mould)		2	
9	YW66061300000	Flat washer A grade GB/T97.16-longzine		20	
8	YW65006000100	Standard spring washer GB/T93 6-longzine		20	
7	YW60062000100	Hexagon screw bolt GB/T5781 M6x20-4.8-longzine		12	
6	SEHD-800-A-06	Hopper cover	SPCC3 0	1	
5	SEHD-800-A-04	Down-blow pipe	SUS201	1	
4	SEHD-1000-A-01	Material storage tank	Assembly	1	
3	YR10129800100	Tank fastener SEHD-25-ALL-02(Ver.0)	Silica gel	1	Approximately 3M
2	SEHD-800-A-02	Inner hopper	Weldment	1	
1	SEHD-800-A-01	External hopper	Weldment	1	

序号	代号	名称	材料	数量	备注
	SEHD-1000	干燥桶		1	
	SEHD-1000-A-ALL				
			比例 1:20	数量	1
			材质		/
			表面要求		/
			物料号		/

制图	版号	标题	图号	比例	数量
设计	核准	SEHD-1000	SEHD-1000-A-ALL	1:20	1
校对	核准	干燥桶			
标记	日期				
更改前	更改后				
更改人	更改人				
日期	日期				
审核	日期				

SHINI 信易电热机械股份有限公司
Shini Plastics Technologies, Inc.



8	YW67051000700	Cross socket pan head self-tapping lock screw GB6560 M5×10longzine		4	
7	YW67061000000	Cross socket pan head self-tapping lock screw GB6560 M6×10longzine		10	
6	SEHD-800-B-01	Heating case cover	SPCC1.5	1	
5	YW67030800000	Cross socket pan head self-tapping lock screw M3×8longzine	GB6560	2	
4	YE21180000100	Temp. protector 180℃(heat-resistant cable) 75 Line length 13M(SEHD-400-A-18 normally open)	Assembly	1	
3	SEHD-800-B-03	Heating case	Assembly	1	
2	SEHD-800-B-04	Heating case fastener	White silical gel	1	
1	BH70100030550	Heater pipe SEHD-1000-B-01-A 24KW/3Φ 400V(M16)	Assembly	1	
序号	代号	名称	材质	数量	备注

					制图	版本号	标题	图号	比例	1:10	数量	
					设计	核准	加热箱	SEHD-1000-B-ALL		材质		
					校对		信易電熱機械股份有限公司 Shini Plastics Technologies, Inc.	表面要求				
标记	更改前	更改后	更改人	日期	审核	日期				物料号		