

Positive Pressure Conveying

SRPC-2

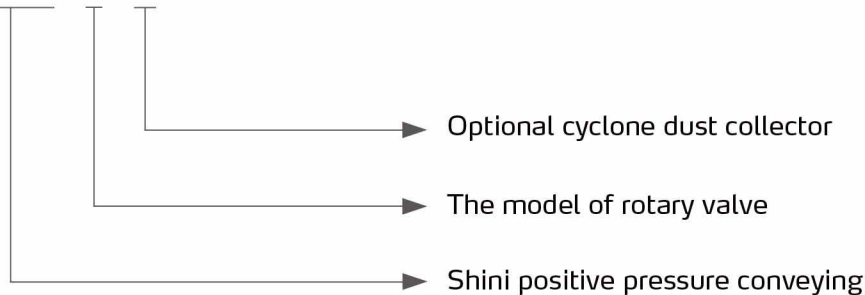


Refer carefully to this manual before operation.

SRPC Series

■ Coding Principle

SRPC - x - A



■ Features

- Adopt positive pressure wind power conveying without contamination
- Casters with the base for easy move and placement
- Equipped with the storage box that makes manual feeding and packaging available
- The storage box uses SUS304 mirror panel, and the bright surface ensures no contamination



Rotary valve

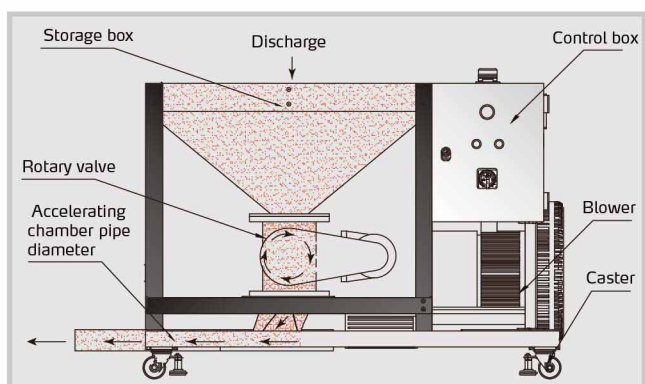
■ Application

SRPC series is mainly used for granules positive pressure conveying. It is used for conveying materials with relatively high requirements, which features large throughput, long conveying distance and no material contamination.

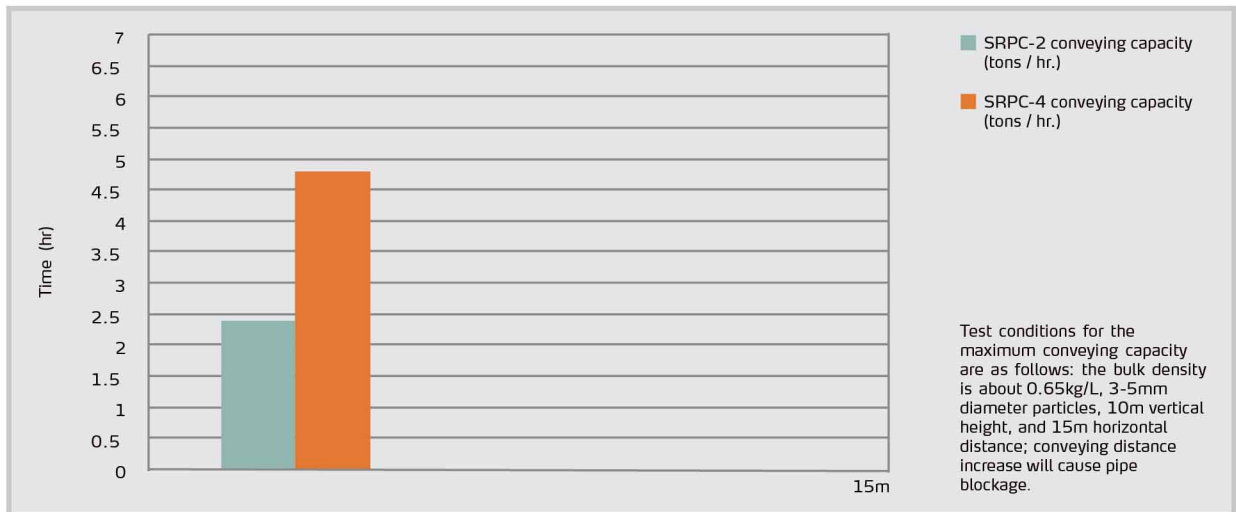
As positive pressure conveying works with the rotary valve, it only can convey the granules for other materials may easy cause rotary valve blockage.

■ Working Principle

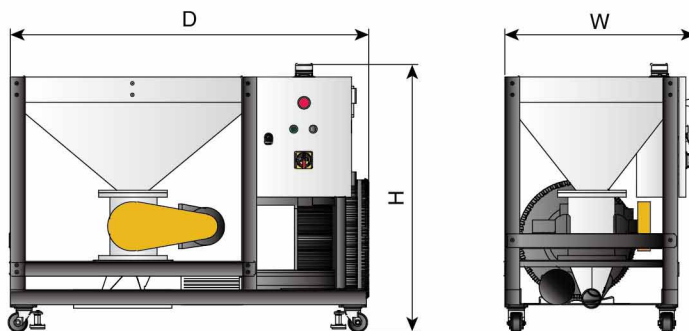
When the SRPC positive-pressure conveying starts, the blower will open directly, and the rotary valve will have a certain delay. After the delay, the valve will rotate, and the materials will discharge into the rotary valve from the storage box. Then, the materials will flow to lower accelerating chamber, and be blown away by the positive pressure air via the pipe. When the machine stops, the rotary valve will stop first without discharging. The blower will set delay closing to clear the materials accumulated in the pipe, and then stop.



■ Conveying Capacity



■ Outline Drawing



■ Specifications

Model	SRPC-2	SRPC-4
Blower Power (KW)	3.75	7.5
Rotary valve power (KW)	0.75	0.75
Rotary valve discharge amount (Kg/hr)	2000	4500
Accelerating chamber pipe dia. (mm)	50.8	76.2
Dimensions (mm)	H	993
	D	1254.5
	W	676
Weight(kg)	250	320

Notes: Power:3 Φ , 400V, 50Hz

We reserve the right to change specifications without prior notice.

Shini Group

Addr: No. 23, Minhe St., Shulin Dist.,
New Taipei, Taiwan

Tel: +886 2 2680 9119

Fax: +886 2 2680 9229

Email: shini@shini.com

Factories:

- Taiwan
- Dongguan
- Pinghu
- Ningbo
- Chongqing
- Pune

2019-12-15-04 Copyrights Reserved.

www.shini.com