


机型版本 Ver.C

D					Drawer		Version	B	Title	SEHD-12	Drawing NO.	Scale	Page 1
					Designer		Approved by		Main Circuit Diagram	SEHD-12-CE-230V-B-1	Standard	CE	Totally 4 Pages
					Proofread by			Date	20210115	 <b>信易電熱機械股份有限公司</b> <b>Shini Plastics Technologies, Inc.</b>		Voltage	3φ230V
	Mark	Before modification	After modification	Modified by	Modify date	Checked by			Frequency			50Hz	

1

2

3

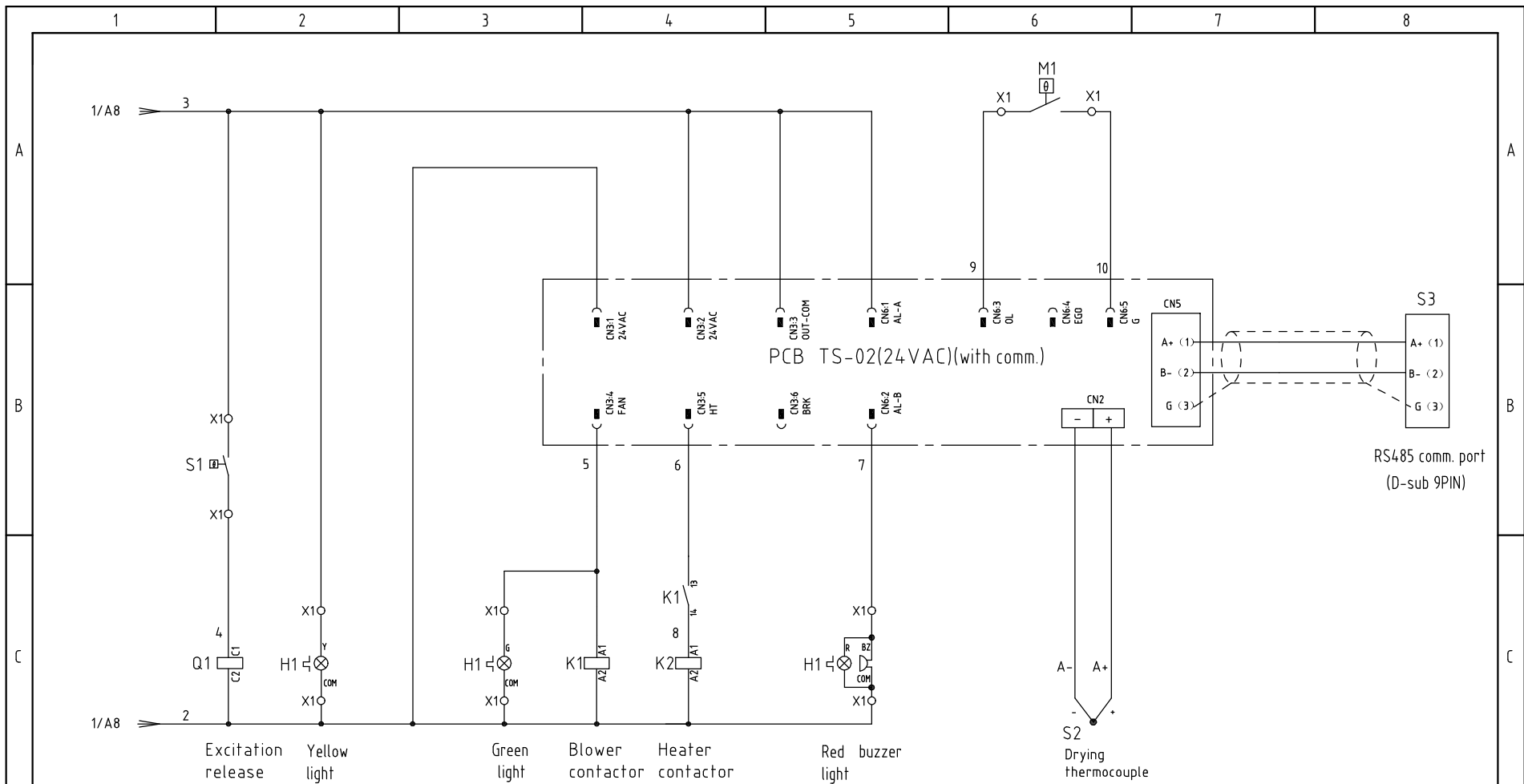
4

5

6


7

8



机型版本 Ver.C

Note: M1 is the overheat protector of the drying blower.

D	Drawer	Version	B	Title	SEHD-12	Drawing NO.	SEHD-12-CE-230V-B-2	Scale	Page 2
	Designer	Approved by		Electrical Diagram		Standard	CE	Totally 4 Pages	
D	Proofread by	Checked by	Date	20210115	 <b>信易電熱機械股份有限公司</b> <b>Shini Plastics Technologies, Inc.</b>	Voltage	3φ230V		
	Mark	Before modification	After modification	Modify date		Frequency	50Hz		

1

2

3

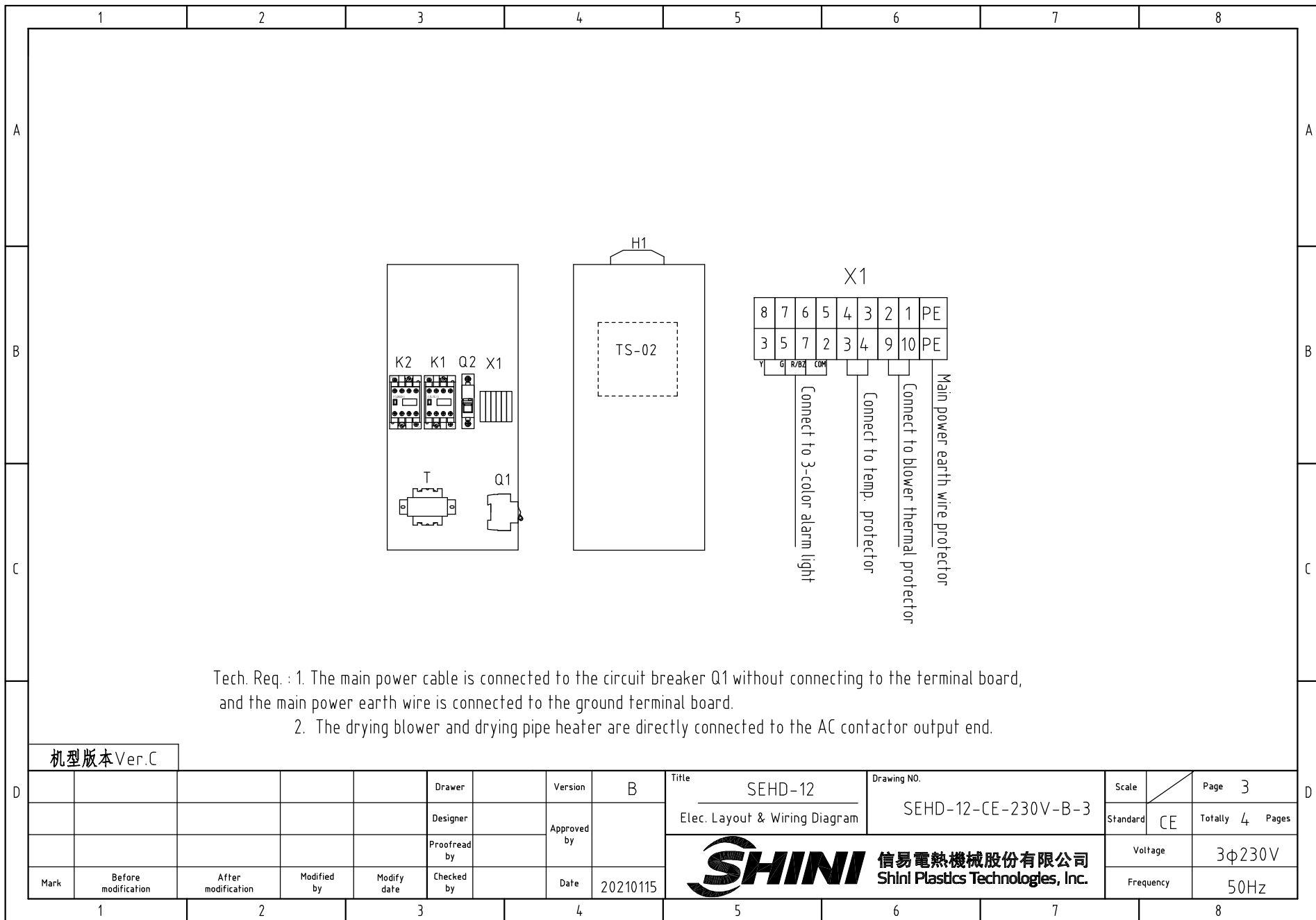
4

5

6


7

8

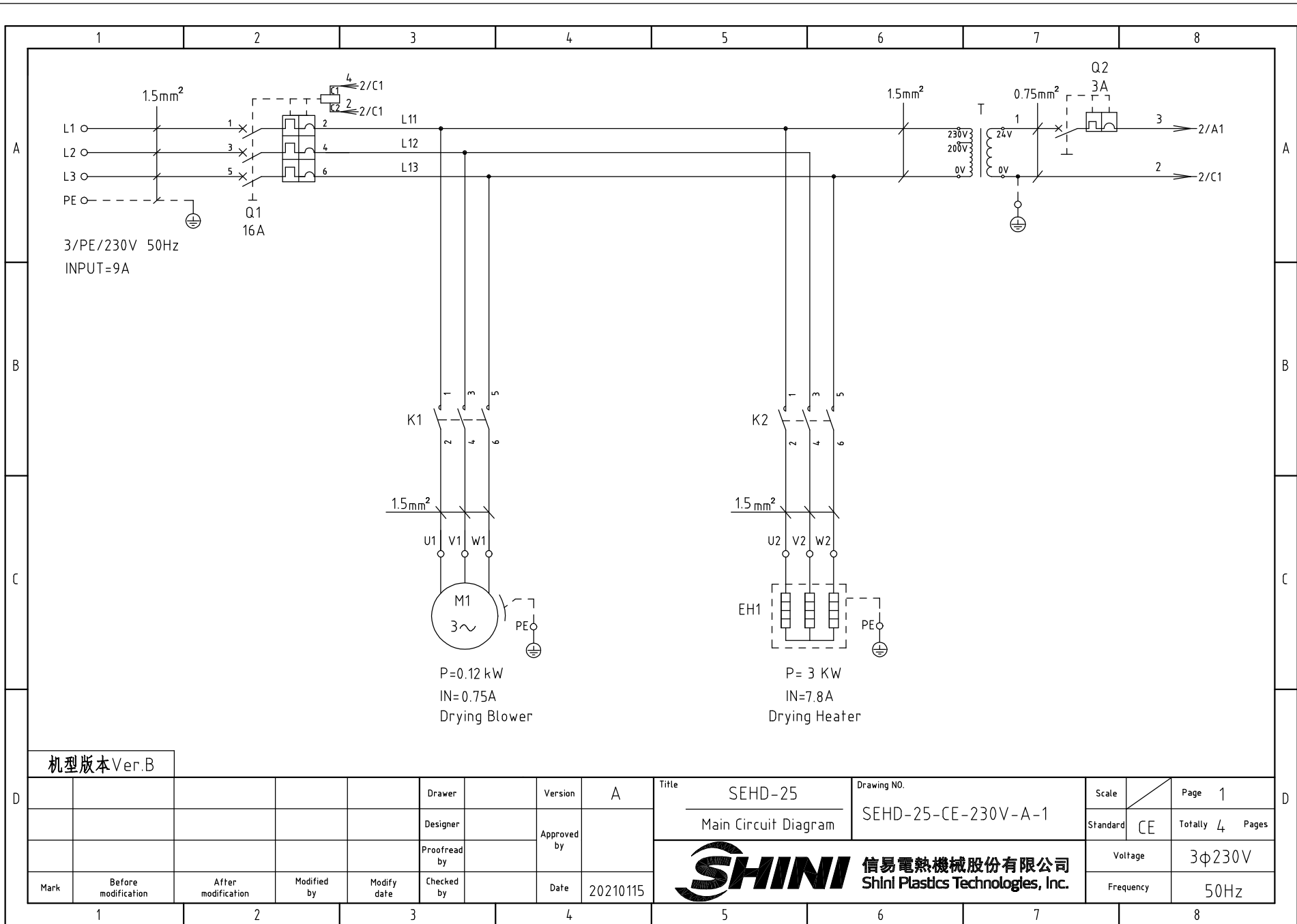


Tech. Req. : 1. The main power cable is connected to the circuit breaker Q1 without connecting to the terminal board, and the main power earth wire is connected to the ground terminal board.  
 2. The drying blower and drying pipe heater are directly connected to the AC contactor output end.


机型版本 Ver.C

D	Mark				Drawer	Version	B	Title	SEHD-12	Drawing NO.	SEHD-12-CE-230V-B-3	Scale	Page	3
	Before modification				Designer	Approved by		Elec. Layout & Wiring Diagram		Standard	CE	Totally	4	Pages
	After modification				Proofread by	Date	20210115	 <b>信易電熱機械股份有限公司</b> <b>Shini Plastics Technologies, Inc.</b>		Voltage	3φ230V			
	Modified by				Checked by		Frequency			50Hz				
Modify date														

1	2		3		4	5		6	7		8		
NO.	Symbol	Name	Manufacturer	Type	Specification	Number	Material number	Remark					
1	Q1	Circuit breaker	TECO	BM-63C/3010S	10A 3P	1	YE40301003000						
2		Excitation release	----	MX	24V 50/60Hz	1	YE40024000000						
3	Q2	Circuit breaker	TECO	BM-63C/1003S	3A 1P	1	YE40100203000		A				
4	K1	Contactora	SIEMENS	3RT6015-1AB01	24V 7A 50/60Hz 1NO	1	YE00601502500						
5	K2	Contactora	SIEMENS	3RT6016-1AB01	24V 9A 50/60Hz	1	YE00601602500						
6	T	Transformer	JUJXIN	IN=230V/200V OUT=24V	80VA	1	YE70023005200						
7	PCB	Dryer controller/PCB	YuYun	TS-02(24VAC)(with comm.)	24V 50/60Hz	1	YE80022401200						
8	S1	<del>温度保护器/Overheat protector</del>	EGO	----	115-320 °C	1	BH90115000150	Cancel					
9	S1	Overheat protector	----	----	180°C	1	----	Increase(1)					
10	S2	Thermocouple	SHINI	KTYPE	----	1	----	(1)					
11	S3	Comm. interface board RS-485(Dsub-9pin connector)	YUYUN	TODSUB__V23	Double DSUB-9PIN connector	1	YE90048501200		B				
12		Shell RS485(SAL-700G-A-19)ver. 0	BINCHENG	----	----	1	YR40048500000						
13	M1	Blower	SHINI	0.075kW	230V 50HZ	1	----	(1)					
14	EH1	Heater	SHINI	3kW	230V 50HZ	1	----	(1)					
15	X1	Spring wiring terminal SK2.5(Honeywell)	Honeywell	SK2.5	2.5mm <sup>2</sup>	2- 8	YE60002503200	Revised					
16		Spring wiring terminal SK2.5(Honeywell)	Honeywell	GK2.5PE	2.5mm <sup>2</sup> PE	1	YE60002503400						
17		Terminal fittings E/GK series (Honeywell)	Honeywell	----	GK series	3	YE60000003900						
18	H1	3-color alarm lamp	SHINI	Red. yel. green.+ buzzer	24V AC/DC	1	BL90002401520	Increase					
									C				
D													
机型版本 Ver.C			Notes: (1)Materials in the control box;										
				Drawer		Version	B	Title	SEHD-12	Drawing NO.	SEHD-12-CE-230V-B-4	Scale	Page 4
				Designer		Approved by		Electrical parts List 1		Standard	CE	Totally 4	Pages
				Proofread by		Date	20210115	 <b>信易電熱機械股份有限公司</b> <b>Shini Plastics Technologies, Inc.</b>			Voltage	3φ230V	
Mark	Before modification	After modification	Modified by	Modify date	Checked by						Frequency	50Hz	
1	2	3	4	5	6	7	8						



机型版本 Ver.B

D					Drawer		Version	A	Title	SEHD-25	Drawing NO.	Scale	Page	1
					Designer		Approved by		Main Circuit Diagram	SEHD-25-CE-230V-A-1	Standard	CE	Totally	4 Pages
					Proofread by		Date	20210115	 <b>信易電熱機械股份有限公司</b> <b>Shini Plastics Technologies, Inc.</b>	Voltage	3φ230V			
	Mark	Before modification	After modification	Modified by	Modify date	Checked by				Frequency	50Hz			

1

2

3

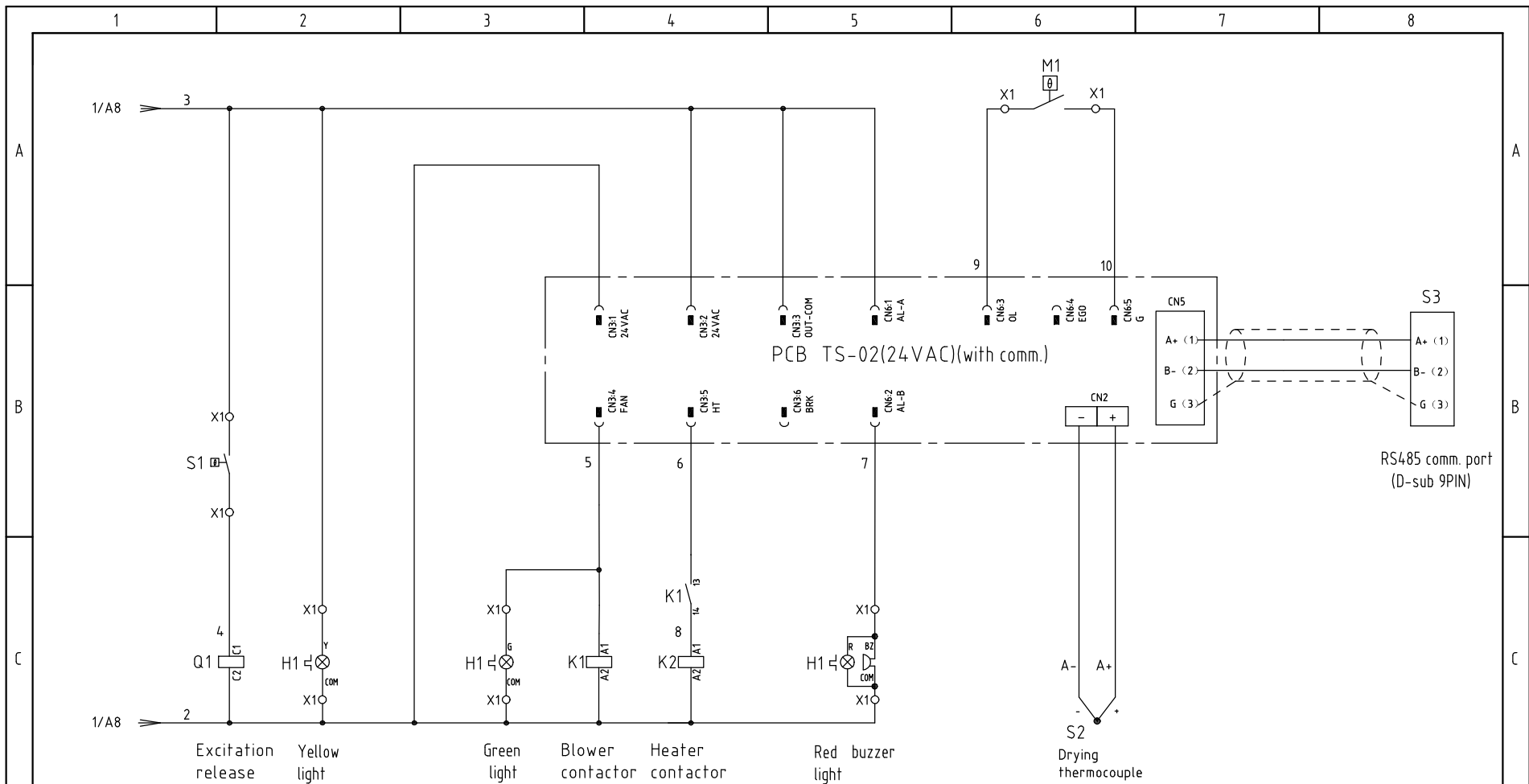
4

5

6


7

8

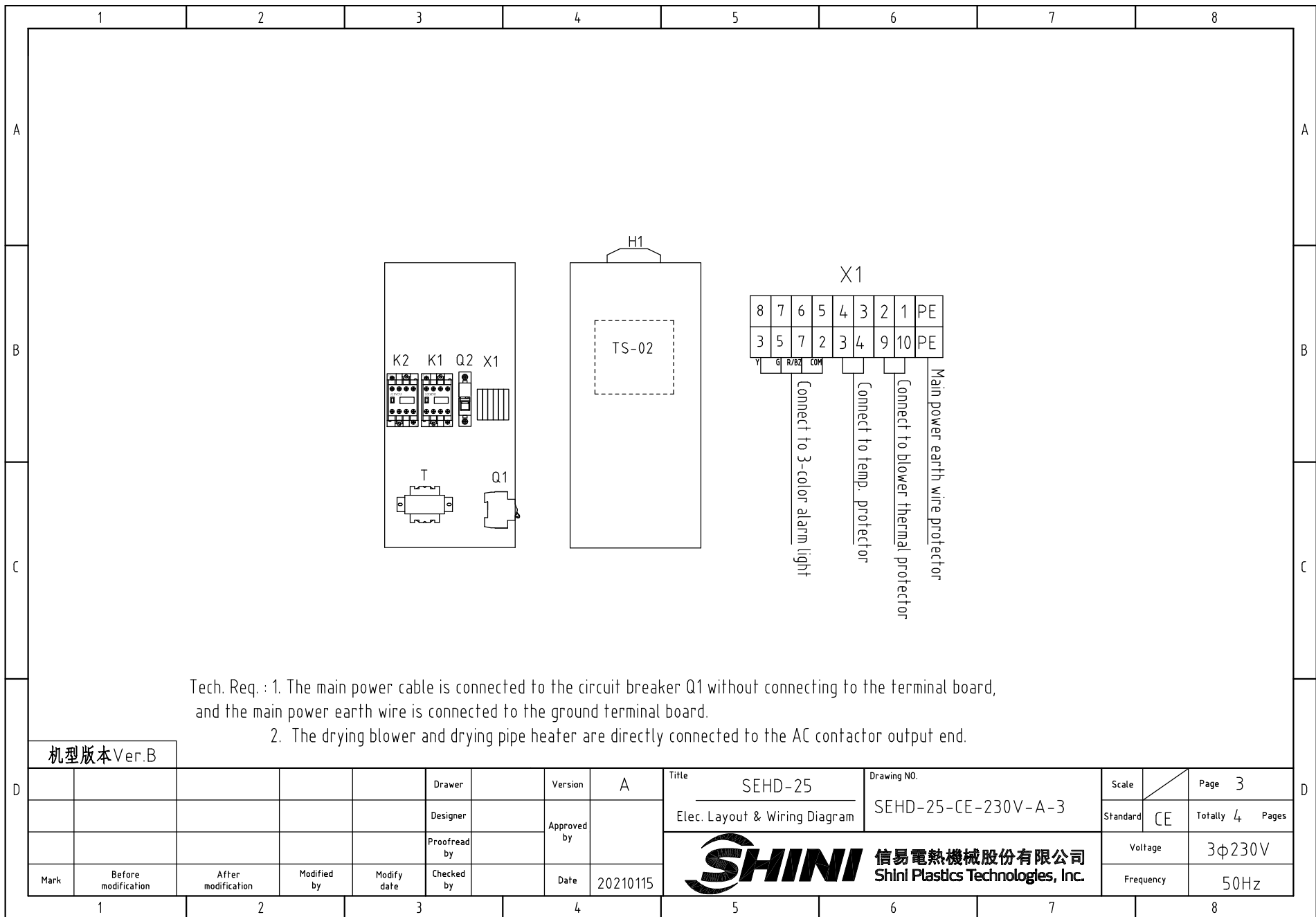


机型版本 Ver.B

Note: M1 is the overheat protector of the drying blower.

D	Drawer	Version	A	Title	SEHD-25	Drawing NO.	SEHD-25-CE-230V-A-2	Scale	Page 2
	Designer	Approved by		Electrical Diagram		Standard	CE	Totally 4 Pages	
D	Proofread by	Checked by	Date	20210115	 <b>信易電熱機械股份有限公司</b> <b>Shini Plastics Technologies, Inc.</b>		Voltage	3φ230V	
	Mark	Before modification	After modification	Modify date			Frequency	50Hz	

1 2 3 4 5 6 7 8

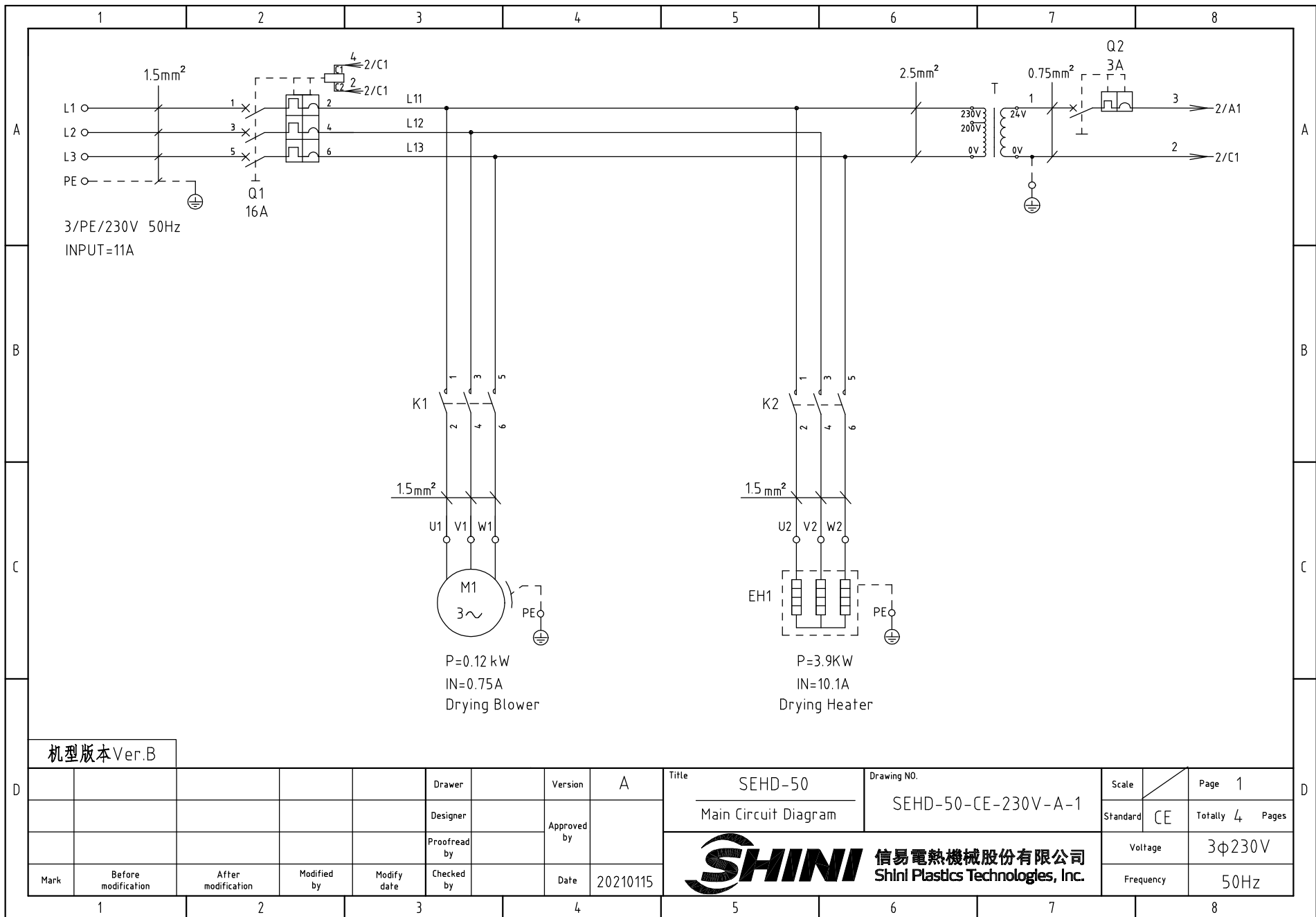


Tech. Req. : 1. The main power cable is connected to the circuit breaker Q1 without connecting to the terminal board,  
and the main power earth wire is connected to the ground terminal board.  
2. The drying blower and drying pipe heater are directly connected to the AC contactor output end.

机型版本 Ver.B				Drawer	Version	A	Title	SEHD-25	Drawing NO.	Scale	Page	3
Mark	Before modification	After modification	Modified by	Modify date	Checked by	Date	20210115	SEHD-25-CE-230V-A-3	SEHD-25-CE-230V-A-3	Standard	CE	Totally 4 Pages
								<b>信易電熱機械股份有限公司</b> <b>Shini Plastics Technologies, Inc.</b>		Voltage	3φ230V	
										Frequency	50Hz	

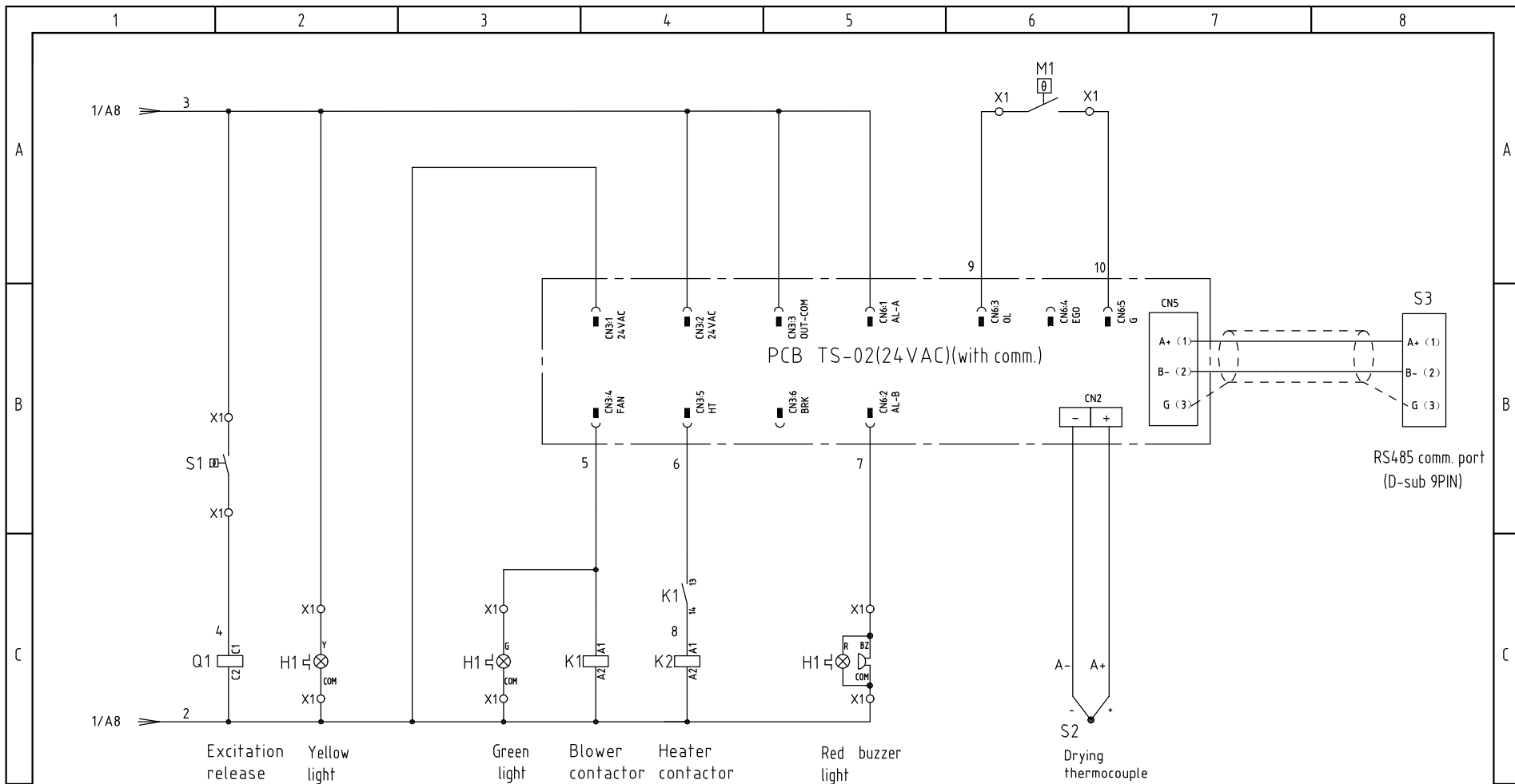
1		2		3		4		5		6		7		8		
NO.	Symbol	Name		Manufacturer		Type		Specification		Number	Material number		Remark			
A	1	Q1	Circuit breaker		TECO		BM-63C/3016S		16A 3P		1	YE40301603000				
	2		Excitation release		---		MX		24V 50/60Hz		1	YE40024000000				
	3	Q2	Circuit-breaker		TECO		BM-63C/1003S		3A 1P		1	YE40100203000				
	4	K1	Contactor		SIEMENS		3RT6015-1AB01		24V 7A 50/60Hz 1NO		1	YE00601502500				
	5	K2	Contactor		SIEMENS		3RT6017-1AB01		24V 12A 50/60Hz		1	YE00601702500				
	6	T	Transformer		JIUXIN		IN=230V/200V OUT=24V		80VA		1	YE70023005200				
	7	PCB	Dryer controller/PCB		YuYun		TS-02(24VAC)(with comm.)		24V 50/60Hz		1	YE80022401200				
B	8	S1	<del>温度保护器/Overheat protector</del>		EGO		---		115-320 °C		1	BH90115000150		Cancel		
	9	S1	Overheat protector		---		---		180°C		1	---		Increase(1)		
	10	S2	Thermocouple		SHINI		KTYPE		---		1	---		(1)		
	11	S3	Comm. interface board RS-485(Dsub-9pin connector)		---		---		---		1	YE90048501200				
	12		Shell RS485(SAL-700G-A-19)ver. 0		---		---		---		1	YR40048500000				
	13	M1	Blower		---		---		0.12kW 230V 50HZ		1	---		(1)		
	14	EH1	Heater		SHINI		---		3kW 230V		1	---		(1)		
C	15	X1	Spring wiring terminal SK2.5(Honeywell)		Honeywell		SK2.5		2.5mm <sup>2</sup>		<del>2</del> 8	YE60002503200		Revised		
	16		Spring wiring terminal SK2.5(Honeywell)		Honeywell		GK2.5PE		2.5mm <sup>2</sup> PE		1	YE60002503400				
	17		Terminal fittings E/GK series (Honeywell)		Honeywell		---		GK series		3	YE60000003900				
	18	H1	3-color alarm lamp		SHINI		Red. yel. green.+ buzzer		24V AC/DC		1	BL90002401520		Increase		
D	机型版本 Ver.B		Notes: (1)Materials in the control box;													
					Drawer		Version	A	Title	SEHD-25	Drawing NO.		Scale		Page	4
					Designer		Approved by		Electrical parts List 1	SEHD-25-CE-230V-A-4		Standard	CE	Totally	4	Pages
	Mark	Before modification	After modification	Modified by	Modify date	Checked by		Date	20210115	 <b>信易電熱機械股份有限公司</b> <b>Shini Plastics Technologies, Inc.</b>		Voltage	3φ230V			
												Frequency	50Hz			






机型版本 Ver.B

D	Drawer	Version	A	Title	SEHD-50	Drawing NO.	SEHD-50-CE-230V-A-1	Scale	Page 1
	Designer	Approved by		Main Circuit Diagram		Standard	CE	Totally 4	Pages
	Proofread by	Date	20210115	<b>信易電熱機械股份有限公司</b> <b>Shini Plastics Technologies, Inc.</b>		Voltage	3φ230V		
	Mark	Before modification	After modification			Modified by	Modify date	Checked by	Frequency

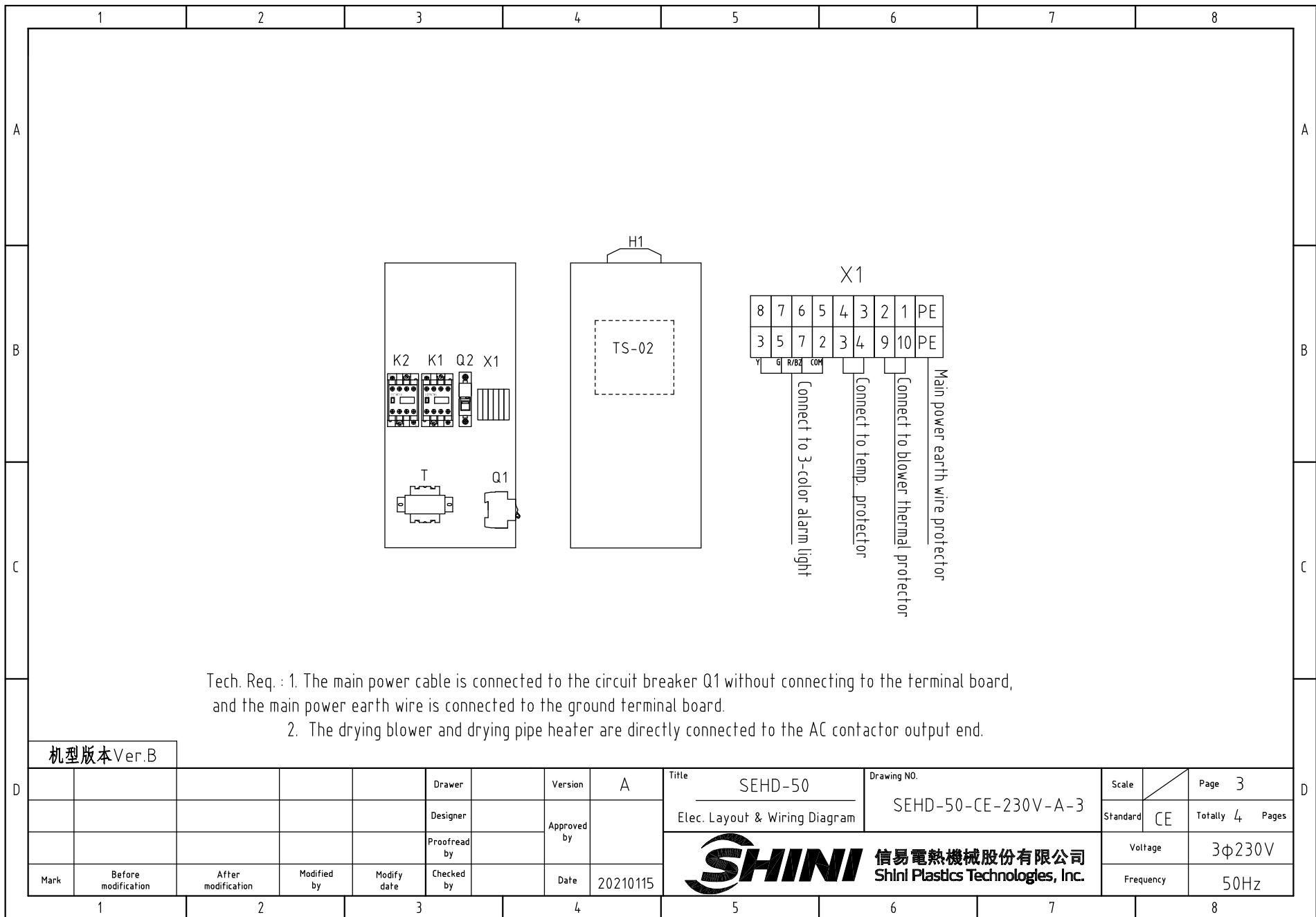


机型版本 Ver.B

Note: M1 is the overheat protector of the drying blower.


D	Drawer	Version	A	Title	SEHD-50	Drawing NO.	SEHD-50-CE-230V-A-2	Scale	Page 2
	Designer	Approved by		Electrical Diagram		Standard	CE	Totally 4 Pages	
D	Proofread by	Checked by	Date	20210115	 <b>信易電熱機械股份有限公司</b> <b>Shini Plastics Technologies, Inc.</b>		Voltage	3φ230V	
	Mark	Before modification	After modification	Modify date			Frequency	50Hz	

1 2 3 4 5 6 7 8

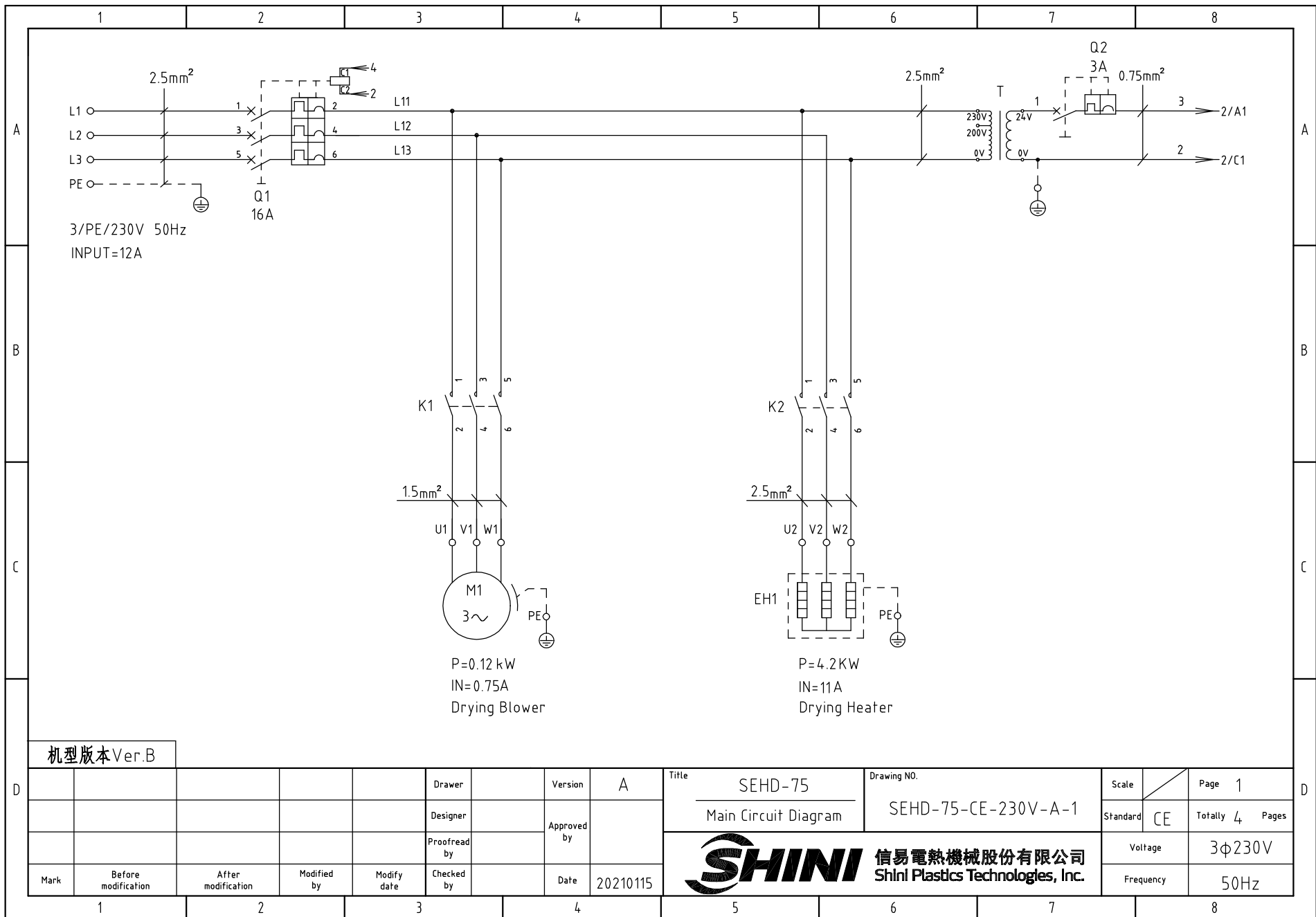


Tech. Req. : 1. The main power cable is connected to the circuit breaker Q1 without connecting to the terminal board, and the main power earth wire is connected to the ground terminal board.  
 2. The drying blower and drying pipe heater are directly connected to the AC contactor output end.


机型版本 Ver.B

D	Mark				Drawer	Version	A	Title	SEHD-50	Drawing NO.	SEHD-50-CE-230V-A-3	Scale	Page 3	
	Before modification				Designer	Approved by		Elec. Layout & Wiring Diagram		Standard	CE	Totally 4	Pages	
	After modification				Proofread by	Date	20210115	 <b>信易電熱機械股份有限公司</b> <b>Shini Plastics Technologies, Inc.</b>					Voltage	3φ230V
	Modified by				Checked by								Frequency	50Hz

1	2		3		4	5		6		7		8	
NO.	Symbol	Name		Manufacturer	Type	Specification		Number	Material number		Remark		
	1	Q1	Circuit-breaker		TECO	BM-63C/3016S		16A 3P	1	YE40301603000			
A	2		Excitation release		---	MX		24V 50/60Hz	1	YE40024000000			
	3	Q2	Circuit-breaker		TECO	BM-63C/1003S		3A 1P	1	YE40100203000			
	4	K1	Contactor		SIEMENS	3RT6015-1AB01		24V 7A 50/60Hz 1NO	1	YE00601502500			
	5	K2	Contactor		SIEMENS	3RT6025-1AC20		24V 17A 50/60Hz	1	YE00602502600			
	6	T	Transformer		JIUXIN	IN=230V/200V OUT=24V		80VA	1	YE70023005200			
	7	PCB	Dryer controller/PCB		YuYun	TS-02(24VAC)(with comm.)		24V 50/60Hz	1	YE80022401200			
	B	8	S1	<del>温度保护器/Overheat protector</del>		EGO	---		115-320 °C	1	BH90115000150		Cancel
9		S1	Overheat protector		----	----		180°C	1	---		Increase(1)	
10		S2	Thermocouple		SHINI	KTYPE		---	1	---		(1)	
11		S3	Comm. interface board RS-485(Dsub-9pin connector)		---	---		---	1	YE90048501200			
12			Shell RS485(SAL-700G-A-19)ver. 0		---	---		---	1	YR40048500000			
13		M1	Blower		---	---		0.12kW 230V 50HZ	1	---		(1)	
14		EH1	Heater		SHINI	---		3.9kW 230V	1	---		(1)	
15		X1	Spring wiring terminal SK2.5(Honeywell)		Honeywell	SK2.5		2.5mm <sup>2</sup>	2	8	YE60002503200		Revised
C	16		Spring wiring terminal SK2.5(Honeywell)		Honeywell	GK2.5PE		2.5mm <sup>2</sup> PE	1	YE60002503400			
	17		Terminal fittings E/GK series (Honeywell)		Honeywell	---		GK series	3	YE60000003900			
	18	H1	3-color alarm lamp		SHINI	Red. yel. green.+ buzzer		24V AC/DC	1	BL90002401520		Increase	
D	机型版本 Ver.B		Notes: (1)Materials in the control box;										
					Drawer		Version	A	Title	SEHD-50	Drawing NO.	Scale	Page 4
					Designer		Approved by		Electrical parts List 1	SEHD-50-CE-230V-A-4	Standard	CE	Totally 4 Pages
	Mark	Before modification	After modification	Modified by	Modify date	Checked by	Date	20210115	 <b>信易電熱機械股份有限公司</b> <b>Shini Plastics Technologies, Inc.</b>		Voltage	3φ230V	
								Frequency			50Hz		



机型版本 Ver.B

D	Drawer	Version	A	Title	SEHD-75	Drawing NO.	SEHD-75-CE-230V-A-1	Scale	Page 1
	Designer	Approved by		Main Circuit Diagram		Standard	CE	Totally 4	Pages
	Proofread by	Date	20210115	 <b>信易電熱機械股份有限公司</b> <b>Shini Plastics Technologies, Inc.</b>		Voltage	3φ230V		
	Mark	Before modification	After modification			Modified by	Modify date	Checked by	Frequency

1

2

3

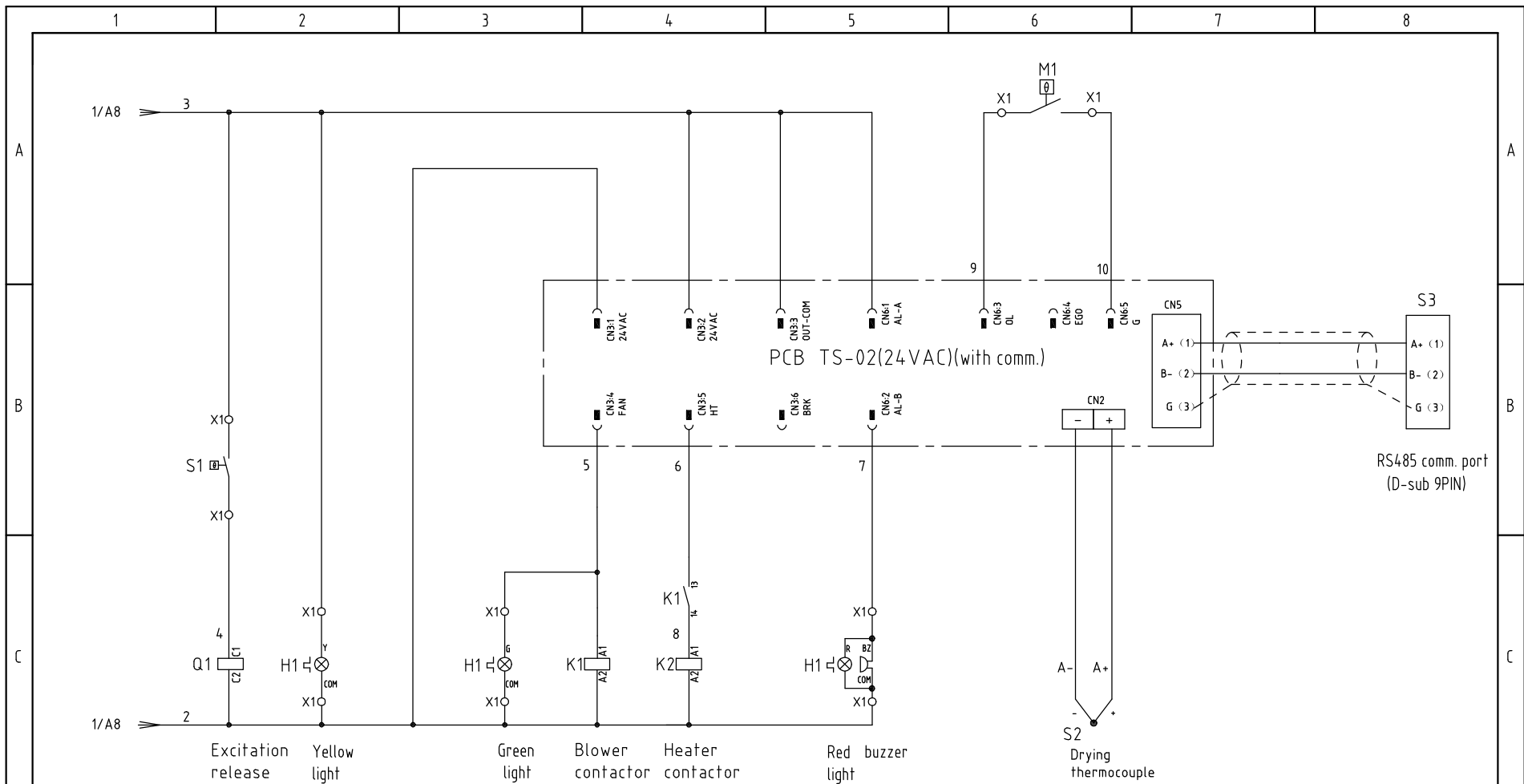
4

5

6


7

8

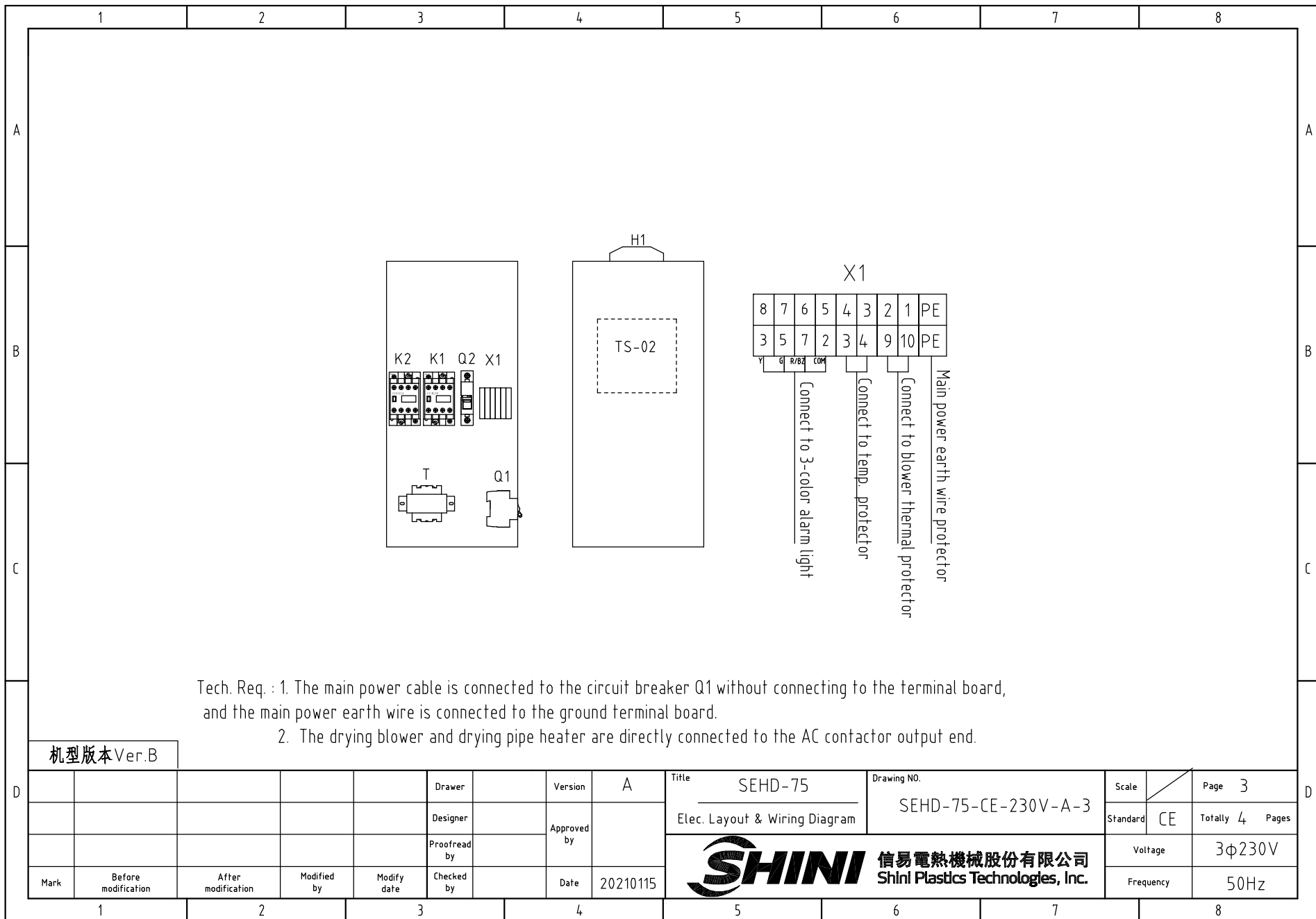


机型版本 Ver.B

Note: M1 is the overheat protector of the drying blower.

D	Drawer	Version	A	Title	SEHD-75	Drawing NO.	SEHD-75-CE-230V-A-2	Scale	Page 2
	Designer	Approved by		Electrical Diagram		Standard	CE	Totally 4	Pages
D	Proofread by	Date	20210115	 <b>信易電熱機械股份有限公司</b> Shini Plastics Technologies, Inc.				Voltage	3φ230V
	Mark	Before modification	After modification					Modified by	Modify date


1 2 3 4 5 6 7 8



Tech. Req. : 1. The main power cable is connected to the circuit breaker Q1 without connecting to the terminal board, and the main power earth wire is connected to the ground terminal board.

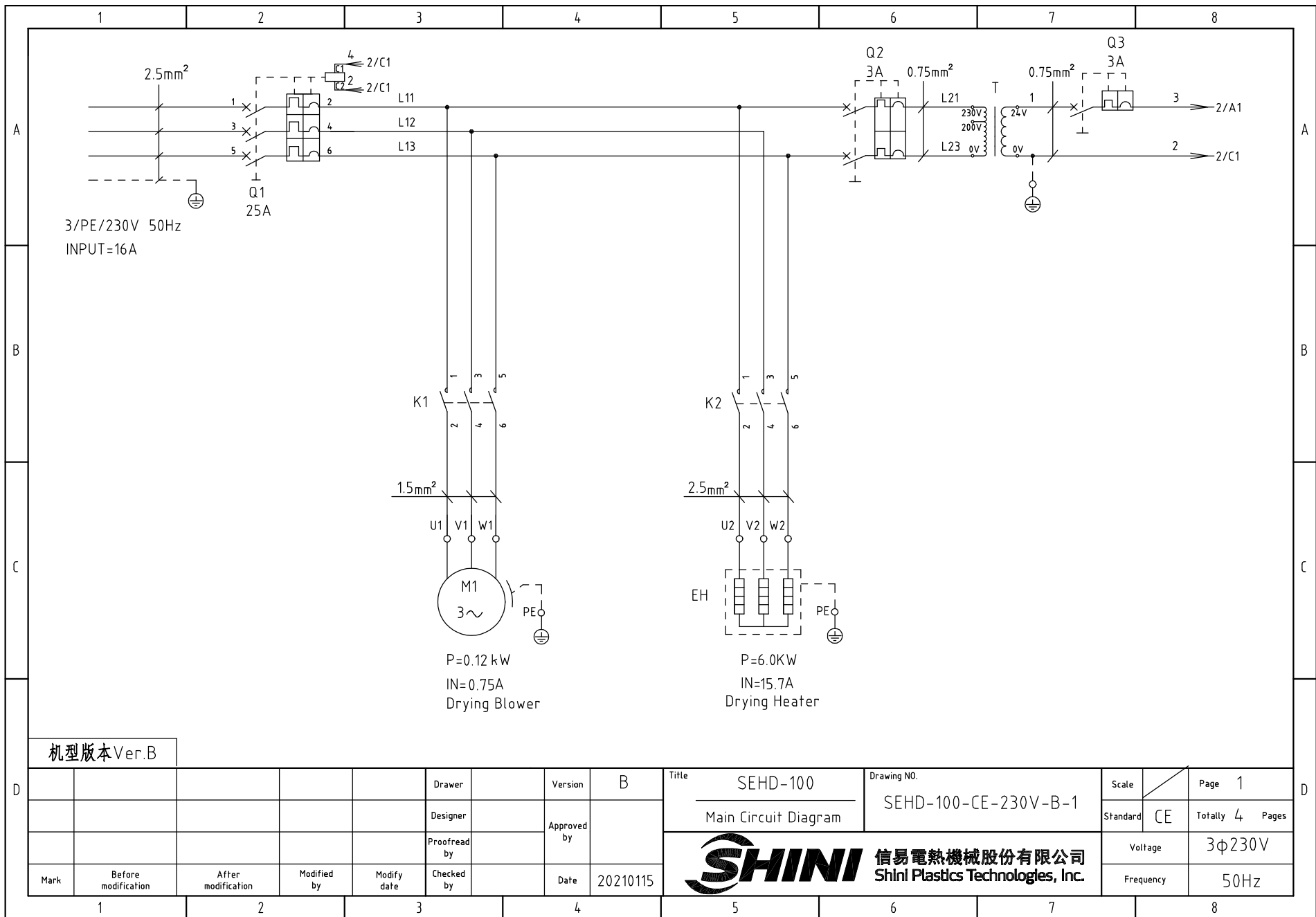
2. The drying blower and drying pipe heater are directly connected to the AC contactor output end.

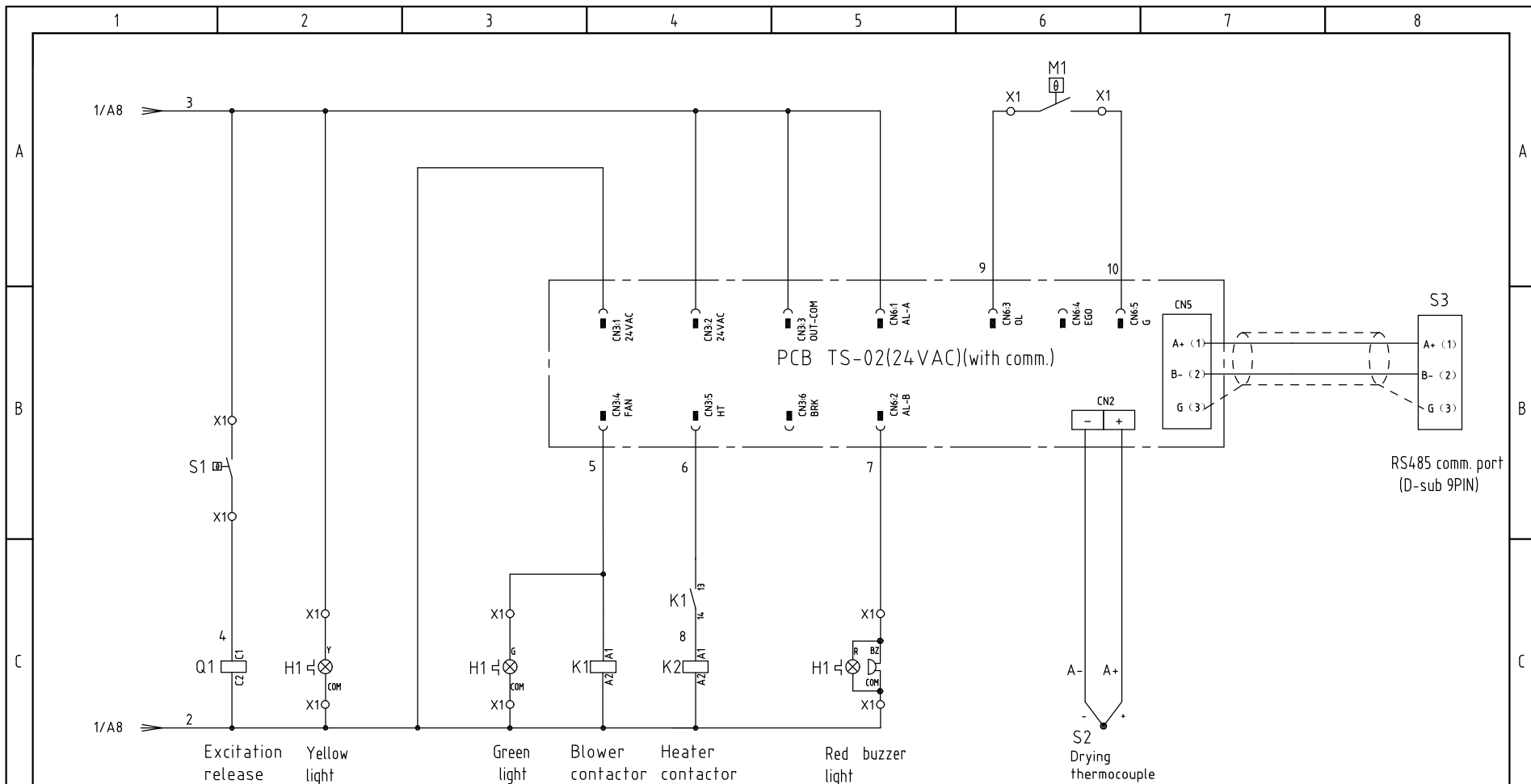
机型版本 Ver.B

				Drawer		Version	A	Title	SEHD-75	Drawing NO.	SEHD-75-CE-230V-A-3	Scale	Page	3
				Designer		Approved by		Elec. Layout & Wiring Diagram		Standard		CE	Totally	4 Pages
				Proofread by		Date	20210115	 <b>信易電熱機械股份有限公司</b> <b>Shini Plastics Technologies, Inc.</b>		Voltage		3φ230V		
Mark	Before modification	After modification	Modified by	Modify date	Checked by					Frequency		50Hz		

1		2		3		4		5		6		7		8	
NO.	Symbol	Name		Manufacturer		Type		Specification		Number	Material number		Remark		
A	1	Q1	Circuit breaker		TECO		BM-63C/3016S		16A 3P		1	YE40301603000			
	2		Excitation release		---		MX		24V 50/60Hz		1	YE40024000000			
	3	Q2	Circuit breaker		TECO		BM-63C/1003S		3A 1P		1	YE40100203000			
	4	K1	Contactor		SIEMENS		3RT6015-1AB01		24V 7A 50/60Hz 1NO		1	YE00601502500			
	5	K2	Contactor		SIEMENS		3RT6018-1AB01		24V 17A 50/60Hz		1	YE00601802500			
	6	T	Transformer		JIUXIN		IN=230V/200V OUT=24V		80VA		1	YE70023005200			
	7	PCB	Dryer controller/PCB		YUYUN		TS-02(24VAC)(with comm.)		24V 50/60Hz		1	YE80022401200			
B	8	S1	<del>温度保护器/Overheat protector</del>		EGO		---		115-320 °C		1	BH90115000150		Cancel	
	9	S1	Overheat protector		---		---		180°C		1	---		Increase(1)	
	10	S2	Thermocouple		SHINI		KTYPE		---		1	---		(1)	
	11	S3	Comm. interface board RS-485(Dsub-9pin connector)		---		---		---		1	YE90048501200			
	12		Shell RS485(SAL-700G-A-19)ver. 0		---		---		---		1	YR40048500000			
	13	M1	Blower		---		---		0.12kW 230V 50HZ		1	---		(1)	
	14	EH1	Heater		SHINI		---		4.2kW 230V		1	---		(1)	
	15	X1	Spring wiring terminal SK2.5(Honeywell)		Honeywell		SK2.5		2.5mm <sup>2</sup>		2	8	YE60002503200		Revised
C	16		Earth terminal SK2.5(Honeywell)		Honeywell		GK2.5PE		2.5mm <sup>2</sup> PE		1	YE60002503400			
	17		Terminal fittings E/GK series (Honeywell)		Honeywell		---		GK series		3	YE60000003900			
	18	H1	3-color alarm lamp		SHINI		Red. yel. green.+ buzzer		24V AC/DC		1	BL90002401520		Increase	
D	机型版本 Ver.B		Notes: (1)Materials in the control box;												
					Drawer		Version	A	Title	SEHD-75	Drawing NO.	Scale	Page	4	
					Designer		Approved by		Electrical parts List 1	SEHD-75-CE-230V-A-4	Standard	CE	Totally	4 Pages	
	Mark	Before modification	After modification	Modified by	Modify date	Checked by	Date	20210115	 信易電熱機械股份有限公司 Shini Plastics Technologies, Inc.		Voltage	3φ230V			
											Frequency	50Hz			





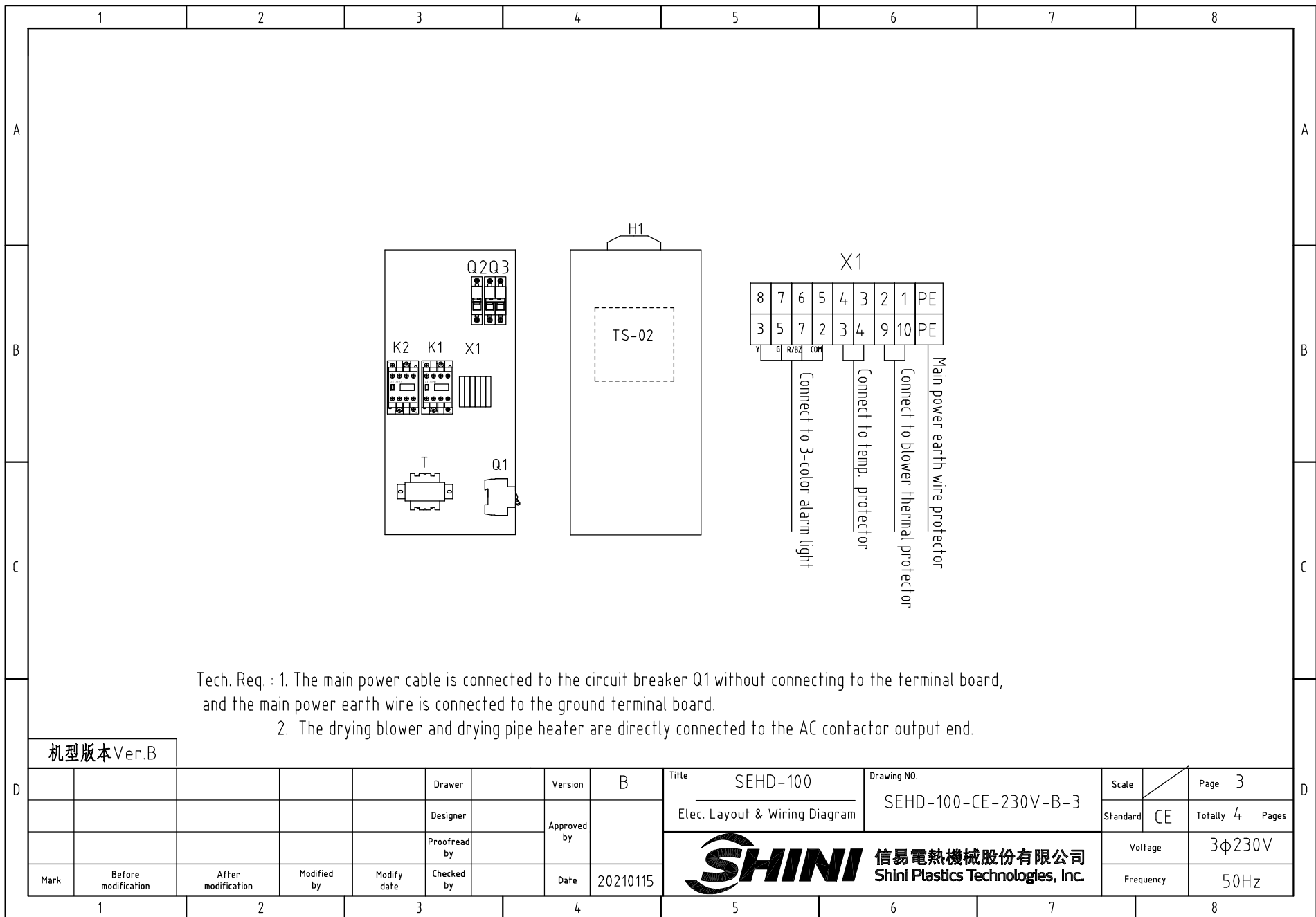


机型版本 Ver.B

Note: M1 is the overheat protector of the drying blower.


D	Drawer	Version	B	Title	SEHD-100	Drawing NO.	SEHD-100-CE-230V-B-2	Scale	Page 2
	Designer	Approved by		Electrical Diagram		Standard	CE	Totally 4 Pages	
Mark	Before modification	After modification	Modified by	Modify date	Checked by	Date	20210115	Voltage	3φ230V
								Frequency	50Hz



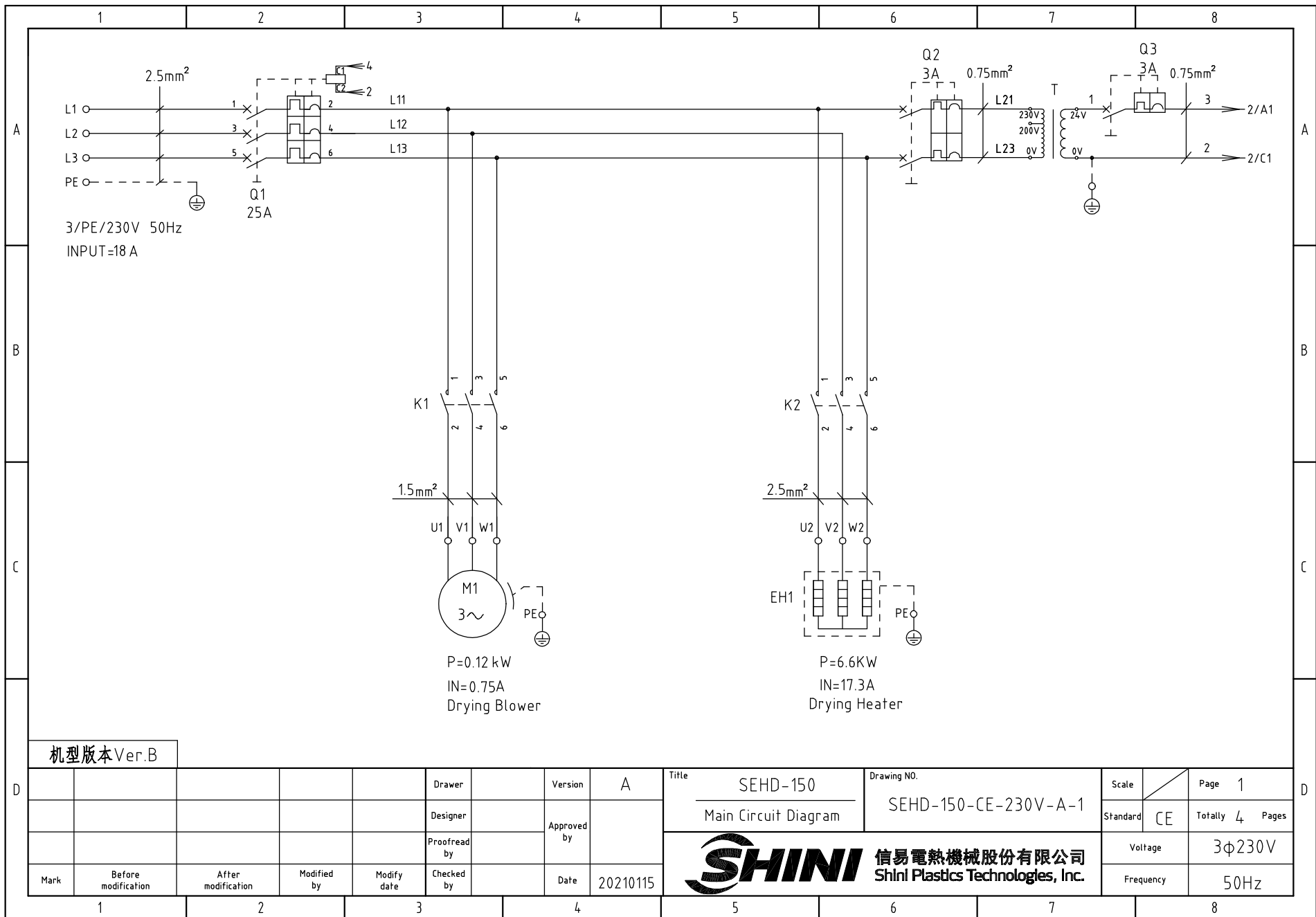


Tech. Req. : 1. The main power cable is connected to the circuit breaker Q1 without connecting to the terminal board, and the main power earth wire is connected to the ground terminal board.  
 2. The drying blower and drying pipe heater are directly connected to the AC contactor output end.

机型版本 Ver.B

				Drawer		Version	B	Title	SEHD-100	Drawing NO.	SEHD-100-CE-230V-B-3	Scale	Page 3
				Designer		Approved by		Elec. Layout & Wiring Diagram		Standard		CE	Totally 4 Pages
				Proofread by		Date	20210115	 <b>信易電熱機械股份有限公司</b> <b>Shini Plastics Technologies, Inc.</b>		Voltage		3φ230V	
Mark	Before modification	After modification	Modified by	Modify date	Checked by					Frequency		50Hz	

1		2		3		4		5		6		7		8	
NO.	Symbol	Name		Manufacturer		Type		Specification		Number	Material number		Remark		
A	1	Q1	Circuit breaker		TECO		BM-63C/3025S		25A 3P		1	YE40302503000			
	2		Excitation release		---		MX		24V 50/60Hz		1	YE40024000000			
	3	Q2	Circuit breaker		TECO		BM-63C/1003S		3A 2P		1	YE40200203000			
	4	Q3	Circuit breaker		TECO		BM-63C/1003S		3A 1P		1	YE40100203000			
	5	K1	Contactor		SIEMENS		3RT6015-1AB01		24V 7A 50/60Hz 1NO		1	YE00601502500			
	6	K2	Contactor		SIEMENS		3RT6025-1AC20		24V 17A 50/60Hz		1	YE00602502600			
	7	T	Transformer		JIUXIN		IN=230V/230V OUT=24V		80VA		1	YE70023005200			
B	8	PCB	Dryer controller/PCB		YuYun		TS-02(24VAC)(with comm.)		24V 50/60Hz		1	YE80022401200			
	9	S1	温度保护器/Overheat protector		EGO		---		115-320 °C		1	BH90115000150		Cancel	
	10	S1	Overheat protector		---		---		180°C		1	---		Increase(1)	
	11	S2	Thermocouple		SHINI		KTYPE		---		1	---		(1)	
	12	S3	Comm. interface board RS-485(Dsub-9pin connector)		---		---		---		1	YE90048501200			
	13		Shell RS485(SAL-700G-A-19)ver. 0		---		---		---		1	YR40048500000			
	14	M1	Blower		---		---		0.12kW 230V 50HZ		1	---		(1)	
C	15	EH	Heater		SHINI		---		6kW 230V		1	---		(1)	
	16	X1	Spring wiring terminal SK2.5(Honeywell)		Honeywell		SK2.5		2.5mm <sup>2</sup>		2	8 YE60002503200		Revised	
	17		Earth terminal SK2.5(Honeywell)		Honeywell		GK2.5PE		2.5mm <sup>2</sup> PE		1	YE60002503400			
	18		Terminal fittings E/GK series (Honeywell)		---		---		GK series		3	YE60000003900			
	19	H1	3-color alarm lamp		SHINI		Red, yel. green.+ buzzer		24V AC/DC		1	BL90002401520		Increase	
D	机型版本 Ver.B		Notes: (1)Materials in the control box;												
					Drawer		Version	B	Title	SEHD-100	Drawing NO.		Scale		Page 4
					Designer		Approved by		Electrical parts List 1	SEHD-100-CE-230V-B-4		Standard	CE	Totally 4	Pages
	Mark	Before modification	After modification	Modified by	Modify date	Checked by		Date	20210115	 <b>信易電熱機械股份有限公司</b> <b>Shini Plastics Technologies, Inc.</b>		Voltage	3φ230V		
												Frequency	50Hz		



机型版本 Ver.B

D					Drawer		Version	A	Title	SEHD-150	Drawing NO.	SEHD-150-CE-230V-A-1	Scale	Page 1
					Designer		Approved by		Main Circuit Diagram		Standard CE		Totally 4	Pages
					Proofread by						Voltage	3φ230V		
	Mark	Before modification	After modification	Modified by	Modify date	Checked by	Date	20210115	SHINI 信易電熱機械股份有限公司 Shini Plastics Technologies, Inc.		Frequency	50Hz		

1

2

3

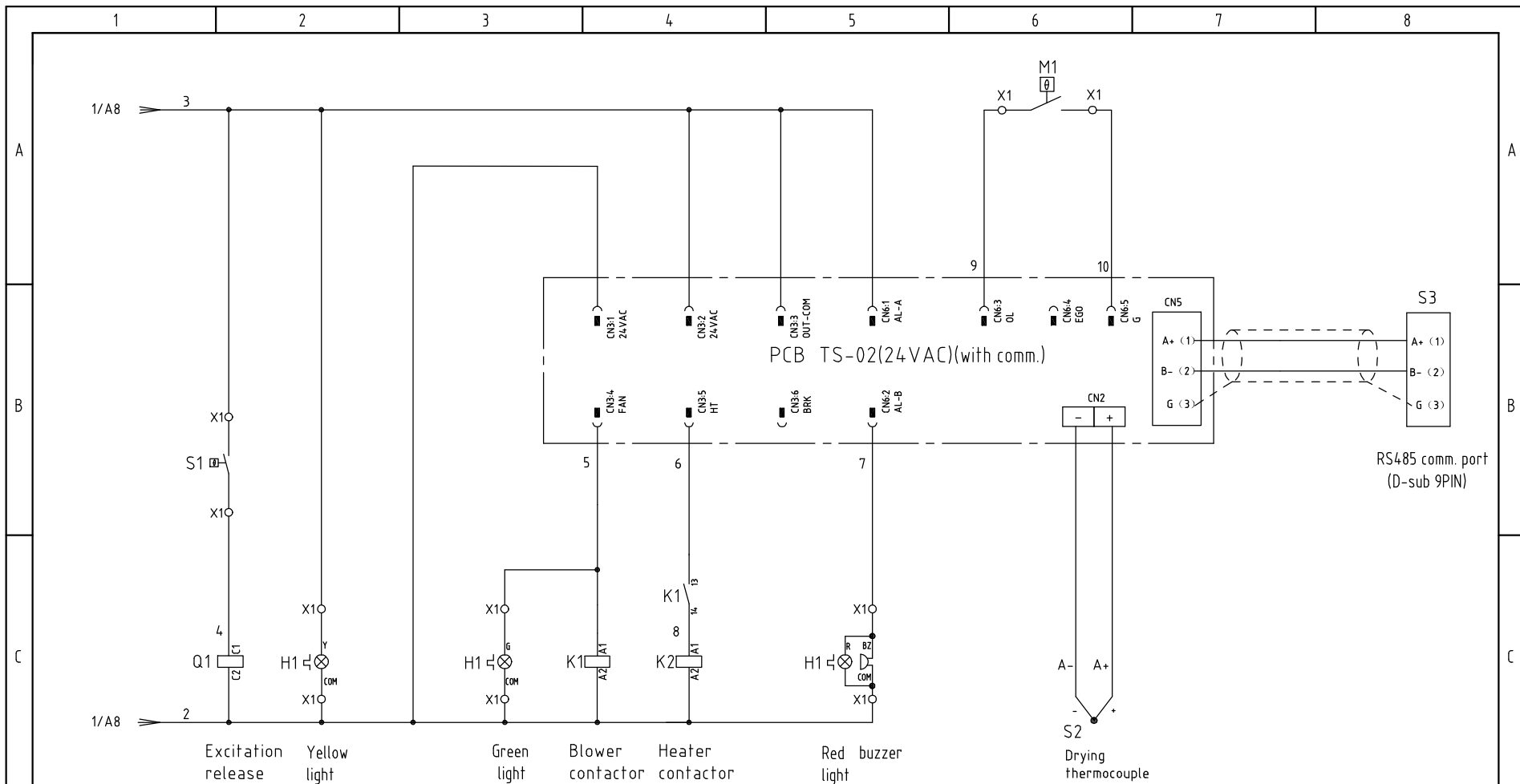
4

5

6

7

8

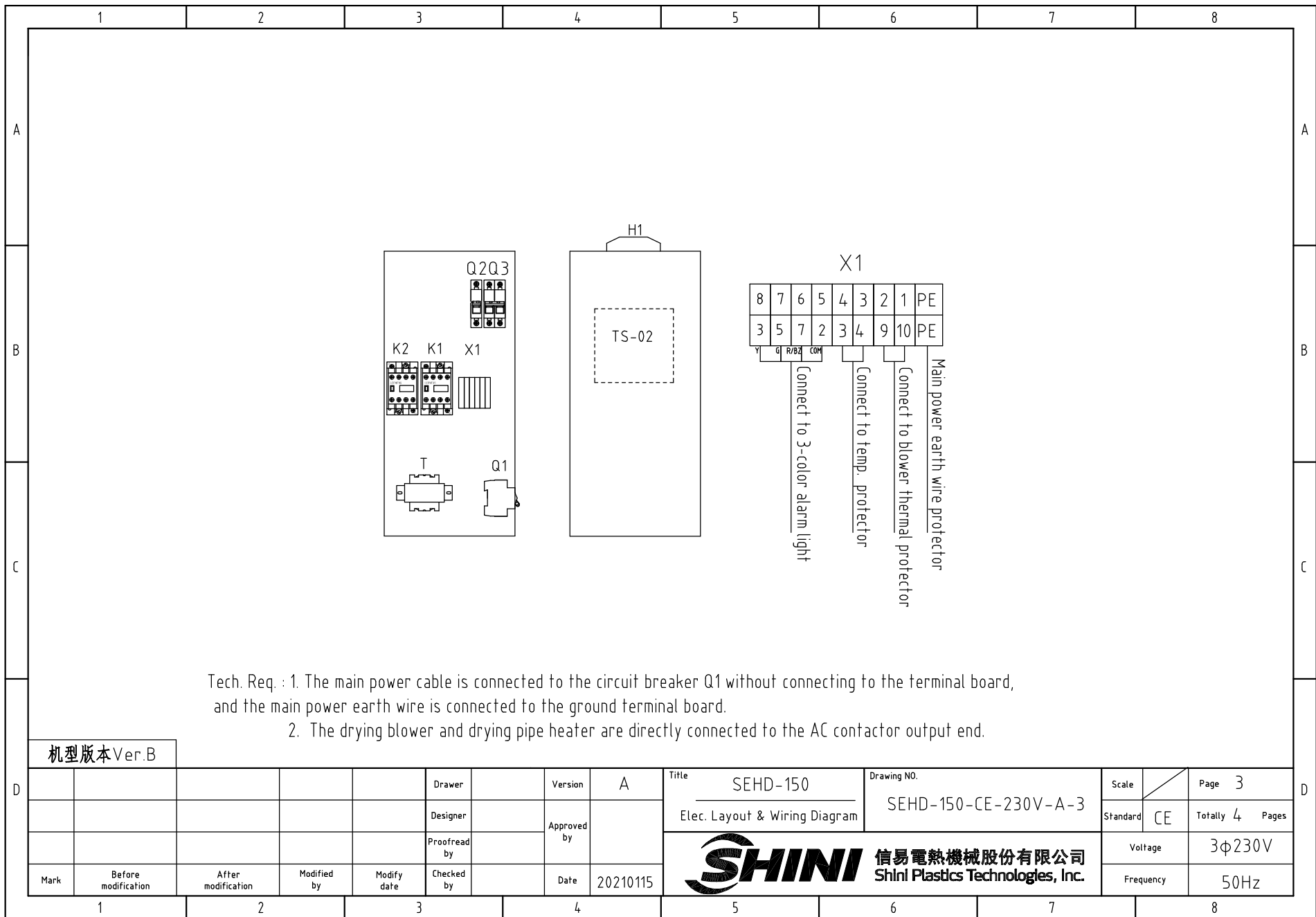


机型版本 Ver.B

Note: M1 is the overhear protector of the drying blower.

D	Drawer	Version	A	Title	SEHD-150	Drawing NO.	SEHD-150-CE-230V-A-2	Scale	Page 2
	Designer	Approved by		Electrical Diagram		Standard	CE	Totally 4 Pages	
Mark	Before modification	After modification	Modified by	Modify date	Checked by	Date	20210115	Voltage	3φ230V
								Frequency	50Hz





Tech. Req. : 1. The main power cable is connected to the circuit breaker Q1 without connecting to the terminal board, and the main power earth wire is connected to the ground terminal board.  
 2. The drying blower and drying pipe heater are directly connected to the AC contactor output end.

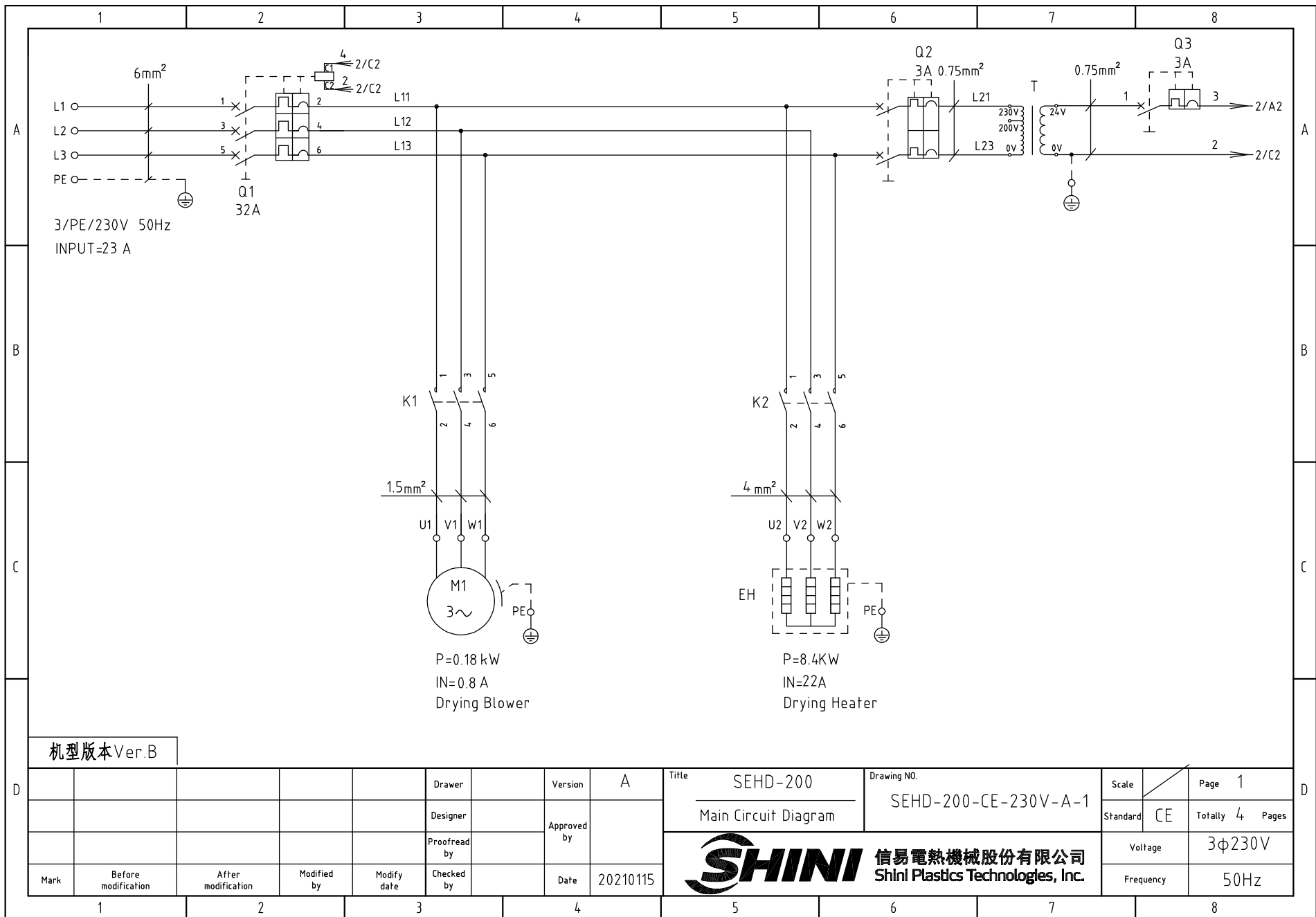
机型版本 Ver.B

D	Mark				Before modification	After modification	Modified by	Modify date	Checked by	Date	20210115	Drawer	Version	A	Title	SEHD-150 Elec. Layout & Wiring Diagram	Drawing NO.	SEHD-150-CE-230V-A-3	Scale	Page	3
												Designer	Approved by				Standard	CE	Totally	4	Pages
												Proofread by						Voltage	3φ230V		
																		Frequency	50Hz		




1		2		3		4		5		6		7		8		
NO.	Symbol	Name		Manufacturer		Type		Specification		Number	Material number		Remark			
A	1	Q1	Circuit-breaker		TECO		BM-63C/3025S		25A 3P		1	YE40302503000				
	2		Excitation release		----		MX		24V 50/60Hz		1	YE40024000000				
	3	Q2	Circuit breaker		TECO		BM-63C/1003S		3A 2P		1	YE40200203000				
	4	Q3	Circuit breaker		TECO		BM-63C/1003S		3A 1P		1	YE40100203000				
	5	K1	Contactor		SIEMENS		3RT6015-1AB01		24V 7A 50/60Hz 1NO		1	YE00601502500				
	6	K2	Contactor		SIEMENS		3RT6026-1AC20		24V 25A 50/60Hz		1	YE00602602600				
	7	T	Transformer		JIUXIN		IN=230V/200V OUT=24V		80VA		1	YE70023005200				
B	8	PCB	Dryer controller/PCB		YUYUN		TS-02(24VAC)(with comm.)		24V 50/60Hz		1	YE80022401200				
	9	S1	温度保护器/Overheat protector		EGO		----		115-320 °C		1	BH90115000150		Cancel		
	10	S1	Overheat protector		----		----		180°C		1	----		Increase(1)		
	11	S2	Thermocouple		SHINI		KTYPE		----		1	----		(1)		
	12	S3	Comm. interface board RS-485(Dsub-9pin connector)		----		----		----		1	YE90048501200				
	13		Shell RS485(SAL-700G-A-19)ver. 0		----		----		----		1	YR40048500000				
	14	M1	Blower		----		----		0.12kW 230V 50HZ		1	----		(1)		
C	15	EH1	Heater		SHINI		----		6kW 230V 6.6KW		1	----		(1)		
	16	X1	Spring wiring terminal SK2.5(Honeywell)		Honeywell		SK2.5		2.5mm <sup>2</sup>		2-8	YE60002503200		Revised		
	17	X1	Earth terminal SK2.5(Honeywell)		Honeywell		GK2.5PE		2.5mm <sup>2</sup> PE		1	YE60002503400				
	18		Terminal fittings E/GK series (Honeywell)						GK series		3	YE60000003900				
	19	H1	3-color alarm lamp		SHINI		Red. yel. green.+ buzzer		24V AC/DC		1	BL90002401520		Increase		
D	机型版本 Ver.B		Notes: (1)Materials in the control box;													
					Drawer		Version	A	Title	SEHD-150	Drawing NO.		Scale		Page	4
					Designer		Approved by		Electrical parts List 1		SEHD-150-CE-230V-A-4	Standard	CE	Totally	4	Pages
	Mark	Before modification	After modification	Modified by	Modify date	Checked by		Date	20210115	 信易電熱機械股份有限公司 Shini Plastics Technologies, Inc.		Voltage	3φ230V		Frequency	50Hz

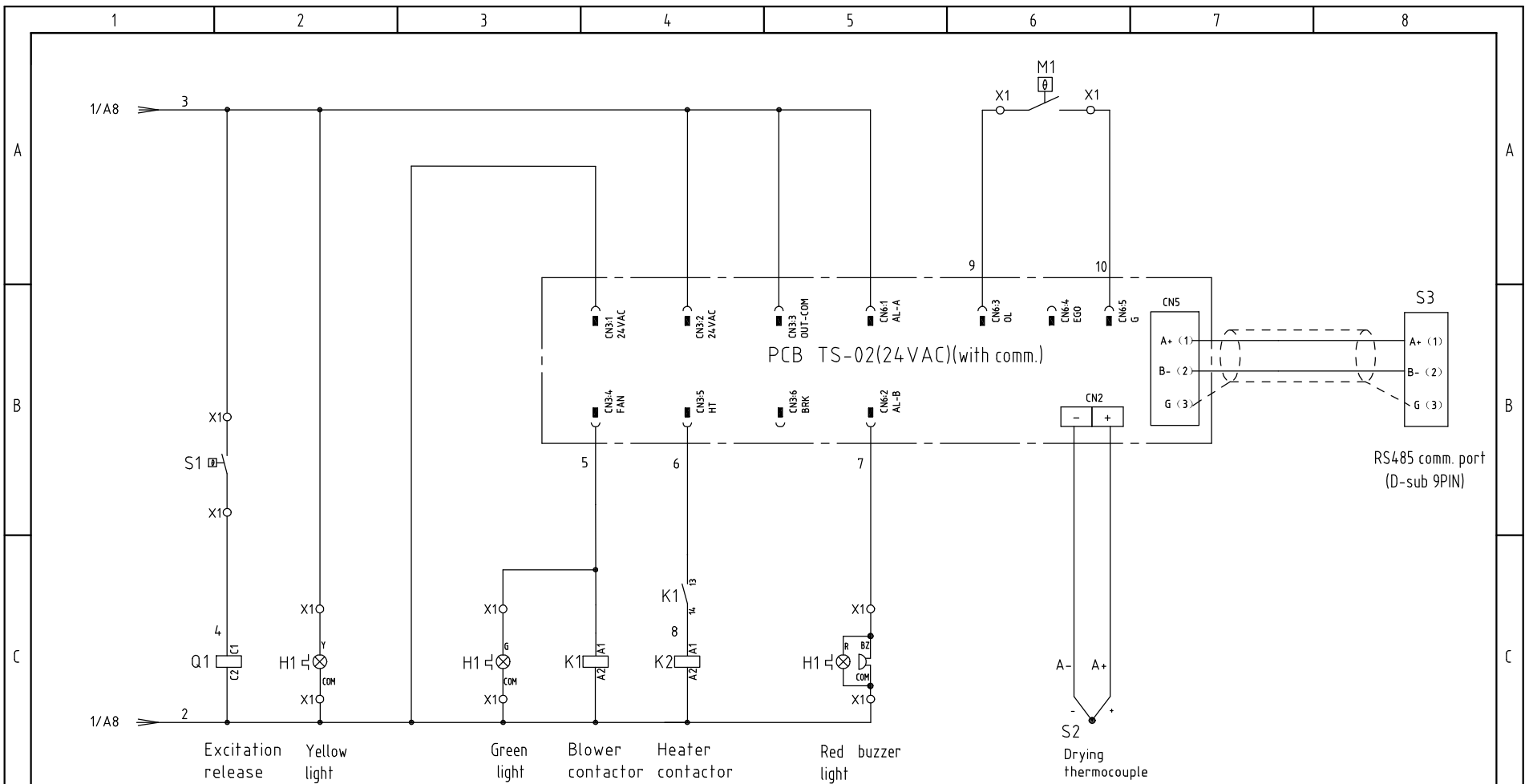




机型版本 Ver.B

D	Drawer		Version	A	Title	SEHD-200	Drawing NO.	SEHD-200-CE-230V-A-1	Scale	Page 1
	Designer		Approved by		Main Circuit Diagram			Standard	CE	Totally 4 Pages
	Proofread by		Date	20210115	 <b>信易電熱機械股份有限公司</b> <b>Shini Plastics Technologies, Inc.</b>		Voltage	3φ230V		
	Mark	Before modification	After modification	Modified by			Modify date	Checked by	Frequency	50Hz

1 2 3 4 5 6 7 8



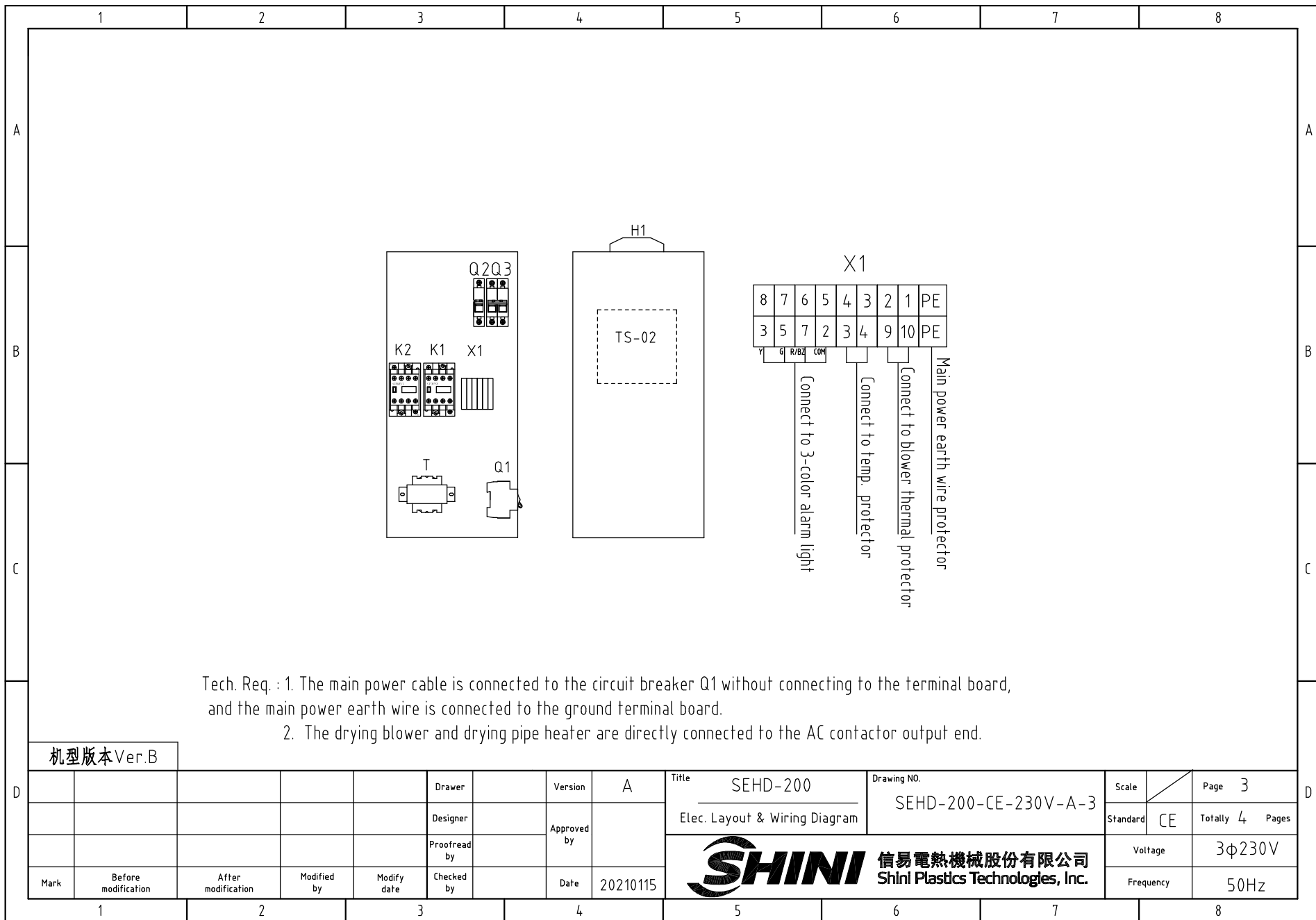
机型版本 Ver.B

Note: M1 is the overheat protector of the drying blower.

D	Drawer	Version	A	Title	SEHD-200	Drawing NO.	SEHD-200-CE-230V-A-2	Scale	Page 2
	Designer	Approved by		Electrical Diagram		Standard	CE	Totally 4 Pages	
Mark	Before modification	After modification	Modified by	Modify date	Checked by	Date	20210115	Voltage	3φ230V
								Frequency	50Hz



**信易電熱機械股份有限公司**  
Shini Plastics Technologies, Inc.



Tech. Req. : 1. The main power cable is connected to the circuit breaker Q1 without connecting to the terminal board, and the main power earth wire is connected to the ground terminal board.

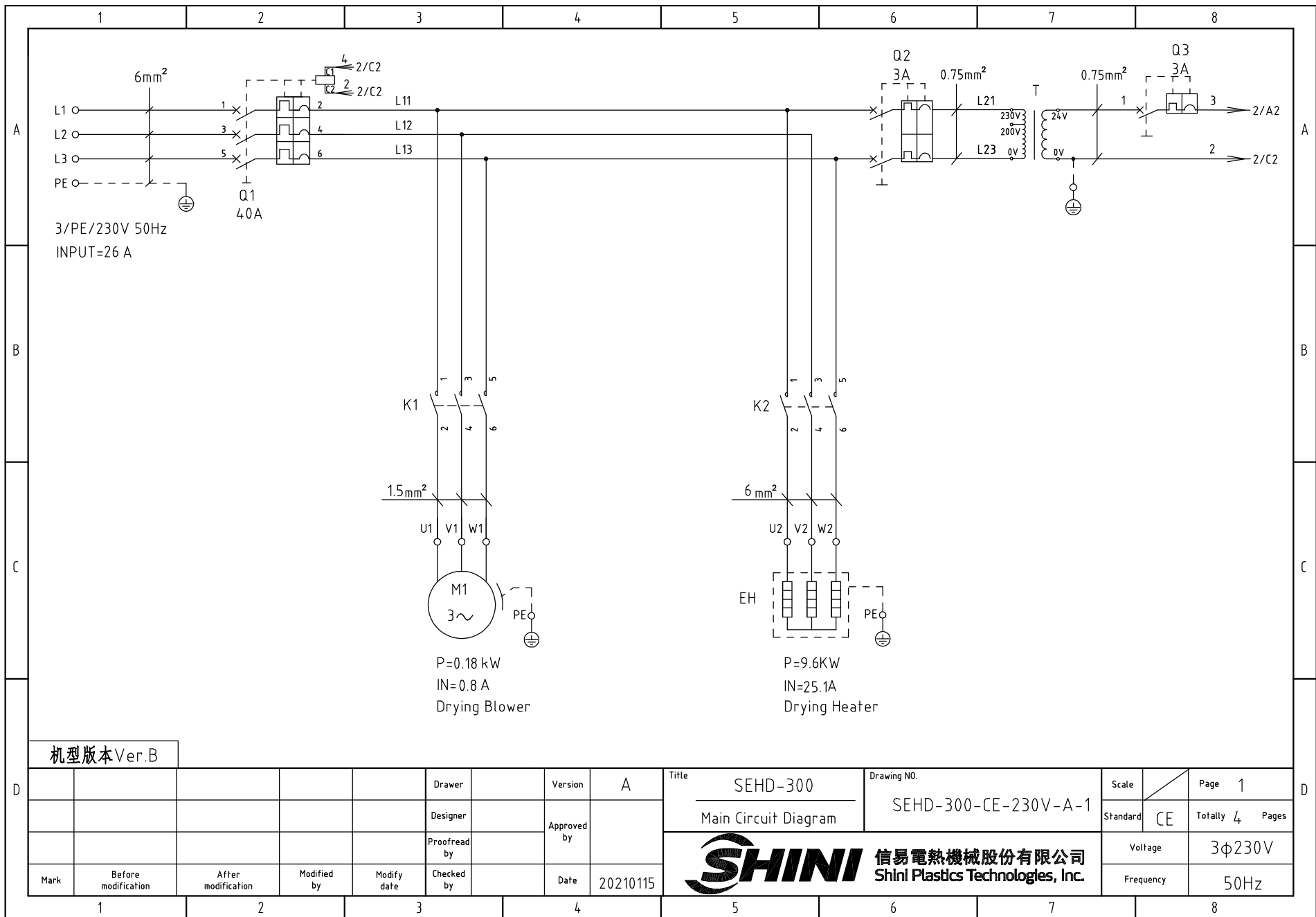
2. The drying blower and drying pipe heater are directly connected to the AC contactor output end.

机型版本 Ver.B


Mark				Before modification	After modification	Modified by	Modify date	Checked by	Date	20210115	Drawer	Version	A	Title	SEHD-200 Elec. Layout & Wiring Diagram	Drawing NO.	SEHD-200-CE-230V-A-3	Scale	Page	3	
											Designer	Approved by						Standard	CE	Totally	4 Pages
											Proofread by								Voltage	3φ230V	
																			Frequency	50Hz	



1	2	3	4	5	6	7	8				
NO.	Symbol	Name	Manufacturer	Type	Specification	Number	Material number	Remark			
	1	Q1	Circuit breaker	TECO	BM-63C/3032S	32A 3P	1	YE40303203000			
A	2		Excitation release	---	MX	24V 50/60Hz	1	YE40024000000			
	3	Q2	Circuit breaker	TECO	BM-63C/1003S	3A 2P	1	YE40200203000			
	4	Q3	Circuit breaker	TECO	BM-63C/1003S	3A 1P	1	YE40100203000			
	5	K1	Contactora	SIEMENS	3RT6015-1AB01	24V 7A 50/60Hz 1NO	1	YE00601502500			
	6	K2	Contactora	SIEMENS	3RT6027-1AC20	24V 32A 50/60Hz	1	YE00602702600			
	7	T	Transformer	JUUXIN	IN=230V/200V OUT=24V	80VA	1	YE70023005200			
	8	PCB	Dryer controller/PCB	PUNP	TS-02(24VAC)(with comm.)Pump	24V 50/60Hz	1	YE80022405200			
B	9	S1	温度保护器/Overheat protector	EGO	---	115-320 °C	1	BH90115000150	Cancel		
	10	S1	Overheat protector	---	--	180°C	1	---	Increase(1)		
	11	S2	Thermocouple	SHINI	KTYPE		1	---	(1)		
	12	S3	Comm. interface board RS-485(Dsub-9pin connector)	---	---	---	1	YE90048501200			
	13		Shell RS485(SAL-700G-A-19)ver. 0			---	1	YR40048500000			
	14	M1	Blower	---	---	0.18kW 230V 50HZ	1	---	(1)		
	15	EH1	Heater	SHINI	---	8.4kW 230V	1	---	(1)		
C	16	X1	Spring wiring terminal SK2.5(Honeywell)	Honeywell	SK2.5	2.5mm <sup>2</sup>	<del>2</del> 8	YE60002503200	Revised		
	17		Earth terminal SK2.5(Honeywell)	Honeywell	GK6PE	6mm <sup>2</sup> PE	1	YE60000603500			
	18		Terminal fittings E/GK series (Honeywell)	Honeywell	---	GK series	4	YE60000003900			
	19	H1	3-color alarm lamp	SHINI	Red. yel. green.+ buzzer	24V AC/DC	1	BL90002401520	Increase		
D	机型版本 Ver.B		Notes: (1)Materials in the control box;								
				Drawer	Version	A	Title	SEHD-200	SEHD-200-CE-230V-A-4	Scale	Page 4
				Designer	Approved by		Electrical parts List 1		Standard	CE	Totally 4 Pages
	Mark	Before modification	After modification	Modified by	Modify date	Checked by	Date	20210115	SHINI 信易電熱機械股份有限公司 Shini Plastics Technologies, Inc.		Voltage
										Frequency	50Hz



机型版本 Ver.B

D					Drawer		Version	A	Title SEHD-300 Main Circuit Diagram	Drawing NO. SEHD-300-CE-230V-A-1	Scale	Page 1
					Designer		Approved by				Standard	CE
					Proofread by		Date	20210115	 <b>信易電熱機械股份有限公司</b> <b>Shini Plastics Technologies, Inc.</b>		Voltage	3φ230V
	Mark	Before modification	After modification	Modified by	Modify date	Checked by					Frequency	50Hz

1

2

3

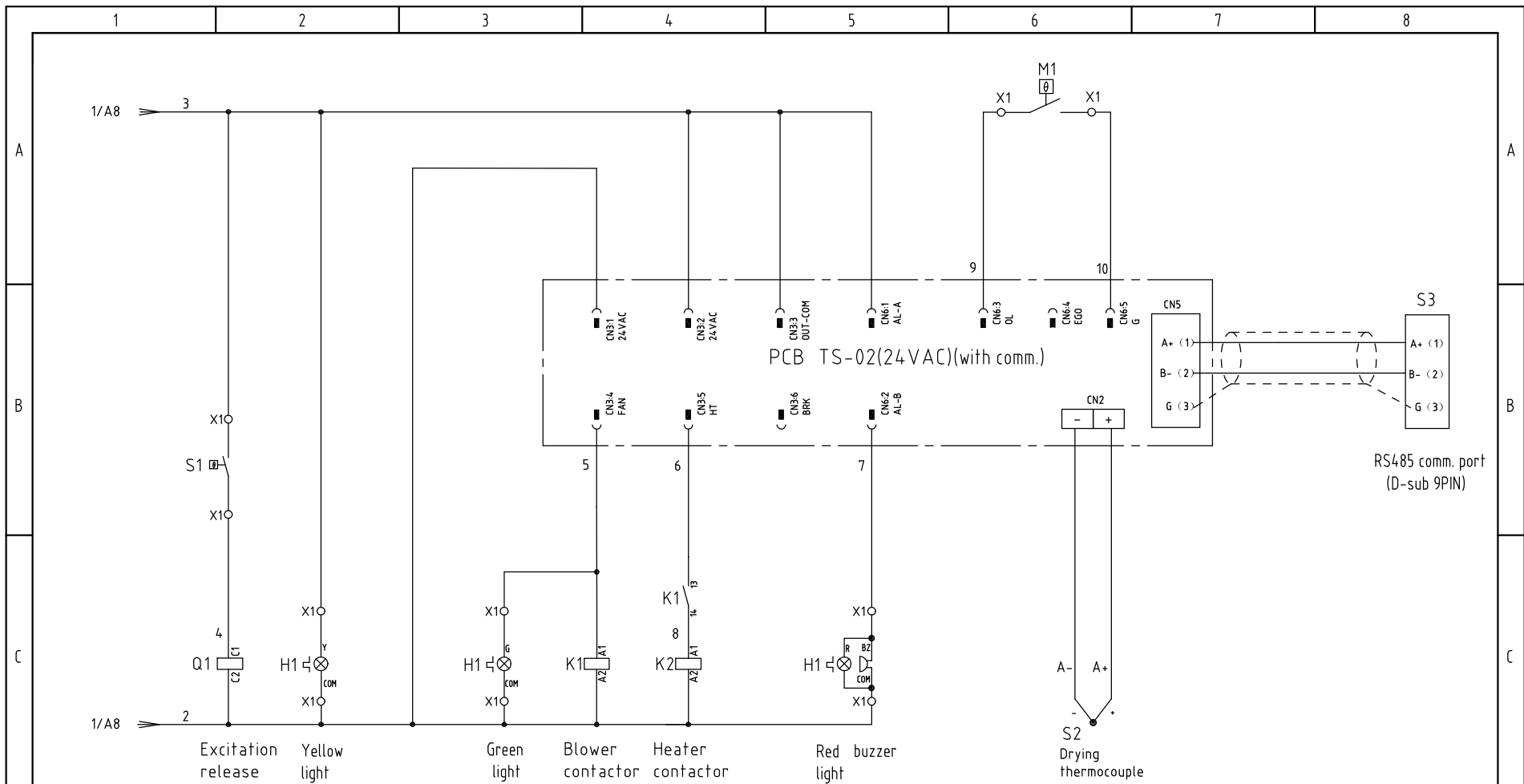
4

5

6


7

8

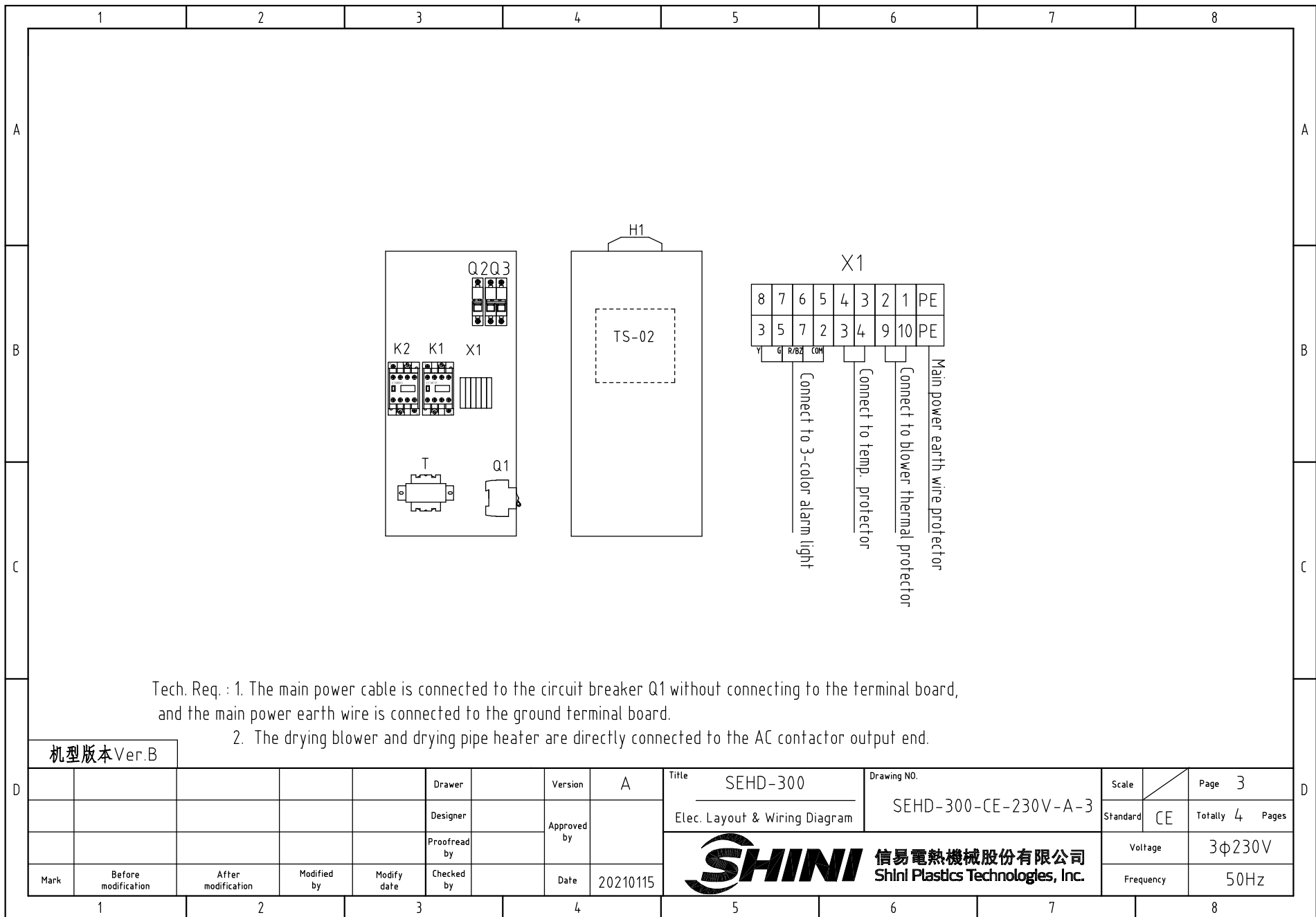


机型版本 Ver.B

Note: M1 is the overheat protector of the drying blower.

D	Drawer	Version	A	Title	SEHD-300	Drawing NO.	SEHD-300-CE-230V-A-2	Scale	Page 2
	Designer	Approved by		Electrical Diagram		Standard	CE	Totally 4	Pages
D	Proofread by	Date	20210115	 <b>信易電熱機械股份有限公司</b> Shini Plastics Technologies, Inc.				Voltage	3φ230V
	Mark	Before modification	After modification					Modified by	Modify date


1 2 3 4 5 6 7 8



Tech. Req. : 1. The main power cable is connected to the circuit breaker Q1 without connecting to the terminal board, and the main power earth wire is connected to the ground terminal board.

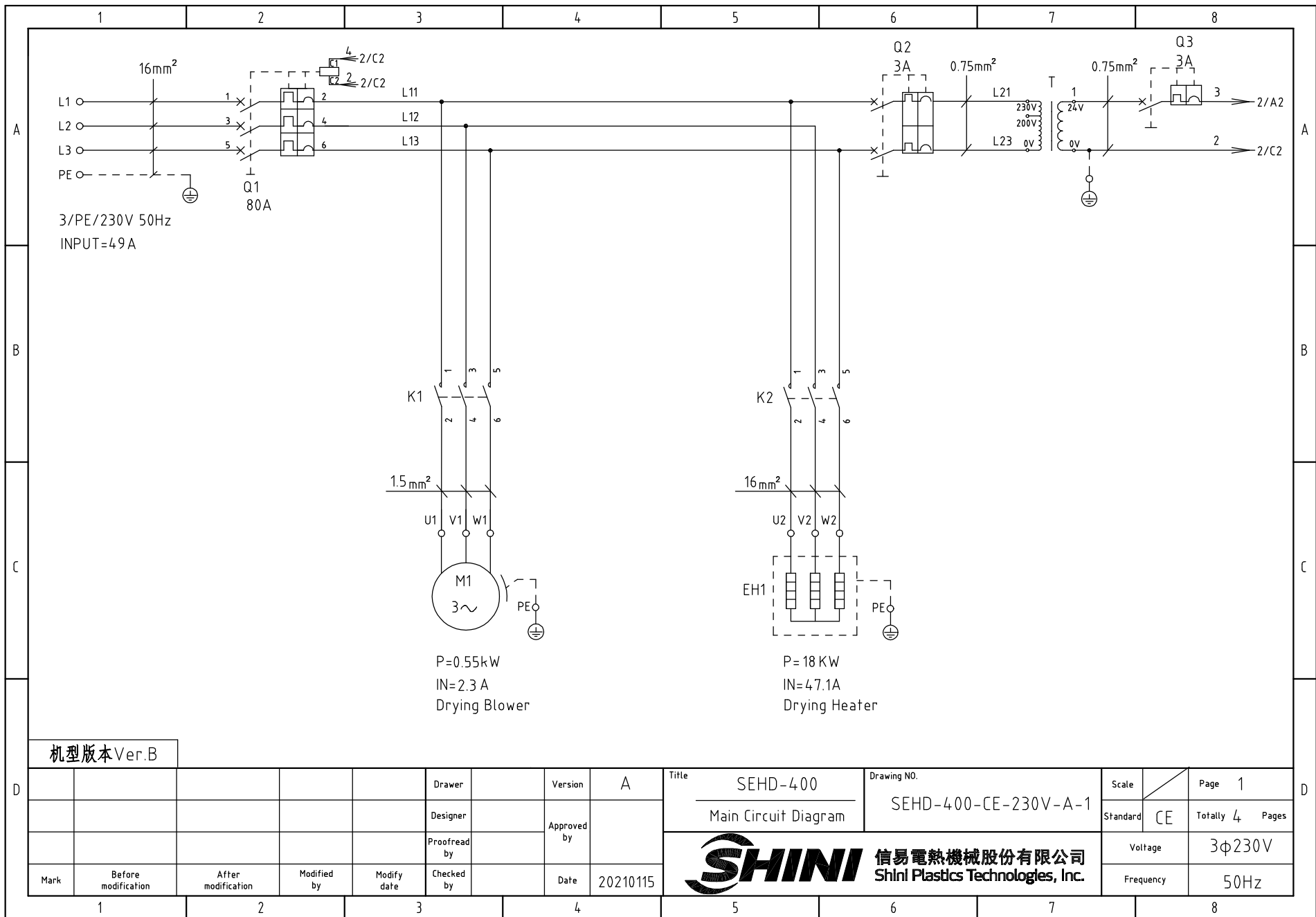
2. The drying blower and drying pipe heater are directly connected to the AC contactor output end.

机型版本 Ver.B


Mark				Before modification	After modification	Modified by	Modify date	Checked by	Date	20210115	Drawer	Version	A	Title	SEHD-300	Drawing NO.	SEHD-300-CE-230V-A-3	Scale	Page	3	
											Designer	Approved by		Elec. Layout & Wiring Diagram			Standard	CE	Totally	4	Pages
											Proofread by			 <b>信易電熱機械股份有限公司</b> <b>Shini Plastics Technologies, Inc.</b>		Voltage		3φ230V			
													Frequency			50Hz					

1		2		3		4		5		6		7		8		
NO.	Symbol	Name		Manufacturer		Type		Specification		Number	Material number		Remark			
A	1	Q1	Circuit breaker		TECO		BM-63C/3040S		40A 3P		1	YE40304003000				
	2		Excitation release		---		MX		24V 50/60Hz		1	YE40024000000				
	3	Q2	Circuit breaker		TECO		BM-63C/2003S		3A 2P		1	YE40200203000				
	4	Q3	Circuit breaker		TECO		BM-63C/1003S		3A 1P		1	YE40100203000				
	5	K1	Contactor		SIEMENS		3RT6015-1AB01		24V 7A 50/60Hz 1NO		1	YE00601502500				
	6	K2	Contactor		SIEMENS		3RT6027-1AC20		24V 32A 50/60Hz		1	YE00602702600				
	7	T	Transformer		JIUXIN		IN=230V/200V OUT=24V		180VA		1	YE70023005400				
B	8	PCB	Dryer controller/PCB		PUNP		TS-02P(24 VAC)(with comm.)Pump		24V 50/60Hz		1	YE80022405200				
	9	S1	温度保护器/Overheat protector		EGO		---		115-320 °C		1	BH90115000150		Cancel		
	10	S1	Overheat protector		---		---		180°C		1	---		Increase(1)		
	11	S2	Thermocouple		SHINI		KTYPE				1	---		(1)		
	12	S3	Comm. interface board RS-485(Dsub-9pin connector)		---		---		---		1	YE90048501200				
	13		Shell RS485(SAL-700G-A-19)ver. 0		---		---		---		1	YR40048500000				
	14	M1	Blower		---		---		0.18kW 230V 50HZ		1	---		(1)		
C	15	EH1	Heater		SHINI		---		9.6kW 230V		1	---		(1)		
	16	X1	Spring wiring terminal SK2.5(Honeywell)		Honeywell		SK2.5		2.5mm <sup>2</sup>		-2	8 YE60002503200		Revised		
	17		Earth terminal GK6(Honeywell)		Honeywell		GK6PE		6mm <sup>2</sup> PE		1	YE60000603500				
	18		Terminal fittings E/GK series (Honeywell)		Honeywell		---		Increase		4	YE60000003900				
	19	H1	3-color alarm lamp		SHINI		Red. yel. green.+ buzzer		24V AC/DC		1	BL90002401520		Increase		
D	机型版本 Ver.B		Notes: (1)Materials in the control box;													
					Drawer		Version	A	Title	SEHD-300	Drawing NO.		Scale		Page	4
					Designer		Approved by		Electrical parts List 1	SEHD-300-CE-230V-A-4		Standard	CE	Totally	4	Pages
	Mark	Before modification	After modification	Modified by	Modify date	Checked by		Date	20210115	 信易電熱機械股份有限公司 Shini Plastics Technologies, Inc.		Voltage	3φ230V			
												Frequency	50Hz			
1		2		3		4		5		6		7		8		





机型版本 Ver.B

D	Drawer	Version	A	Title	SEHD-400	Drawing NO.	SEHD-400-CE-230V-A-1	Scale	Page 1
	Designer	Approved by		Main Circuit Diagram		Standard	CE	Totally 4	Pages
	Proofread by	Date	20210115	 <b>信易電熱機械股份有限公司</b> <b>Shini Plastics Technologies, Inc.</b>		Voltage	3φ230V		
	Mark	Before modification	After modification			Modified by	Modify date	Checked by	Frequency

1

2

3

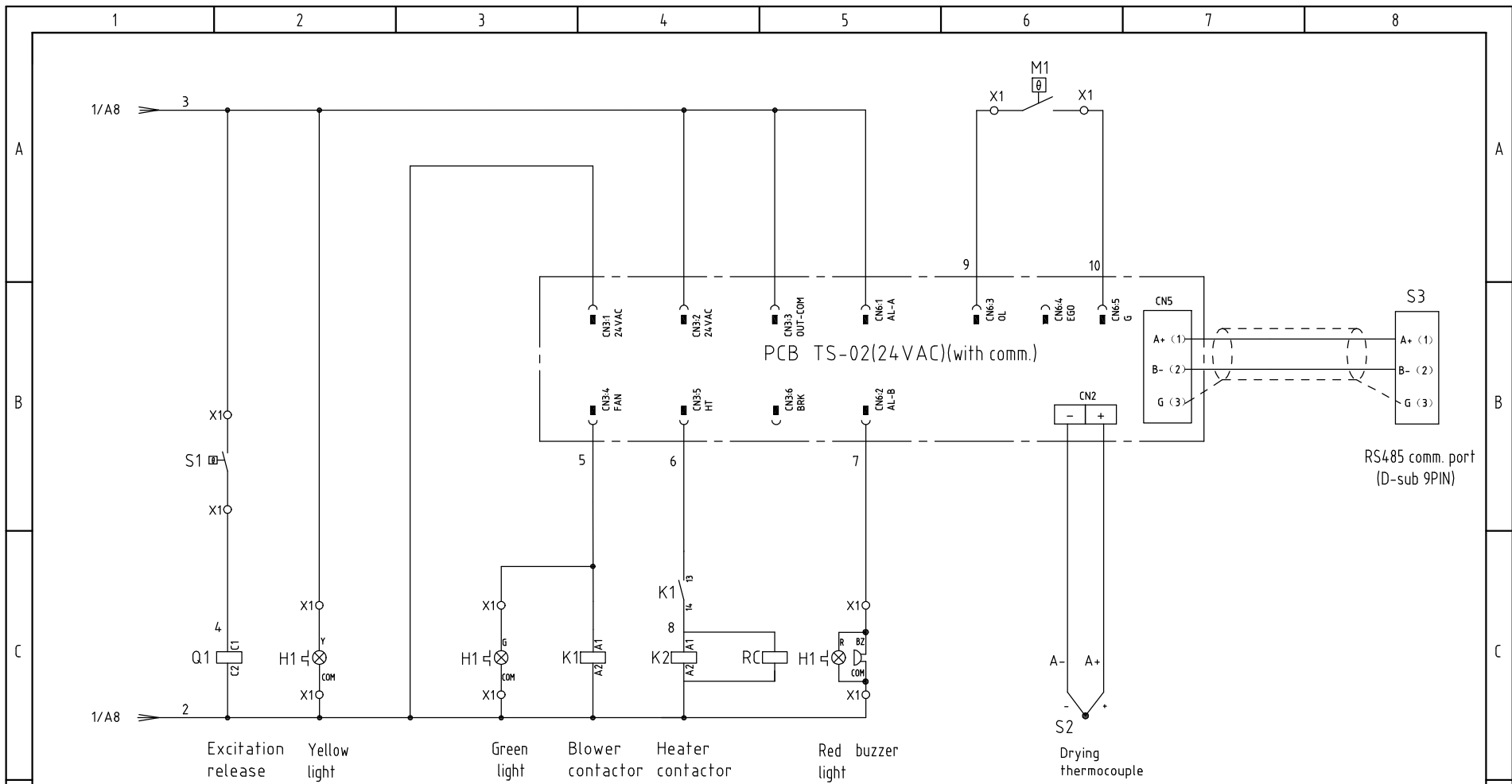
4

5

6


7

8

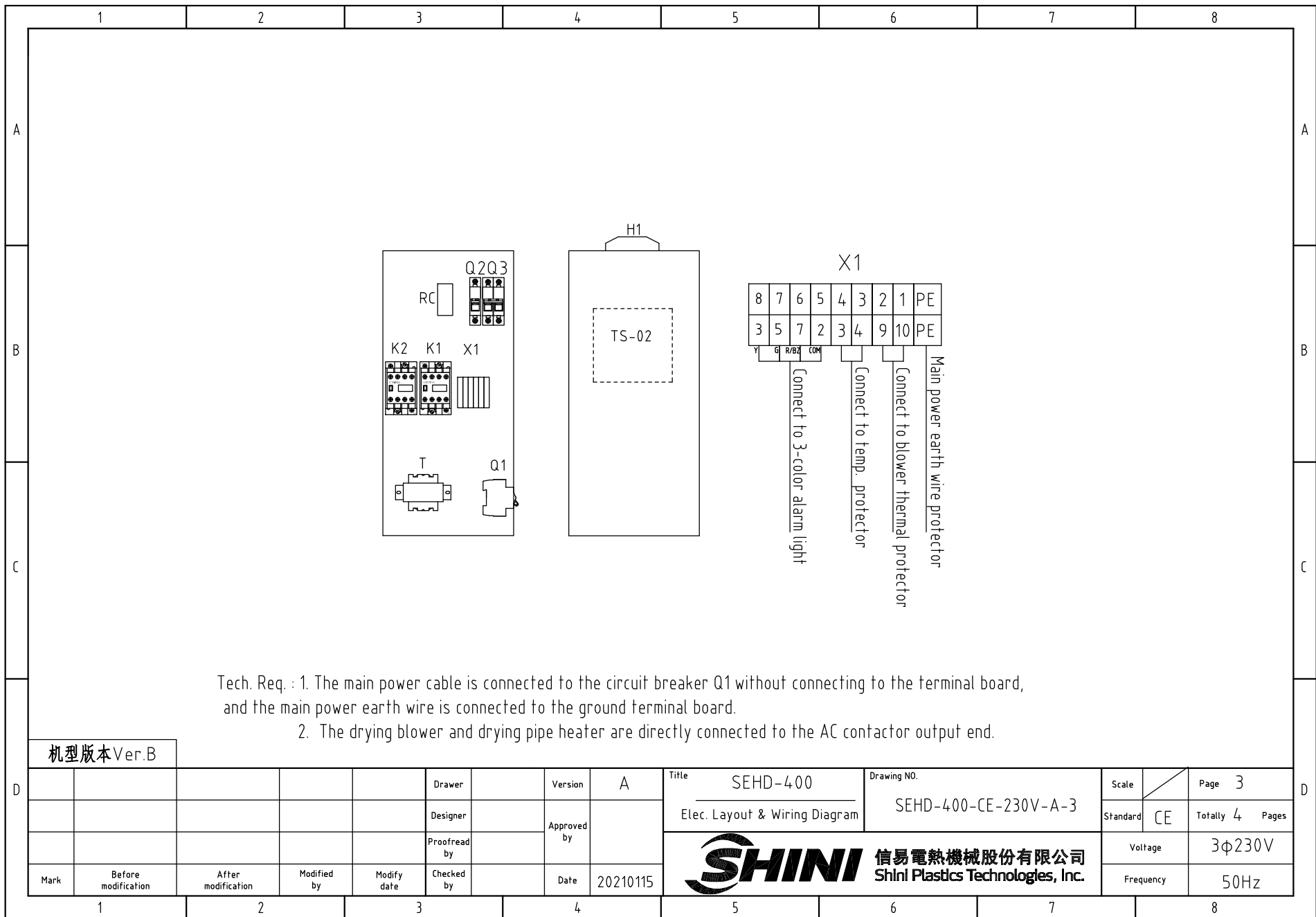


机型版本 Ver.B

Note: M1 is the overheat protector of the drying blower.


D	Drawer	Version	A	Title	SEHD-400	Drawing NO.	SEHD-400-CE-230V-A-2	Scale	Page 2
	Designer	Approved by		Electrical Diagram		Standard	CE	Totally 4 Pages	
D	Proofread by	Date	20210115	 <b>信易電熱機械股份有限公司</b> <b>Shini Plastics Technologies, Inc.</b>				Voltage	3φ230V
	Mark	Before modification	After modification					Modified by	Modify date

1 2 3 4 5 6 7 8

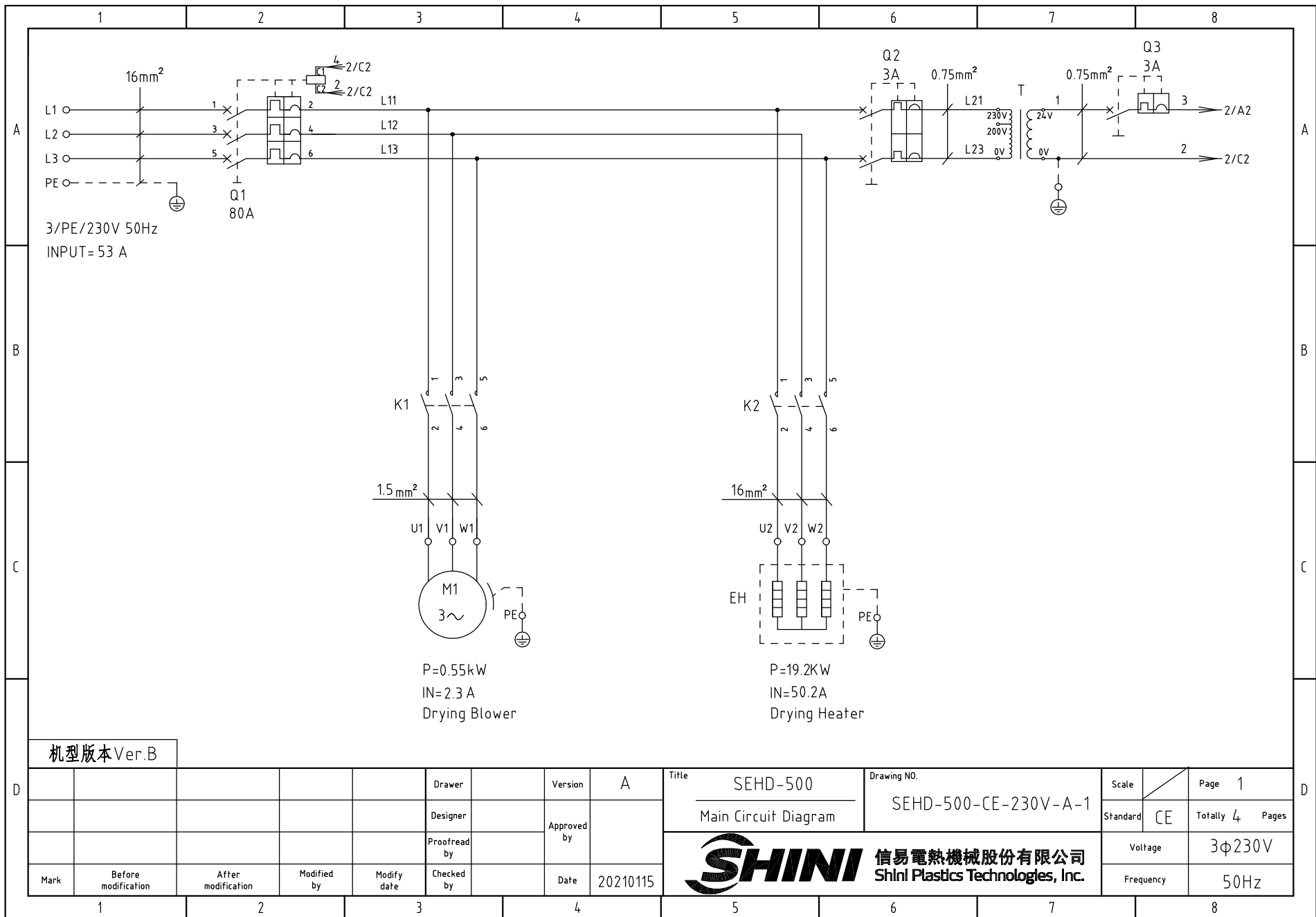


Tech. Req. : 1. The main power cable is connected to the circuit breaker Q1 without connecting to the terminal board, and the main power earth wire is connected to the ground terminal board.


2. The drying blower and drying pipe heater are directly connected to the AC contactor output end.

机型版本 Ver.B				Drawer	Version	A	Title	SEHD-400	Drawing NO.	Scale	Page	3
Mark	Before modification	After modification	Modified by	Designer	Approved by		Elec. Layout & Wiring Diagram	SEHD-400-CE-230V-A-3	Standard	CE	Totally	4 Pages
			Modify date	Proofread by	Checked by	Date	20210115	 <b>信易電熱機械股份有限公司</b> <b>Shini Plastics Technologies, Inc.</b>		Voltage	3φ230V	
							Frequency			50Hz		

1	2		3	4	5	6	7	8		
NO.	Symbol	Name	Manufacturer	Type	Specification	Number	Material number	Remark		
A	1	Q1	Circuit breaker	TECO	BM-100D/3080S	80A 3P	1	YE40308003000	A	
	2		Excitation release	---	MX	24V 50/60Hz	1	YE40024000000		
	3	Q2	Circuit breaker	TECO	BM-63C/2003S	3A 2P	1	YE40200203000		
	4	Q3	Circuit breaker	TECO	BM-63C/1003S	3A 1P	1	YE40100203000		
	5	K1	Contactora	SIEMENS	3RT6015-1AB01	24V 7A 50/60Hz 1NO	1	YE00601502500		
	6	K2	Contactora	SIEMENS	3RT5044-1AC20	24V 65A 50/60Hz	1	YE00504402600		
	7	T	Transformer	JIUXIN	IN=230V/200V OUT=24V	180VA	1	YE70023005400		
B	8	PCB	Dryer controller/PCB	PUNP	TS-02P(24VAC)(with comm.)Pump	24V 50/60Hz	1	YE80022405200	B	
	9	S1	<del>温度保护器/Overheat protector</del>	EGO	---	115-320 °C	1	BH90115000150		Cancel
	10	S1	Overheat protector	---	---	180°C	1	---		Increase(1)
	11	S2	Thermocouple	SHINI	KTYPE		1	---		(1)
	12	S3	Comm. interface board RS-485(Dsub-9pin connector)	---	---	---	1	YE90048501200		
	13		Shell RS485(SAL-700G-A-19)ver. 0	---	---	---	1	YR40048500000		
	14	M1	Blower	---	---	0.55kW 230V 50HZ	1	---		(1)
15	EH	Heater	SHINI	---	18kW 230V	1	---	(1)		
C	16	X1	Spring wiring terminal SK2.5(Honeywell)	Honeywell	SK2.5	2.5mm <sup>2</sup>	<del>2</del> 8	YE60002503200	Revised	
	17		Earth terminal GK6(Honeywell)	Honeywell	GK16	16mm <sup>2</sup> PE	1	YE60001603200		
	18	RC	Resistance capacitance absorber	YUYUN	SA-RCS2	PCS	1	YE90000200000		
	19		Terminal fittings E/GK series (Honeywell)	Honeywell	---	GK series	4	YE60000003900	Increase	
	20	H1	3-color alarm lamp	SHINI	Red. yel. green.+ buzzer	24V AC/DC	1	BL90002401520		
机型版本 Ver.B Notes: (1)Materials in the control box;										
D	Before modification		After modification	Modified by	Modify date	Checked by	Date	20210115		
	1	2	3	4	5	6	7	8		
	Drawer			Version	A	Title	SEHD-400		Drawing NO.	Scale
	Designer			Approved by	Electrical parts List 1		SEHD-400-CE-230V-A-4		Standard	Page 4
Proofread by							CE	Totally 4	Pages	
							Voltage	3φ230V		
							Frequency	50Hz		
SHINI			信易電熱機械股份有限公司 Shini Plastics Technologies, Inc.							



机型版本 Ver.B

D					Drawer		Version	A	Title	SEHD-500	Drawing NO.	Scale	Page	1
					Designer		Approved by		Main Circuit Diagram	SEHD-500-CE-230V-A-1	Standard	CE	Totally	4 Pages
					Proofread by		Date	20210115	 <b>信易電熱機械股份有限公司</b> <b>Shini Plastics Technologies, Inc.</b>	Voltage	3φ230V			
	Mark	Before modification	After modification	Modified by	Modify date	Checked by				Frequency	50Hz			

1

2

3

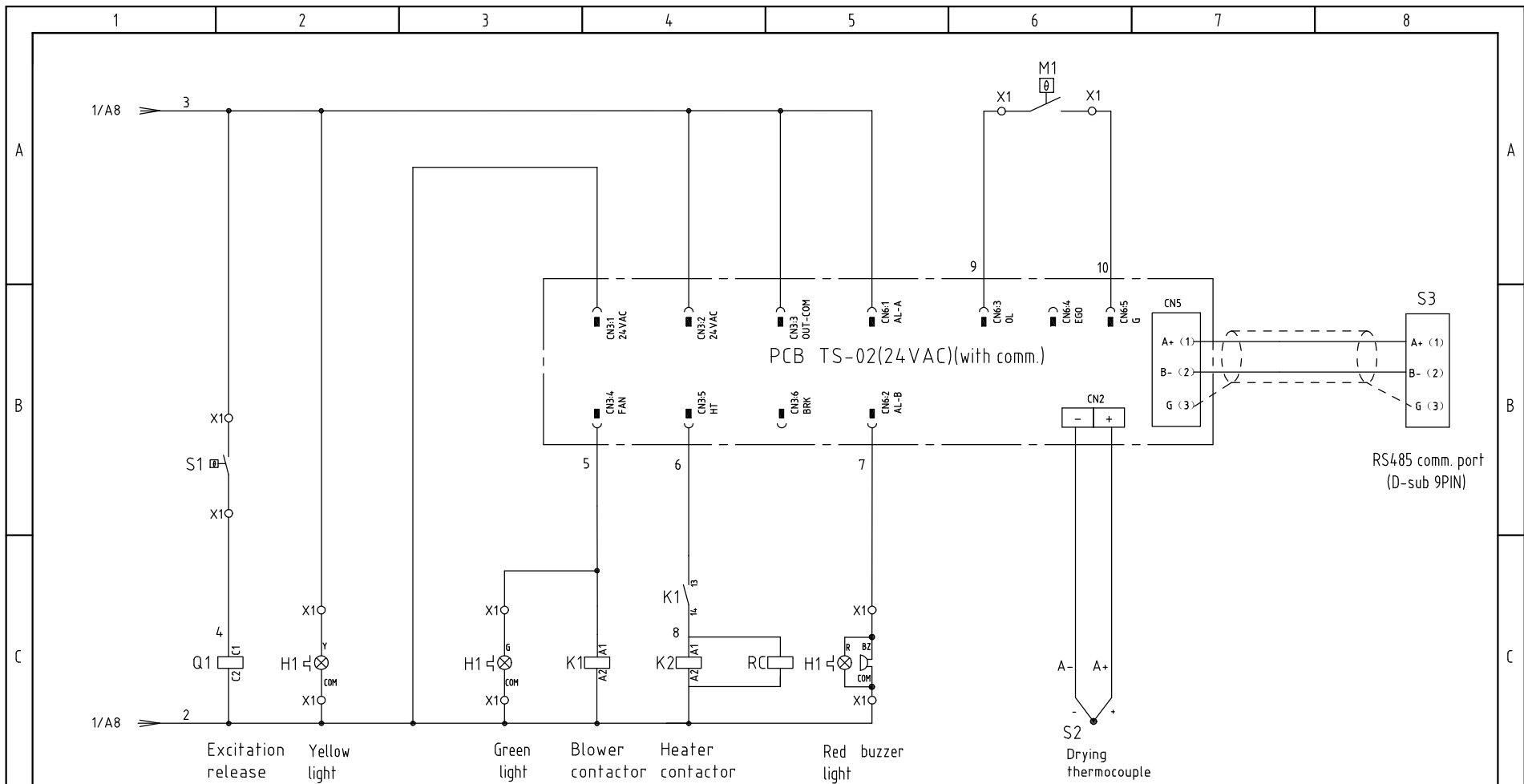
4

5

6


7

8

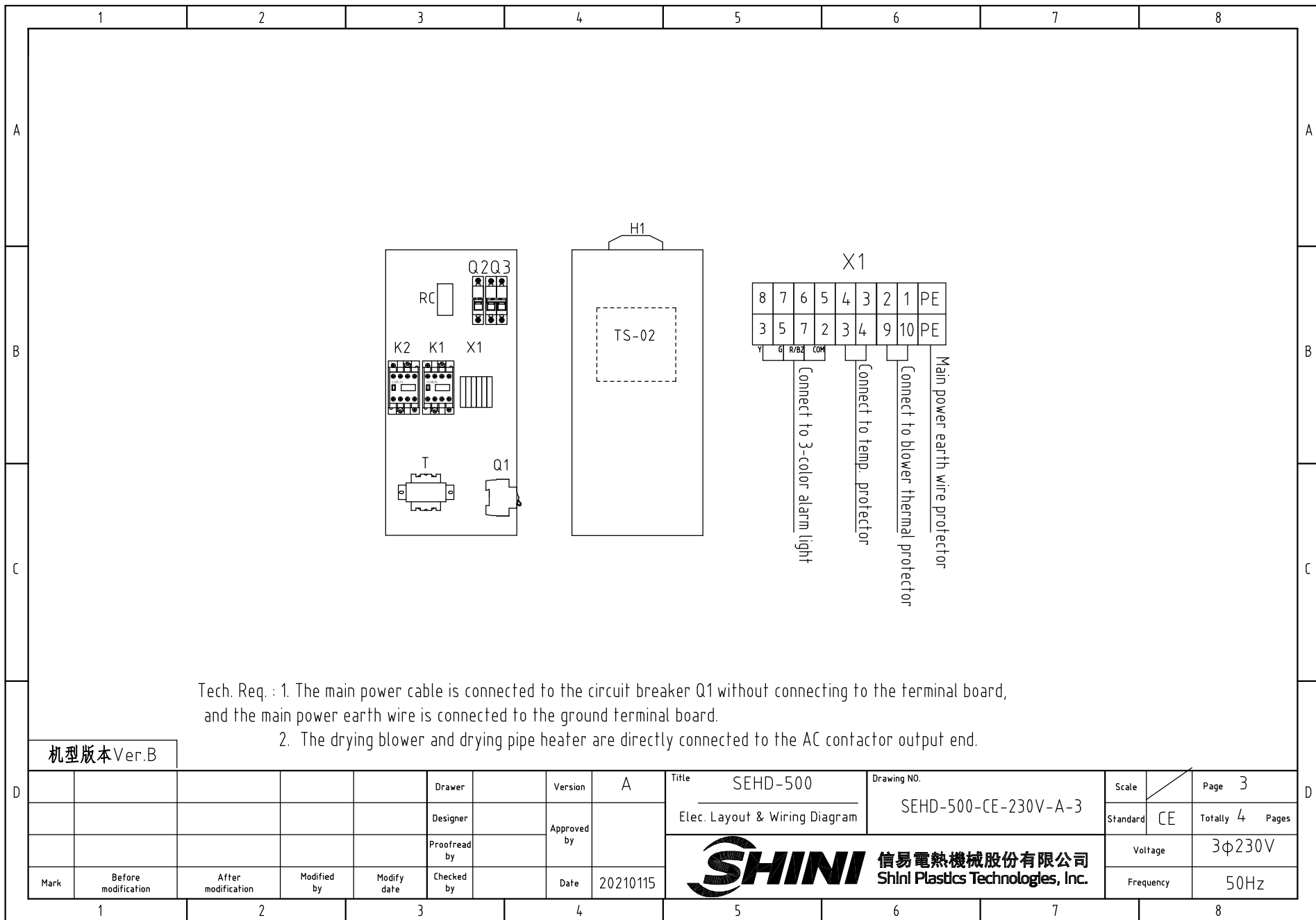


机型版本 Ver.B


Note: M1 is the overheat protector of the drying blower.

D	Drawer	Version	A	Title	SEHD-500	Drawing NO.	SEHD-500-CE-230V-A-2	Scale	Page 2
	Designer	Approved by		Electrical Diagram		Standard	CE	Totally 4	Pages
D	Proofread by	Date	20210115	 <b>信易電熱機械股份有限公司</b> <b>Shini Plastics Technologies, Inc.</b>				Voltage	3φ230V
	Mark	Before modification	After modification					Modified by	Modify date

1 2 3 4 5 6 7 8

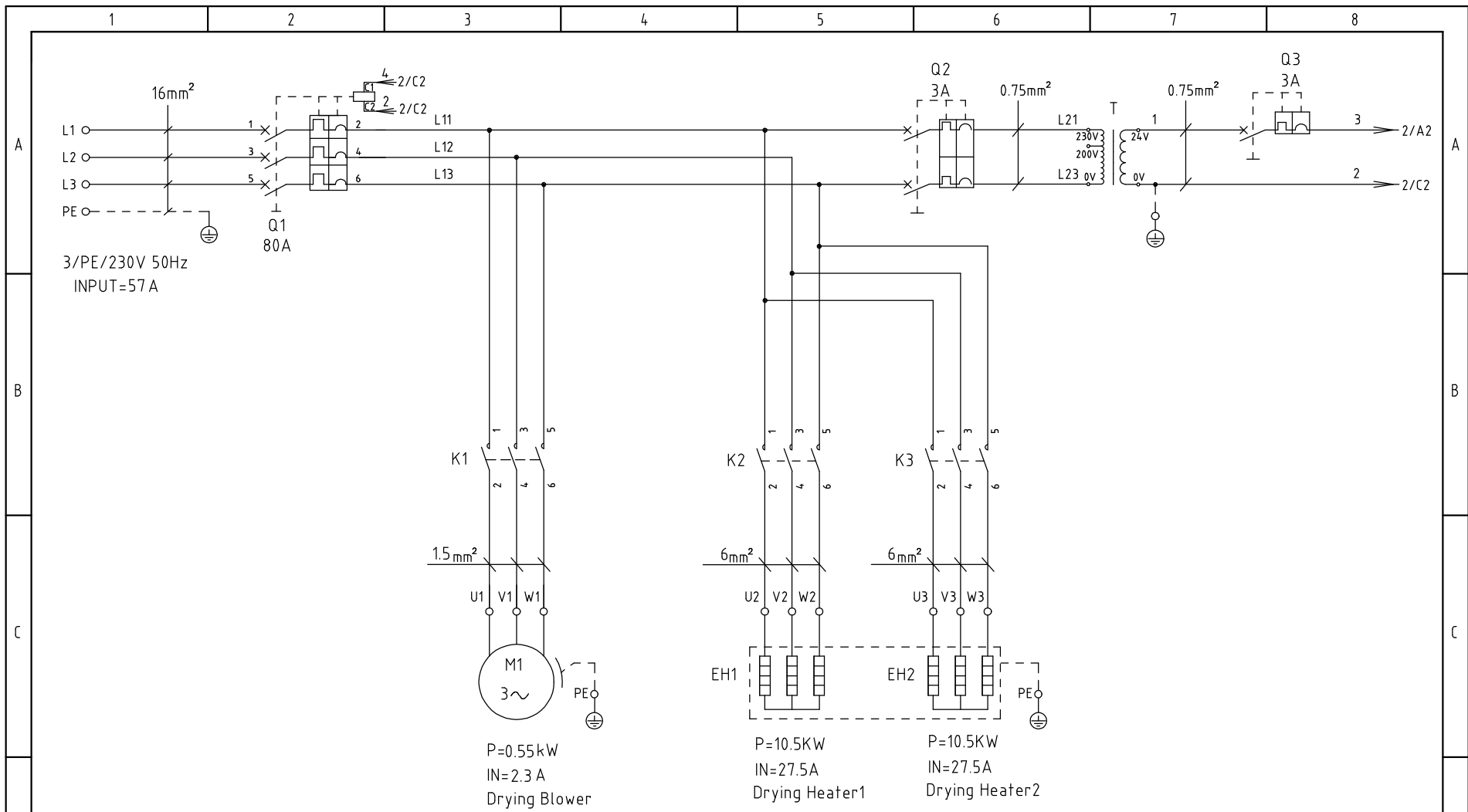



Tech. Req. : 1. The main power cable is connected to the circuit breaker Q1 without connecting to the terminal board, and the main power earth wire is connected to the ground terminal board.  
 2. The drying blower and drying pipe heater are directly connected to the AC contactor output end.

机型版本 Ver.B				Drawer	Version	A	Title	SEHD-500	Drawing NO.	SEHD-500-CE-230V-A-3	Scale	Page	3
				Designer	Approved by		Elec. Layout & Wiring Diagram				Standard	CE	Totally 4 Pages
				Proofread by	Date	20210115	 <b>信易電熱機械股份有限公司</b> <b>Shini Plastics Technologies, Inc.</b>		Voltage		3φ230V		
Mark	Before modification	After modification	Modified by	Modify date	Checked by				Frequency		50Hz		
1	2	3	4	5	6	7	8						

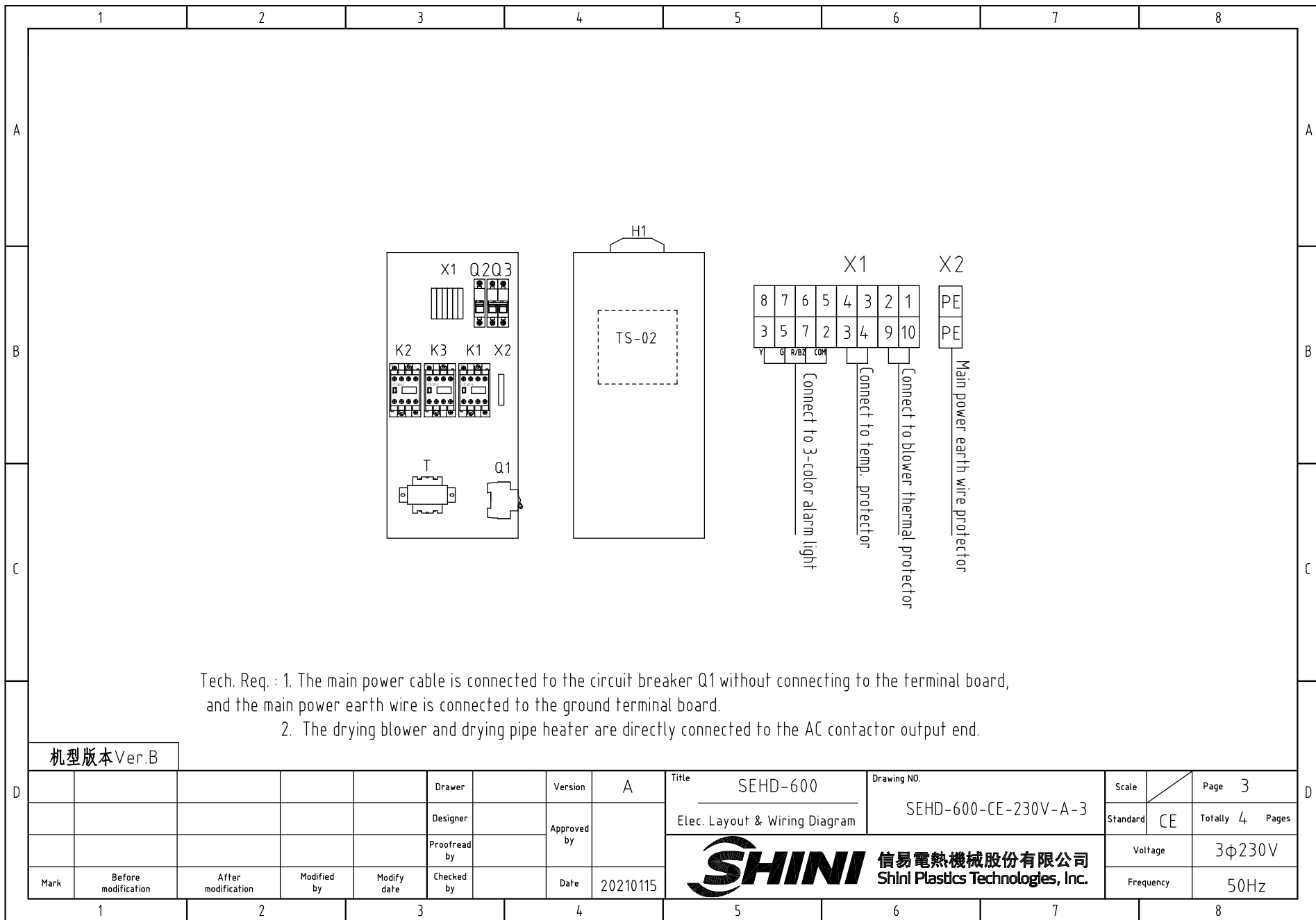
1		2		3		4		5		6		7		8			
NO.	Symbol	Name		Manufacturer		Type		Specification		Number	Material number		Remark				
A	1	Q1	Circuit-breaker		TECO		BM-100D/3080S		80A 3P		1	YE40308003000					
	2		Excitation release		---		MX		24V 50/60Hz		1	YE40024000000					
	3	Q2	Circuit-breaker		TECO		BM-63C/2003S		3A 2P		1	YE40200203000					
	4	Q3	Circuit-breaker		TECO		BM-63C/1003S		3A 1P		1	YE40100203000					
	5	K1	Contactor		SIEMENS		3RT6015-1AB01		24V 7A 50/60Hz 1NO		1	YE00601502500					
	6	K2	Contactor		SIEMENS		3RT5044-1AC20		24V 65A 50/60Hz		1	YE00504402600					
	7	T	Transformer		JIUXIN		IN=230V/200V OUT=24V		180VA		1	YE70023005400					
B	8	PCB	Dryer controller/PCB		PUNP		TS-02P(24VAC)(with comm.)Pump		24V 50/60Hz		1	YE80022405200					
	9	S1	温度保护器/Overheat protector		EG0		---		115-320 °C		1	BH90115000150		Cancel			
	10	S1	Overheat protector		---		---		180°C			---		Increase(1)			
	11	S2	Thermocouple		SHINI		KTYPE		---		1	---		(1)			
	12	S3	Comm. interface board RS-485(Dsub-9pin connector)		---		---		---		1	YE90048501200					
	13		Shell RS485(SAL-700G-A-19)ver. 0		---		---		---		1	YR40048500000					
	14	M1	Blower		---		---		0.55kW 230V 50HZ		1	---		(1)			
C	15	EH1	Heater		SHINI		---		19.2kW 230V		1	---		(1)			
	16	X1	Spring wiring terminal SK2.5(Honeywell)		Honeywell		SK2.5		2.5mm <sup>2</sup>		2	8 YE60002503200		Revised			
	17		Earth terminal GK6(Honeywell)		Honeywell		GK16		16mm <sup>2</sup> PE		1	YE60001603200					
	18	RC	Resistance capacitance absorber		YUYUN		SA-RCS2		PCS		1	YE90000200000					
	19		Terminal fittings E/GK series (Honeywell)		Honeywell		--		GK series		4	YE60000003900					
	20	H1	3-color alarm lamp		SHINI		Red. yel. green.+ buzzer		24V AC/DC		1	BL90002401520		Increase			
D	机型版本 Ver.B		Notes: (1)Materials in the control box;														
					Drawer		Version	A	Title	SEHD-500		Drawing NO.	Scale	Page	4		
					Designer		Approved by		Electrical parts List 1		SEHD-500-CE-230V-A-4		Standard	CE	Totally	4	Pages
					Proofread by		Date	20210115	 <b>信易電熱機械股份有限公司</b> <b>Shini Plastics Technologies, Inc.</b>		Voltage		3φ230V				
Mark	Before modification	After modification	Modified by	Modify date	Checked by			Frequency			50Hz						






机型版本 Ver.B				Drawer	Version	A	Title	SEHD-600	Drawing NO.	Scale	Page	1
				Designer	Approved by		Main Circuit Diagram	SEHD-600-CE-230V-A-1	Standard	CE	Totally	4 Pages
				Proofread by	Checked by		 <b>信易電熱機械股份有限公司</b> <b>Shini Plastics Technologies, Inc.</b>	Voltage	3φ230V			
Mark	Before modification	After modification	Modified by	Modify date	Date	20210115		Frequency	50Hz			
1	2	3	4	5	6	7	8					



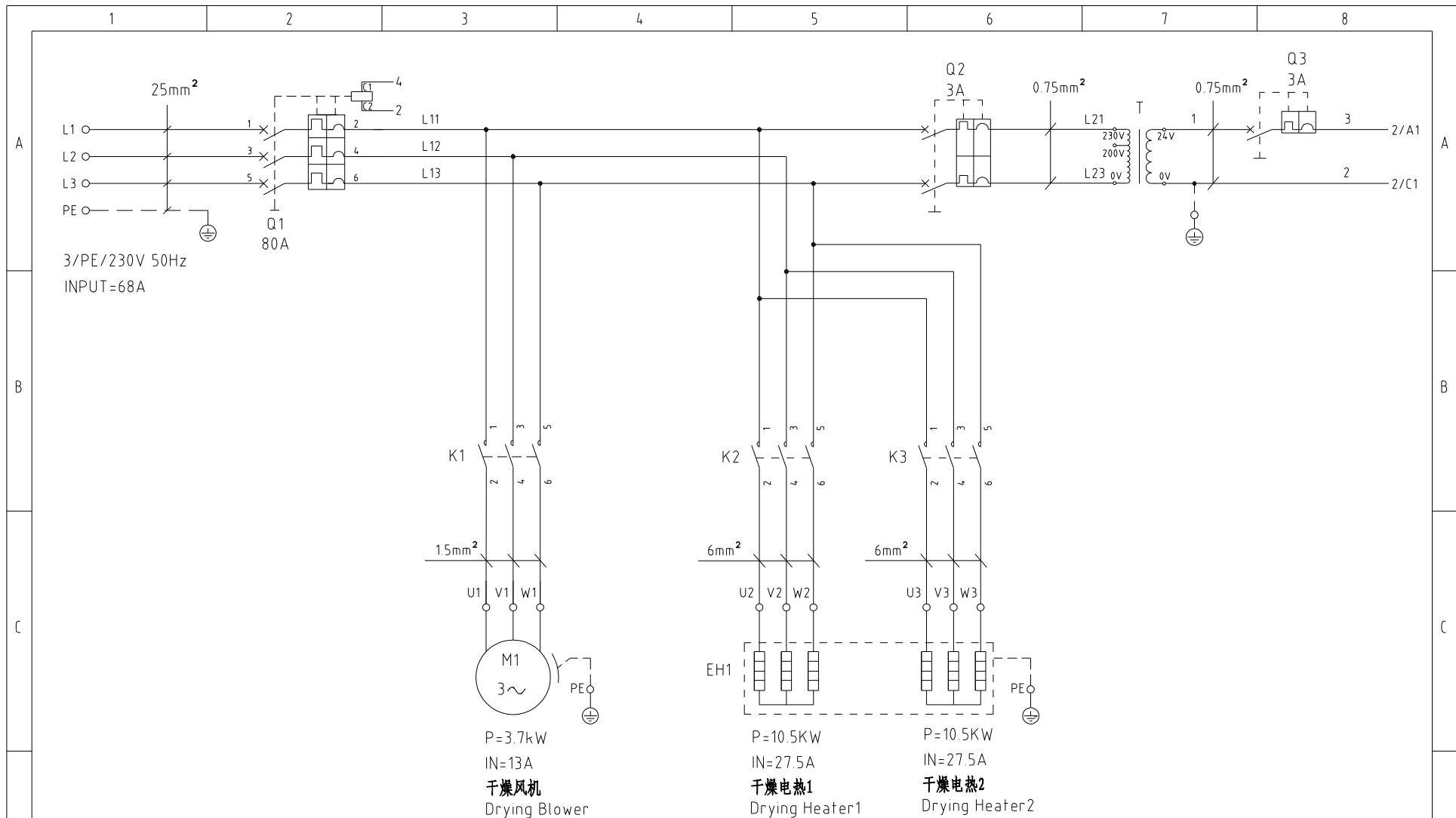


Tech. Req. : 1. The main power cable is connected to the circuit breaker Q1 without connecting to the terminal board, and the main power earth wire is connected to the ground terminal board.  
 2. The drying blower and drying pipe heater are directly connected to the AC contactor output end.

机型版本 Ver.B

D	Mark				Drawer	Version	A	Title	SEHD-600	Drawing NO.	Scale	Page	3
	Before modification				Designer	Approved by		Elec. Layout & Wiring Diagram	SEHD-600-CE-230V-A-3	Standard	CE	Totally	4 Pages
	After modification				Proofread by	Checked by		 <b>信易電熱機械股份有限公司</b> <b>Shini Plastics Technologies, Inc.</b>	Voltage	3φ230V			
	Modify by				Modify date	Date	20210115		Frequency	50Hz			

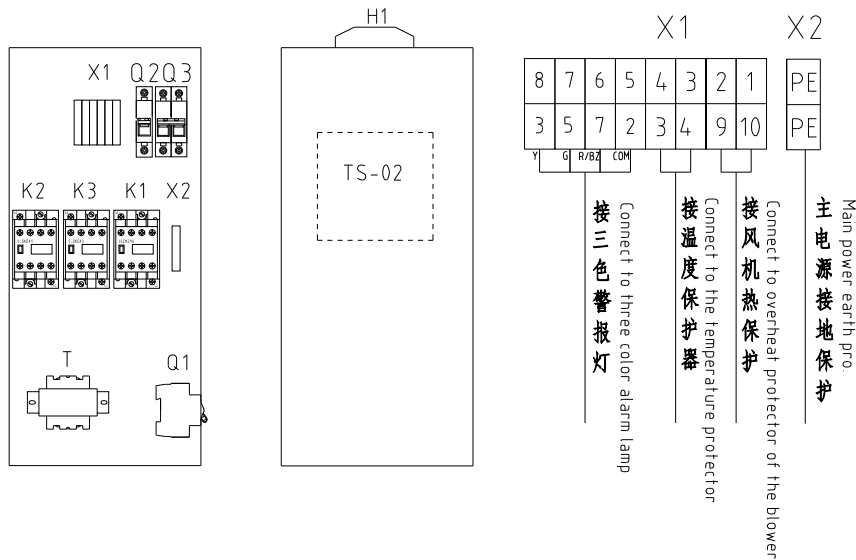
1		2		3		4		5		6		7		8	
NO.	Symbol	Name		Manufacturer		Type		Specification		Number	Material number		Remark		
	1	Q1	Circuit breaker		TECO		BM-100D/3080S		80A 3P		1	YE40308003000			
A	2		Excitation release		---		MX		24V 50/60Hz		1	YE40024000000			
	3	Q2	Circuit-breaker		TECO		BM-63C/2003S		3A 2P		1	YE40200203000			
	4	Q3	Circuit-breaker		TECO		BM-63C/1003S		3A 1P		1	YE40100203000			
	5	K1	Contactor		SIEMENS		3RT6015-1AB01		24V 7A 50/60Hz 1NO		1	YE00601502500			
	6	K2 K3	Contactor		SIEMENS		3RT6028-1AC20-24VAC		24V 38A 50/60Hz		2	YE00602802600			
	7	T	Transformer		JIUXIN		IN=230V/200V OUT=24V		180VA		1	YE70023005400			
	8	PCB	Dryer controller/PCB		PUNP		TS-02P(24VAC)(with comm.)Pump		24V 50/60Hz		1	YE80022405200			
B	9	S1	温度保护器/Overheat protector		EGO		---		115-320 °C		1	BH90115000150		Cancel	
	10	S1	Overheat protector		---		---		180°C			---		Increase(1)	
	11	S2	Thermocouple		SHINI		KTYPE				1	---		(1)	
	12	S3	Comm. interface board RS-485(Dsub-9pin connector)		---		---		---		1	YE90048501200			
	13		Shell RS485(SAL-700G-A-19)ver. 0		---		---		---		1	YR40048500000			
	14	M1	Blower		---		---		0.55kW 230V 50HZ		1	---		(1)	
	15	EH1	Heater		SHINI		--		21kW 230V		1	---		(1)	
C	16	X1	Spring wiring terminal SK2.5(Honeywell)		Honeywell		SK2.5		2.5mm <sup>2</sup>		2-8	YE60002503200		Revised	
	17	X2	Terminal fittings 16GK (Honeywell)		Honeywell		GK16		16mm <sup>2</sup> PE		1	YE60001603200			
	18		Terminal fittings E/GK series (Honeywell)		Honeywell		--		GK series		4	YE60000003900			
	19	H1	3-color alarm lamp		SHINI		Red. yel. green.+ buzzer		24V AC/DC		1	BL90002401520		Increase	
D	机型版本 Ver.B		Notes: (1)Materials in the control box;												
					Drawer		Version	A	Title	SEHD-600	Drawing NO.	SEHD-600-CE-230V-A-4	Scale	Page 4	
					Designer		Approved by		Electrical parts List 1		Standard	CE	Totally 4	Pages	
					Proofread by		Date	20210115	 信易電熱機械股份有限公司 Shini Plastics Technologies, Inc.		Voltage	3φ230V			
Mark	Before modification	After modification	Modified by	Modify date	Checked by					Frequency	50Hz				



机型版本 Ver.D

					制图	版号	B	标题	SEHD-800	图号	SEHD-800-CE-230V-B-1	比例	第 1 张
					设计	核		主电路图		标准	CE	共 5 张	
					校对	准		 <b>信易電熱機械股份有限公司</b> <b>Shini Plastics Technologies, Inc.</b>	机器电压	3φ230V			
标记	更改前	更改后	更改人	日期	审核	日期	20231110		机器频率	50Hz			





Technical requirements:

1. Main power wire is connected to circuit breaker Q1 without passing the terminal board, and the main power earth wire is connected to the earth wire terminal board;
2. The drying blower and the drying heater are directly connected to the output of the AC contactor.

技术要求: 1. 主电源线接断路器Q1, 不经过端子排, 主电源线接地线端子排。  
2. 干燥风机及干燥电热直接接交流接触器输出端。

机型版本 Ver.D

D				制图		版号 B		标题 SEHD-800 电气元件布置及端子接线图		图号 SEHD-800-CE-230V-B-3		比例		第 3 张	
				设计		核准		SHINI 信易电热机械股份有限公司 Shini Plastics Technologies, Inc.		标准 CE		共 5 张			
				校对		日期 20231110				机器电压		3φ230V			
标记		更改前		更改后		更改人		日期		机器频率		50Hz			

1

2

3

4

5

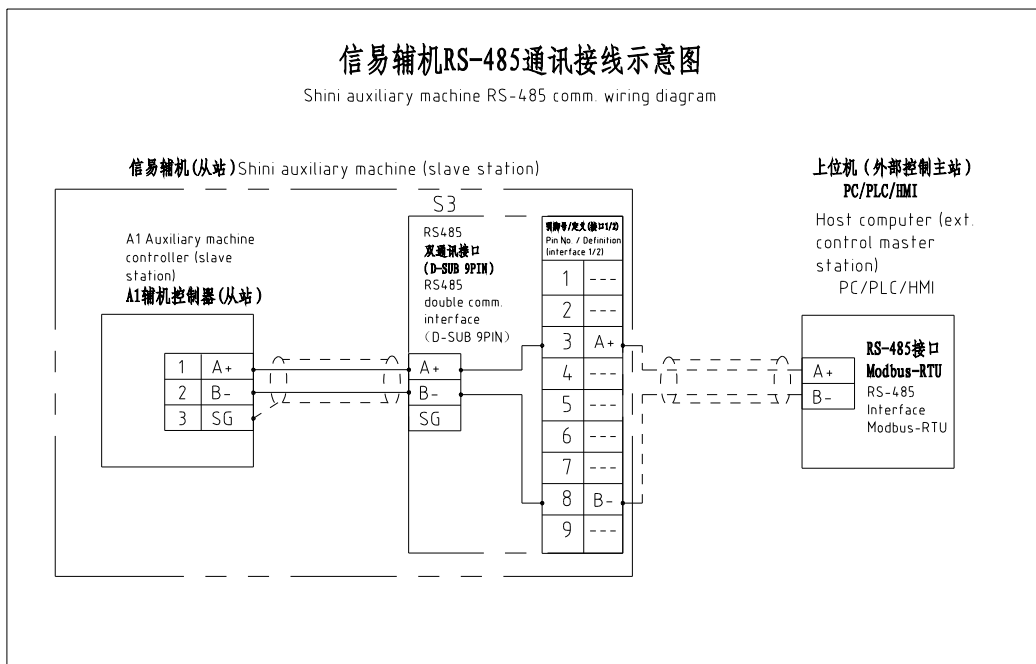
6

7

8

## 信易辅机RS-485通讯接线示意图

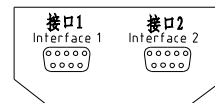
Shini auxiliary machine RS-485 comm. wiring diagram



## 信易RS-485接口定义

Shini RS-485 interface definition

S3



D-sub-9针接口 D-sub-9 pin interface	引脚号 Pin No	引脚定义 Pin definition
	1	-
	2	-
	3	A+ (RS-485 信号) A+ (RS-485 signal)
	4	-
	5	-
	6	-
	7	-
	8	B- (RS-485 信号) B- (RS-485 signal)
	9	-

- 注: 1. 通讯接口: RS-485 (两线式)  
 2. 通讯协议: Modbus-RTU  
 3. 机器配备D-sub9母接头, 客户需自备D-sub9公接头;  
 4. 接口1和接口2内部并联, 功能相同, 不分主次

Note 1. Comm. interface RS-485 (two wire)  
 2. Comm. protocol Modbus-RTU  
 3. The machine is equipped with D-sub9 female connector, and the customer needs to provide D-sub9 male connector.  
 4. Interface 1 and interface 2 are connected in parallel and have the same function, which is regardless of primary and secondary


机型版本 Ver.D

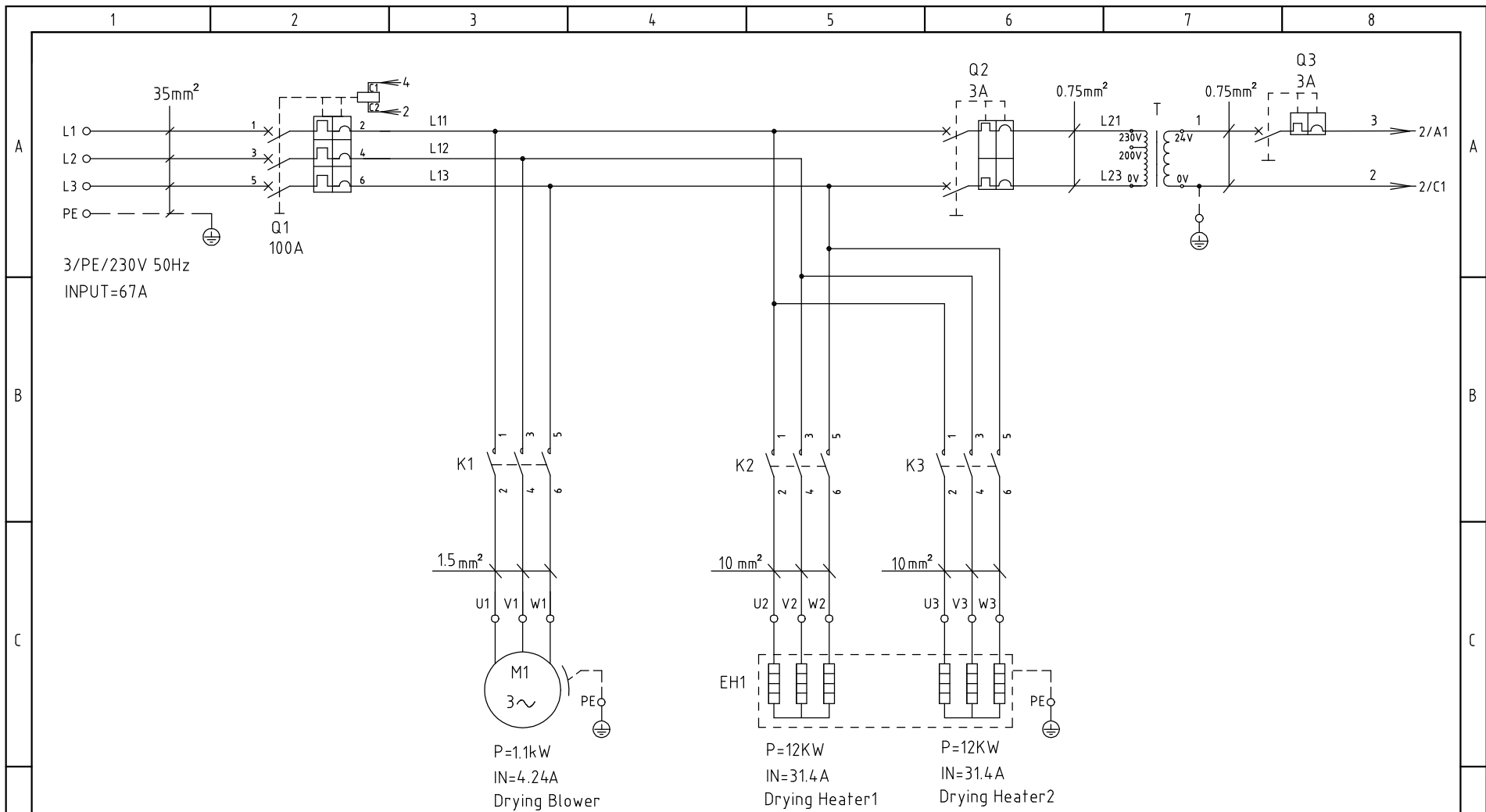
					制图		版号	B	标题	SEHD-800	图号	SEHD-800-CE-230V-B-4	比例	第 4 张
					设计		核		通讯接线图				标准	CE
					校对		准						机器电压	3φ230V
标记	更改前	更改后	更改人	日期	审核		日期	20231110					机器频率	50Hz




信易电热机械股份有限公司  
 Shini Plastics Technologies, Inc.

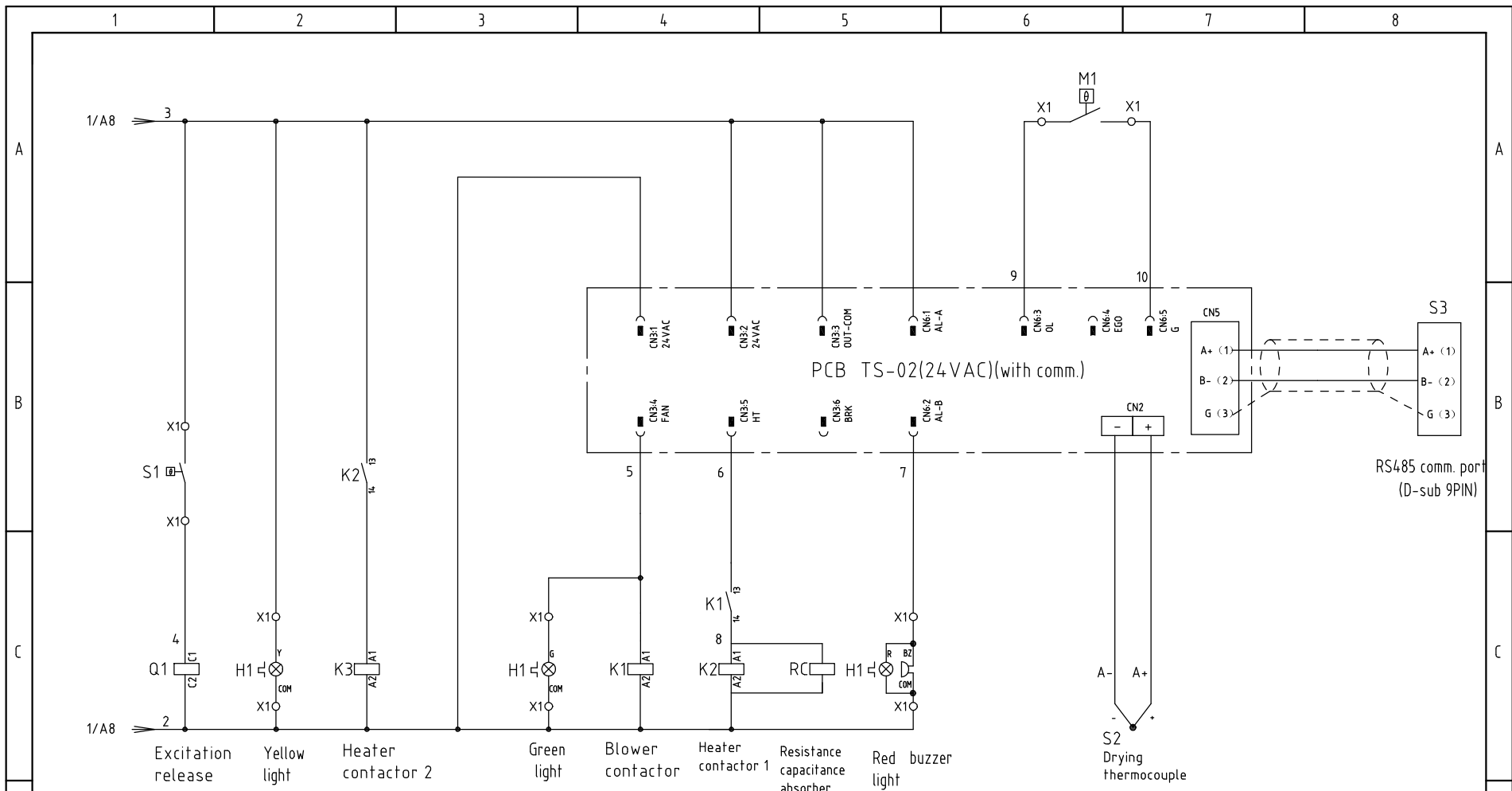


1		2		3		4		5		6		7		8		
序号/NO	符号/Symbol	名称/Name		制造商/Manufacturer		型号/Type		规格/Specification		单位/unit	数量/Number	物料编号/Material number		备注/Remark		
A	1	Q1	断路器/Circuit-breaker		TECO		BM-100D/3080S		80A 3P		PCS	1	YE40308003000			
	2		励磁脱扣器/Excitation release		---		MX		24V 50/60Hz		PCS	1	YE40024000000			
	3	Q2	断路器/Circuit-breaker		TECO		BM-63C/2003S		3A 2P		PCS	1	YE40200203000			
	4	Q3	断路器/Circuit-breaker		TECO		BM-63C/1003S		3A 1P		PCS	1	YE40100203000			
	5	K1	接触器/Contactor		SIEMENS		3RT6018-1AB01		24V 50/60Hz		PCS	1	YE00601802500			
	6	K2 K3	接触器/Contactor		SIEMENS		3RT6028-1AC20		24V 50/60Hz		PCS	2	YE00602802600			
	7	A1	变压器/Transformer		JIUXIN		IN=230V/230V OUT=24V		180VA		PCS	1	YE70023005400			
B	8	A1	干燥机控制器/Dryer controller A1		PUNP		TS-02P(24VAC)(含通讯 with comm.)		24V 50/60Hz		PCS	1	YE80022405200			
	9	S3	通信接口板RS-485(双端-双芯连接器) Communication interface board RS-485 (double Dash-5pin connector)		---		----		----		PCS	1	YE90048501200			
	10		外壳RS485(SAL-700G-A-19)0版 Shell RS485(SAL-700G-A-19)0		BINCHENG		----		----		PCS	1	YR40048500000			
	11	X1	端子排/Terminal board		HONEYWELL		SK2.5		2.5mm <sup>2</sup>		PCS	8	YE60002503200			
	12		接地端子/Grounding terminal		HONEYWELL		GK16PE		16mm <sup>2</sup> PE		PCS	1	YE60001603500			
	13		终端固定件E/GK系列 Terminal fittings E/GK series		HONEYWELL		----		----		PCS	4	YE60000003900			
	14	H1	三色警报灯/Three color alarm light		SHINI		红黄绿三色灯+蜂鸣器 Red, yellow, green lights + buzzer		24VAC		PCS	1	BL90002401520			
C	15	S1	温度保护器/Overheat protector		----		----		130 °C		----	1	----		(1)	
	16	S2	热电偶/Thermocouple		----		K Type		----		----	1	----		(1)	
	17	M1	风机/Blower		----		----		230V 50HZ		----	1	----		(1)	
	18	EH1	电热/Heater		----		----		230V 50HZ		----	1	----		(1)	
D	机型版本 Ver.D		注: (1)表示非电控箱内材料 Notes: (1)Means it's not the material inside the control box.													
					制图		版号 B		标题 SEHD-800		图号 SEHD-800-CE-230V-B-5		比例		第 5 张	
					设计		核 准		电气元件明细表一				标准 CE		共 5 张	
	标记		更改前		更改后		更改人		日期		审核		日期		20231110	
1		2		3		4		5		6		7		8		
								 <b>信易電熱機械股份有限公司</b> <b>Shini Plastics Technologies, Inc.</b>		机器电压		3φ230V				
												机器频率		50Hz		




机型版本 Ver.C

D	Drawer		Version	A	Title	SEHD-1000	Drawing NO.		Scale	Page 1	D
	Designer		Approved by		Main Circuit Diagram	SEHD-1000-CE-230V-A-1	Standard	CE	Totally 4 Pages		
	Proofread by		Date	20210115	 <b>信易電熱機械股份有限公司</b> <b>Shini Plastics Technologies, Inc.</b>		Voltage	3φ230V			
	Mark	Before modification	After modification	Modified by			Modify date	Checked by	Frequency	50Hz	

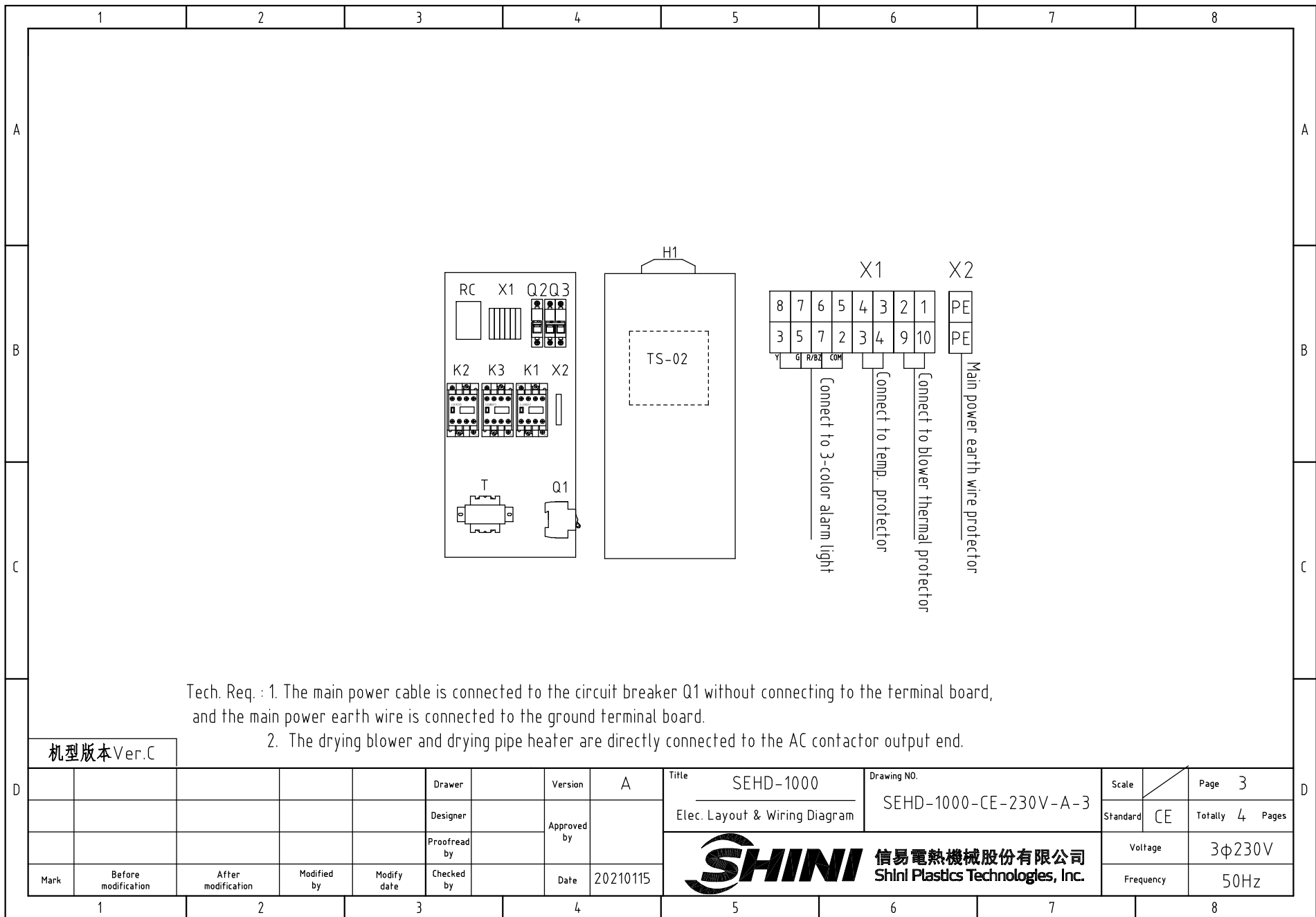


机型版本 Ver.C

Note: M1 is the overheat protector of the drying blower.

D	Drawer	Version	A	Title	SEHD-1000	Drawing NO.	SEHD-1000-CE-230V-A-2	Scale	Page 2
	Designer	Approved by		Electrical Diagram		Standard	CE	Totally 4	Pages
	Proofread by	Date	20210115	 <b>信易電熱機械股份有限公司</b> <b>Shini Plastics Technologies, Inc.</b>		Voltage	3φ230V		
	Mark	Before modification	After modification			Modified by	Modify date	Checked by	Frequency

1 2 3 4 5 6 7 8



Tech. Req. : 1. The main power cable is connected to the circuit breaker Q1 without connecting to the terminal board, and the main power earth wire is connected to the ground terminal board.

2. The drying blower and drying pipe heater are directly connected to the AC contactor output end.

机型版本 Ver.C

D					Drawer	Version	A	Title	SEHD-1000	Drawing NO.	SEHD-1000-CE-230V-A-3	Scale	Page	3
					Designer	Approved by		Elec. Layout & Wiring Diagram		Standard	CE	Totally	4	Pages
					Proofread by					Voltage		3φ230V		
	Mark	Before modification	After modification	Modified by	Modify date	Checked by	Date	20210115	<b>信易電熱機械股份有限公司</b> <b>Shini Plastics Technologies, Inc.</b>		Frequency	50Hz		
1	2	3	4	5	6	7	8							

1		2		3		4		5		6		7		8	
NO.	Symbol	Name		Manufacturer		Type		Specification		Number	Material number		Remark		
A	1	Q1	Circuit-breaker		TECO		BM-100D/30100S		100A 3P		1	YE40310003000			
	2		Excitation release		---		MX		24V 50/60Hz		1	YE40024000000			
	3	Q2	Circuit-breaker		TECO		BM-63C/2003S		3A 2P		1	YE40200203000			
	4	Q3	Circuit-breaker		TECO		BM-63C/1003S		3A 1P		1	YE40100203000			
	5	K1	Contactor		SIEMENS		3RT6015-1AB01		24V 7A 50/60Hz 1NO		1	YE00601502500			
	6	K2 K3	Contactor		SIEMENS		3RT5035-1AC20		24V40A 50/60Hz		2	YE00503502600			
	7	T	Transformer		JIUXIN		IN=230V/200V OUT=24V		230VA		1	YE70023006100			
B	8	PCB	Dryer controller/PCB		PUNP		TS-02P(24VAC)(with comm.)Pump		24V 50/60Hz		1	YE80022405200			
	9	S1	温度保护器/Overheat protector		EGO		---		115-320 °C		1	BH90115000150		Cancel	
	10	S1	Overheat protector		---		---		180°C			---		Increase(1)	
	11	S2	Thermocouple		SHINI		K TYPE		---		1	---			
	12	S3	Comm. interface board RS-485(Dsub-9pin connector)		YUYUN		---		---		1	YE90048501200			
	13		Shell RS485(SAL-700G-A-19)ver. 0		BINCHENG		---		---		1	YR40048500000			
	14	X1	Terminal		Honeywell		SK2.5		2.5mm <sup>2</sup>		2	YE60002503200		Revised	
C	15		Terminal		Honeywell		GK35PE		35mm <sup>2</sup> PE		1	YE60003503200			
	16		Terminal fittings E/GK series (Honeywell)		Honeywell		--		GK series		4	YE60000003900			
	17	RC	RC absorber		YUYUN		SA-RCS2		PCS		1	YE90000200000		(1)	
	18	M1	Blower		SHINI		---		1.1kW 230V 50HZ		1	---		(1)	
	19	EH1	Heater		SHINI		---		24kW 230V		1	---			
	20	H1	3-color alarm lamp		SHINI		Red. yel. green.+ buzzer		24V AC/DC		1	BL90002401520		Increase	
D	机型版本 Ver.C		Notes: (1)Materials in the control box;												
					Drawer		Version	A	Title	SEHD-1000		Drawing NO.	Scale	Page	4
					Designer		Approved by		Electrical parts List 1		SEHD-1000-CE-230V-A-4		Standard	CE	Totally 4 Pages
	Mark	Before modification	After modification	Modified by	Modify date	Checked by	Date	20210115	 <b>信易電熱機械股份有限公司</b> <b>Shini Plastics Technologies, Inc.</b>		Voltage		3φ230V		
								Frequency			50Hz				