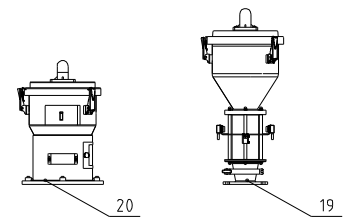
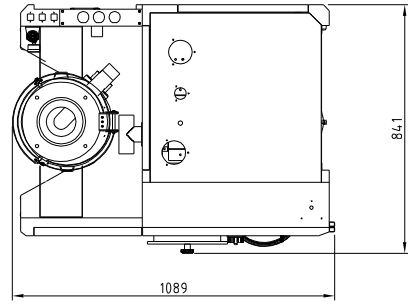
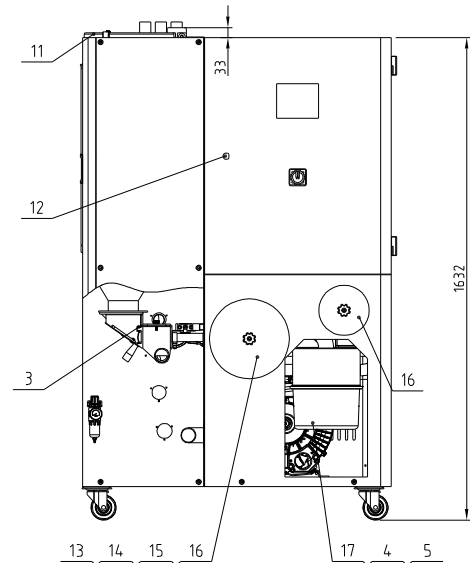
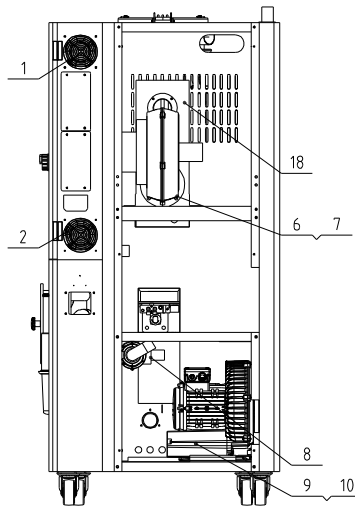


送料风机功率 Conveying blower power	干燥风机功率 Drying blower power	再生加热器功率 Regen. heater power	称量料斗容量 Heat insulated hopper capacity	机器版本号 Model version
1.5KW	0.12KW	3KW	4.0L	Ver E

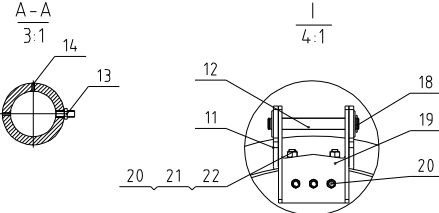
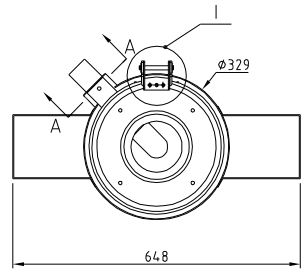
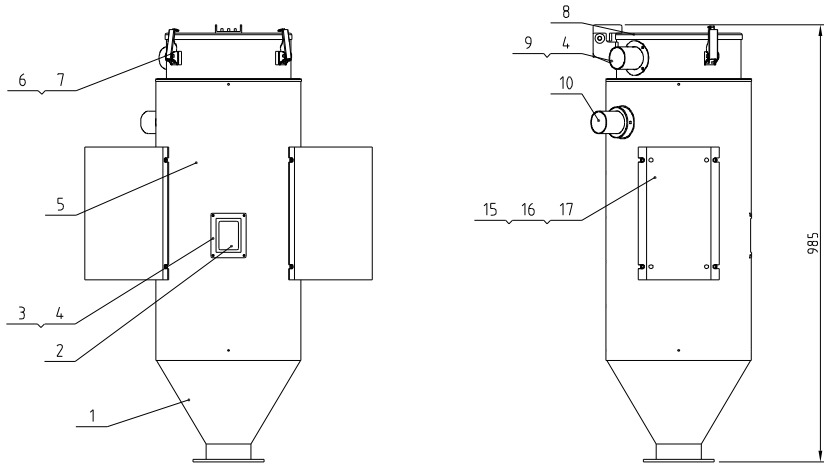


20	BH704.00300350	Euro single vacuum hopper SHR-3U(4PIN)	Assembly	1	
19	BY20000300550	Standard single photosensor hopper receiver 3VH-3U(4PIN)	Assembly	1	
18	BH704.00300350	Pipe heater 3KW 3ø4.00V	Assembly	1	
17	YR50127000000	Filter ADC1 ext 126x inner 70x H254mm	Assembly	1	*
16	YW09675100000	Small box nut 5/16	Assembly	2	
15	YR4.0120000100	Filter tank cover SD-120H-ALL-06	PC	1	*
14	YR101204.000000	Fastener of filter tank SD-120H-ALL-04	Assembly	1	
13	YR50708000200	Filter SAL-700/800G sctical gel fastener	Assembly	1	*
12	YW00816100000	Door lock (MS816-1 blk. with key)	Assembly	1	
11	SCD-4.0U/4.0H-B-ALL	Heat insulated hopper assembly	Assembly	1	Borrowed
10	BA20002000610	Screw thread 2HP-3HP-SHP-B-06	Assembly	2	
9	BM3004.2000250	Shini blower RB-420 A	Assembly	1	
8	SCD-230U/120H-D-ALL	3-way diaphragm valve	Assembly	1	Borrowed
7	YR10251000000	Air exhaust pipe fastener SHD-25/100 rubber	Rubber	1	
6	BM4.0338000850	Blower 3"	Assembly	1	
5	YW09005800000	buckle SDP-058(SUS304)	Assembly	2	
4	YR10080000300	Fastener of filter tank SAL-800G-A-L9 rubber	Assembly	1	
3	SBU-20-38S-V-ALL	Shut-off suction box	Assembly	1	
2	YR4.01203000000	3-in-1 dust-proof plastic screen (RPM120-3012-12)	Plastic	1	
1	YM601212064.00	Exhaust fan 12x12x12/24V/50/60HZ with plastic net	Assembly	1	

\* \* Indicates the items that may be damaged;

Please confirm the version number of the instruction manual before placing an order to purchase spare parts, so as to ensure that the material number of spare parts is consistent with the physical one

制图	版号	D	标题	SDL-4.0U	图号	SDL-4.0U-ALL	比例	1:15	数量		备注
设计	核准		欧化热风干燥送料组合								材质
校对	核准				信易电热机械股份有限公司 Shini Plastics Technologies, Inc.		表面要求		物料号		
标记	更改前	更改后									更改人



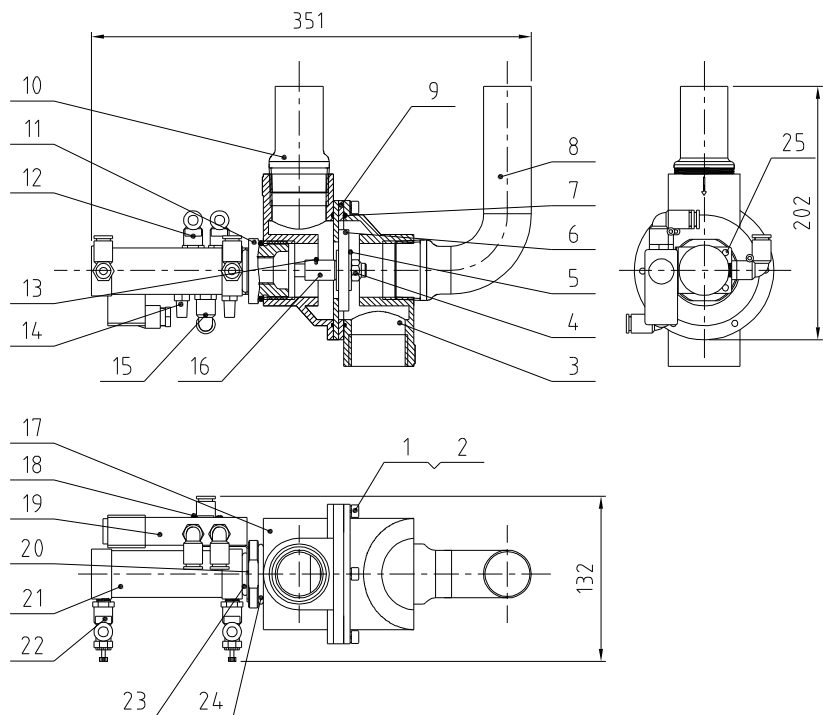
\*示可能损坏的项目, 建议备份  
 请下单采购零件之前, 先确认说明书版本号, 以确保零件物料与实物一致。  
 "I"Indicates the items that may be damaged.  
 It is recommended to back them up.  
 Please confirm the version number of the instruction manual before placing an order to purchase spare parts, so as to ensure that the material number of spare parts is consistent with the physical one

22	YW66051200000	Flat washer A grade GB/T19715-A2-70(SUS)		4	
21	YW60512201000	Inner hexagon cylinder screw GB/T101 M5x12-A2-70(SUS)		4	
20	YW64000500000	Non-metal insert hexagon nutGB/T8891M5		7	
19	SCD-40U/40H-B-09	Upper hinge	SPCC3.0	1	
18	YW66000500000	E-type washer E5		2	
17	YW66081900000	Flat washer A grade GB/T19718(9x16)-Longzine		8	
16	YW60082500100	Hexagon bolt GB/T5783 M8x25-12.9-Longzine		8	
15	SCD-40U/40H-B-03	Hopper fixed plate	SPCC3.0	2	
14	YW68061000000	Inner hexagon flat end set screw GB/T77 M5x10-Longzine		2	
13	YE905308004.00	Thermocouple SCD-230U/120H-ALL-08	Assembly	1	
12	BH10006003110	Hinge pine SAL-6U-31	SUS201	1	
11	SCD-120U/120H-A-08	Lower hinge	SPH4.0	1	Revised
10	SCD-40U/40H-B-06	Lower air suction pipe assembly	SUS201	1	
9	SCD-40U/40H-B-05	Air exhaust pipe	SUS201	1	
8	BL08040400120	Hopper cover SCD-40U/40H-B-08	Weldment	1	
7	YW64040700100	Non-metal insert hexagon nut GB/T8891M4		4	
6	YW020030004.00	Adjustable spring buckle SAL-6U-A-35		2	
5	SCD-40U/40H-B-02	Heat insulated plate	SUS430(0.5)	1	
4	YW62051000000	Large cross socket flat head screw JIS1111 M5x10-A2-70(SUS)		8	
3	SCD-40U/40H-B-07	Sight glass part One	SUS201(1.5)	1	
2	BR90204000010	Sight glass	PC	1	*
1	SCD-40U/40H-B-01	Storage tank	Assembly	1	

序号	代号	名称	材质	数量	备注
		标题 SCD-40U/40H 保温料桶组件	图号 SCD-40U/40H-B-ALL	比例 1:10	数量 1
				表面要求	材质
				物料号	



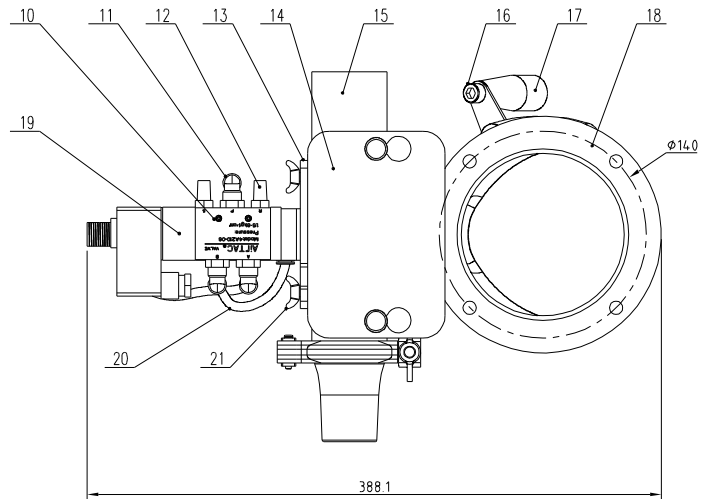
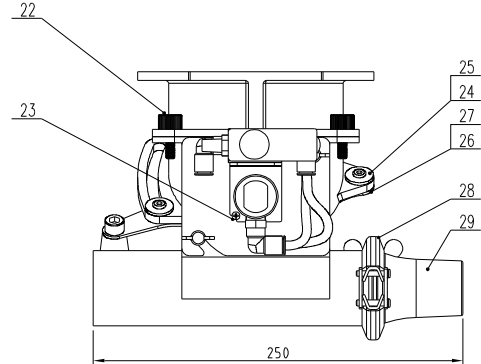
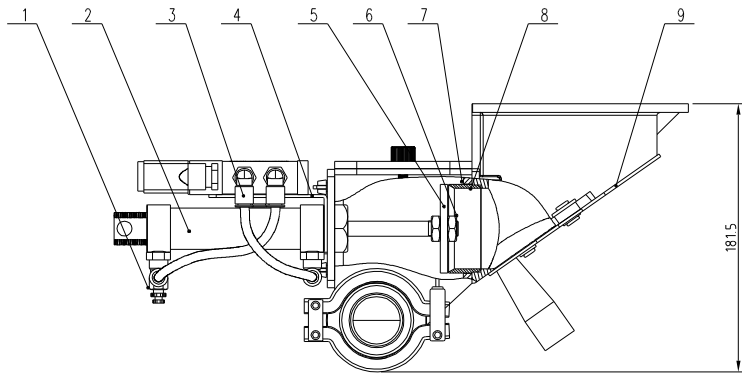
制图	版号	B
设计	核	
校对	准	
标记	更改前	更改后
	更改人	日期
	审核	日期



25	YW63040600000	Cross recessed pan head screw GB/T-818 M4x6-Longzine		2	
24	YR20044800000	O-type seal ring $\phi 48 \times \phi 4$	Rubber	1	
23	YR20305000000	O-type seal ring $\phi 30 \times \phi 5$	Rubber	1	
22	YW80061800000	Adjustable air pipe connector ASL6-1/8	Assembly	2	
21	YE31125010000	Cylinder MBL25x50-U(AIRTAC)		1	
20	SAL-910G-A-07	Solenoid valve fixed piece	SPCC1.2	1	
19	YE32421600100	Solenoid valve 4V210-06 AC24V	Assembly	1	
18	YW63042500000	Cross recessed pan head screw GB/T-818 M4x25-Longzine		2	
17	BR40230700010	Upper cover SCD-230U/120H-D-07	YL112	1	
16	BH10906000110	Height increased iron rod SAL-910G-A-06	Q235A	1	
15	YW80081800100	Air pipe connector APL8-1/8	Assembly	1	
14	YW80010800000	Silencer BSL-01	Assembly	2	
13	YW68005500000	Inner hexagon flat-end set screw GB/T77 M5x5-Longzine		1	
12	YW80061800200	Air pipe connector APL6-1/8	Assembly	2	
11	BH13900700010	3-way valve connector SAL-910G-A-05	6061	1	
10	BL22900000320	Air suction pipe 2 SAL-910G-A-04	SUS201	2	
9	SCD-230U/120H-D-06	3-way valve middle flange	SPH4 0	1	
8	BL22900000120	Air suction pipe 1 SAL-910G-A-03	SUS201	1	
7	YR20258900000	O-type seal ring $\phi 89 \times \phi 2.5$ (ext. dia)	Rubber	2	
6	BR10651200040	Four way valve diaphragm 65x12x8mm cover plastics (has mould)	Assembly	1	
5	YW66103200000	Large washer A grade GB/T96 10(10.5x30x2.5)-Longzine		2	
4	YW64101100000	Hexagon locknut M10(thickness 11mm)		1	
3	BH10090000510	Valve 1 SAL-910G-A-01	YL112	1	
2	YW65006000000	Standard spring washer GB/T93 6-A2-70(SUS)		6	
1	YW61062000300	Inner hex. column head screw GB/T770.1 M6x20-12.9-Longzine		6	
序号	代号	名称	材料	数量	备注

					制图	版号	
					设计	核准	
					校对	日期	
标记	更改前	更改后	更改人	日期	审核	日期	20170206

SCD-230U/120H		SCD-230U/120H-D-ALL		比例	数量
三通膜片阀					材质
<b>信易电热机械股份有限公司</b> <b>Shini Plastics Technologies, Inc.</b>				表面要求	
				物料号	



**技术要求:**

- 1 裁料口与膜片之间留0.5mm的间隙;
- 2 序号<24>和<27>需涂少量螺丝紧固剂,防止在使用过程中脱落。

**Tech Req:**

- 1 Leave 0.5mm clearance between the shut-off port and diaphragm
- 2 Apply a small amount of screw tightening agent to the part <24> and <27> to prevent dropping during use.

29	SBU-20-38S-V-11	15' Suction port	ADC12	1	BW20152000120
28	YW07000200300	Stainless Steel punching (lamp z')		1	
27	YW614.02600100	Inner hexagon big Flat head screw YJ 4026 M5x6		2	
26	YW6304.1500000	Flat washer A grade M6-13*1mm-Longzine		2	
25	YW66081900000	Flat washer 8x19x2.0 Longzine		2	
24	YW61101300200	Flat head chamfered hexagonal clamp nut QJ/NG 1013.1 M5x12		2	
23	YW63030600000	Cross recessed pan head screw GB/T-823 M3x6		1	
22	YW69616100000	Hand screw M6*16-16		2	
21	YW690615000000	Butterfly bolt GB/T 3098 M6x15		2	
20	YR60620000100	Transparent air pipe MG1200 M(r-oll)	PU pipe	0.4	
19	YE324.21600100	Solenoid valve G/200-06/AC24V AirTAC	Assembly	1	
18	SBU-20-38S-V-14	Collective barrel	ADC12	1	BW20203807010
17	YW06000100000	Blade rotating rod handle	Plastic	1	
16	YW61081600000	Inner hexagon cylindrical screw GB/T78.1 M6x16		1	
15	SBU-20-38S-V-07	Shut-off valve	ADC12	1	BW20203800220
14	SBU-20-38S-V-09	Sight glass	Acrylic plate	1	BR90203800410
13	SBU-20-38S-V-10	Cylinder fixed piece	SUS201	1	
12	YW80010800000	Copper muffler 1/8"	Copper	2	
11	YW80081800100	L type screw connector APJ.6-01.1/8-19	Assembly	1	
10	YW6304.2500000	Cross recessed pan head screw GB/T-818 M6x25		2	
9	SBU-20-38S-V-08	Shut-off plate	SUS201	1	
8	BH32160380010	Shut-off part SBU-160-38S-V-A-09	SUS201	1	
7	YW61061600000	Inner hexagon cylinder head screw M6x16-A2-70(SUS)		4	
6	YW64.101250000	Anti-loosening nut M10 * 125 (fine thread)		1	
5	SBU-20-38S-V-13	Diaphragm	SUS201	1	
4	SBU-20-38S-V-12	Solenoid valve fixed block	SUS201	1	
3	YW80061800200	L type screw connector APJ.6-01.1/8-06	Assembly	3	
2	YE31255000000	Cylinder MBL25*50-(A-P1 (Double-acting))	Assembly	1	
1	YW80061800000	Adjustable air pipe connector ASL.6-1/8-06	Assembly	1	

序号	代号	名称	材质	数量	备注
	标题 SBU-20-38S-V	图号 SBU-20-38S-V-ALL	比例	数量	
		裁料式吸料盒	材质		
			表面要求		
			物料号		

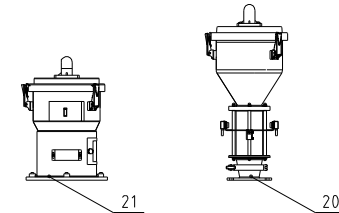
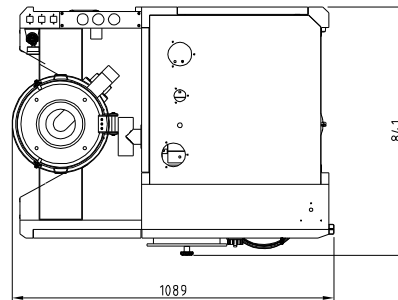
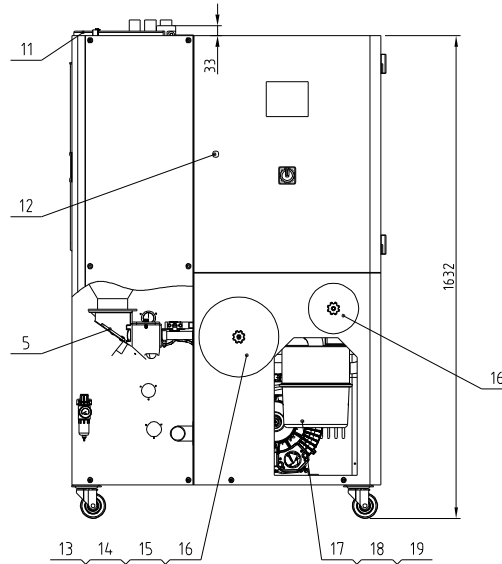
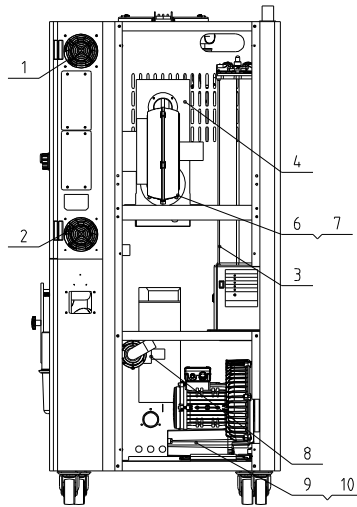


信易电热机械股份有限公司  
Shini Plastics Technologies, Inc.

制图	版号	标题	图号	比例	数量
标记	更改前	更改后	更改人	日期	审核



处理量/处理量 Processing capacity	送料风机电功率 Conveying blower power	干燥风机电功率 Drying blower power	再生风机电功率 Regen heater power	标准料箱容量 Standard hopper capacity	标准版本号 Model version
0.1m <sup>3</sup> /min	1.5KW	0.12KW	3KW	4.0L	Ver.E



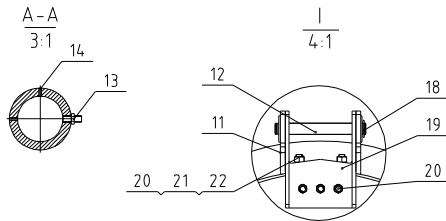
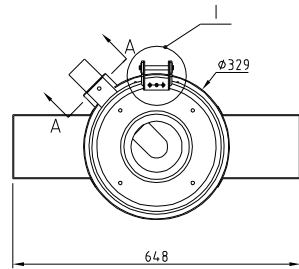
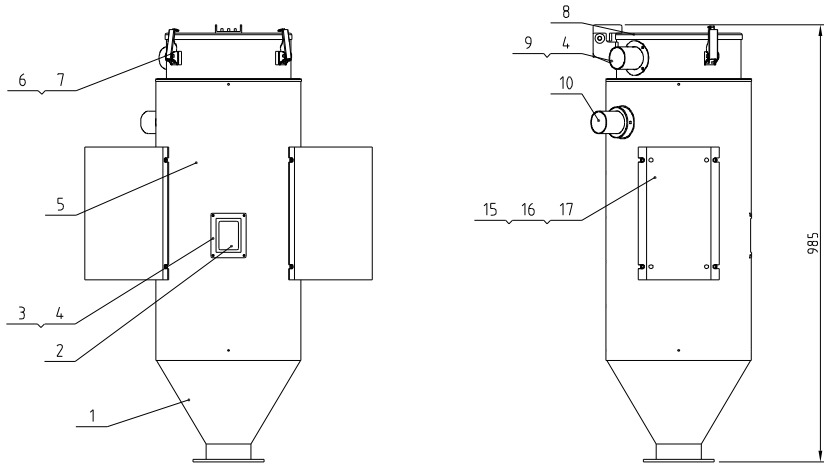
21	BH70400300350	Euro single vacuum hopper SHR-3U(4PIN)	Assembly	1	
20	BY20000300550	Standard single photosensor hopper receiver SWH-B(L&P)	Assembly	1	
19	YW09005800000	buckle SDP-05(SUS304)	Assembly	2	
18	YR10080000300	Fastener of filter tank SAL-800G-A-49 rubber	Assembly	1	
17	YR50127000000	Filter ADC1 ext 126x inner 70x H254mm	Assembly	1	*
16	YW09675100000	Small box nut 5/16	Assembly	2	
15	YR40120000100	Filter tank cover SD-120H-ALL-06	PC	1	*
14	YR10120400000	Fastener of filter tank SD-120H-ALL-04	Assembly	1	
13	YR50780000200	Filter SAL-700/800G sctical gel fastener	Assembly	1	*
12	YW00816100000	Door lock IMS816-1 blk. with key	Assembly	1	
11	SCD-40U/40H-B-ALL	Hopper Assembly	Assembly	1	
10	BA20002000610	Screw thread 2HP-3HP-5HP-B-06	Assembly	2	
9	BM30042000250	Shini blower RB-420 A	Assembly	1	
8	SCD-230U/120H-D-ALL	3-way diaphragm valve	Assembly	1	
7	YR10251000000	Air exhaust pipe fastener SHD-25/100 rubber	Rubber	1	
6	BM40338000850	Blower 3"	Assembly	1	
5	SBU-20-3BS-V-ALL	Shut-off suction box	Assembly	1	
4	BH70400300350	Pipe heater SHD-40U(3KW)3ø4.00V	Assembly	1	
3	BY90106600050	Heatless regen air dryer HAD-0106-06-1	Assembly	1	
2	YR40120300000	3-in-1 dust-proof plastic screen (PM120-30(12-12))	Plastic	1	
1	YM601212064.00	Exhaust fan 12x12CM/24V/50/60HZ with plastic net	Assembly	1	

\*"Indicates the items that may be damaged.

Please confirm the version number of the instruction manual before placing an order to purchase spare parts, so as to ensure that the material number of spare parts is consistent with the physical one.

序号	代号	名称	材料	数量	备注
		标题 SDL-40U-HD	图号 SDL-40U-HD-ALL	比例 1:15	数量 1
		欧化热风干燥送料组合		材质	
			表面要求		
			物料号		





\*示可能损坏的项目，建议备份  
 请下单采购零件之前，先确认说明书版本号，以确保零件物料与实物一致。

"\*"Indicates the items that may be damaged.  
 It is recommended to back them up.  
 Please confirm the version number of the instruction manual before placing an order to purchase spare parts, so as to ensure that the material number of spare parts is consistent with the physical one

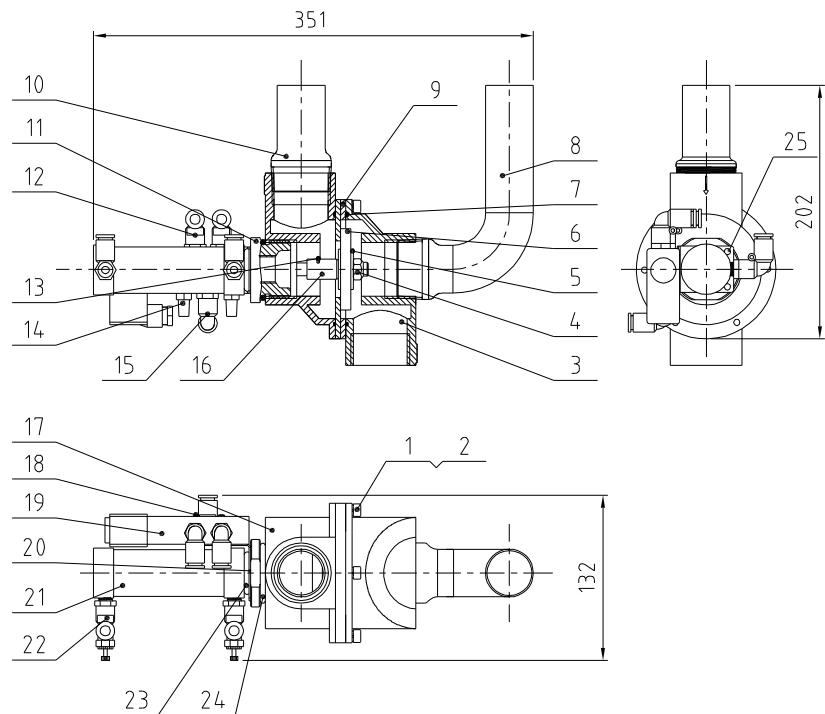
22	YW66051200000	Flat washer A grade GB/T9715-A2-70(SUS)		4	
21	YW60512201000	Inner hexagon cylinder screw GB/T101 M5x12-A2-70(SUS)		4	
20	YW64000500000	Non-metal insert hexagon nut GB/T889.1 M5		7	
19	SCD-40U/40H-B-09	Upper hinge	SPCC3.0	1	
18	YW66000500000	E-type washer E5		2	
17	YW66081900000	Flat washer A grade GB/T9711 80x16x1.61-Longzine		8	
16	YW60082500100	Hexagon bolt GB/T5783 M8x25-12.9-Longzine		8	
15	SCD-40U/40H-B-03	Hopper fixed plate	SPCC3.0	2	
14	YW68061000000	Inner hexagon flat end set screw GB/T77 M5x10-Longzine		2	
13	YE905308004.00	Thermocouple SCD-230U/120H-ALL-08	Assembly	1	
12	BH10006003110	Hinge pin SAL-6U-31	SUS201	1	
11	SCD-120U/120H-A-08	Lower hinge	SPH4.0	1	Revised
10	SCD-40U/40H-B-06	Lower air suction pipe assembly	SUS201	1	
9	SCD-40U/40H-B-05	Air exhaust pipe	SUS201	1	
8	BL08040400120	Hopper cover SCD-40U/40H-B-08	Weldment	1	
7	YW64040700100	Non-metal insert hexagon nut GB/T889.1 M4		4	
6	YW020030004.00	Adjustable spring buckle SAL-6U-A-35		2	
5	SCD-40U/40H-B-02	Heat insulated plate	SUS430(0.5)	1	
4	YW62051000000	Large cross socket flat head screw JIS1111 M5x10-A2-70(SUS)		8	
3	SCD-40U/40H-B-07	Sight glass part One	SUS201(1.5)	1	
2	BR90204000010	Sight glass	PC	1	*
1	SCD-40U/40H-B-01	Storage tank	Assembly	1	

序号	代号	名称	材质	数量	备注
		标题 SCD-40U/40H 保温料桶组件	图号 SCD-40U/40H-B-ALL	比例 1:10	数量 1
				表面要求	材质
				物料号	



信易电热机械股份有限公司  
 Shini Plastics Technologies, Inc.

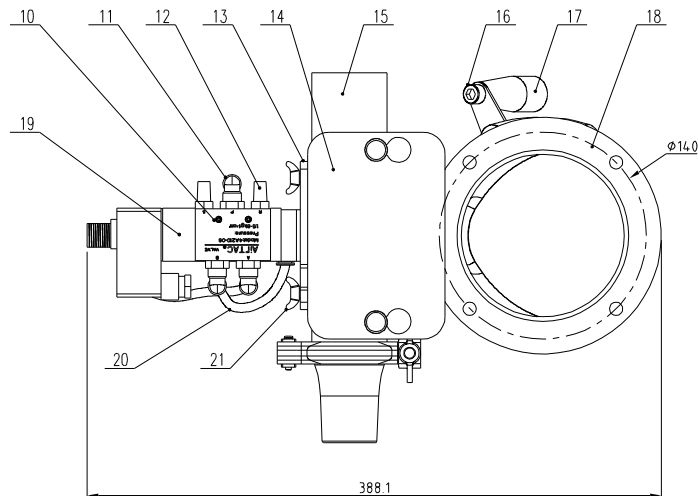
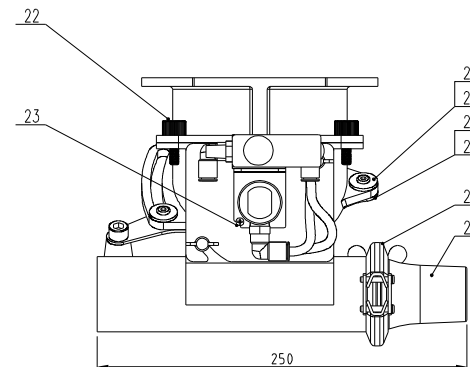
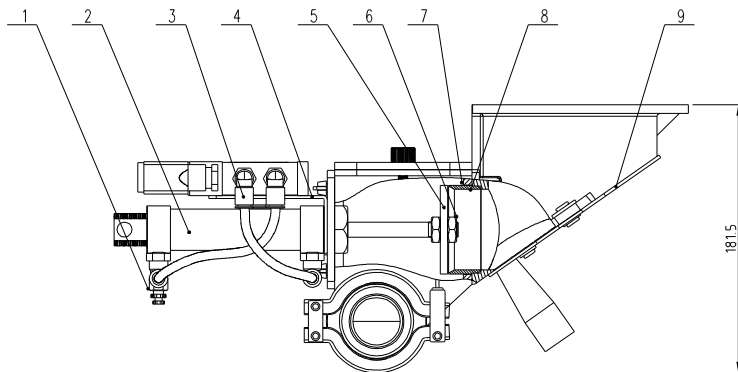
制图	版号	B
设计	核	
校对	准	
标记	更改前	更改后
	更改人	日期
	审核	日期



25	YW63040600000	Cross recessed pan head screw GB/T-818 M4x6-Longzine		2	
24	YR20044800000	O-type seal ring $\phi 48 \times \phi 4$	Rubber	1	
23	YR20305000000	O-type seal ring $\phi 30 \times \phi 5$	Rubber	1	
22	YW80061800000	Adjustable air pipe connector ASL6-1/8	Assembly	2	
21	YE31125010000	Cylinder MBL25x50-U(AIRTAC)		1	
20	SAL-910G-A-07	Solenoid valve fixed piece	SPCC1.2	1	
19	YE32421600100	Solenoid valve 4V210-06 AC24V	Assembly	1	
18	YW63042500000	Cross recessed pan head screw GB/T-818 M4x25-Longzine		2	
17	BR40230700010	Upper cover SCD-230U/120H-D-07	YL112	1	
16	BH10906000110	Height increased iron rod SAL-910G-A-06	Q235A	1	
15	YW80081800100	Air pipe connector APL8-1/8	Assembly	1	
14	YW80010800000	Silencer BSL-01	Assembly	2	
13	YW68005500000	Inner hexagon flat-end set screw GB/T777 M5x5-Longzine		1	
12	YW80061800200	Air pipe connector APL6-1/8	Assembly	2	
11	BH13900700010	3-way valve connector SAL-910G-A-05	6061	1	
10	BL22900000320	Air suction pipe 2 SAL-910G-A-04	SUS201	2	
9	SCD-230U/120H-D-06	3-way valve middle flange	SPH4 0	1	
8	BL22900000120	Air suction pipe 1 SAL-910G-A-03	SUS201	1	
7	YR20258900000	O-type seal ring $\phi 89 \times \phi 2.5$ (ext. dia)	Rubber	2	
6	BR10651200040	Four way valve diaphragm 65x12x8mm cover plastics (has mould)	Assembly	1	
5	YW66103200000	Large washer A grade GB/T96 10(10.5x30x2.5)-Longzine		2	
4	YW64101100000	Hexagon locknut M10(thickness 11mm)		1	
3	BH10090000510	Valve 1 SAL-910G-A-01	YL112	1	
2	YW65006000000	Standard spring washer GB/T93 6-A2-70(SUS)		6	
1	YW61062000300	Inner hex. column head screw GB/T770.1 M6x20-12.9-Longzine		6	
序号	代号	名称	材料	数量	备注

					制图		版号	
					设计		核准	
					校对		核准	
标记	更改前	更改后	更改人	日期	审核	日期	20170206	

SCD-230U/120H		SCD-230U/120H-D-ALL		比例	数量
三通膜片阀					材质
<b>SHINI</b> 信易电热机械股份有限公司 Shini Plastics Technologies, Inc.				表面要求	
				物料号	



**技术要求:**

- 1 裁料口与膜片之间留0.5mm的间隙;
- 2 序号<24>和<27>需涂少量螺丝紧固剂,防止在使用过程中脱落。

**Tech Req:**

- 1 Leave 0.5mm clearance between the shut-off port and diaphragm
- 2 Apply a small amount of screw tightening agent to the part <24> and <27> to prevent dropping during use.

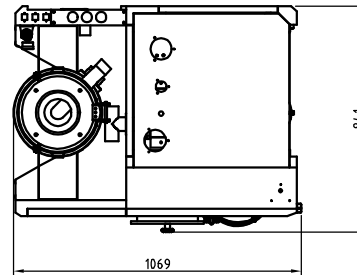
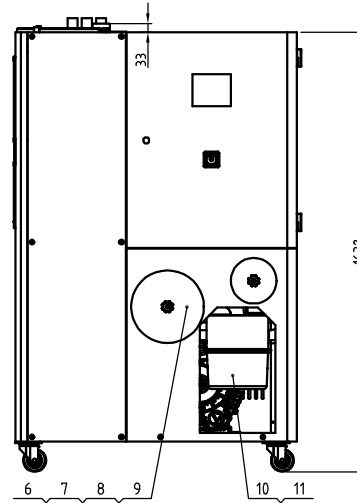
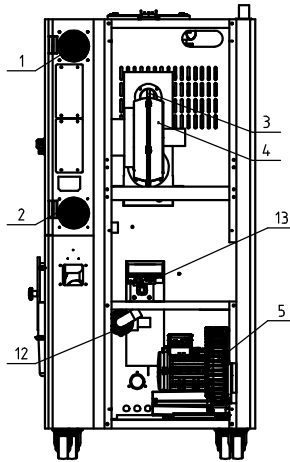
29	SBU-20-38S-V-11	15' Suction port	ADC12	1	BW20152000120
28	YW07000200300	Stainless Steel punching (lamp z')		1	
27	YW614.02600100	Inner hexagon big Flat head screw YJ 4026 M5x6		2	
26	YW6304.1500000	Flat washer A grade M6-13*1mm-Longzine		2	
25	YW66081900000	Flat washer 8x19x2.0 Longzine		2	
24	YW61101300200	Flat head chamfered hexagonal clamp nut QJ/NG 1013.1 M5x12		2	
23	YW63030600000	Cross recessed pan head screw GB/T-823 M3x6		1	
22	YW69616100000	Hand screw M6*16-16		2	
21	YW690615000000	Butterfly bolt GB/T 3098 M6x15		2	
20	YR60620000100	Transparent air pipe MG1200 M(roll)	PU pipe	0.4	
19	YE324.21600100	Solenoid valve G/200-06/AC24V AirTAC	Assembly	1	
18	SBU-20-38S-V-14	Collective barrel	ADC12	1	BW20203807010
17	YW06000100000	Blade rotating rod handle	Plastic	1	
16	YW61081600000	Inner hexagon cylindrical screw GB/T78.1 M6x16		1	
15	SBU-20-38S-V-07	Shut-off valve	ADC12	1	BW20203800220
14	SBU-20-38S-V-09	Sight glass	Acrylic plate	1	BR90203800410
13	SBU-20-38S-V-10	Cylinder fixed piece	SUS201	1	
12	YW80010800000	Copper muffler 1/8"	Copper	2	
11	YW80081800100	L type screw connector APJ.6-01.1/8-19	Assembly	1	
10	YW6304.2500000	Cross recessed pan head screw GB/T-818 M6x25		2	
9	SBU-20-38S-V-08	Shut-off plate	SUS201	1	
8	BH32160380010	Shut-off part SBU-160-38S-V-A-09	SUS201	1	
7	YW61061600000	Inner hexagon cylinder head screw M6x16-A2-70(SUS)		4	
6	YW64.101250000	Anti-loosening nut M10 * 125 (fine thread)		1	
5	SBU-20-38S-V-13	Diaphragm	SUS201	1	
4	SBU-20-38S-V-12	Solenoid valve fixed block	SUS201	1	
3	YW80061800200	L type screw connector APJ.6-01.1/8-06	Assembly	3	
2	YE31255000000	Cylinder MBL25*50-(A-P1 (Double-acting))	Assembly	1	
1	YW80061800000	Adjustable air pipe connector ASL.6-1/8-06	Assembly	1	

序号	代号	名称	材质	数量	备注
	标题 SBU-20-38S-V	图号 SBU-20-38S-V-ALL	比例	数量	
		裁料式吸料盒	材质		
			表面要求		
			物料号		



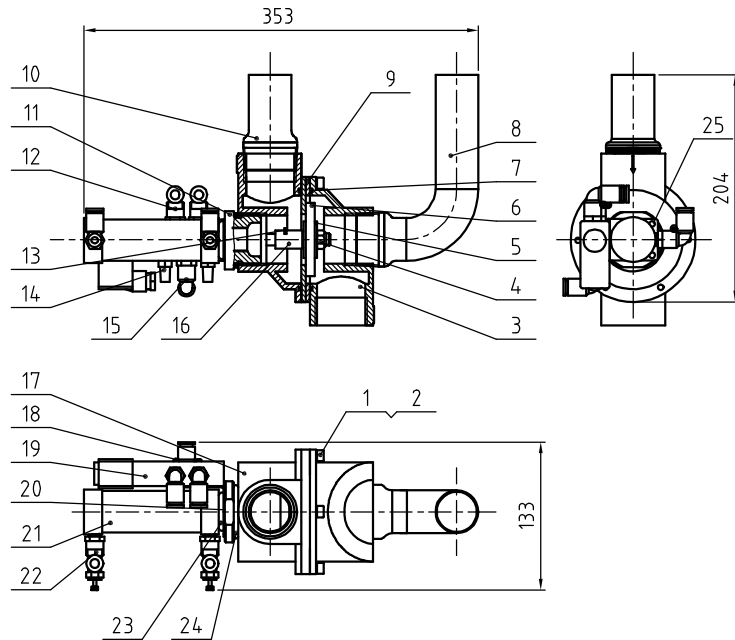
制图	版号	标题	图号	比例	数量
		SBU-20-38S-V	SBU-20-38S-V-ALL		
设计	核准				
校对	核准				
标记	更改前	更改后	更改人	日期	审核

Conveying blower power	Drying blower power	Heater power	Insulated hopper capacity	Model Ver.
1.5KW	0.12KW	3.9KW	80L	Ver.D



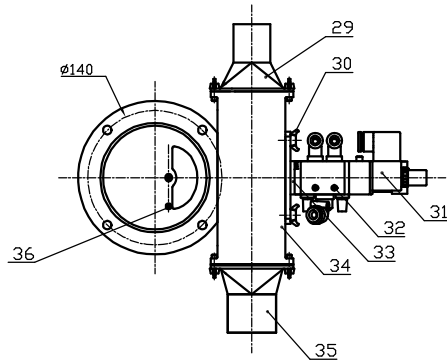
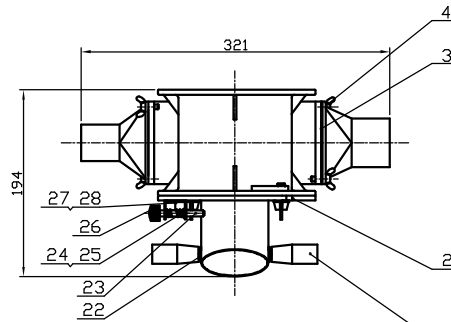
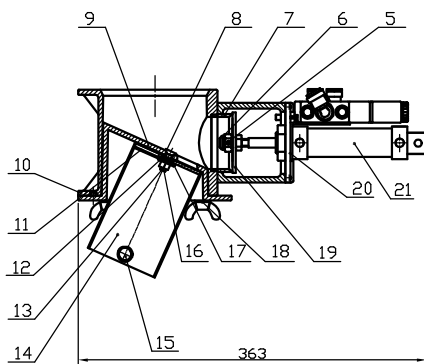
13	SBU-20-38S-V-A-ALL	Shut-off suction box	Assembly	1	
12	SCD-230U/120H-D-ALL	3-way diaphragm valve	Assembly	1	
11	YR10080000300	Filter hopper fastener SAL-809G-A-49 rubber	Assembly	1	
10	YR50127000000	Filter ADC1 ext.126winner 70xH254mm	Assembly	1	
9	YW09675100000	Small star nut 5/16	Assembly	2	
8	BR90120500010	Filter hopper cover SD-120H-ALL-05	PC	1	
7	YR10120400000	Filter fastener SD-120H-ALL-04	Assembly	1	
6	YR50708000200	Filter SAL-700/800G fastener silica gel	Assembly	1	
5	BM30042000050	Shini blower RB-420	Assembly	1	
4	BM40338000850	Blower 3"	Assembly	1	
3	BH70803900250	Pipe heater SHD-80U(3.9KW)3M48V	Assembly	1	
2	YR40120300000	3-in-1 anti-dust plastic screen 60M28-30D-02	Assembly	1	
1	YM60121206400	Exhaust fan 12x120W/24V/50/60HZ plastic screen	Assembly	1	
No.	Material number	Name	Mat.	Num	Rem

Mark	Before Mod.	After Mod.	Mod. by	Date	App.	Date	2016	Title	SDL-80U Drying Loader	Drawing No.	SDL-80U-ALL	Scale	1:5	Qty.	1
								<b>SHINI</b> 信易電熱機械股份有限公司 Shini Plastics Technologies, Inc.		Surface Req.		Mat.		Mat. No.	



25	YW6304.0600000	Cross socket pan head screw GB/T-818 M4x6-Longzine		2	
24	YR2004.4800000	O-type seal ring $\phi 4.8 \times \phi 4$	Rubber	1	
23	YR20305.0000000	O-type seal ring $\phi 30 \times \phi 5$	Rubber	1	
22	YW8006.1800000	Adjustable air pipe connector ASL6-1/8	Assembly	2	
21	YE31125.0100000	Cylinder MBL25x50-U(AIRTAC)		1	
20	SAL-910G-A-07	Solenoid valve fixed piece	SPCC1.2	1	
19	YE324.21600100	Solenoid valve 4V210-06 220V	Assembly	1	
18	YW6304.2500000	Cross socket pan head screw GB/T-818 M4x25-Longzine		2	
17	BR4.02307.000010	Upper cover SCD-230U/120H-D-07	YL112	1	
16	BH10906.0000110	Height increased iron rod SAL-910G-A-06	Q235A	1	
15	YW8008.1800100	Air pipe connector ASL8-1/8	Assembly	1	
14	YW8001.0800000	Muffer BSL-01	Assembly	2	
13	YW6800.5500000	Inner hex. flat end lock screw GB/T771 M5x5-Longzine		1	
12	YW8006.1800200	Air pipe connector ASL6-1/8	Assembly	2	
11	BH13900.7000010	3-way valve connector SAL-910G-A-05	6061	1	
10	BL22900.000320	Air suction pipe 2 SAL-910G-A-04	SUS201	2	
9	SCD-230U/120H-D-06	3-way valve middle flange	SPH4.0	1	
8	BL22900.000120	Air suction pipe 1 SAL-910G-A-03	SUS201	1	
7	YR2025.8900000	O-type seal ring $\phi 89 \times \phi 2.5$ (ext. dia.)	Rubber	2	
6	BR1065.1200040	4-way valve diaphragm 65x12x8mm (has mould)	Assembly	1	
5	YW6610.3200000	Large washer A grade GB/T96 10(10.5x30x2.5)-Longzine		2	
4	YW64.101100000	Hex. lock nut M10 (Thickness: 1mm)		1	
3	BH1009.00000510	Valve body 1 SAL-910G-A-01	YL112	1	
2	YW6500.6000000	Standard spring washer GB/T93 6-A2-70(SUS)		6	
1	YW6106.2000300	Inner hex. column lock screw GB/T70.1 M6x20-12.9-Longzine		6	
No.	Material number	Name	Mat.	Num.	Rem.

Draw.	Ver.	Title	Drawing no.	Scale	1:5	Num.	1
Desi.	App.	Three-way Diaphragm Valve	SCD-230U/120H-D-ALL			Mat.	Assembly
Check	by	<b>信易電熱機械股份有限公司</b> <b>Shini Plastics Technologies, Inc.</b>		Surface req.			
Mark	Date			20170206	Mat. No.		
Before Mark	After Mod.	Modified by	Date	App.	Date		

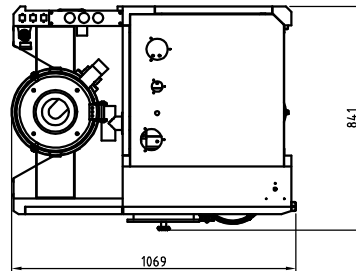
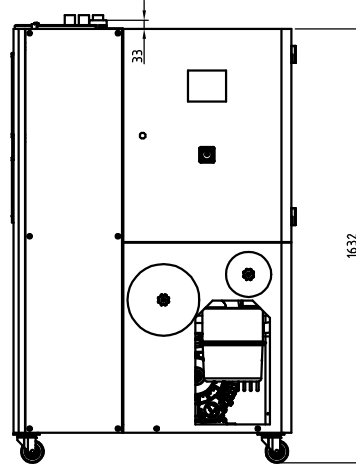
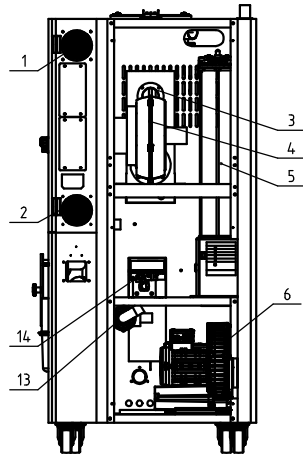


Tech. Req.  
1) Must reserve 0.5mm clearance between the discharge port body and the discharge port sleeve.

36	YW69042000200	Cross socket pan head screw GB/T 917.4-M4x20-Longzine			1	
35	SBU-160-50S-V-A-01	Suction port	YL112	1	borrow	
34	SBU-160-38S-V-A-03	Shut-off body	YL112	1	borrow	
33	SBU-160-38S-V-A-10	Solenoid valve fixed block	SPCC2.0	1	borrow	
32	YW63042500000	Cross socket pan head screw GB/T-818-M4x25-Longzine		2		
31	YE32421600000	Solenoid valve 4V210-66/AC220V AirTAC	Assembly	1		
30	YW69061500000	Butterfly bolt GB/T 3098 M6x15		2		
29	SBU-160-38S-V-A-05	Suction port	YL112	1	borrow	
28	YW62040500000	Large cross socket flat head screw H4.810111 H4.8-Longzine		2		
27	SBU-160-38S-V-A-13	Locating pin fixed base	SUS201	1	borrow	
26	YW69461600000	Manual screw M4x6x16		1		
25	YW66000500000	E-washer E5		1		
24	SBU-160-38S-V-A-14	Spring	Cerise spring steel wire	1	borrow	
23	SBU-20-38S-V-A-04	Pin	Q235	1		
22	YW66081900000	Flat washer 8x19x2.0 Longzine		2		
21	YE31255000000	Cylinder MAL25x50-CA-PT AirTAC	Assembly	1		
20	SBU-160-38S-V-A-11	Cylinder fixed piece	SUS201	1	borrow	
19	SBU-160-38S-V-A-19	Diaphragm valve $\phi 63 \times \phi 10 \times 3$	SUS201	1	borrow	
18	YW69081500000	Butterfly bolt GB/T 3098 M8x15		2		
17	YW66061200000	Flat washer A gale GB/T97.1 6.6x12x1.6-A2-7015US1		1		
16	YW64060401000	1-type flat metal hex lock nut GB/T6404.1-A2-7015US1		1		
15	YW60081600100	Hex. bolt GB/T5783 M8x16-12.9-Longzine		2		
14	SBU-20-38S-V-A-03	Discharge port sleeve	SUS201	1	borrow	
13	YW61062500500	Inner hex counter sunk head screw GB/T103.3 M6x25-A2-7015US1		1		
12	YW66061800000	Large flat washer A GB/T96.1 6-Longzine		1		
11	SBU-20-38S-V-A-05	Hopper inner washer	SUS201	1	borrow	
10	SBU-20-38S-V-A-01	Collective body	YL112	1		
9	SBU-20-38S-V-A-06	Hopper bottom washer	SUS201	1	borrow	
8	YW66061300000	Large flat washer A GB/T96.1 6-Longzine		2		
7	SBU-160-38S-V-A-09	Shut-off port	SUS201	1	borrow	
6	BH10160009710	Anti-loose nut M16x1.259M lock head(SBU-160-38S-V-A-2)	Assembly	1		
5	YW69004500000	Inner hex flat end lock screw GB/T777 M4x5-Longzine		1		
4	YW69051500000	Butterfly bolt GB/T 3098 M5x15		4		
3	SBU-160-38S-V-A-07	Air refilling port block	SUS201	1	borrow	
2	SBU-20-38S-V-A-02	Discharge port body	YL112	1		
1	YW06000100000	Cutter rotating rod (with rod) handle	Rubber	2		
No.	Material number	Name		Mat.	Num	Rem

					Dra.		Ver.		Title	SBU-20-38S-V	Drawing no.	SBU-20-38S-V-A-ALL	Scale	1:4	No.	1
					Desi.		App.		Shut-off Suction Box					Mat.	Assembly	
					Check		by									
Mark	Before Mod.	After Mod.	Mod. by	Date			Date				信昌電機機械股份有限公司 Shini Plastics Technologies, Inc.		Surface req.			
													Mat No			

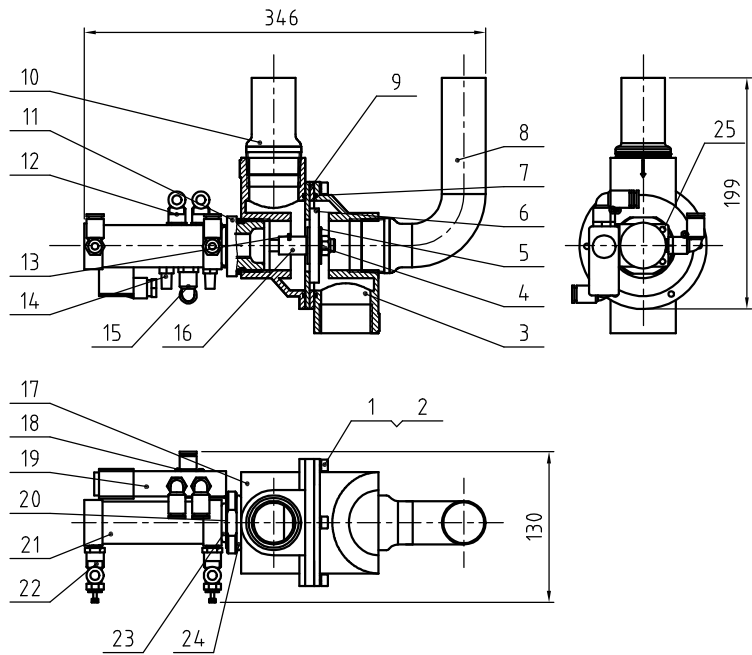
Conveying blower power	Drying blower power	Heater power	Insulated hopper capacity	Model Ver.
1.5KW	0.12KW	3.9KW	80L	Ver.D



14	SBU-20-38S-V-A-ALL	Shut-off suction box	Assembly	1	
13	SCD-230U/120H-D-ALL	3-way diaphragm valve	Assembly	1	
12	YR10080000300	Filter hopper fastener SAL-800G-A-49 rubber	Assembly	1	
11	YR50127000000	Filter ADC1 ext.126-inner 70xH1254mm	Assembly	1	
10	YW09675100000	Small star nut 5/16	Assembly	2	
9	BR90120500010	Filter hopper cover SD-120H-ALL-05	PC	1	
8	YR10120400000	Filter fastener SD-120H-ALL-04	Assembly	1	
7	YR50708000200	Filter SAL-700/800G fastener silica gel	Assembly	1	
6	BM30042000050	Shini blower RB-420	Assembly	1	
5	BY90106600050	Heatless Dehumidifying Dryer HAD-0106-06-1	Assembly	1	
4	BM40338000850	Blower 3"	Assembly	1	
3	BH70803900250	Pipe heater SHD-80UJ(3.9KW)3M400V	Assembly	1	
2	YR40120300000	3-in-1 anti-dust plastic screen 6MM30-300x400	Plastics	1	
1	YM60121206400	Exhaust fan 12-02CN/24V/50/60HZ plastic screen	Assembly	1	
No.	Material number	Name	Mat.	Num	Rem

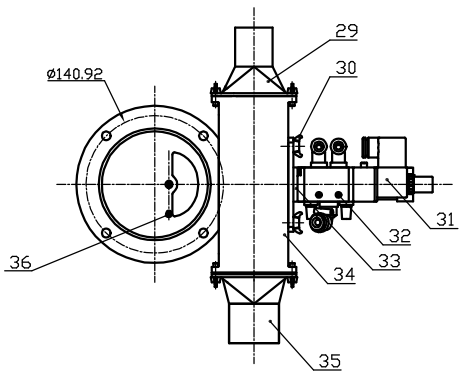
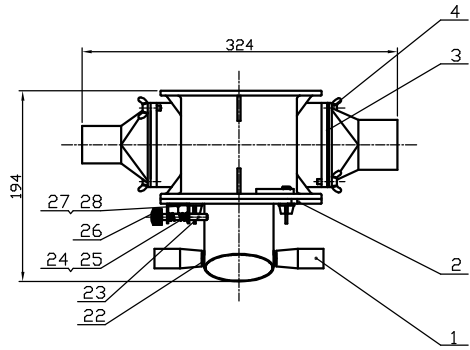
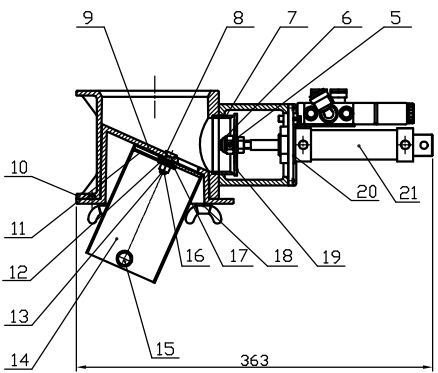
					Dra.		Ver.	0	Title	SDL-80U-HD	Drawing No.	SDL-80U-HD-ALL	Scale	1:15	Qty.	1
					Desi.		App.		Drying Loader				 Surface Req.	 Mat.		
					Check		by									
Mark	Before Mod.	After Mod.	Mod. by	Date	App.		Date	2016	<b>信易電熱機械股份有限公司</b> <b>Shini Plastics Technologies, Inc.</b>							





25	YW63040600000	Cross socket pan head screw GB/T-818 M4x6-Longzine		2	
24	YR20044800000	O-type seal ring $\phi 48 \times \phi 4$	Rubber	1	
23	YR20305000000	O-type seal ring $\phi 30 \times \phi 5$	Rubber	1	
22	YW80061800000	Adjustable air pipe connector ASL6-1/8	Assembly	2	
21	YE31125010000	Cylinder MBL25x50-U(AIRTAC)		1	
20	SAL-910G-A-07	Solenoid valve fixed piece	SPCC1.2	1	
19	YE32421600100	Solenoid valve 4V210-06 220V	Assembly	1	
18	YW63042500000	Cross socket pan head screw GB/T-818 M4x25-Longzine		2	
17	BR40230700010	Upper cover SCD-230U/120H-D-07	YL112	1	
16	BH10906000110	Height increased iron rod SAL-910G-A-06	Q235A	1	
15	YW80081800100	Air pipe connector ASL8-1/8	Assembly	1	
14	YW80010800000	Muffer BSL-01	Assembly	2	
13	YW68005500000	Inner hex. flat end lock screw GB/T777 M5x5-Longzine		1	
12	YW80061800200	Air pipe connector ASL6-1/8	Assembly	2	
11	BH13900700010	3-way valve connector SAL-910G-A-05	6061	1	
10	BL22900000320	Air suction pipe 2 SAL-910G-A-04	SUS201	2	
9	SCD-230U/120H-D-06	3-way valve middle flange	SPH4.0	1	
8	BL22900000120	Air suction pipe 1 SAL-910G-A-03	SUS201	1	
7	YR20258900000	O-type seal ring $\phi 89 \times \phi 2.5$ (ext. dia.)	Rubber	2	
6	BR10651200040	4-way valve diaphragm 65x12x8mm (has mould)	Assembly	1	
5	YW66103200000	Large washer A grade GB/T96 10(10.5x30x2.5)-Longzine		2	
4	YW64101100000	Hex. lock nut M10 (Thickness: 11mm)		1	
3	BH10090000510	Valve body 1 SAL-910G-A-01	YL112	1	
2	YW65006000000	Standard spring washer GB/T93 6-A2-70(SUS)		6	
1	YW61062000300	Inner hex. column lock screw GB/T710.1 M6x20-12.9-Longzine		6	
No.	Material number	Name	Mat.	Num.	Rem.

Draw.	Ver.	Title	Drawing no.	Scale	1:5	Num.	1
Desi.	App.	Three-way Diaphragm Valve	SCD-230U/120H-D-ALL			Mat.	Assembly
Check	by	信易電熱機械股份有限公司 Shini Plastics Technologies, Inc.		Surface req.			
Mark	Date			Mat. No.			
Before Mark	After Mod.	Modified by.	Date	App.	Date	20170206	

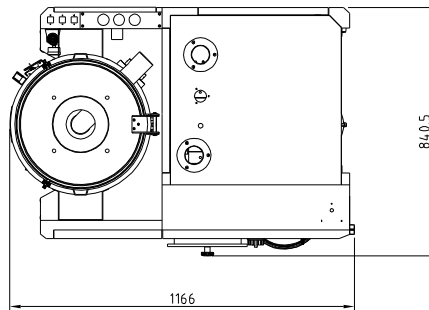
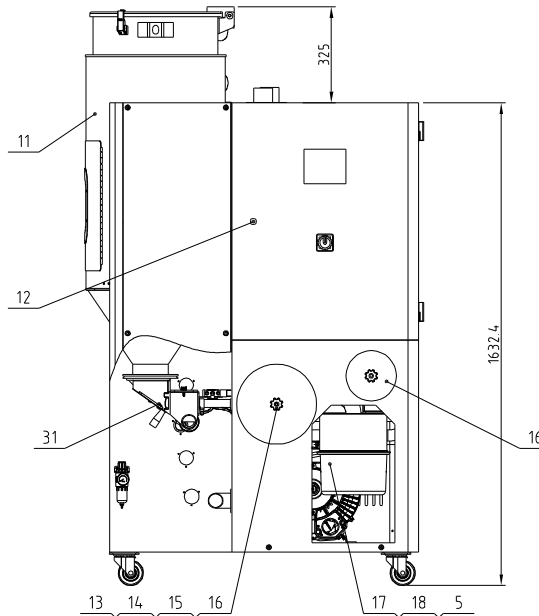
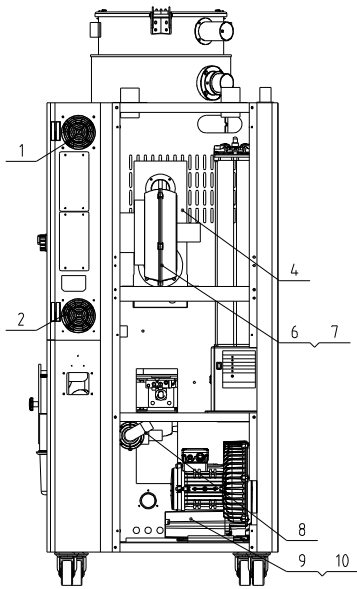


Tech. Req:  
1.It must reserve 0.5mm clearance between the discharge port body and the discharge port sleeve.

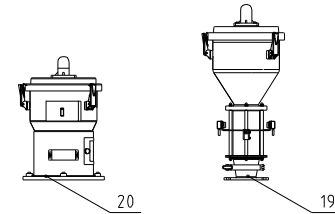
36	YW69042000200	Cross socket pan head screw GB/T 9071.1-M4x20-Longzine		1	
35	SBU-160-50S-V-A-01	Suction port	YL112	1	borrow
34	SBU-160-38S-V-A-03	Shut-off body	YL112	1	borrow
33	SBU-160-38S-V-A-10	Solenoid valve fixed block	SPCC2.0	1	borrow
32	YW63042500000	Cross socket pan head screw GB/T-818 M4x25-Longzine		2	
31	YE32421600000	Solenoid valve 4V210-06/AC220V AirTAC	Assembly	1	
30	YW69061500000	Butterfly bolt GB/T 3098 M6x15		2	
29	SBU-160-38S-V-A-05	Suction port	YL112	1	borrow
28	YW62040500000	Large cross socket flat head screw Mx5.6J1111 M4x5-Longzine		2	
27	SBU-160-38S-V-A-13	Locating pin fixed base	SUS201	1	borrow
26	YW69461600000	Manual screw M4x6x16		1	
25	YW66000500000	E-washer E5		1	
24	SBU-160-38S-V-A-14	Spring	Carbon spring steel wire	1	borrow
23	SBU-20-38S-V-A-04	Pin	Q235	1	
22	YW66081900000	Flat washer 8x19x2.0 Longzine		2	
21	YE31255000000	Cylinder MAL25x50-CA-PT AirTAC	Assembly	1	
20	SBU-160-38S-V-A-11	Cylinder fixed piece	SUS201	1	
19	SBU-160-38S-V-A-19	Diaphragm valve 63x3x10x3	SUS201	1	borrow
18	YW69081500000	Butterfly bolt GB/T 3098 M8x15		2	
17	YW66061200000	Flat washer A grade GB/T97.1 6.6x4x2x1.61-A2-70(SUS)		1	
16	YW64060401000	1-type full metal hex. lock nut GB/T6170 M6-A2-70(SUS)		1	
15	YW60081600100	Hex. bolt GB/T5783 M8x16-12.9- Longzine		2	
14	SBU-20-38S-V-A-03	Discharge port sleeve	SUS201	1	
13	YW61062500500	Inner hex. center sunk head screw GB/T713 M4x25-A2-70(SUS)		1	
12	YW66061800000	Large flat washer A GB/T96.1 6- Longzine		1	
11	SBU-20-38S-V-A-05	Hopper inner washer	SUS201	1	
10	SBU-20-38S-V-A-01	Collective body	YL112	1	
9	SBU-20-38S-V-A-06	Hopper bottom washer	SUS201	1	
8	YW66061300000	Large flat washer A GB/T96.1 6- Longzine		2	
7	SBU-160-38S-V-A-09	Shut-off port	SUS201	1	borrow
6	BH10160009710	Anti-loose nut M10x1.25M6 lock nut(SBU-160-38S-V-A-01)	Assembly	1	
5	YW68004500000	Inner hex. flat end lock screw GB/T777 M4x5- Longzine		1	
4	YW69051500000	Butterfly bolt GB/T 3098 M5x15		4	
3	SBU-160-38S-V-A-07	Air refilling port block	SUS201	1	borrow
2	SBU-20-38S-V-A-02	Discharge port body	YL112	1	
1	YW60001000000	Cutter rotating rod (with red handle)	Rubber	2	
No.	Material number	Name	Mat.	Num	Rem

Mark	Before Mod.	After Mod.	Mod. by	Date	Dra.	Ver.	Title	Drawing no.	Scale	No.
							SBU-20-38S-V	SBU-20-38S-V-A-ALL	1:4	1
							Shut-off Suction Box			Mat. Assembly
									Surface req.	
									Mat No	





处理量/处理量 Processing capacity	送料功率 Conveying blower power	干燥风功率 Drying blower power	再生电功率 Regen. heater power	仓容积/容量 Heat insulated hopper capacity	规格型号 Model version
0.2m <sup>3</sup> /min	1.5KW	0.12KW	3KW	120L	Ver E



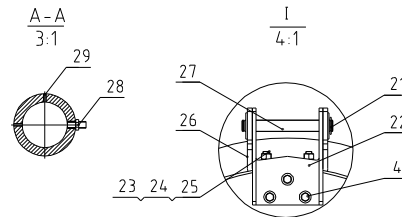
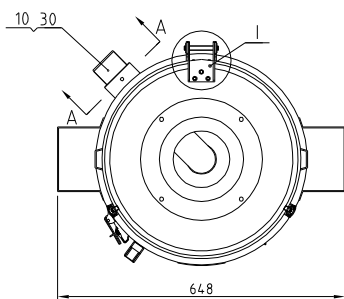
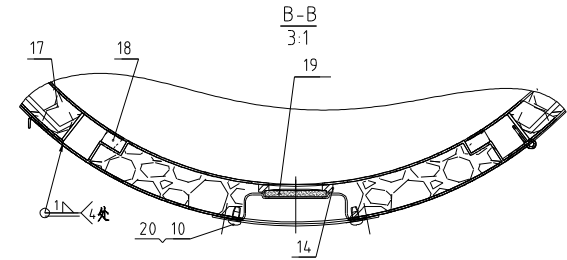
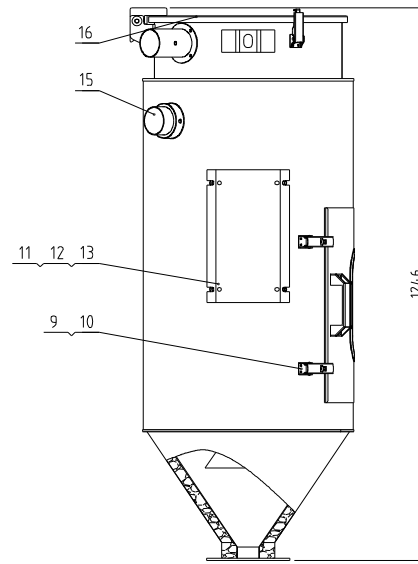
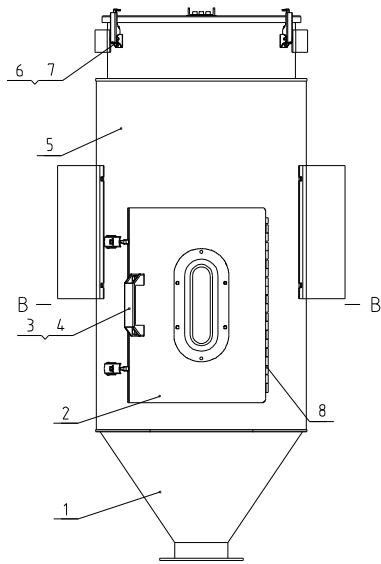
20	BY20006004150	Euro single vacuum hopper SHR-6U(4PIN)	Assembly	1	
19	BY20006002350	Standard single photosensor hopper receiver SHR-6U(4PIN)	Assembly	1	
18	YR10080000300	Fastener of filter tank SAL-800G-A-L9 rubber	Assembly	1	*
17	YR50127000000	Filter ADC1 ext 126x inner 70x H254mm	Assembly	1	*
16	YW09675100000	Small box nut 5/16	Assembly	2	
15	YR40120000100	Filter tank cover SD-120H-ALL-06	PC	1	*
14	YR10120400000	Fastener of filter tank SD-120H-ALL-04	Assembly	1	*
13	YR50708000200	Filter SAL-700/800G spiral gel fastener	Assembly	1	*
12	YW00816100000	Door lock (MS816-1 blk. with key)	Assembly	1	
11	SCD-120U/80H-A-ALL	Hopper assembly	Assembly	1	Borrowed
10	BA20002000610	Screw thread 2HP-3HP-SHP-B-06	Assembly	2	
9	BM30042000250	Shini blower RB-420 A	Assembly	1	
8	SCD-230U/120H-D-ALL	3-way diaphragm valve	Assembly	1	Borrowed
7	YR10251000000	Air exhaust pipe fastener SHD-25/100 rubber	Rubber	1	
6	BM40338000850	Blower 3"	Assembly	1	
5	YW09005800000	buckle SDP-85(SUS304)		2	
4	BH70123900150L	Pipe heater SHD-120U(3.9KW)3ø4.00V	Assembly	1	
3	SBU-20-38S-V-ALL	Shut-off suction box	Assembly	1	
2	YR40120300000	3-in-1 dust-proof plastic screen (GM120-30(12*12))	Plastic	1	
1	YM601212064.00	Exhaust fan 12x12CM/24V/50/60HZ with plastic net	Assembly	1	

\*" indicates the items that may be damaged;

Please confirm the version number of the instruction manual before placing an order to purchase spare parts, so as to ensure that the material number of spare parts is consistent with the physical one.

序号	代号	名称	材料	数量	备注
		标题 SDL-120U-HD	图号 SDL-120U-HD-ALL	比例 1:15	数量 1
		欧化热风干燥送料组合		材质	/
			表面要求		/
标记	更改前	更改后	更改人	日期	审核
				20230616	





30	SCD-120U/80H-A-06	Air exhaust pipe	SUS201	1	
29	YW68006600000	Inner hexagon flat end set screw GB/T177 M6-Longzine		2	
28	BE90300000050	Thermocouple SD-150H/400H3MMY11	Assembly	1	
27	BH10006003110	Hinge pine SAL-6U-31	SUS201	1	
26	BL02012000720	Lower hinge MHD-120U-A-11	SUS201	1	
25	YW66051200000	Flat washer A grade GB/T191 15-A2-10(SUS)		4	
24	YW60512201000	Inner hexagon cylinder screw GB/T70.1 M5x12-A2-10(SUS)		4	
23	YW64000500000	Non-metal insert hexagon nut GB/T889.1 M5		4	
22	SCD-120U/80H-A-07	Upper hinge	SUS201(3.0)	1	
21	YW66000500000	E-type washer E5		2	
20	BL02012001020	Sight-glass MHD-120U-A-07	SUS304	1	
19	YW70008000000	Sight-glass MHD-80U-A-10	Tempering glass	1	*
18	YR10012000900	Cleaning door fastener MHD-120U-A-12	Red silical gel	1	
17	YP60252000000	Epoxy glass laminate wood	Assembly	1	
16	SCD-120U/80H-A-09	Hopper cover	SUS304	1	
15	SCD-120U/80H-A-04	Lower air suction pipe assembly	SUS201	1	
14	YR10008001300	Sight-glass fastener MHD-80U-A-12	White silical gel	1	
13	YW66081900000	Flat washer A grade GB/T191 18x6x16-Longzine		8	
12	YW60082500100	Hexagon bolt GB/T5783 M6x25-12.9-Longzine		8	
11	SCD-160U/120H-A-03	Hopper fixed plate	SPCC3.0	2	Remark
10	YW62051000000	Large cross socket flat head screw JIS1111 M5x10-A2-10(SUS)		12	
9	YW09005800000	Buckle SDP-058	SUS304	2	
8	YW62041000000	Large cross socket flat head screw JIS1111 M6x10-Longzine		4	
7	YW64040700100	Non-metal insert hexagon nut GB/T889.1 M4		4	
6	YW02003000400	Adjustable spring buckle		2	
5	SCD-120U/80H-A-02	Heat insulated plate	SUSA3010.5I	1	
4	YW61061200000	Inner hex column head screw GB/T70.1 M6x12-12.9-Longzine		5	
3	BW20012000040	Aluminum square handle 120L(M6)		1	
2	SCD-120U/80H-A-03	External cleaning door	Assembly	1	
1	SCD-120U/80H-A-01	Storage Tank	Assembly	1	

\*示可能损坏的项目, 建议备份

请下单采购零件之前, 先确认说明书版本号, 以确保零件物料与实物一致。

\*"Indicates the items that may be damaged.

It is recommended to back them up

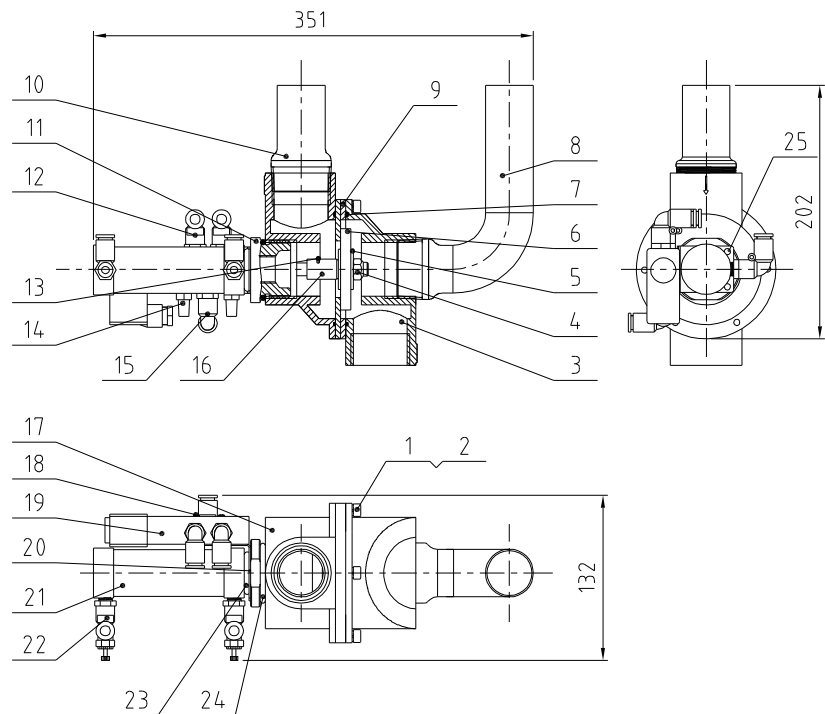
Please confirm the version number of the instruction manual before placing an order to purchase spare parts, so as to ensure that the material number of spare parts is consistent with the physical one

制图	版号	C	标题	SCD-120U/80H	图号	SCD-120U/80H-A-ALL	比例	1:10	数量	1
设计	核准		保温料桶组件							
校对	核准									
标记	更改前	更改后	更改人	日期	审核	日期				



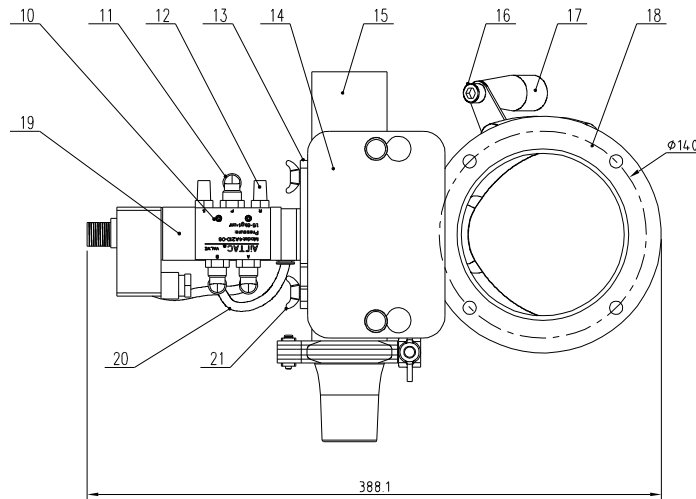
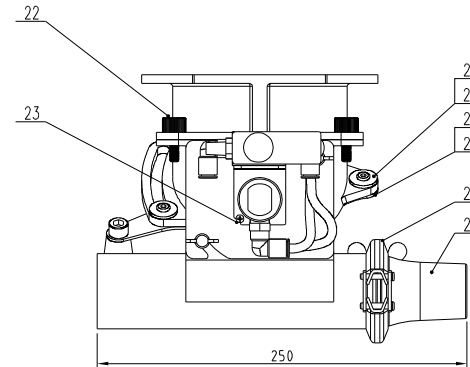
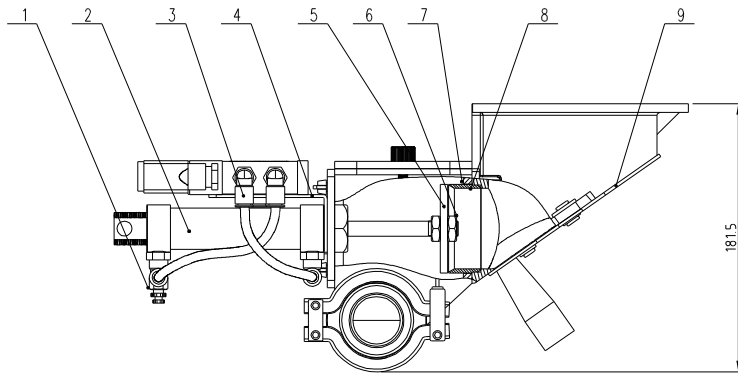
信易电热机械股份有限公司  
Shini Plastics Technologies, Inc.

表面要求  
物料号



25	YW63040600000	Cross recessed pan head screw GB/T-818 M4x6-Longzine		2	
24	YR20044800000	O-type seal ring $\phi 48 \times \phi 4$	Rubber	1	
23	YR20305000000	O-type seal ring $\phi 30 \times \phi 5$	Rubber	1	
22	YW80061800000	Adjustable air pipe connector ASL6-1/8	Assembly	2	
21	YE31125010000	Cylinder MBL25x50-U(AIRTAC)		1	
20	SAL-910G-A-07	Solenoid valve fixed piece	SPCC1.2	1	
19	YE32421600100	Solenoid valve 4V210-06 AC24V	Assembly	1	
18	YW63042500000	Cross recessed pan head screw GB/T-818 M4x25-Longzine		2	
17	BR40230700010	Upper cover SCD-230U/120H-D-07	YL112	1	
16	BH10906000110	Height increased iron rod SAL-910G-A-06	Q235A	1	
15	YW80081800100	Air pipe connector APL8-1/8	Assembly	1	
14	YW80010800000	Silencer BSL-01	Assembly	2	
13	YW68005500000	Inner hexagon flat-end set screw GB/T77 M5x5-Longzine		1	
12	YW80061800200	Air pipe connector APL6-1/8	Assembly	2	
11	BH13900700010	3-way valve connector SAL-910G-A-05	6061	1	
10	BL22900000320	Air suction pipe 2 SAL-910G-A-04	SUS201	2	
9	SCD-230U/120H-D-06	3-way valve middle flange	SPH4 0	1	
8	BL22900000120	Air suction pipe 1 SAL-910G-A-03	SUS201	1	
7	YR20258900000	O-type seal ring $\phi 89 \times \phi 2.5$ (ext. dia)	Rubber	2	
6	BR10651200040	Four way valve diaphragm 65x12x8mm cover plastics (has mould)	Assembly	1	
5	YW66103200000	Large washer A grade GB/T96 10(10.5x30x2.5)-Longzine		2	
4	YW64101100000	Hexagon locknut M10(thickness 11mm)		1	
3	BH10090000510	Valve 1 SAL-910G-A-01	YL112	1	
2	YW65006000000	Standard spring washer GB/T93 6-A2-70(SUS)		6	
1	YW61062000300	Inner hex. column head screw GB/T770.1 M6x20-12.9-Longzine		6	
序号	代号	名称	材料	数量	备注

					制图	版号	SCD-230U/120H		比例	数量
					设计	核准	三通膜片阀			材质
					校对		SCD-230U/120H-D-ALL		表面要求	
标记	更改前	更改后	更改人	日期	审核	日期	20170206	<b>SHINI</b> 信易电热机械股份有限公司 Shini Plastics Technologies, Inc.		物料号



**技术要求:**

- 1 裁料口与膜片之间留0.5mm的间隙;
- 2 序号<24>和<27>需涂少量螺丝紧固剂,防止在使用过程中脱落。

**Tech Req:**

- 1 Leave 0.5mm clearance between the shut-off port and diaphragm
- 2 Apply a small amount of screw tightening agent to the part <24> and <27> to prevent dropping during use.

29	SBU-20-38S-V-11	15' Suction port	ADC12	1	BW20152000120
28	YW07000200300	Stainless Steel punching (lamp z'		1	
27	YW614.02600100	Inner hexagon big Flat head screw YJ 4026 M5x6		2	
26	YW6304.1500000	Flat washer A grade M6-13*1mm-Longzine		2	
25	YW66081900000	Flat washer 8x19x2.0 Longzine		2	
24	YW61101300200	Flat head chamfered hexagonal clamp nut QJ/NG 1013.1 M5x12		2	
23	YW63030600000	Cross recessed pan head screw GB/T-823 M3x6		1	
22	YW69616100000	Hand screw M6*16-16		2	
21	YW690615000000	Butterfly bolt GB/T 3098 M6x15		2	
20	YR60620000100	Transparent air pipe MG1200 M(r-oll)	PU pipe	0.4	
19	YE324.21600100	Solenoid valve G/200-06/AC/24V AirTAC	Assembly	1	
18	SBU-20-38S-V-14	Collective barrel	ADC12	1	BW20203807010
17	YW06000100000	Blade rotating rod handle	Plastic	1	
16	YW61081600000	Inner hexagon cylindrical screw GB/T78.1 M6x16		1	
15	SBU-20-38S-V-07	Shut-off valve	ADC12	1	BW20203800220
14	SBU-20-38S-V-09	Sight glass	Acrylic plate	1	BR90203800410
13	SBU-20-38S-V-10	Cylinder fixed piece	SUS201	1	
12	YW80010800000	Copper muffler 1/8"	Copper	2	
11	YW80081800100	L type screw connector APJ.6-01.1/8-19	Assembly	1	
10	YW6304.2500000	Cross recessed pan head screw GB/T-818 M6x25		2	
9	SBU-20-38S-V-08	Shut-off plate	SUS201	1	
8	BH32160380010	Shut-off part SBU-160-38S-V-A-09	SUS201	1	
7	YW61061600000	Inner hexagon cylinder head screw M6x16-A2-70(SUS)		4	
6	YW64.101250000	Anti-loosening nut M10 * 125 (fine thread)		1	
5	SBU-20-38S-V-13	Diaphragm	SUS201	1	
4	SBU-20-38S-V-12	Solenoid valve fixed block	SUS201	1	
3	YW80061800200	L type screw connector APJ.6-01.1/8-06	Assembly	3	
2	YE31255000000	Cylinder MBL25*50-(A-P1 (Double-acting)	Assembly	1	
1	YW80061800000	Adjustable air pipe connector ASL.6-1/8-06	Assembly	1	

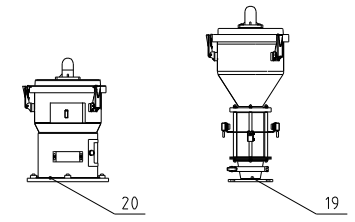
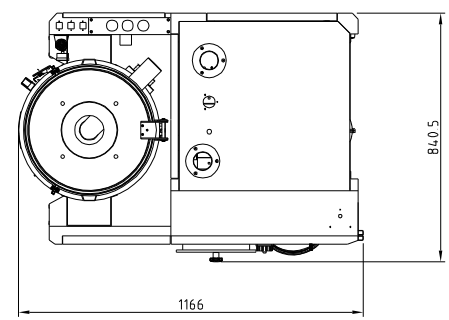
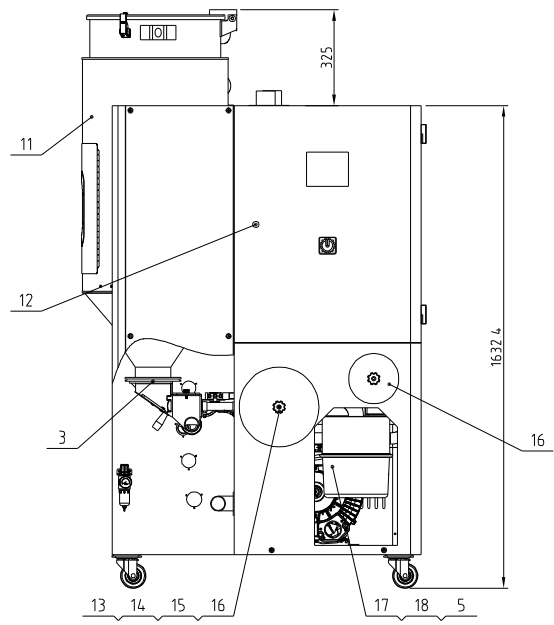
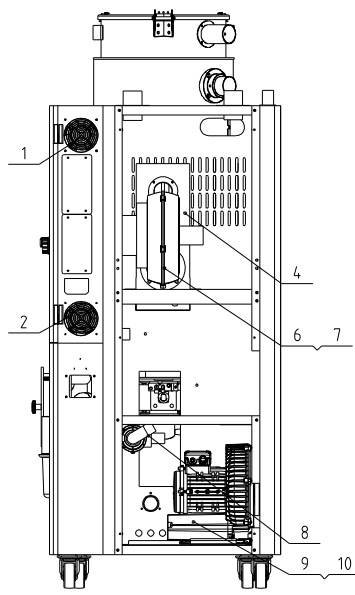
序号	代号	名称	材质	数量	备注
	标题 SBU-20-38S-V	图号 SBU-20-38S-V-ALL	比例	数量	
		裁料式吸料盒	材质		
			表面要求		
			物料号		



信易电热机械股份有限公司  
Shini Plastics Technologies, Inc.

制图	版号	标题	图号	比例	数量
		SBU-20-38S-V	SBU-20-38S-V-ALL		
设计	核准				
校对	核准				
标记	更改前	更改后	更改人	日期	审核

送粉风机电功率 Conveying blower power	干燥风机电功率 Drying blower power	再生风机电功率 Regen. heater power	保温料仓容量 Heat insulated hopper capacity	减速机型号 Model version
1.5KW	0.12KW	3.9KW	120L	Ver.E



20	BY20006004150	Euro single vacuum hopper SHR-6U(4PIN)	Assembly	1	
19	BY20000602350	Standard single photosensor hopper receiver SHR-6U(4PIN)	Assembly	1	
18	YR10080000300	Fastener of filter tank SAL-800G-A-4.9 rubber	Assembly	1	*
17	YR50127000000	Filter ADC1 ext. 126x inner 70x H254mm	Assembly	1	*
16	YW09675100000	Small box nut S/16	Assembly	2	
15	YR40120000100	Filter tank cover SD-120H-ALL-06	PC	1	*
14	YR10120400000	Fastener of filter tank SD-120H-ALL-04	Assembly	1	
13	YR50780000200	Filter SAL-700/800G sctical gel fastener	Assembly	1	*
12	YW00816100000	Door lock (MS816-1 blk. with key)	Assembly	1	
11	SCD-120U/80H-A-ALL	Heat insulated hopper assembly	Assembly	1	
10	BA20002000610	Screw thread 2HP-3HP-SHP-B-06	Assembly	2	
9	BM30042000250	Shini blower RB-420 A	Assembly	1	
8	SCD-230U/120H-D-ALL	3-way diaphragm valve	Assembly	1	
7	YR10251000000	Air exhaust pipe fastener SHD-25/100 rubber	Rubber	1	
6	BM40338000850	Blower 3"	Assembly	1	
5	YW09005800000	buckle SDP-858(SUS304)	Assembly	2	
4	BH70123900150L	Pipe heater SHD-120U(3.9KW)3ø4.00V	Assembly	1	
3	SBU-20-38S-V-ALL	Shut-off suction box	Assembly	1	
2	YR40120300000	3-in-1 dust-proof plastic screen (øM120-30(12×12))	Plastic	1	
1	YM601212064.00	Exhaust fan 120x120(W24V/50/60Hz with plastic net	Assembly	1	

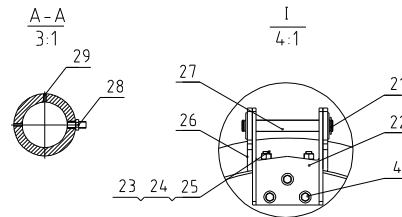
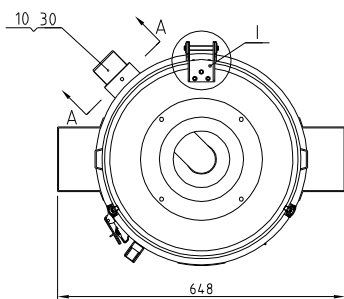
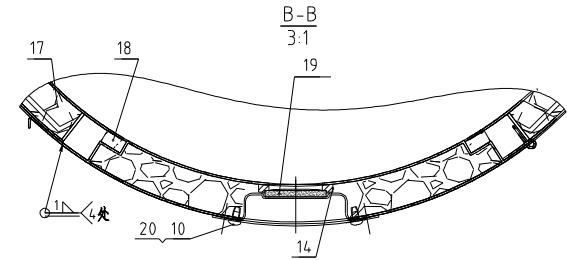
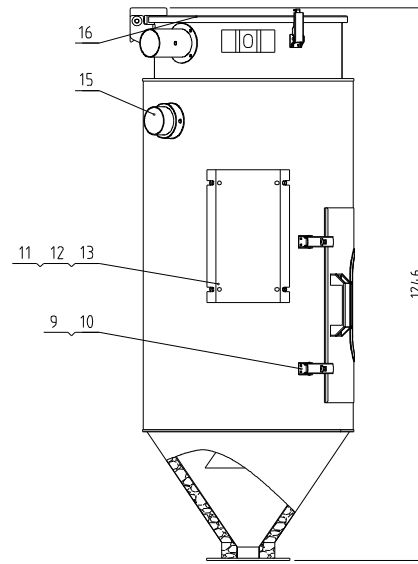
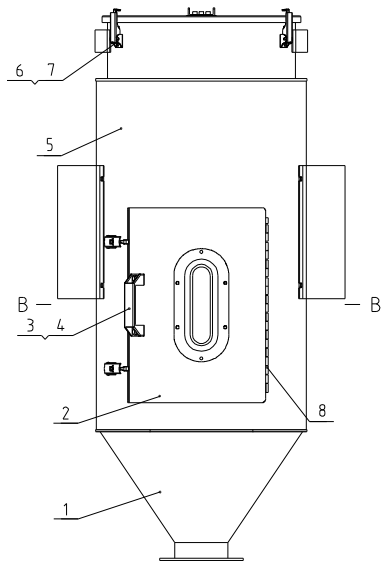
"\*"Indicates the items that may be damaged.

Please confirm the version number of the instruction manual before placing an order to purchase spare parts, so as to ensure that the material number of spare parts is consistent with the physical one.

序号	代号	名称	材料	数量	备注
		标题	图号	比例	数量
		SDL-120U	SDL-120U-ALL	1:15	1
		欧化热风干燥送料组合		材质	/
				表面要求	/
				物料号	/



制图	版号	D	标题	SDL-120U
设计	核准		图号	SDL-120U-ALL
校对	核准		比例	1:15
标记	更改前	更改后	更改人	日期
	审核		日期	



30	SCD-120U/80H-A-06	Air exhaust pipe	SUS201	1	
29	YW68006600000	Inner hexagon flat end set screw GB/T177 M6-Longzine		2	
28	BE90300000050	Thermocouple SD-150H/400H3MMY11	Assembly	1	
27	BH10006003110	Hinge pin SAL-6U-31	SUS201	1	
26	BL02012000720	Lower hinge MHD-120U-A-11	SUS201	1	
25	YW66051200000	Flat washer A grade GB/T191 15-A2-10(SUS)		4	
24	YW60512201000	Inner hexagon cylinder screw GB/T70.1 M5x12-A2-10(SUS)		4	
23	YW64000500000	Non-metal insert hexagon nut GB/T889.1 M5		4	
22	SCD-120U/80H-A-07	Upper hinge	SUS201(3.0)	1	
21	YW66000500000	E-type washer E5		2	
20	BL02012001020	Sight-glass MHD-120U-A-07	SUS304	1	
19	YW70008000000	Sight-glass MHD-80U-A-10	Tempering glass	1	*
18	YR10012000900	Cleaning door fastener MHD-120U-A-12	Red silical gel	1	
17	YP60252000000	Epoxy glass laminate wood	Assembly	1	
16	SCD-120U/80H-A-09	Hopper cover	SUS304	1	
15	SCD-120U/80H-A-04	Lower air suction pipe assembly	SUS201	1	
14	YR10008001300	Sight-glass fastener MHD-80U-A-12	White silical gel	1	
13	YW66081900000	Flat washer A grade GB/T191 18x6x16-Longzine		8	
12	YW60082500100	Hexagon bolt GB/T5783 M6x25-12.9-Longzine		8	
11	SCD-160U/120H-A-03	Hopper fixed plate	SPCC3.0	2	Remark
10	YW62051000000	Large cross socket flat head screw JIS1111 M5x10-A2-10(SUS)		12	
9	YW09005800000	Buckle SDP-058	SUS304	2	
8	YW62041000000	Large cross socket flat head screw JIS1111 M6x10-Longzine		4	
7	YW64040700100	Non-metal insert hexagon nut GB/T889.1 M4		4	
6	YW02003000400	Adjustable spring buckle		2	
5	SCD-120U/80H-A-02	Heat insulated plate	SUSA3010.5I	1	
4	YW61061200000	Inner hex column head screw GB/T70.1 M6x12-12.9-Longzine		5	
3	BW20012000040	Aluminum square handle 120L(M6)		1	
2	SCD-120U/80H-A-03	External cleaning door	Assembly	1	
1	SCD-120U/80H-A-01	Storage Tank	Assembly	1	

\*示可能损坏的项目, 建议备份

请下单采购零件之前, 先确认说明书版本号, 以确保零件物料与实物一致。

\*"Indicates the items that may be damaged.

It is recommended to back them up

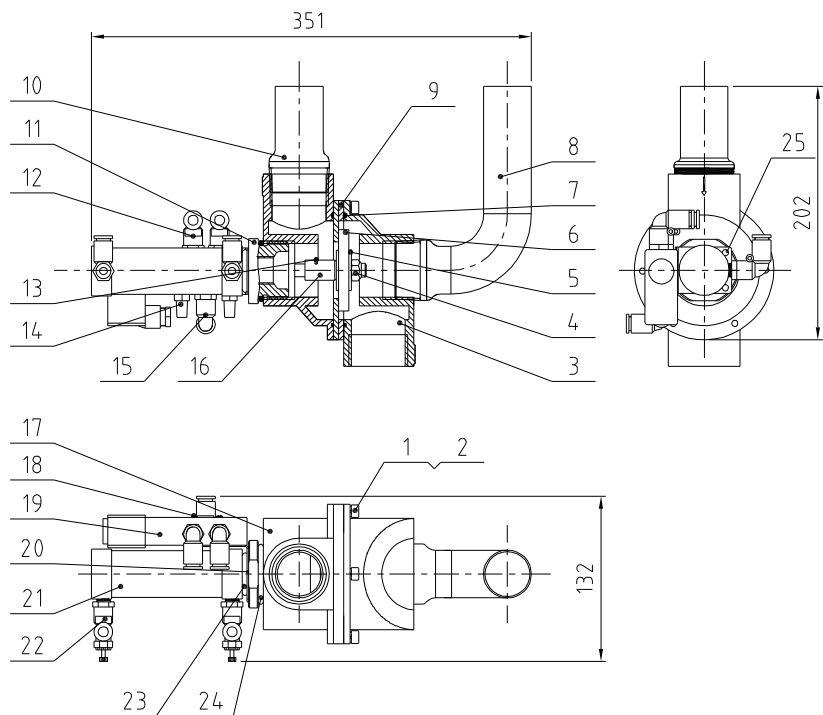
Please confirm the version number of the instruction manual before placing an order to purchase spare parts, so as to ensure that the material number of spare parts is consistent with the physical one

制图	版号	C	标题	SCD-120U/80H	图号	SCD-120U/80H-A-ALL	比例	1:10	数量	1
设计	核准		保温料桶组件				材质			
校对	核准						表面要求			
标记	更改前	更改后	更改人	日期	审核	日期	物料号			



信易电热机械股份有限公司  
Shini Plastics Technologies, Inc.

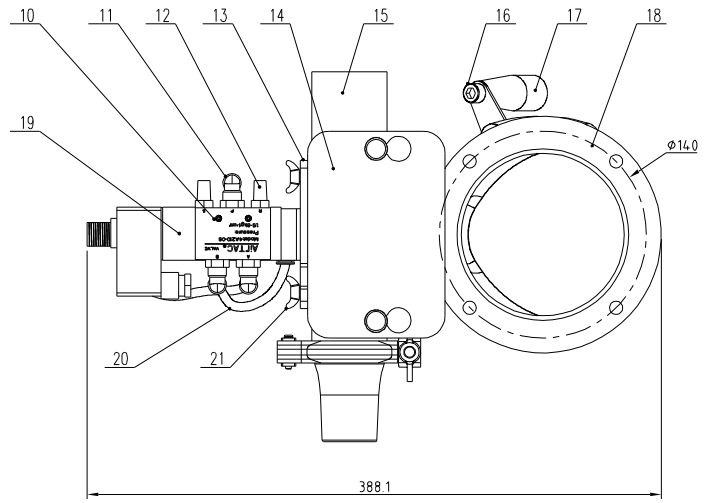
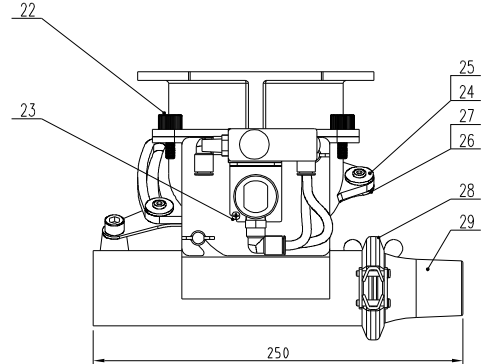
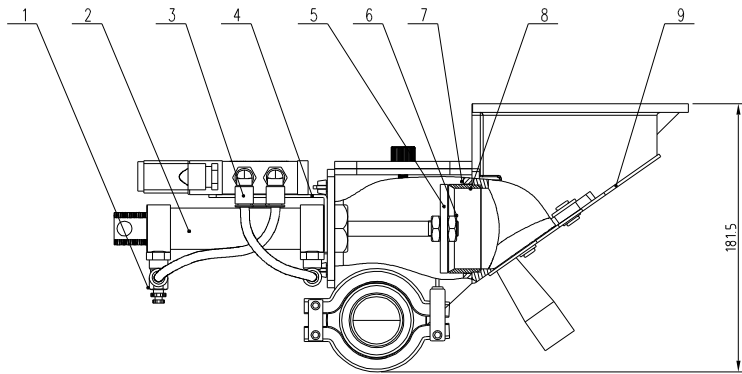




25	YW63040600000	Cross recessed pan head screw GB/T-818 M4x6-Longzine		2	
24	YR20044800000	O-type seal ring $\phi 48 \times \phi 4$	Rubber	1	
23	YR20305000000	O-type seal ring $\phi 30 \times \phi 5$	Rubber	1	
22	YW80061800000	Adjustable air pipe connector ASL6-1/8	Assembly	2	
21	YE31125010000	Cylinder MBL25x50-U(AIRTAC)		1	
20	SAL-910G-A-07	Solenoid valve fixed piece	SPCC1.2	1	
19	YE32421600100	Solenoid valve 4V210-06 AC24V	Assembly	1	
18	YW63042500000	Cross recessed pan head screw GB/T-818 M4x25-Longzine		2	
17	BR40230700010	Upper cover SCD-230U/120H-D-07	YL112	1	
16	BH10906000110	Height increased iron rod SAL-910G-A-06	Q235A	1	
15	YW80081800100	Air pipe connector APL8-1/8	Assembly	1	
14	YW80010800000	Silencer BSL-01	Assembly	2	
13	YW68005500000	Inner hexagon flat-end set screw GB/T77 M5x5-Longzine		1	
12	YW80061800200	Air pipe connector APL6-1/8	Assembly	2	
11	BH13900700010	3-way valve connector SAL-910G-A-05	6061	1	
10	BL22900000320	Air suction pipe 2 SAL-910G-A-04	SUS201	2	
9	SCD-230U/120H-D-06	3-way valve middle flange	SPH4 0	1	
8	BL22900000120	Air suction pipe 1 SAL-910G-A-03	SUS201	1	
7	YR20258900000	O-type seal ring $\phi 89 \times \phi 2.5$ (ext. dia)	Rubber	2	
6	BR10651200040	Four way valve diaphragm 65x12x8mm cover plastics (has mould)	Assembly	1	
5	YW66103200000	Large washer A grade GB/T96 10(10.5x30x2.5)-Longzine		2	
4	YW64101100000	Hexagon locknut M10(thickness 11mm)		1	
3	BH10090000510	Valve 1 SAL-910G-A-01	YL112	1	
2	YW65006000000	Standard spring washer GB/T93 6-A2-70(SUS)		6	
1	YW61062000300	Inner hex. column head screw GB/T770.1 M6x20-12.9-Longzine		6	
序号	代号	名称	材料	数量	备注

					制图		版号	
					设计		核准	
					校对		核准	
标记	更改前	更改后	更改人	日期	审核	日期	20170206	

SCD-230U/120H		SCD-230U/120H-D-ALL		比例	数量
三通膜片阀					材质
		信易电热机械股份有限公司 Shini Plastics Technologies, Inc.		表面要求	
				物料号	



**技术要求:**

- 1 裁料口与膜片之间留0.5mm的间隙;
- 2 序号<24>和<27>需涂少量螺丝紧固剂,防止在使用过程中脱落。

**Tech Req:**

- 1 Leave 0.5mm clearance between the shut-off port and diaphragm
- 2 Apply a small amount of screw tightening agent to the part <24> and <27> to prevent dropping during use.

29	SBU-20-38S-V-11	15' Suction port	ADC12	1	BW20152000120
28	YW07000200300	Stainless Steel punching (lamp z')		1	
27	YW614.02600100	Inner hexagon big Flat head screw YJ 4026 M5x6		2	
26	YW6304.1500000	Flat washer A grade M6-13*1mm-Longzine		2	
25	YW66081900000	Flat washer 8x19x2.0 Longzine		2	
24	YW61101300200	Flat head chamfered hexagonal clamp nut QJ/NG 1013.1 M5x12		2	
23	YW63030600000	Cross recessed pan head screw GB/T-823 M3x6		1	
22	YW69616100000	Hand screw M6*16-16		2	
21	YW690615000000	Butterfly bolt GB/T 3098 M6x15		2	
20	YR60620000100	Transparent air pipe MG1200 M(r-oll)	PU pipe	0.4	
19	YE324.21600100	Solenoid valve G/200-06/AC24V AirTAC	Assembly	1	
18	SBU-20-38S-V-14	Collective barrel	ADC12	1	BW20203807010
17	YW06000100000	Blade rotating rod handle	Plastic	1	
16	YW61081600000	Inner hexagon cylindrical screw GB/T78.1 M6x16		1	
15	SBU-20-38S-V-07	Shut-off valve	ADC12	1	BW20203800220
14	SBU-20-38S-V-09	Sight glass	Acrylic plate	1	BR90203800410
13	SBU-20-38S-V-10	Cylinder fixed piece	SUS201	1	
12	YW80010800000	Copper muffler 1/8"	Copper	2	
11	YW80081800100	L type screw connector APJ.6-01.1/8-19	Assembly	1	
10	YW6304.2500000	Cross recessed pan head screw GB/T-818 M6x25		2	
9	SBU-20-38S-V-08	Shut-off plate	SUS201	1	
8	BH32160380010	Shut-off part SBU-160-38S-V-A-09	SUS201	1	
7	YW61061600000	Inner hexagon cylinder head screw M6x16-A2-70(SUS)		4	
6	YW64.101250000	Anti-loosening nut M10 * 125 (fine thread)		1	
5	SBU-20-38S-V-13	Diaphragm	SUS201	1	
4	SBU-20-38S-V-12	Solenoid valve fixed block	SUS201	1	
3	YW80061800200	L type screw connector APJ.6-01.1/8-06	Assembly	3	
2	YE31255000000	Cylinder MBL25*50-(A-P1 (Double-acting))	Assembly	1	
1	YW80061800000	Adjustable air pipe connector ASL.6-1/8-06	Assembly	1	

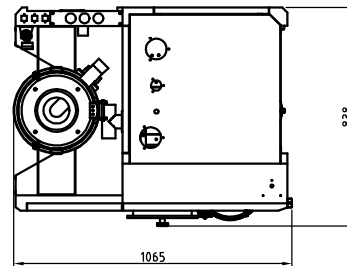
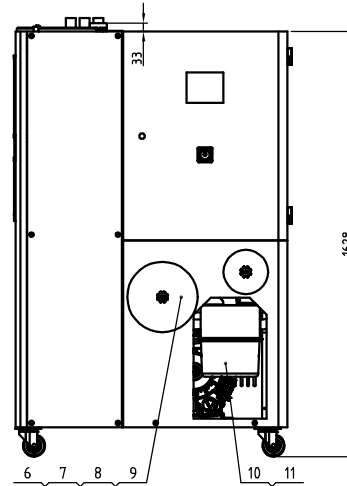
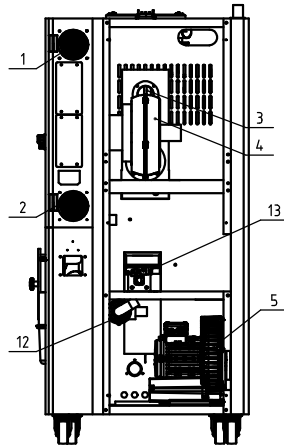
序号	代号	名称	材质	数量	备注
	标题 SBU-20-38S-V	图号 SBU-20-38S-V-ALL	比例	数量	
		裁料式吸料盒	材质		
			表面要求		
			物料号		



信易电热机械股份有限公司  
Shini Plastics Technologies, Inc.

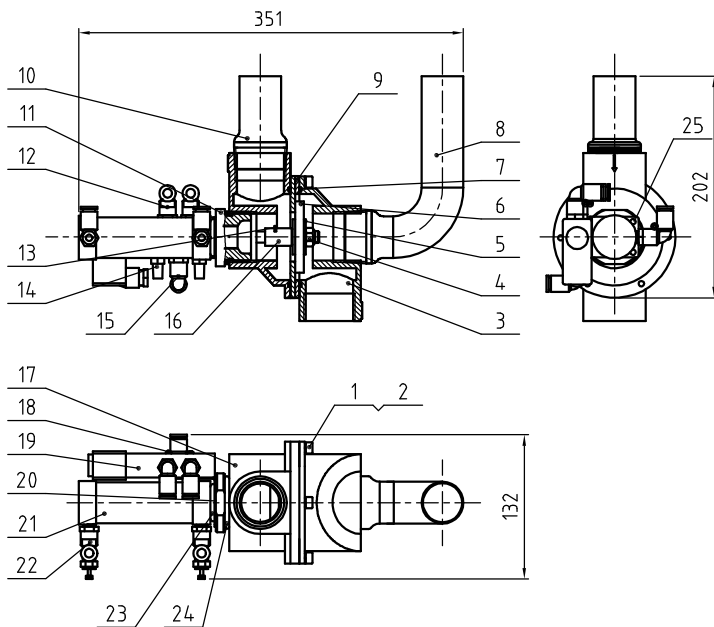
制图	版号	标题	图号	比例	数量
标记	更改前	更改后	更改人	日期	审核

Conveying blower power	Drying blower power	Heater power	Insulated hopper capacity	Model Ver.
1.5KW	0.18KW	6KW	160L	Ver.D



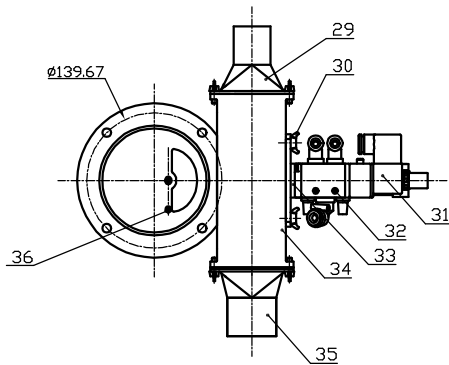
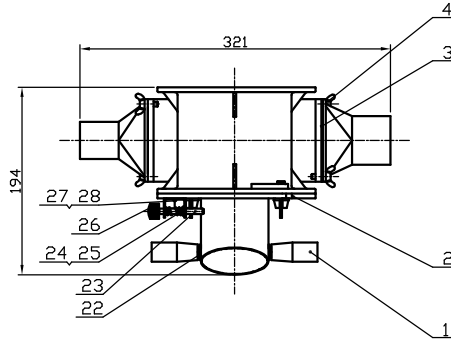
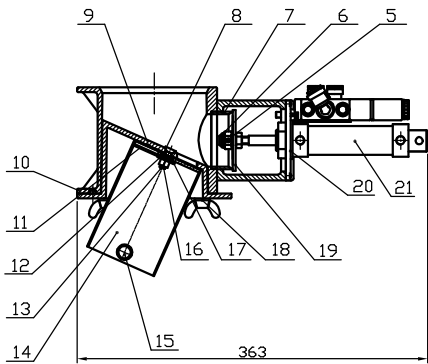
13	SBU-20-38S-V-A-ALL	Shut-off suction box	Assembly	1	
12	SCD-230U/120H-D-ALL	3-way diaphragm valve	Assembly	1	
11	YR1008000300	Filter hopper fastener SAL-800G-A-49 rubber	Assembly	1	
10	YR50127000000	Filter ADC1 ext.126xinner 70xH254mm	Assembly	1	
9	YW09675100000	Small star nut 5/16	Assembly	2	
8	BR90120500010	Filter hopper cover SD-120H-ALL-05	PC	1	
7	YR10120400000	Filter fastener SD-120H-ALL-04	Assembly	1	
6	YR50708000200	Filter SAL-700/800G fastener silica gel	Assembly	1	
5	BM30042000050	Shini blower RB-420	Assembly	1	
4	BM40000450850	Blower 4"	Assembly	1	
3	BH70230600250	Pipe heater SHD-230U(6KW)394.00V	Assembly	1	
2	YR40120300000	3-in-1 anti-dust plastic screen (RH120-3)(D-01)	Assembly	1	
1	YM60121206400	Exhaust fan 12x12CM/24V/5A/60HZ plastic screen	Assembly	1	
No.	Material number	Name	Mat.	Num	Rem

Mark	Before Mod.	After Mod.	Mod. by	Date	Dra.	Ver.	0	Title	SDL-160U	Drawing No.	SDL-160U-ALL	Scale	1/5	Qty.	1
					Check	App. by									
					App.	Date									
<b>SHINI</b> 信易電熱機械股份有限公司 Shini Plastics Technologies, Inc.											Surface Req.				
											Mat. No.				



25	YW63040600000	Cross socket pan head screw GB/T-818 M4x6-Longzine		2	
24	YR20044800000	O-type seal ring $\phi 4.8 \times \phi 4$	Rubber	1	
23	YR20305000000	O-type seal ring $\phi 30 \times \phi 5$	Rubber	1	
22	YW80061800000	Adjustable air pipe connector ASL6-1/8	Assembly	2	
21	YE31125010000	Cylinder MBL25x50-U(AIRTAC)		1	
20	SAL-910G-A-07	Solenoid valve fixed piece	SPCC1.2	1	
19	YE32421600100	Solenoid valve 4V210-06 220V	Assembly	1	
18	YW63042500000	Cross socket pan head screw GB/T-818 M4x25-Longzine		2	
17	BR40230700010	Upper cover SCD-230U/120H-D-07	YL112	1	
16	BH10906000110	Height increased iron rod SAL-910G-A-06	Q235A	1	
15	YW80081800100	Air pipe connector ASL8-1/8	Assembly	1	
14	YW80010800000	Muffer BSL-01	Assembly	2	
13	YW68005500000	Inner hex. flat end lock screw GB/177 M5x5-Longzine		1	
12	YW80061800200	Air pipe connector ASL6-1/8	Assembly	2	
11	BH13900700010	3-way valve connector SAL-910G-A-05	6061	1	
10	BL22900000320	Air suction pipe 2 SAL-910G-A-04	SUS201	2	
9	SCD-230U/120H-D-06	3-way valve middle flange	SPH4.0	1	
8	BL22900000120	Air suction pipe 1 SAL-910G-A-03	SUS201	1	
7	YR20258900000	O-type seal ring $\phi 89 \times \phi 2.5$ (ext. dia.)	Rubber	2	
6	BR10651200040	4-way valve diaphragm 65x12x8mm (has mould)	Assembly	1	
5	YW66103200000	Large washer A grade GB/T96 10/10.5x30x2.5I-Longzine		2	
4	YW64101100000	Hex. lock nut M10 (Thickness: 11mm)		1	
3	BH10090000510	Valve body 1 SAL-910G-A-01	YL112	1	
2	YW65006000000	Standard spring washer GB/T93 6-A2-70(SUS)		6	
1	YW61062000300	Inner hex. column lock screw GB/178.1 H6x20-12.9-Longzine		6	
No.	Material number	Name	Mat.	Num.	Rem.

					Draw.			Title	SCD-230U/120H	Drawing no.		Scale	1:5	Num.	1
					Desi.				Three-way Diaphragm Valve	SCD-230U/120H-D-ALL				Mat.	Assembly
					Check							Surface req.			
Mark	Before Mark	After Mod.	Modified by	Date	App.	Date	20170206		信易電熱機械股份有限公司 Shini Plastics Technologies, Inc.			Mat No.			



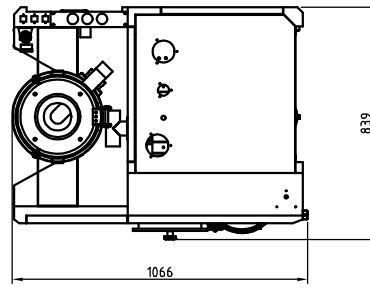
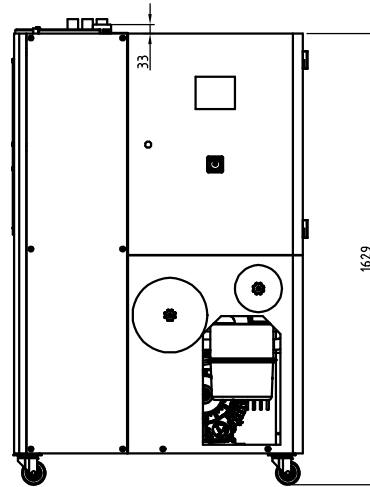
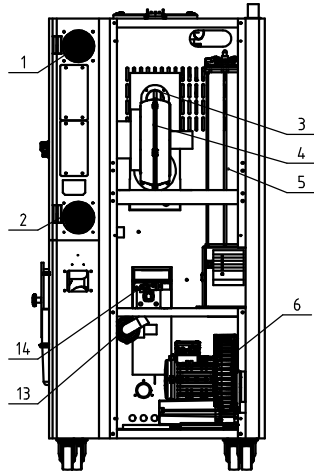
Tech. Req.  
1.If must reserve 0.5mm clearance between the discharge port body and the discharge port sleeve.

No.	Material number	Name	Mat.	Num	Rem
36	YW69042000200	Cross socket pan head screw GB/T 9174.4-M6x25-Longzine		1	
35	SBU-160-50S-V-A-01	Suction port	YL112	1	borrow
34	SBU-160-38S-V-A-03	Shut-off body	YL112	1	borrow
33	SBU-160-38S-V-A-10	Solenoid valve fixed block	SPCC2.0	1	borrow
32	YW63042500000	Cross socket pan head screw GB/T-818 M6x25-Longzine		2	
31	YE32421600000	Solenoid valve 4V210-06/AC220V AirTAC	Assembly	1	
30	YW69061500000	Butterfly ball GB/T 3098 M6x15		2	
29	SBU-160-38S-V-A-05	Suction port	YL112	1	borrow
28	YW62040500000	Large cross socket flat head screw M4x20MM M4x5-Longzine		2	
27	SBU-160-38S-V-A-13	Locating pin fixed base	SUS201	1	borrow
26	YW69461600000	Manual screw M4x6x16		1	
25	YW66000500000	E-washer E5		1	
24	SBU-160-38S-V-A-14	Spring	Carbon spring steel wire	1	borrow
23	SBU-20-38S-V-A-04	Pin	Q235	1	
22	YW66081900000	Flat washer 8x19x2.0 Longzine		2	
21	YE31255000000	Cylinder MAL25x50-CA-PT AirTAC	Assembly	1	
20	SBU-160-38S-V-A-11	Cylinder fixed piece	SUS201	1	
19	SBU-160-38S-V-A-19	Diaphragm valve $\phi 63 \times \phi 10 \times 3$	SUS201	1	borrow
18	YW69081500000	Butterfly ball GB/T 3098 M8x15		2	
17	YW66061200000	Flat washer A grade GB/T1971.416.4x12x1.61-A2-70SUS15		1	
16	YW64.0604.01000	I-type full metal hex. lock nut GB/T6186-M6-A2-70SUS15		1	
15	YW60081600100	Hex. bolt GB/T5783 M8x16-12.9-Longzine		2	
14	SBU-20-38S-V-A-03	Discharge port sleeve	SUS201	1	
13	YW61062500500	Inner hex. counter setck head screw GB/T193.3 M6x25-A2-70SUS15		1	
12	YW66061800000	Large flat washer A GB/T196.1 6-Longzine		1	
11	SBU-20-38S-V-A-05	Hopper inner washer	SUS201	1	
10	SBU-20-38S-V-A-01	Collective body	YL112	1	
9	SBU-20-38S-V-A-06	Hopper bottom washer	SUS201	1	
8	YW66061300000	Large flat washer A GB/T196.1 6-Longzine		2	
7	SBU-160-38S-V-A-09	Shut-off port	SUS201	1	borrow
6	BH10160009710	Anti-loose nut M16x1250M lock hole(SBU-160-38S-V-A-2)	Assembly	1	
5	YW68004500000	Inner hex. flat end lock screw GB/T777 M4x5-Longzine		1	
4	YW69051500000	Butterfly ball GB/T 3098 M5x15		4	
3	SBU-160-38S-V-A-07	Air refilling port block	SUS201	1	borrow
2	SBU-20-38S-V-A-02	Discharge port body	YL112	1	
1	YW06000100000	Culter rotating rod (with rod) handle	Rubber	2	


Mark	Before Mod.	After Mod.	Mod. by	Date	Dra.	Ver.	Title	Drawing no.	Scale	No.	1
					Desi.	App. by	SBU-20-38S-V Shut-off Suction Box	SBU-20-38S-V-A-ALL	1:4	Mat.	Assembly
					Check	App. by			Surface req.		
						Date			Mat No		

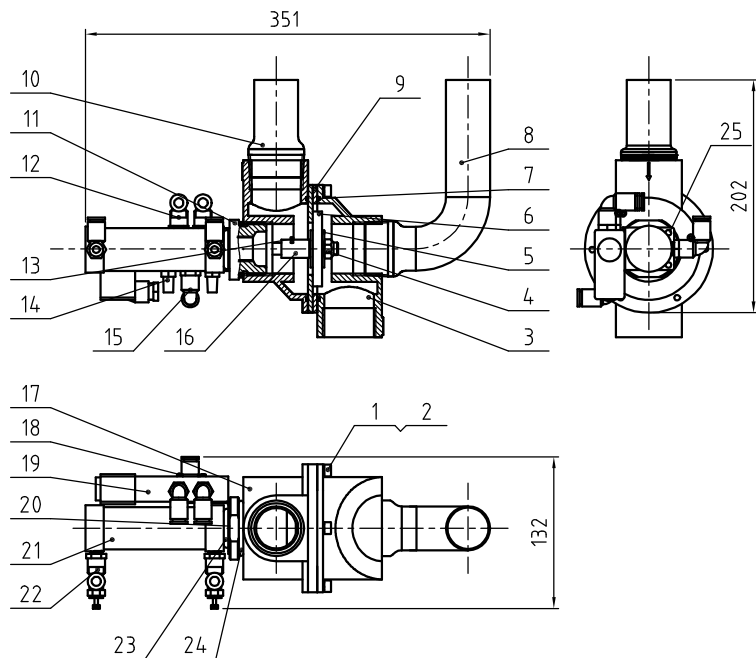


Conveying blower power	Drying blower power	Heater power	Insulated hopper capacity	Model Ver.
1.5KW	0.18KW	6KW	160L	Ver.D



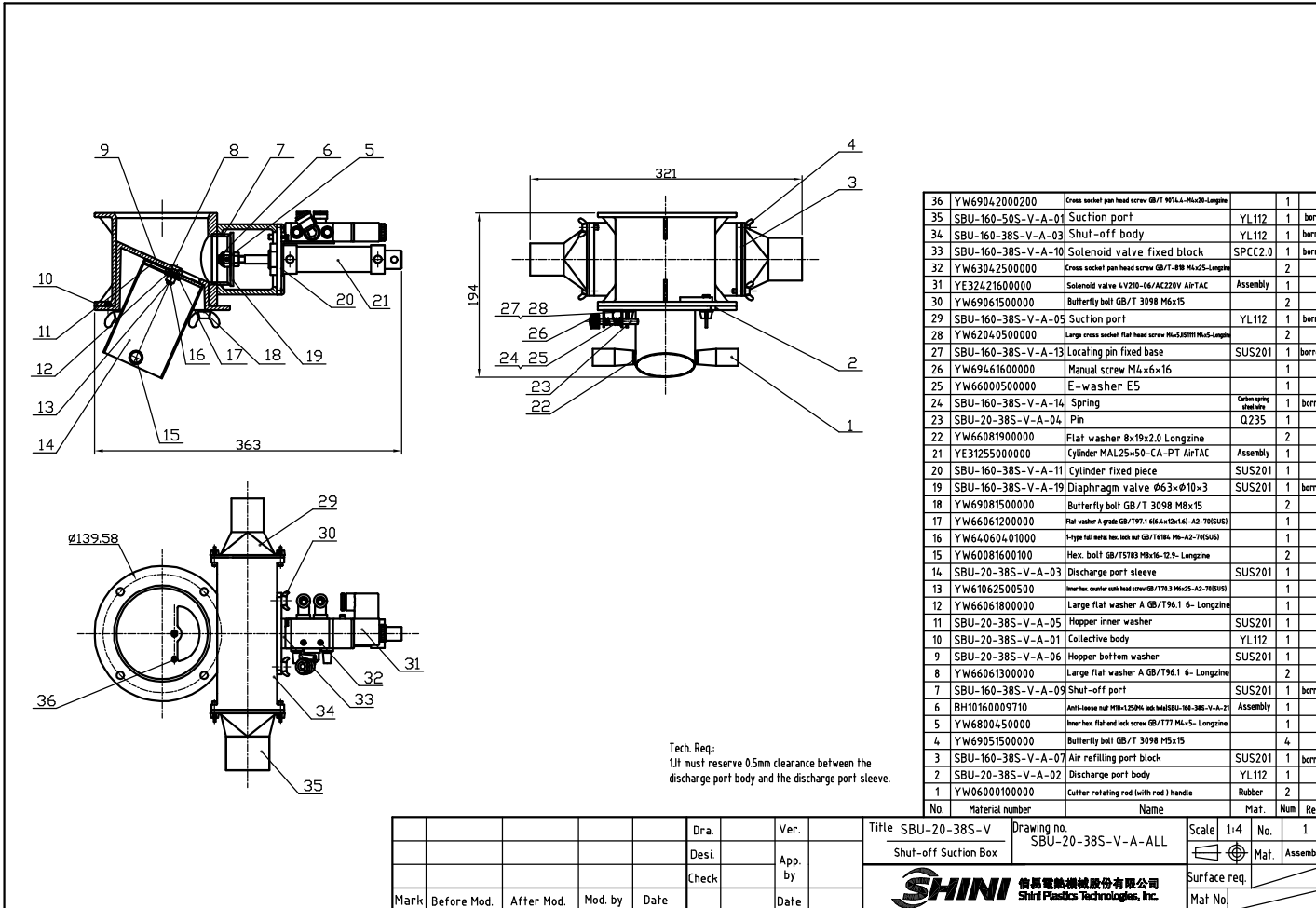
14	SBU-20-3BS-V-A-ALL	Shut-off suction box	Assembly	1	
13	SCD-230U/120H-D-ALL	3-way diaphragm valve	Assembly	1	
12	YR10080000300	Filter hopper fastener SAL-800G-A-49 rubber	Assembly	1	
11	YR50127000000	Filter ADC1 ext.126xinner 70xH254mm	Assembly	1	
10	YW09675100000	Small star nut 5/16	Assembly	2	
9	BR90120500010	Filter hopper cover SD-120H-ALL-05	PC	1	
8	YR10120400000	Filter fastener SD-120H-ALL-04	Assembly	1	
7	YR50708000200	Filter SAL-700/800G fastener silica gel	Assembly	1	
6	BM30042000050	Shini blower RB-42D	Assembly	1	
5	BY90206600050	Heatless Dehumidifying Dryer HAD-0206-06-1	Assembly	1	
4	BM40000450850	Blower 4"	Assembly	1	
3	BH70230600250	Pipe heater SHD-230U(6KW)3M400V	Assembly	1	
2	YR40120300000	3-in-1 anti-dust plastic screen (PM2.5-PM10)	Plastics	1	
1	YM60121206400	Exhaust fan 12x12CM/24V/50/60HZ plastic screen	Assembly	1	
No.	Material number	Name	Mat.	Num	Rem

					Dra.		Ver.	0	Title	SDL-160U	Drawing No.		Scale	1:15	Qty.	1
					Desi.		App.			Drying Loader	SDL-160U-HD-ALL					
					Check		App.									
Mark	Before Mod.	After Mod.	Mod. by	Date	App.		Date	2016	 <b>信易電熱機械股份有限公司</b> <b>Shini Plastics Technologies, Inc.</b>			Surface Req.				
												Mat. No.				



25	YW63040600000	Cross socket pan head screw GB/T-818 M4x6-Longzine		2	
24	YR20044800000	O-type seal ring $\phi 48 \times \phi 4$	Rubber	1	
23	YR20305000000	O-type seal ring $\phi 30 \times \phi 5$	Rubber	1	
22	YW80061800000	Adjustable air pipe connector ASL6-1/8	Assembly	2	
21	YE31125010000	Cylinder MBL25x50-U(AIRTAC)		1	
20	SAL-910G-A-07	Solenoid valve fixed piece	SPCC1.2	1	
19	YE32421600100	Solenoid valve 4V210-06 220V	Assembly	1	
18	YW63042500000	Cross socket pan head screw GB/T-818 M4x25-Longzine		2	
17	BR40230700010	Upper cover SCD-230U/120H-D-07	YL112	1	
16	BH10906000110	Height increased iron rod SAL-910G-A-06	Q235A	1	
15	YW80081800100	Air pipe connector ASL8-1/8	Assembly	1	
14	YW80010800000	Muffer BSL-01	Assembly	2	
13	YW68005500000	Inner hex. flat end lock screw GB/T177 M5x5-Longzine		1	
12	YW80061800200	Air pipe connector ASL6-1/8	Assembly	2	
11	BH13900700010	3-way valve connector SAL-910G-A-05	6061	1	
10	BL22900000320	Air suction pipe 2 SAL-910G-A-04	SUS201	2	
9	SCD-230U/120H-D-06	3-way valve middle flange	SPH4.0	1	
8	BL22900000120	Air suction pipe 1 SAL-910G-A-03	SUS201	1	
7	YR20258900000	O-type seal ring $\phi 89 \times \phi 2.5$ (ext. dia.)	Rubber	2	
6	BR10651200040	4-way valve diaphragm 65x12x8mm (has mould)	Assembly	1	
5	YW66103200000	Large washer A grade GB/T96 10(10.5x30x2.5)-Longzine		2	
4	YW64101100000	Hex. lock nut M10 (Thickness: 11mm)		1	
3	BH10090000510	Valve body 1 SAL-910G-A-01	YL112	1	
2	YW65006000000	Standard spring washer GB/T93 6-A2-70(SUS)		6	
1	YW61062000300	Inner hex. column lock screw GB/T70.1 M6x20-12.9-Longzine		6	
No.	Material number	Name	Mat.	Num.	Rem.

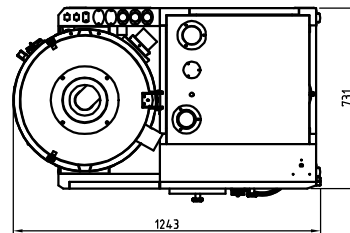
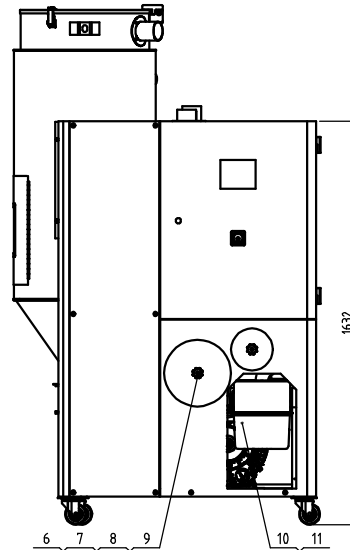
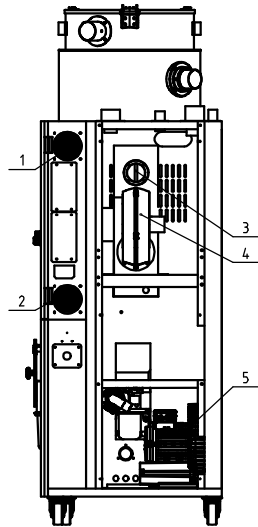
					Draw.		Ver.		Title	SCD-230U/120H	Drawing no.	Scale	1:5	Num.	1
					Desi.		App.			Three-way Diaphragm Valve	SCD-230U/120H-D-ALL		Mat.	Assembly	
					Check		by					Surface req.			
Mark	Before Mark	After Mod.	Modified by.	Date	App.	Date	20170206			信易電熱機械股份有限公司	Shini Plastics Technologies, Inc.	Mat No.			



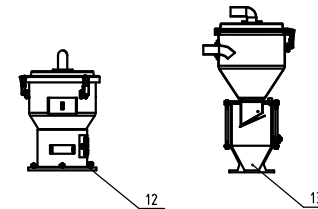
36	YW69042000200	Cross socket pan head screw GB/T 9174-L-M6x28-Longline		1	
35	SBU-160-50S-V-A-01	Suction port	YL112	1	borrow
34	SBU-160-38S-V-A-03	Shut-off body	YL112	1	borrow
33	SBU-160-38S-V-A-10	Solenoid valve fixed block	SPCC2.0	1	borrow
32	YW63042500000	Cross socket pan head screw GB/T-#98 M6x25-Longline		2	
31	YE32421600000	Solenoid valve LV210-06/AC220V AirTAC	Assembly	1	
30	YW69061500000	Butterfly bolt GB/T 3098 M6x15		2	
29	SBU-160-38S-V-A-05	Suction port	YL112	1	borrow
28	YW62040500000	Large cross socket flat head screw M6x50mm M6x5-Longline		2	
27	SBU-160-38S-V-A-13	Locating pin fixed base	SUS201	1	borrow
26	YW69461600000	Manual screw M4x6x16		1	
25	YW66000500000	E-washer E5		1	
24	SBU-160-38S-V-A-14	Spring	Carbon spring flat wire	1	borrow
23	SBU-20-38S-V-A-04	Pin	Q235	1	
22	YW66081900000	Flat washer 8x19x2.0 Longzine		2	
21	YE31255000000	Cylinder MAL25x50-CA-PT AirTAC	Assembly	1	
20	SBU-160-38S-V-A-11	Cylinder fixed piece	SUS201	1	
19	SBU-160-38S-V-A-19	Diaphragm valve 63x63x10	SUS201	1	borrow
18	YW69081500000	Butterfly bolt GB/T 3098 M8x15		2	
17	YW66061200000	Flat washer A grade GB/T97.1 6x6x12x1.6-A2-70(SUS)		1	
16	YW64060401000	I-type flat metal hex lock nut GB/T6170 M6-A2-70(SUS)		1	
15	YW60081600100	Hex. bolt GB/T5783 M6x16-12.9- Longzine		2	
14	SBU-20-38S-V-A-03	Discharge port sleeve	SUS201	1	
13	YW61062500500	Inner hex counter sunk head screw GB/T783 M6x25-A2-70(SUS)		1	
12	YW66061800000	Large flat washer A GB/T96.1 6- Longzine		1	
11	SBU-20-38S-V-A-05	Hopper inner washer	SUS201	1	
10	SBU-20-38S-V-A-01	Collective body	YL112	1	
9	SBU-20-38S-V-A-06	Hopper bottom washer	SUS201	1	
8	YW66061300000	Large flat washer A GB/T96.1 6- Longzine		2	
7	SBU-160-38S-V-A-03	Shut-off port	SUS201	1	borrow
6	BH10160009710	Anti-loose nut M6x12.9M6 hex headSBU-160-38S-V-A-03	Assembly	1	
5	YW68004500000	Inner hex. flat and lock screw GB/T777 M6x5- Longzine		1	
4	YW69051500000	Butterfly bolt GB/T 3098 M5x15		4	
3	SBU-160-38S-V-A-07	Air refilling port block	SUS201	1	borrow
2	SBU-20-38S-V-A-02	Discharge port body	YL112	1	
1	YW06000100000	Cutter rotating rod (with rod 3 handle)	Rubber	2	
No.	Material number	Name	Mat.	Num	Rem

Mark	Before Mod.	After Mod.	Mod. by	Date	Dra.	Ver.	App. by	Date	Title	Drawing no.	Scale	1/4	No.	1
					Desi.		App. by		SBU-20-38S-V	SBU-20-38S-V-A-ALL	Mat.	Assembly		
					Check				Shut-off Suction Box		Surface req.			
									<b>SHINI</b> 信昌電熱機械股份有限公司	Shini Plastics Technologies, Inc.	Mat No			



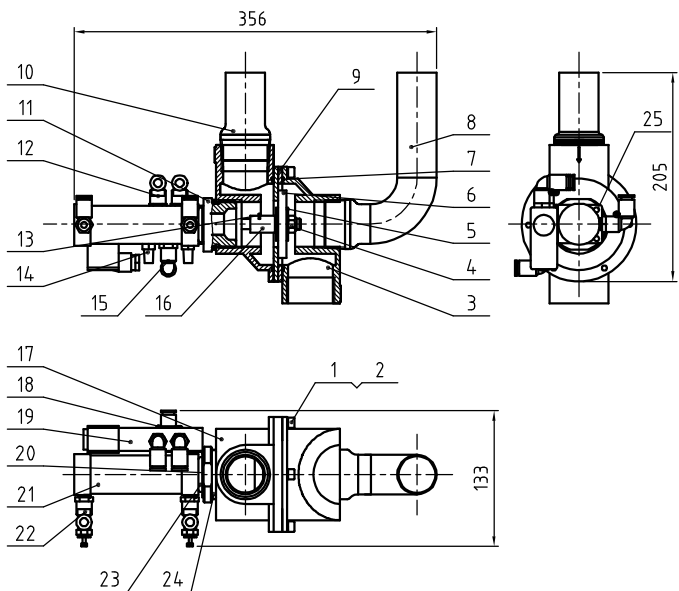


Conveying blower power	Drying blower power	Heating case power	Required flow	Inlet air pipe	Return air pipe	Drying hopper capacity	Model version
1.5KW	0.12KW	6KW	0.5m³/min	3inch	3inch	230L	Ver.D



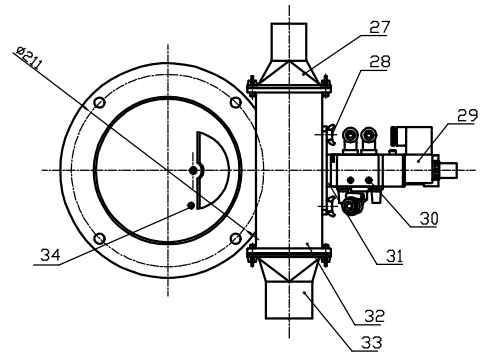
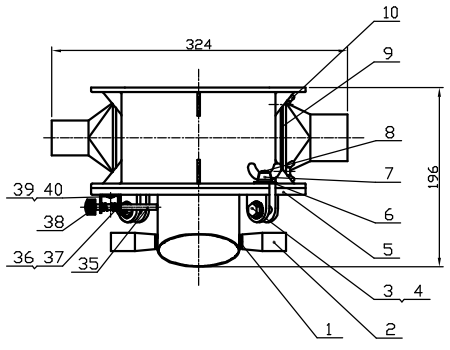
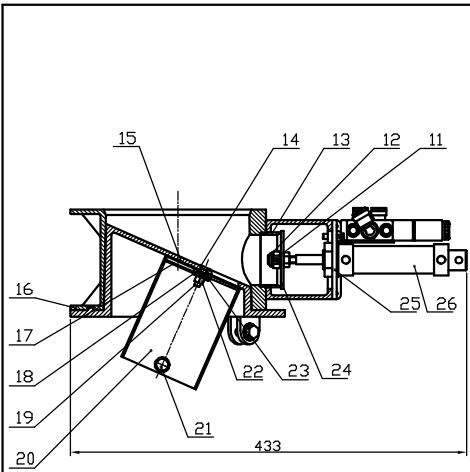
13	BY20001240150	Standard single photosensor hopper receiver snc-usum	Assembly	1	
12	BY20012004350	Euro vacuum hopper receiver SR-120H-PM	Assembly	1	
11	YR10080000300	Filter barrel fastener SAL-80HG-A-49 rubber	Assembly	1	
10	YR50127000000	Filter ADC1 ext. 126xinner 70x H 254mm	Assembly	1	
9	YW09675100000	Small nut 5/16	Assembly	2	
8	BR90120500010	Filter barrel cover SD-120H-ALL-05	PC	1	
7	YR10120400000	Filter barrel fastener SD-120H-ALL-04	Assembly	1	
6	YR50708000200	Filter SAL-100/80G fastener rubber silica gel	Assembly	1	
5	BM30042000050	Shini blower RB-420	Assembly	1	
4	BM40000450850	Blower 4"	Assembly	1	
3	BH70230600250	Pipe heater SHD-230U/6KW/394-00V	Assembly	1	
2	YR40120300000	3-in-1 anti-dust plastic screen GRMDS-301Q-12	Plastics	1	
1	YM60121206400	Exhaust fan 10x100/24V/AC/50/40HZ with plastic screen	Assembly	1	

制图		版号		标题		图号		比例		数量		备注	
设计		核准		硫化热风干燥送料组合		SDL-230U-ALL		1:15		1			
校对								表面要求					
标记		更改前		更改后		更改人		日期		审核		日期	
								SHINI 信昌电热机械股份有限公司				物料号	
								Shini Plastics Technologies, Inc.					



25	YW63040600000	Cross socket pan head screw GB/T-818 M4x6-Longzine		2	
24	YR20044800000	O-type seal ring $\phi 48 \times \phi 4$	Rubber	1	
23	YR20305000000	O-type seal ring $\phi 30 \times \phi 5$	Rubber	1	
22	YW80061800000	Adjustable air pipe connector ASL6-1/8	Assembly	2	
21	YE31125010000	Cylinder MBL25x50-U(AIRTAC)		1	
20	SAL-910G-A-07	Solenoid valve fixed piece	SPCC1.2	1	
19	YE32421600100	Solenoid valve 4V210-06 220V	Assembly	1	
18	YW63042500000	Cross socket pan head screw GB/T-818 M4x25-Longzine		2	
17	BR40230700010	Upper cover SCD-230U/120H-D-07	YL112	1	
16	BH10906000110	Height increased iron rod SAL-910G-A-06	Q235A	1	
15	YW80081800100	Air pipe connector ASL8-1/8	Assembly	1	
14	YW80010800000	Muffer BSL-01	Assembly	2	
13	YW68005500000	Inner hex. flat end lock screw GB/T77 M5x5-Longzine		1	
12	YW80061800200	Air pipe connector ASL6-1/8	Assembly	2	
11	BH13900700010	3-way valve connector SAL-910G-A-05	6061	1	
10	BL22900000320	Air suction pipe 2 SAL-910G-A-04	SUS201	2	
9	SCD-230U/120H-D-06	3-way valve middle flange	SPH4.0	1	
8	BL22900000120	Air suction pipe 1 SAL-910G-A-03	SUS201	1	
7	YR20258900000	O-type seal ring $\phi 89 \times \phi 2.5$ (ext. dia.)	Rubber	2	
6	BR10651200040	4-way valve diaphragm 65x12x8mm (has mould)	Assembly	1	
5	YW66103200000	Large washer A grade GB/T96 10/10.5x30x2.5-Longzine		2	
4	YW64101100000	Hex. lock nut M10 (Thickness: 11mm)		1	
3	BH100900000510	Valve body 1 SAL-910G-A-01	YL112	1	
2	YW65006000000	Standard spring washer GB/T93 6-A2-70(SUS)		6	
1	YW61062000300	Inner hex. column lock screw GB/T70.1 M6x20-12.9-Longzine		6	
No.	Material number	Name	Mat.	Num.	Rem.

					Draw.	Ver.	Title	Drawing no.	Scale	1:5	Num.	1
					Desi.	App.	Three-way Diaphragm Valve	SCD-230U/120H-D-ALL			Mat.	Assembly
					Check	by		信易電熱機械股份有限公司 Shini Plastics Technologies, Inc.	Surface req.			
Mark	Before Mark	After Mod.	Modified by	Date	App.	Date			20170206	Mat No.		

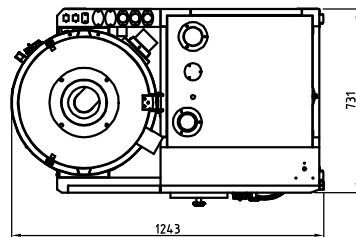
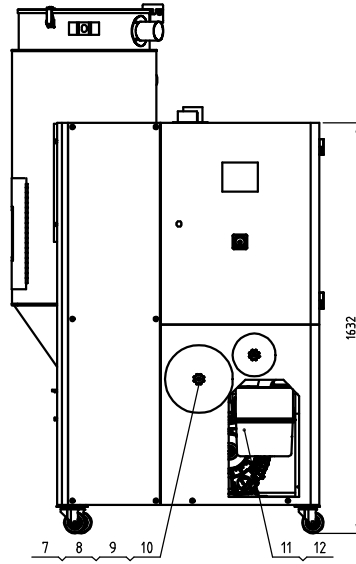
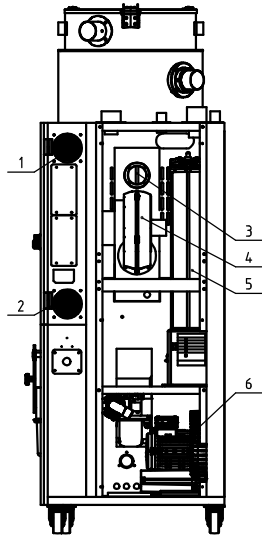


Tech. Req:  
1)I must reserve 0.5mm clearance between the discharge port body and the discharge port sleeve.

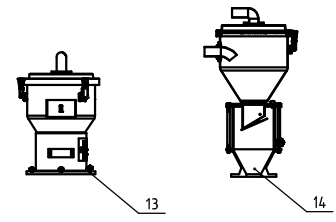
40	YW62040500000	Large cross socket flat head screw JIS1111 M4x5-Longzine		2	
39	SBU-160-38S-V-A-13	Locating pin fixed base	SUS201	1	
38	YW69461600000	Manual screw M4x6x16		1	
37	YW66000500000	E-washer E5		1	
36	SBU-160-38S-V-A-14	Spring	65Mn	1	
35	SBU-160-38S-V-A-15	Pin	Q235	1	
34	YW69042000200	Cross socket pan head screw GB/T 9974.4-M4x20-Longzine		1	
33	SBU-160-50S-V-A-01	Suction port	YL112	1	borrow
32	SBU-160-38S-V-A-03	Shut-off body	YL112	1	
31	SBU-160-38S-V-A-10	Solenoid valve fixed block	SPCC2.0	1	
30	YW63042500000	Cross socket pan head screw GB/T-8B M4x25-Longzine		2	
29	YE32421600000	Solenoid valve LY210-06/AC220V AirTAC	Assembly	1	
28	YW69061500000	Butterfly ball GB/T 3098 M6x15		2	
27	SBU-160-38S-V-A-05	Suction port	YL112	1	
26	YE31255000000	ARTAC cylinder MAL-CA 25x50	Assembly	1	
25	SBU-160-38S-V-A-11	Cylinder fixed piece	SUS201	1	
24	SBU-160-38S-V-A-19	Diaphragm φ63xφ10x3		1	
23	YW66061200000	Flat washer A grade GB/T97.1 416.4x12x161-A2-70(SUS)		1	
22	YW64060401000	Hex full metal hex lock nut GB/T16196 M6-A2-70(SUS)		1	
21	YW60081600100	Hex. ball GB/T5783 M6x4-A8- Longzine		2	
20	SBU-160-38S-V-A-04	Discharge port sleeve	SUS201	1	
19	YW61062500500	Inner hex counter sunk head screw GB/T76.3 M6x25-A2-70(SUS)		1	
18	YW66061800000	Large flat washer A GB/T96.1 6- Longzine		1	
17	SBU-160-38S-V-A-17	Hopper inner washer	SUS201	1	
16	SBU-160-38S-V-A-01	Collective body	YL112	1	
15	SBU-160-38S-V-A-18	Hopper bottom washer	SUS201	1	
14	YW66061300000	Large flat washer A GB/T96.1 6- Longzine		2	
13	SBU-160-38S-V-A-09	Shut-off port	SUS201	1	
12	BH10160009710	Anti-loose nut M10x1.25PM lock headSBU-160-38S-V-A-21	Assembly	1	
11	YW68004500000	Inner hex flat end lock screw GB/T77 M4x5- Longzine		1	
10	YW69051500000	Butterfly ball GB/T 3098 M5x15		4	
9	SBU-160-38S-V-A-07	Air refilling port block	SUS201	1	
8	YW09051600100	Sf air rod 5/16(SBU-160-38S-V-22)		2	
7	YW69051600000	Butterfly cap 5/16"		2	
6	YW66081900000	Flat washer 8x19x2.0- Longzine		6	
5	SBU-160-38S-V-A-02	Discharge port	YL112	1	
4	YW64080600000	Hex. nut GB/16170 M8- Longzine		2	
3	YW60083000100	Hex. bolt GB/T5783 M8x30-8.8-Longzine		2	
2	YW06000100000	Cutter rotating rod (with rod handle)	Plastics	2	
1	YW66081900000	Flat washer 8x19x2.0- Longzine		2	
No.	Material number	Name	Mat.	Num	Rem

Mark	Before Mod.	After Mod.	Mod. by	Date	App.	Date					

Title SBU-160-38S-V		Drawing no. SBU-160-38S-V-A-ALL		Scale 1:4	No. 1
		Shut-off Suction Box		Mat. Assembly	
		信基電機機械股份有限公司 SHINI PLASTICS TECHNOLOGIES, INC.		Surface req	
				Mat No	



Conveying blower power	Drying blower power	Heating case power	Required flow	Inlet air pipe	Return air pipe	Drying hopper capacity	Model version
1.5KW	0.12KW	6KW	0.5m³/min	3inch	3inch	230L	Ver.D

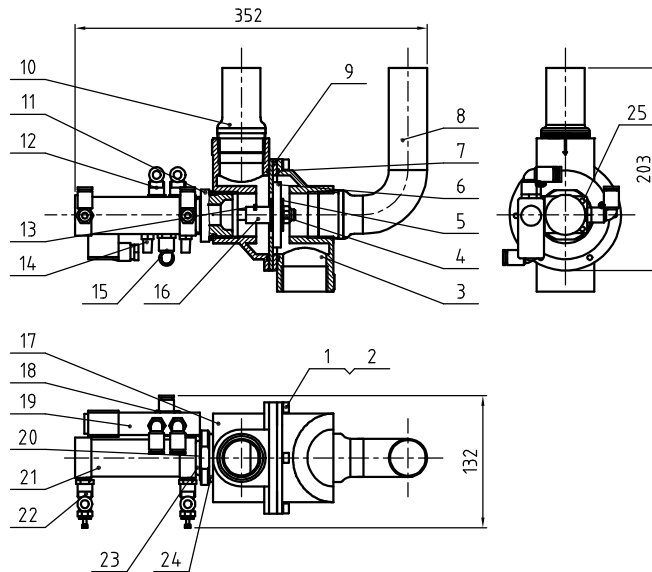


14	BY2000124.0150	Standard single photoconer hopper receiver SHI-M30RWE	Assembly	1
13	BY20012004.350	Euro vacuum hopper receiver SHI-120AUPW	Assembly	1
12	YR10080000300	Filter barrel fastener SAL-800G-A-49 rubber	Assembly	1
11	YR50127000000	Filter ADC1 ext. 126xinner 70x H 25mm	Assembly	1
10	YW09675100000	Small nut 5/16	Assembly	2
9	BR90120500010	Filter barrel cover SD-120H-ALL-05	PC	1
8	YR101204.00000	Filter barrel fastener SD-120H-ALL-04	Assembly	1
7	YR50708000200	Filter SAL-700/80G fastener rubber silica gel	Assembly	1
6	BM30042000050	Shini blower RB-420	Assembly	1
5	BY90035600050	Heatless regenerative air dryer HAD-0356-06-1	Assembly	1
4	BM40000450850	Blower 4"	Assembly	1
3	BH70230600250	Pipe heater SHD-230U6KW1304.00V	Assembly	1
2	YR40120300000	3-in-1 anti-dust plastic screen (GH100-3M12-01)	Plastics	1
1	YM60121206400	Exhaust fan (B1020V/24VAC/50/40HZ with plastic screen	Assembly	1

标题	SDI-230U	图号	SDI-230U-HD-ALL	比例	1:15	数量	1
设计		校核		表面要求		材质	
标记	更改前	更改后	更改人	日期	审核	日期	

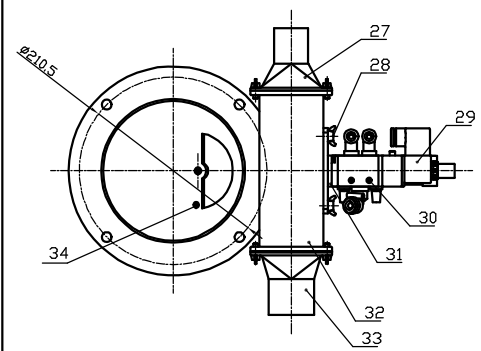
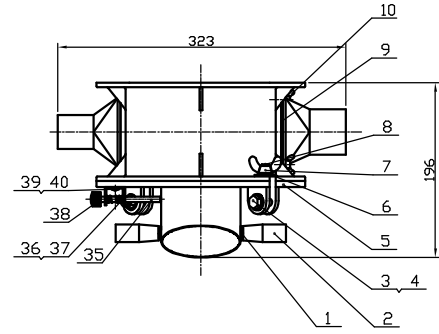
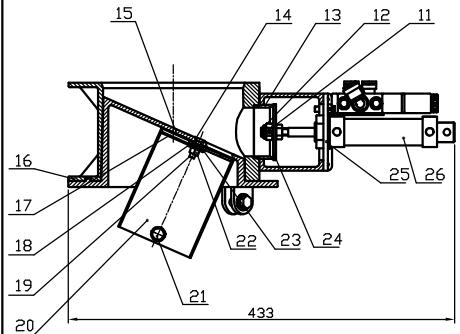


物料号



25	YW63040600000	Cross socket pan head screw GB/T-818 M4x6-Longzine		2	
24	YR20044800000	O-type seal ring $\phi 4.8 \times \phi 4$	Rubber	1	
23	YR20305000000	O-type seal ring $\phi 30 \times \phi 5$	Rubber	1	
22	YW80061800000	Adjustable air pipe connector ASL6-1/8	Assembly	2	
21	YE31125010000	Cylinder MBL25x50-U(AIRTAC)		1	
20	SAL-910G-A-07	Solenoid valve fixed piece	SPCC1.2	1	
19	YE32421600100	Solenoid valve 4V210-06 220V	Assembly	1	
18	YW63042500000	Cross socket pan head screw GB/T-818 M4x25-Longzine		2	
17	BR4.0230700010	Upper cover SCD-230U/120H-D-07	YL112	1	
16	BH10906000110	Height increased iron rod SAL-910G-A-06	Q235A	1	
15	YW80081800100	Air pipe connector ASL8-1/8	Assembly	1	
14	YW80010800000	Muffer BSL-01	Assembly	2	
13	YW68005500000	Inner hex. flat end lock screw GB/T171 M5x5-Longzine		1	
12	YW80061800200	Air pipe connector ASL6-1/8	Assembly	2	
11	BH13900700010	3-way valve connector SAL-910G-A-05	6061	1	
10	BL22900000320	Air suction pipe 2 SAL-910G-A-04	SUS201	2	
9	SCD-230U/120H-D-06	3-way valve middle flange	SPH4.0	1	
8	BL22900000120	Air suction pipe 1 SAL-910G-A-03	SUS201	1	
7	YR20258900000	O-type seal ring $\phi 89 \times \phi 2.5$ (ext. dia.)	Rubber	2	
6	BR1065120004.0	4-way valve diaphragm 65x12x8mm (has mould)	Assembly	1	
5	YW66103200000	Large washer A grade GB/T96 10(10.5x30x2.5)-Longzine		2	
4	YW64101100000	Hex. lock nut M10 (Thickness-1mm)		1	
3	BH10090000510	Valve body 1 SAL-910G-A-01	YL112	1	
2	YW65006000000	Standard spring washer GB/T93 6-A2-70(SUS)		6	
1	YW61062000300	Inner hex. column lock screw GB/T161 M6x20-12.9-Longzine		6	
No.	Material number	Name	Mat.	Num.	Rem.

					Draw.	Ver.	Title	Drawing no.	Scale	1:5	Num.	1
					Desi.	App.	SCD-230U/120H	SCD-230U/120H-D-ALL			Mat.	Assembly
					Check	by	Three-way Diaphragm Valve			Surface req.		
Mark	Before Mark	After Mod.	Modified by	Date	App.	Date	20170206	<b>信易電熱機械股份有限公司</b> <b>Shini Plastics Technologies, Inc.</b>	Mat. No.			



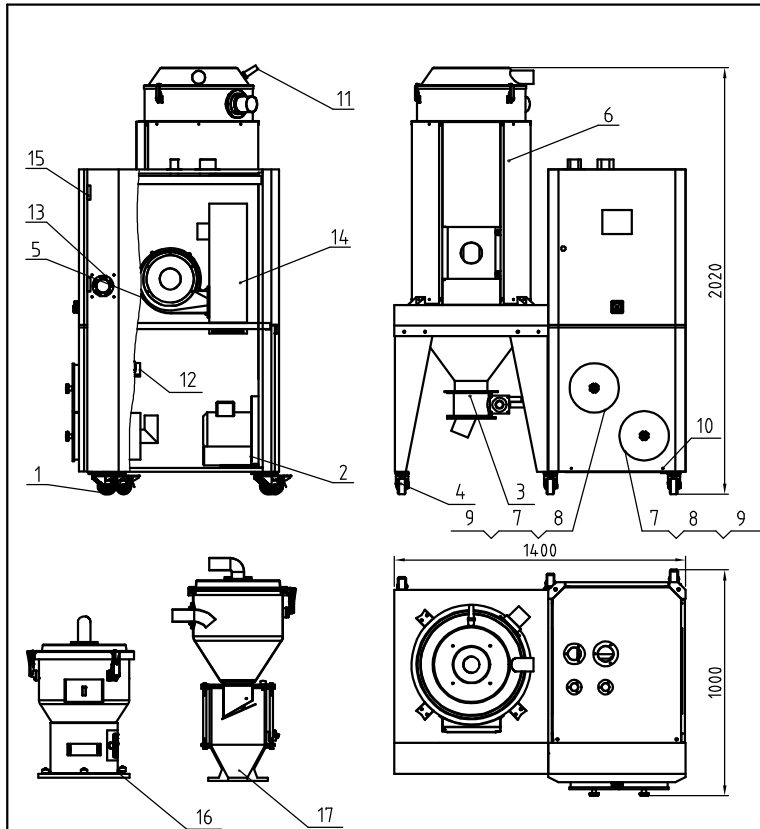
Tech. Req:  
1.If must reserve 0.5mm clearance between the discharge port body and the discharge port sleeve.

40	YW62040500000	Large cross socket flat head screw JIS1111 M4x5-Longzine		2	
39	SBU-160-38S-V-A-13	Locating pin fixed base	SUS201	1	
38	YW69461600000	Manual screw M4x6x16		1	
37	YW66000500000	E-washer E5		1	
36	SBU-160-38S-V-A-14	Spring	65Mn	1	
35	SBU-160-38S-V-A-15	Pin	Q235	1	
34	YW69042000200	Cross socket pan head screw GB/T 9074.4-M4x20-Longzine		1	
33	SBU-160-50S-V-A-01	Suction port	YL112	1	borrow
32	SBU-160-38S-V-A-03	Shut-off body	YL112	1	
31	SBU-160-38S-V-A-10	Solenoid valve fixed block	SPCC2.0	1	
30	YW63042500000	Cross socket pan head screw GB/T-818 M4x25-Longzine		2	
29	YE324-21600000	Solenoid valve 4V200-04/AC220V AirTAC	Assembly	1	
28	YW69061500000	Butterfly ball GB/T 3098 M6x15		2	
27	SBU-160-38S-V-A-05	Suction port	YL112	1	
26	YE31255000000	ARTAL cylinder MAL-CA 25x50	Assembly	1	
25	SBU-160-38S-V-A-11	Cylinder fixed piece	SUS201	1	
24	SBU-160-38S-V-A-19	Diaphragm $\varnothing 63 \times \varnothing 10 \times 3$	SUS201	1	
23	YW66061200000	Flat washer A grade GB/T97.1 66.4x12x1.61-A2-70(SUS)		1	
22	YW64060401000	1-type flat metal hex lock nut GB/T6184 M6-A2-70(SUS)		1	
21	YW60081600100	Hex. bolt GB/T5783 M6x16-4.8-Longzine		2	
20	SBU-160-38S-V-A-04	Discharge port sleeve	SUS201	1	
19	YW61062500500	Inner hex counter sink head screw GB/T1023 M6x25-A1-70(SUS)		1	
18	YW66061800000	Large flat washer A GB/T96.1 6-Longzine		1	
17	SBU-160-38S-V-A-17	Hopper inner washer	SUS201	1	
16	SBU-160-38S-V-A-01	Collective body	YL112	1	
15	SBU-160-38S-V-A-18	Hopper bottom washer	SUS201	1	
14	YW66061300000	Large flat washer A GB/T96.1 6-Longzine		2	
13	SBU-160-38S-V-A-09	Shut-off port	SUS201	1	
12	BH10160009710	Anti-loose nut M10x1.250% lock head/SBU-160-38S-V-A-21	Assembly	1	
11	YW68004500000	Inner hex. flat end lock screw GB/T77 M4x5-Longzine		4	
10	YW69051500000	Butterfly ball GB/T 3098 M5x15		1	
9	SBU-160-38S-V-A-07	Air refilling port block	SUS201	1	
8	YW09051600100	Star rod 5/16(SBU-160-38S-V-22)		2	
7	YW69051600000	Butterfly cap 5/16"		2	
6	YW66081900000	Flat washer 8x19x2.0-Longzine		6	
5	SBU-160-38S-V-A-02	Discharge port	YL112	1	
4	YW64080600000	Hex. nut GB/T6170 M8-Longzine		2	
3	YW60083000100	Hex. bolt GB/T5783 M8x30-8.8-Longzine		2	
2	YW06000100000	Cutter rotating rod (with rod) handle	Plastics	2	
1	YW66081900000	Flat washer 8x19x2.0-Longzine		2	

Mark	Before Mod.	After Mod.	Mod. by	Date	Dra.	Ver.	App. by	Date

No.	Material number	Name	Mat.	Num	Rem
Title		Drawing no.	Scale	No.	1
SBU-160-38S-V		SBU-160-38S-V-A-ALL	1:4	Mat.	Assembly
Shut-off Suction Box				Surface req.	
				Mat No	





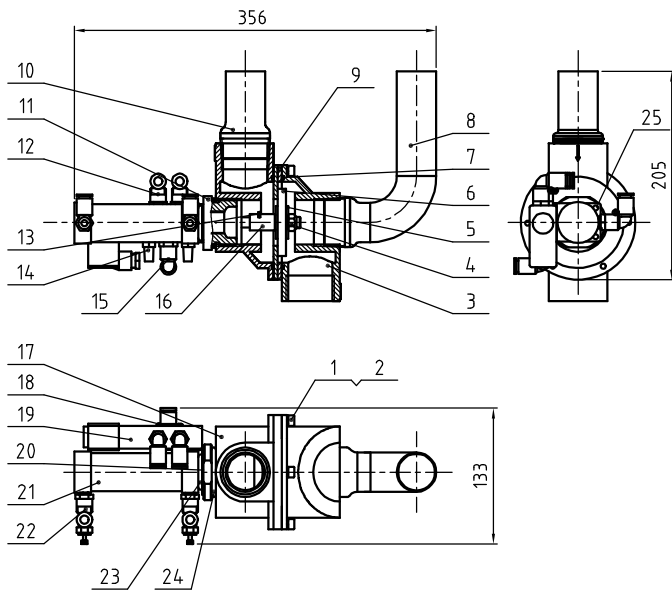
Conveying blower power	Drying Mover power	Heating case power	Required flow	Inlet air pipe	Return air pipe	Drying hopper capacity	Model version
1.5KW	0.18KW	12KW	0.6m <sup>3</sup> /min	3inch	2.5inch	300L	Ver.D

17	BY20001240150	Standard single photosensor hopper receiver SPS-12U(10W)	Assembly	1	
16	BY20012004350	Euro vacuum hopper receiver SHR-12U(4PIN)	Assembly	1	
15	YW06203100200	Door hinge (L 203-16right)		2	
14	BH70301200150	Pipe heater (12kw)		1	
13	YM60121206400	Exhaust fan 12x12CM/24VA		1	
12	SCD-230U/120H-D-ALL	Three way diaphragm valve		1	
11	YW80000400300	Copper silencer BSL-04	Assembly	1	
10	YW63064500000	Crus recessed pan head screw GB/T 4819c45		2	
9	BR90120500010	SD-120H-ALL-05-0 filter hopper cover	PC	2	
8	YR50203000100	Filter SD-200/300 Large	Assembly	1	
7	YR50708000100	Filter SAL-700/800G	Assembly	1	
6	BY10030000550	Euro heat insulated hopper DH-300U	Assembly	1	
5	BM4.0538000850	Blower 5"	Assembly	1	
4	YW03000300200	Movable castor	Assembly	3	
3	SBU-160-38S-V-A-ALL	Shut-off suction box	Assembly	1	
2	BM3004.2000050	Conveying blower (2HP)	Assembly	1	
1	YW03000300000	Brake castor	Assembly	3	
序号	代号	名称	材质	数量	备注

					制图	版号
					设计	核准
					校对	核准
标记	更改前	更改后	更改人	日期	审核	日期

标题	SDL-300U 欧化热风干燥送料组合	图号	SDL-300U-A-ALL	比例	1:25	数量	1
				表面要求			
				物料号			



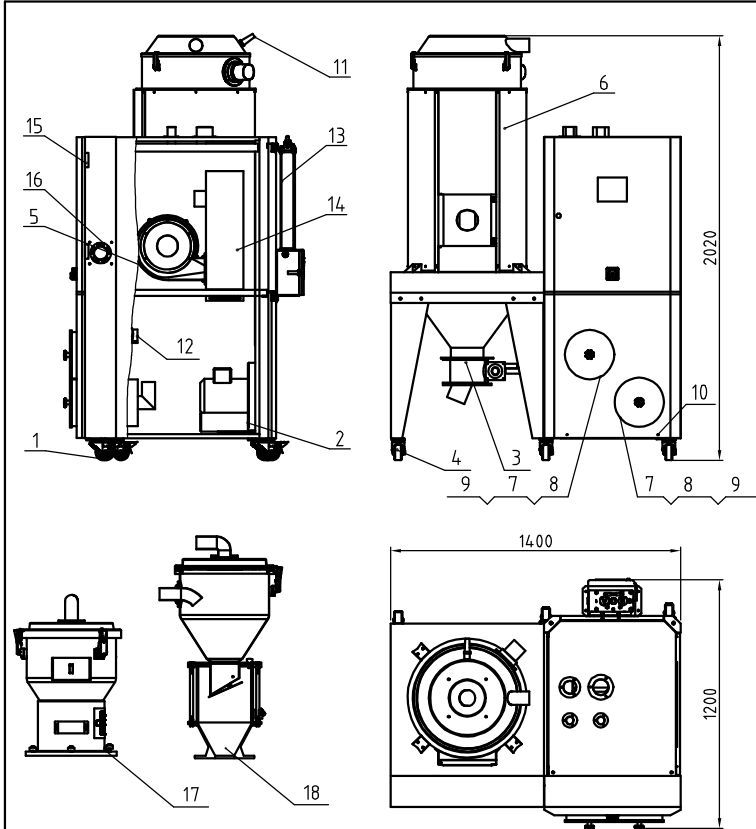


No.	Material number	Name	Mat.	Num.	Rem.
25	YW63040600000	Cross socket pan head screw GB/T-818 M4x6-Longzine		2	
24	YR20044800000	O-type seal ring $\phi 4.8 \times \phi 4$	Rubber	1	
23	YR20305000000	O-type seal ring $\phi 30 \times \phi 5$	Rubber	1	
22	YW80061800000	Adjustable air pipe connector ASL6-1/8	Assembly	2	
21	YE31125010000	Cylinder MBL25x50-U(AIRTAC)		1	
20	SAL-910G-A-07	Solenoid valve fixed piece	SPCC12	1	
19	YE32421600100	Solenoid valve 4V210-06 220V	Assembly	1	
18	YW63042500000	Cross socket pan head screw GB/T-818 M4x25-Longzine		2	
17	BR4.0230700010	Upper cover SCD-230U/120H-D-07	YL112	1	
16	BH10906000110	Height increased iron rod SAL-910G-A-06	Q235A	1	
15	YW80081800100	Air pipe connector ASL8-1/8	Assembly	1	
14	YW80010800000	Muffer BSL-01	Assembly	2	
13	YW68005500000	Inner hex. flat end lock screw GB/T177 M5x5-Longzine		1	
12	YW80061800200	Air pipe connector ASL6-1/8	Assembly	2	
11	BH13900700010	3-way valve connector SAL-910G-A-05	6061	1	
10	BL22900000320	Air suction pipe 2 SAL-910G-A-04	SUS201	2	
9	SCD-230U/120H-D-06	3-way valve middle flange	SPH4.0	1	
8	BL22900000120	Air suction pipe 1 SAL-910G-A-03	SUS201	1	
7	YR20258900000	O-type seal ring $\phi 89 \times \phi 2.5$ (ext. dia.)	Rubber	2	
6	BR10651200040	4-way valve diaphragm 65x12x8mm (has mould)	Assembly	1	
5	YW66103200000	Large washer A grade GB/T96 10/10 5x30x2.5J-Longzine		2	
4	YW64101100000	Hex. lock nut M10 (Thickness: 11mm)		1	
3	BH10090000510	Valve body 1 SAL-910G-A-01	YL112	1	
2	YW65006000000	Standard spring washer GB/T93 6-A2-70(SUS)		6	
1	YW61062000300	Inner hex. column lock screw GB/T118.1 M6x20-12.9-Longzine		6	

					Draw.	Ver.	Title	Drawing no.	Scale	1:5	Num.	1
					Desi.	App.	Three-way Diaphragm Valve	SCD-230U/120H-D-ALL			Mat.	Assembly
					Check	by				Surface req.		
Mark	Before Mark	After Mod.	Modified by.	Date	App.	Date	20170206	<b>信易電熱機械股份有限公司</b> <b>Shini Plastics Technologies, Inc.</b>		Mat No.		





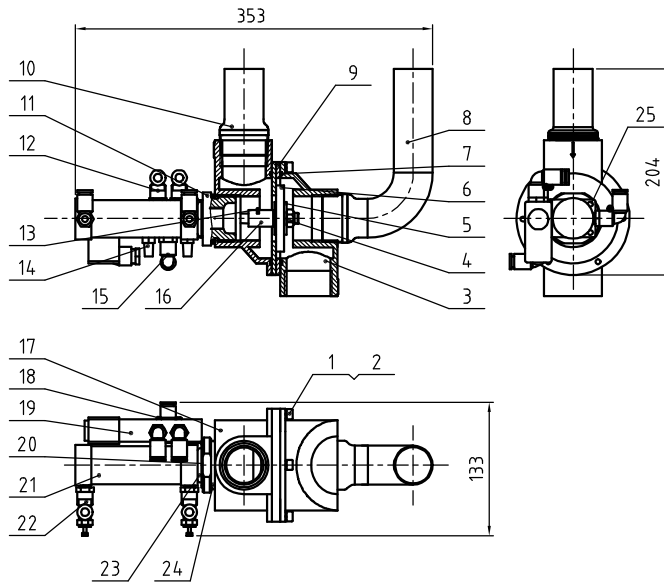


Conveying blower power	Drying blower power	Heating case power	Required flow	Inlet air pipe	Return air pipe	Drying hopper capacity	Model version
1.5KW	0.18KW	12KW	0.6m <sup>3</sup> /min	3inch	2.5inch	300L	Ver.D

序号	代号	名称	材质	数量	备注
18	BY20001240150	Standard single photoresistor hopper receiver SYH-1A (LPH)	Assembly	1	
17	BY20012004350	Euro vacuum hopper receiver SR-120(LPH)	Assembly	1	
16	YM60121206400	Exhaust fan 12x12CM/24VA		1	
15	YW06203100200	Door hinge CL 243-1(right)		2	
14	BH70301200150	Pipe heater (12kw)		1	
13	BY90035600050	Heatless dehumidification regenerative dryer		1	
12	SCD-230U/120H-D-ALL	Three way diaphragm valve		1	
11	YW80000400300	Copper silencer BSL-04	Assembly	1	
10	YW63064500000	Cross recessed pan head screw GB/T-48 Hex45		2	
9	BR90120500010	SD-120H-ALL-05-0 filter hopper cover	PC	2	
8	YR50203000100	Filter SD-200/300 Large	Assembly	1	
7	YR50708000100	Filter SAL-700/800G	Assembly	1	
6	BY10030000550	Euro heat insulated hopper DH-300U	Assembly	1	
5	BM40538000850	Blower 5"	Assembly	1	
4	YW03000300200	Movable castor	Assembly	3	
3	SBU-160-38S-V-A-ALL	Shut-off suction box	Assembly	1	
2	BM30042000050	Conveying blower (2HP)	Assembly	1	
1	YW03000300000	Brake castor	Assembly	3	

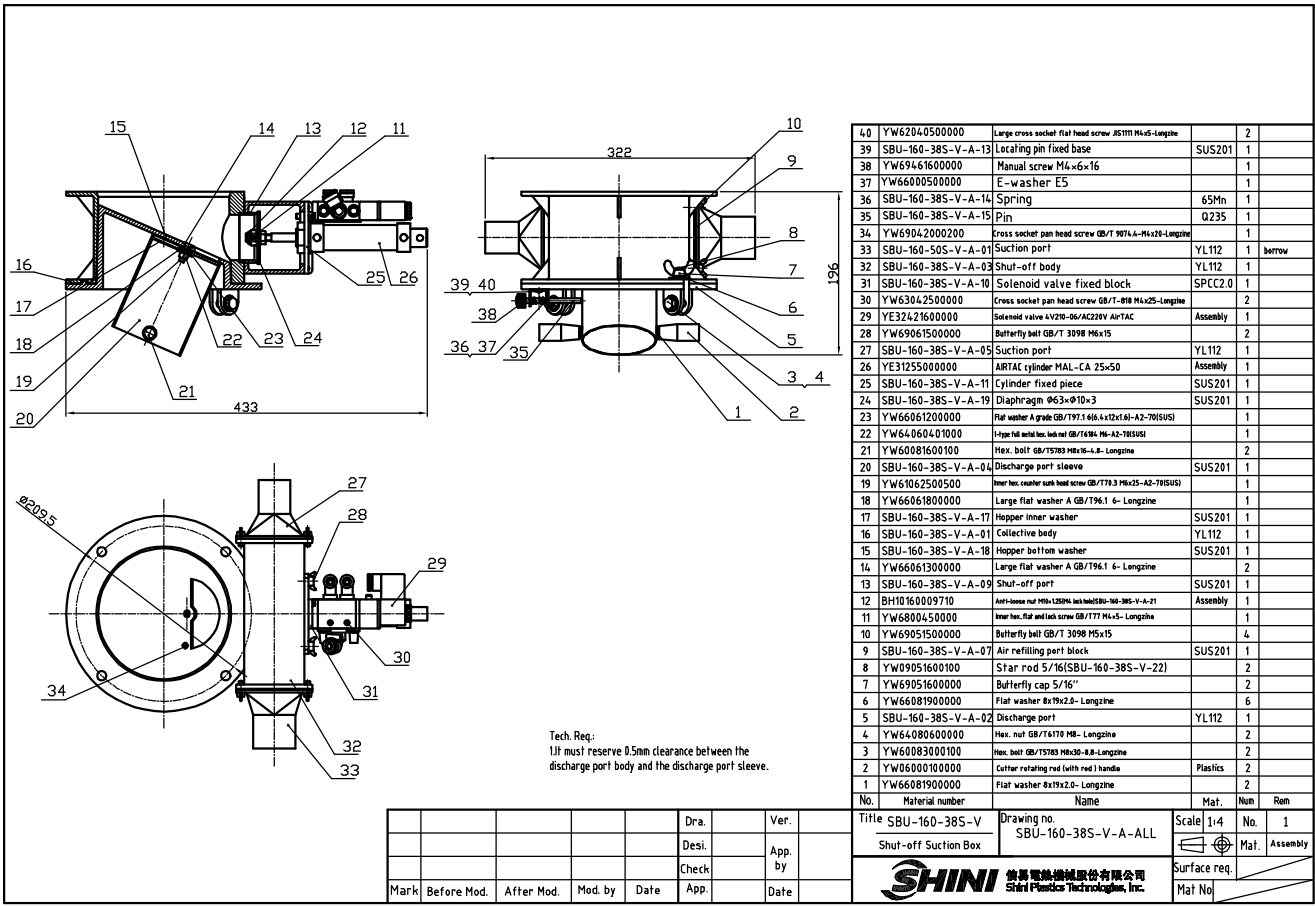
					制图	版号
					设计	核准
					校对	审核
标记	更改前	更改后	更改人	日期	审核	日期

标题	SDL-300U-HD	图号	SDL-300U-HD-ALL	比例	1:25	数量	1
	无热除湿热风干燥送料组合					材质	
 <b>信易电热机械股份有限公司</b> Shini Plastics Technologies, Inc.				表面要求			
				物料号			



25	YW63040600000	Cross socket pan head screw GB/T-818 M4x6-Longzine		2	
24	YR20044800000	O-type seal ring $\phi 4.8 \times \phi 4$	Rubber	1	
23	YR20305000000	O-type seal ring $\phi 30 \times \phi 5$	Rubber	1	
22	YW80061800000	Adjustable air pipe connector ASL6-1/8	Assembly	2	
21	YE31125010000	Cylinder MBL25x50-U(AIRTAC)		1	
20	SAL-910G-A-07	Solenoid valve fixed piece	SPCC1.2	1	
19	YE32421600100	Solenoid valve 4V210-06 220V	Assembly	1	
18	YW63042500000	Cross socket pan head screw GB/T-818 M4x25-Longzine		2	
17	BR40230700010	Upper cover SCD-230U/120H-D-07	YL112	1	
16	BH10906000110	Height increased iron rod SAL-910G-A-06	Q235A	1	
15	YW80081800100	Air pipe connector ASL8-1/8	Assembly	1	
14	YW80010800000	Muffer BSL-01	Assembly	2	
13	YW68005500000	Inner hex. flat end lock screw GB/T77 M5x5-Longzine		1	
12	YW80061800200	Air pipe connector ASL6-1/8	Assembly	2	
11	BH13900700010	3-way valve connector SAL-910G-A-05	6061	1	
10	BL22900000320	Air suction pipe 2 SAL-910G-A-04	SUS201	2	
9	SCD-230U/120H-D-06	3-way valve middle flange	SPH4.0	1	
8	BL22900000120	Air suction pipe 1 SAL-910G-A-03	SUS201	1	
7	YR20258900000	O-type seal ring $\phi 89 \times \phi 2.5$ (ext. dia.)	Rubber	2	
6	BR10651200040	4-way valve diaphragm 65x12x8mm (has mould)	Assembly	1	
5	YW66103200000	Large washer A grade GB/T96 10/10.5x30x2.5-Longzine		2	
4	YW64101100000	Hex. lock nut M10 (Thickness: 1mm)		1	
3	BH10090000510	Valve body 1 SAL-910G-A-01	YL112	1	
2	YW65006000000	Standard spring washer GB/T93 6-A2-70(SUS)		6	
1	YW61062000300	Inner hex. column lock screw GB/T70.1 M6x20-12.9-Longzine		6	
No.	Material number	Name	Mat.	Num.	Rem.

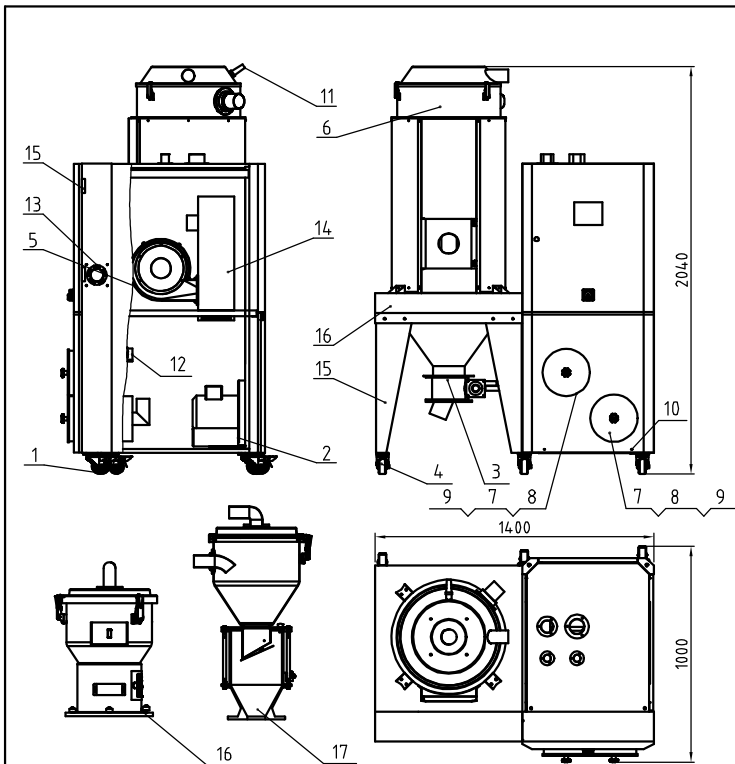
					Draw.	Ver.	Title	Drawing no.	Scale	1:5	Num.	1
					Desi.	App.	SCD-230U/120H	SCD-230U/120H-D-ALL			Mat	Assembly
					Check	by	Three-way Diaphragm Valve			Surface req.		
Mark	Before Mark	After Mod.	Modified by.	Date	App.	Date	20170206	<b>SHINI</b> 信易電熱機械股份有限公司 Shini Plastics Technologies, Inc.	Mat No.			



40	YW62040500000	Large cross socket flat head screw J5111 M4.5-Longzine		2	
39	SBU-160-38S-V-A-13	Locating pin fixed base	SUS201	1	
38	YW69461600000	Manual screw M4×6×16		1	
37	YW66000500000	E-washer E5		1	
36	SBU-160-38S-V-A-14	Spring	65Mn	1	
35	SBU-160-38S-V-A-15	Pin	Q235	1	
34	YW69042000200	Cross socket pan head screw GB/T 9074.4-M4×25-Longzine		1	
33	SBU-160-50S-V-A-01	Suction port	YL112	1	borrow
32	SBU-160-38S-V-A-03	Shut-off body	YL112	1	
31	SBU-160-38S-V-A-10	Solenoid valve fixed block	SPCC2.0	1	
30	YW63042500000	Cross socket pan head screw GB/T-#18 M4.25-Longzine		2	
29	YE32421600000	Solenoid valve KV210-06/AC220V AirTAC	Assembly	1	
28	YW69061500000	Butterfly ball GB/T 3098 M6×15		2	
27	SBU-160-38S-V-A-05	Suction port	YL112	1	
26	YE31255000000	ARTAC cylinder MAL-CA 25×50	Assembly	1	
25	SBU-160-38S-V-A-11	Cylinder fixed piece	SUS201	1	
24	SBU-160-38S-V-A-19	Diaphragm #63-φ10-3	SUS201	1	
23	YW66061200000	Flat washer A grade GB/T97.1 40.4×13(14)-42-70(SUS)		1	
22	YW64060401000	Hex. nut GB/T6170 M6-M8-2-70(SUS)		1	
21	YW60081600100	Hex. bolt GB/T5782 M6×8-A-8-Longzine		2	
20	SBU-160-38S-V-A-04	Discharge port sleeve	SUS201	1	
19	YW61062500500	Inner hex. counter sink head screw GB/T7713 M6×25-A2-70(SUS)		1	
18	YW66061800000	Large flat washer A GB/T96.1 6-Longzine		1	
17	SBU-160-38S-V-A-17	Hopper inner washer	SUS201	1	
16	SBU-160-38S-V-A-01	Collective body	YL112	1	
15	SBU-160-38S-V-A-18	Hopper bottom washer	SUS201	1	
14	YW66061300000	Large flat washer A GB/T96.1 6-Longzine		2	
13	SBU-160-38S-V-A-09	Shut-off part	SUS201	1	
12	BH10160009710	Anti-sense nut M6×1.25(M6) with lock(SBU-160-38S-V-A-21)	Assembly	1	
11	YW68004500000	Inner hex. flat neck screw GB/T77 M4.5-Longzine		1	
10	YW69051500000	Butterfly ball GB/T 3098 M5×15		4	
9	SBU-160-38S-V-A-07	Air refilling port block	SUS201	1	
8	YW09051600100	Star rod 5/16(SBU-160-38S-V-22)		2	
7	YW69051600000	Butterfly cap 5/16"		2	
6	YW66081900000	Flat washer #19×2.0-Longzine		6	
5	SBU-160-38S-V-A-02	Discharge port	YL112	1	
4	YW64080600000	Hex. nut GB/T6170 M6-Longzine		2	
3	YW60083000100	Hex. bolt GB/T5783 M6×30-A-8-Longzine		2	
2	YW06000100000	Collar retaining red with red handle	Plastics	2	
1	YW66081900000	Flat washer #19×2.0-Longzine		2	
No.	Material number	Name	Mat.	Num	Rem

Mark	Before Mod.	After Mod.	Mod. by	Date	Dra.	Ver.	App.	Check	App.	Date

Title	SBU-160-38S-V	Drawing no.	SBU-160-38S-V-A-ALL	Scale	1:4	No.	1
	Shut-off Suction Box					Mat.	Assembly
 信昌 電機 機械 股份有限公司 Shini Plastic Technologies, Inc.				Surface req.		Mat No	



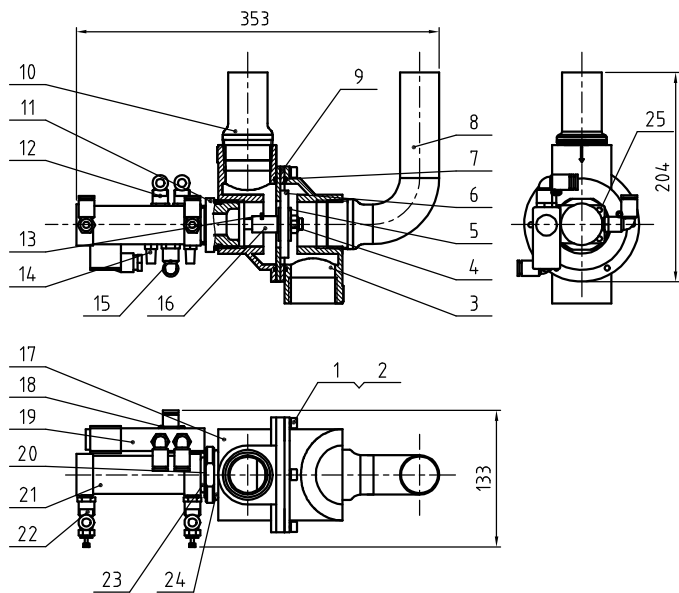
Conveying blower power	Drying blower power	Heating case power	Required flow	Inlet air pipe	Return air pipe	Drying hopper capacity	Model version
1.5KW	0.18KW	12KW	0.7m <sup>3</sup> /min	3inch	2.5inch	450L	Ver.D

17	BY20001240150	Standard single photo sensor hopper receiver SHV-12(L)PM	Assembly	1	
16	BY20012004350	Euro vacuum hopper receiver SHR-12(L)PM	Assembly	1	
15	YW06203100200	Door hinge (L 213-1right)		2	
14	BH70301200150	Pipe heater (12kw)		1	
13	YM60121206400	Exhaust fan 12x12CM/24VA		1	
12	SCD-230U/120H-D-ALL	Three way diaphragm valve		1	
11	YW80000400300	Copper silencer BSL-04	Assembly	1	
10	YW63064500000	Crss recessed pan head screw GB/T-418 N6x1.5		2	
9	BR90120500010	SD-120H-ALL-05-0 filter hopper cover	PC	2	
8	YR50203000100	Filter SD-200/300 Large	Assembly	1	
7	YR50708000100	Filter SAL-700/800G	Assembly	1	
6	BY10030000550	Euro heat insulated hopper DH-300U	Assembly	1	
5	BM40538000850	Blower 5"	Assembly	1	
4	YW03000300200	Movable castor	Assembly	3	
3	SBU-160-38S-V-A-ALL	Shut-off suction box	Assembly	1	
2	BM30042000050	Conveying blower (2HP)	Assembly	1	
1	YW03000300000	Brake castor	Assembly	3	

序号	代号	名称	材质	数量	备注
----	----	----	----	----	----

					制图	版号	标题	图号	比例	数量	1
					设计	核	欧化热风干燥送料组合	SDL-450U-A-ALL	1:25		
					校对	准			⊕	材质	
					审核	日期			表面要求		
标记	更改前	更改后	更改人	日期					物料号		

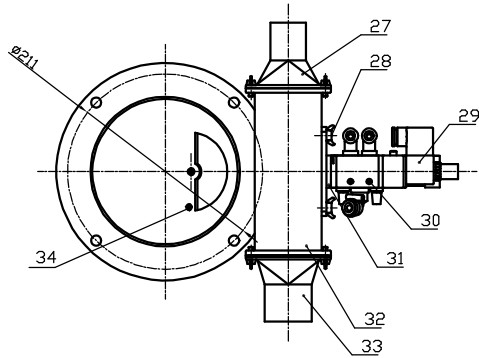
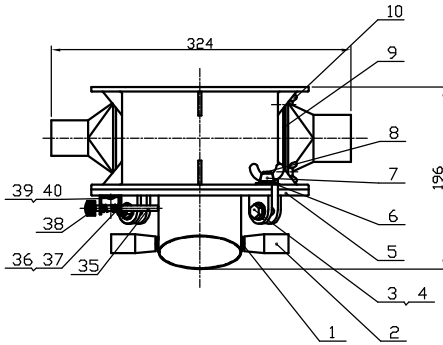
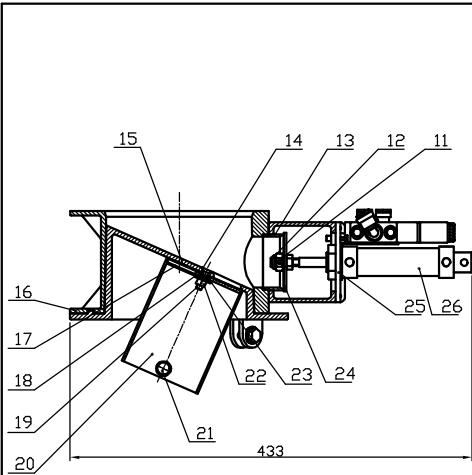




No.	Material number	Name	Mat.	Num.	Rem.
25	YW63040600000	Cross socket pan head screw GB/T-818 M4x6-Longzine		2	
24	YR20044800000	O-type seal ring $\phi 48 \times \phi 4$	Rubber	1	
23	YR20305000000	O-type seal ring $\phi 30 \times \phi 5$	Rubber	1	
22	YW80061800000	Adjustable air pipe connector ASL6-1/8	Assembly	2	
21	YE31125010000	Cylinder MBL25x50-U(AIRTAC)		1	
20	SAL-910G-A-07	Solenoid valve fixed piece	SPCC1.2	1	
19	YE32421600100	Solenoid valve 4V210-06 220V	Assembly	1	
18	YW63042500000	Cross socket pan head screw GB/T-818 M4x25-Longzine		2	
17	BR40230700010	Upper cover SCD-230U/120H-D-07	YL112	1	
16	BH10906000110	Height increased iron rod SAL-910G-A-06	Q235A	1	
15	YW80081800100	Air pipe connector ASL8-1/8	Assembly	1	
14	YW80010800000	Muffer BSL-01	Assembly	2	
13	YW68005500000	Inner hex. flat end lock screw GB/T771 M5x5-Longzine		1	
12	YW80061800200	Air pipe connector ASL6-1/8	Assembly	2	
11	BH13900700010	3-way valve connector SAL-910G-A-05	6061	1	
10	BL22900000320	Air suction pipe 2 SAL-910G-A-04	SUS201	2	
9	SCD-230U/120H-D-06	3-way valve middle flange	SPH4.0	1	
8	BL22900000120	Air suction pipe 1 SAL-910G-A-03	SUS201	1	
7	YR20258900000	O-type seal ring $\phi 89 \times \phi 2.5$ (ext. dia.)	Rubber	2	
6	BR10651200040	4-way valve diaphragm 65x12x8mm (has mould)	Assembly	1	
5	YW66103200000	Large washer A grade GB/T96 10/10.5x30x2.5-Longzine		2	
4	YW64101100000	Hex. lock nut M10 (Thickness: 11mm)		1	
3	BH10090000510	Valve body 1 SAL-910G-A-01	YL112	1	
2	YW65006000000	Standard spring washer GB/T93 6-A2-70(SUS)		6	
1	YW61062000300	Inner hex. column lock screw GB/T761 M6x26-12.9-Longzine		6	

Mark	Before Mark	After Mod.	Modified by	Date	App.	Date	20170206	Draw.	Ver.	Title	SCD-230U/120H Three-way Diaphragm Valve	Drawing no.	SCD-230U/120H-D-ALL	Scale	1:5	Num.	1	Mat.	Assembly	Surface req.	Mat No.



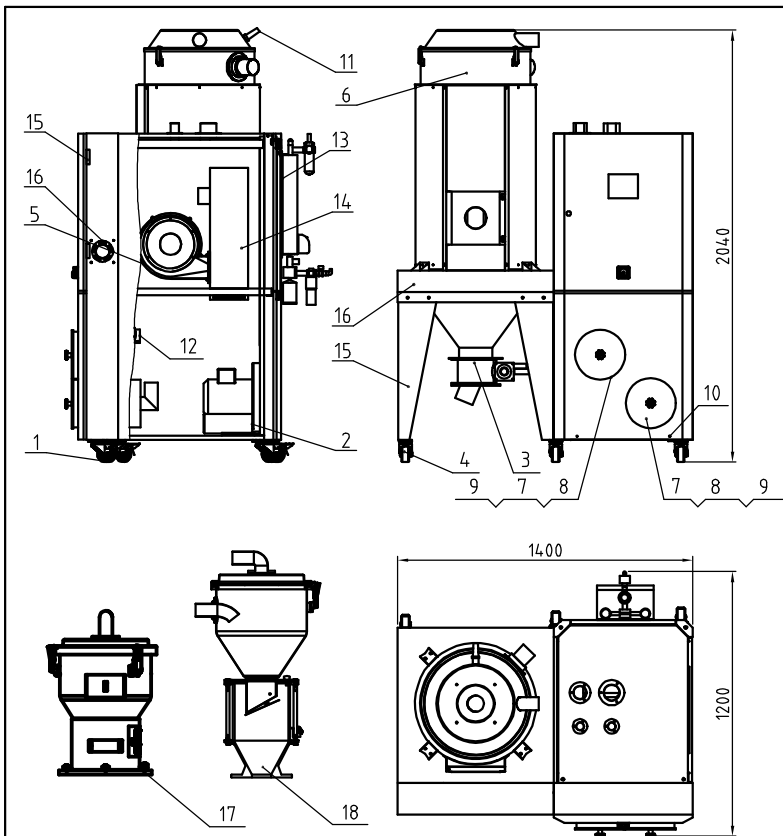


Tech. Req.  
1. If must reserve 0.5mm clearance between the discharge port body and the discharge port sleeve.

40	YW62040500000	Large cross socket flat head screw J51111 M4x5-Longzine		2	
39	SBU-160-38S-V-A-13	Locating pin fixed base	SUS201	1	
38	YW69461600000	Manual screw M4x6x16		1	
37	YW66000500000	E-washer E5		1	
36	SBU-160-38S-V-A-14	Spring	65Mn	1	
35	SBU-160-38S-V-A-15	Pin	Q235	1	
34	YW69042000200	Cross socket pan head screw GB/T 9074.4-M4x20-Longzine		1	
33	SBU-160-50S-V-A-01	Suction port	YL112	1	borrow
32	SBU-160-38S-V-A-03	Shut-off body	YL112	1	
31	SBU-160-38S-V-A-10	Solenoid valve fixed block	SPCC2.0	1	
30	YW63042500000	Cross socket pan head screw GB/T 818 M4x25-Longzine		2	
29	YE32421600000	Solenoid valve 4V210-06/AC220V AirTAC	Assembly	1	
28	YW69061500000	Butterfly bolt GB/T 3098 M6x15		2	
27	SBU-160-38S-V-A-05	Suction port	YL112	1	
26	YE31255000000	AIRTAC cylinder MAL-CA 25x50	Assembly	1	
25	SBU-160-38S-V-A-11	Cylinder fixed piece	SUS201	1	
24	SBU-160-38S-V-A-19	Diaphragm <math>\varnothing 63 \times \varnothing 10 \times 3</math>	SUS201	1	
23	YW66061200000	Flat washer A grade GB/T191.1 616.4x12x1.61-A2-70(SUS)		1	
22	YW64060401000	F-type full metal hex. lock nut GB/T6190 M6-A2-70(SUS)		1	
21	YW60081600100	Hex. bolt GB/T5183 M6x16-4.8- Longzine		2	
20	SBU-160-38S-V-A-04	Discharge port sleeve	SUS201	1	
19	YW61062500500	Inner hex. counter sunk head screw GB/T10.3 M6x25-A2-70(SUS)		1	
18	YW66061800000	Large flat washer A GB/T96.1 6- Longzine		1	
17	SBU-160-38S-V-A-17	Hopper inner washer	SUS201	1	
16	SBU-160-38S-V-A-01	Collective body	YL112	1	
15	SBU-160-38S-V-A-18	Hopper bottom washer	SUS201	1	
14	YW66061300000	Large flat washer A GB/T96.1 6- Longzine		2	
13	SBU-160-38S-V-A-09	Shut-off port	SUS201	1	
12	BH10160009710	Anti-leakage nut M16x1.25(M4 lock nut)SBU-160-38S-V-A-21	Assembly	1	
11	YW68004500000	Inner hex. flat end lock screw GB/T777 M4x5- Longzine		1	
10	YW69051500000	Butterfly bolt GB/T 3098 M5x15		4	
9	SBU-160-38S-V-A-07	Air refilling port block	SUS201	1	
8	YW09051600100	Star rod 5/16(SBU-160-38S-V-22)		2	
7	YW69051600000	Butterfly cap 5/16"		2	
6	YW66081900000	Flat washer 8x19x2.0- Longzine		6	
5	SBU-160-38S-V-A-02	Discharge port	YL112	1	
4	YW64080600000	Hex. nut GB/T6170 M8- Longzine		2	
3	YW60083000100	Hex. bolt GB/T5183 M8x30-4.8-Longzine		2	
2	YW06001000000	Cutter rotating rod (with red) handle	Plastics	2	
1	YW66081900000	Flat washer 8x19x2.0- Longzine		2	

No.	Material number	Name	Mat.	Num	Rem	
		Title SBU-160-38S-V	Drawing no. SBU-160-38S-V-A-ALL		Scale 1:4	No. 1
		Shut-off Suction Box			Mat. Assembly	
		SHINI 信昌電熱機械股份有限公司 Shini Plasstics Technologies, Inc.		Surface req.		
				Mat No		

Mark	Before Mod.	After Mod.	Mod. by	Date	Dra.	Ver.
					Desi.	App. by
					Check	
					App.	Date



Conveying blower power	Drying blower power	Heating case power	Required flow	Inlet air pipe	Return air pipe	Drying hopper capacity	Model version
1.5kW	0.18KW	12KW	0.7m <sup>3</sup> /min	3inch	2.5inch	450L	Ver.D

18	BY20001240150	Standard single photoresistor hopper receiver SYH-12U(LP/R)	Assembly	1	
17	BY20012004350	Euro vacuum hopper receiver SHR-12U(LP/R)	Assembly	1	
16	YM60121206400	Exhaust fan 12x12CM/24VA		1	
15	YW06203100200	Door hinge CL 203-11right		2	
14	BH70301200150	Pipe heater (12kw)		1	
13	YE90112100000	Heatless dehumidification regenerative dryer	Assembly	1	
12	SCD-230U/120H-D-ALL	Three way diaphragm valve		1	
11	YW80000400300	Copper silencer BSL-04	Assembly	1	
10	YW63064500000	Cross recessed pan head screw GB/T-418 Hex45		2	
9	BR90120500010	SD-120H-ALL-05-0 filter hopper cover	PC	2	
8	YR50203000100	Filter SD-200/300 Large	Assembly	1	
7	YR50708000100	Filter SAL-700/800G	Assembly	1	
6	BY10030000550	Euro heat insulated hopper DH-300U	Assembly	1	
5	BM40538000850	Blower 5"	Assembly	1	
4	YW03000300200	Movable castor	Assembly	3	
3	SBU-160-38S-V-A-ALL	Shut-off suction box	Assembly	1	
2	BM30042000050	Conveying blower (ZHP)	Assembly	1	
1	YW03000300000	Brake castor	Assembly	3	
序号	代号	名称	材质	数量	备注

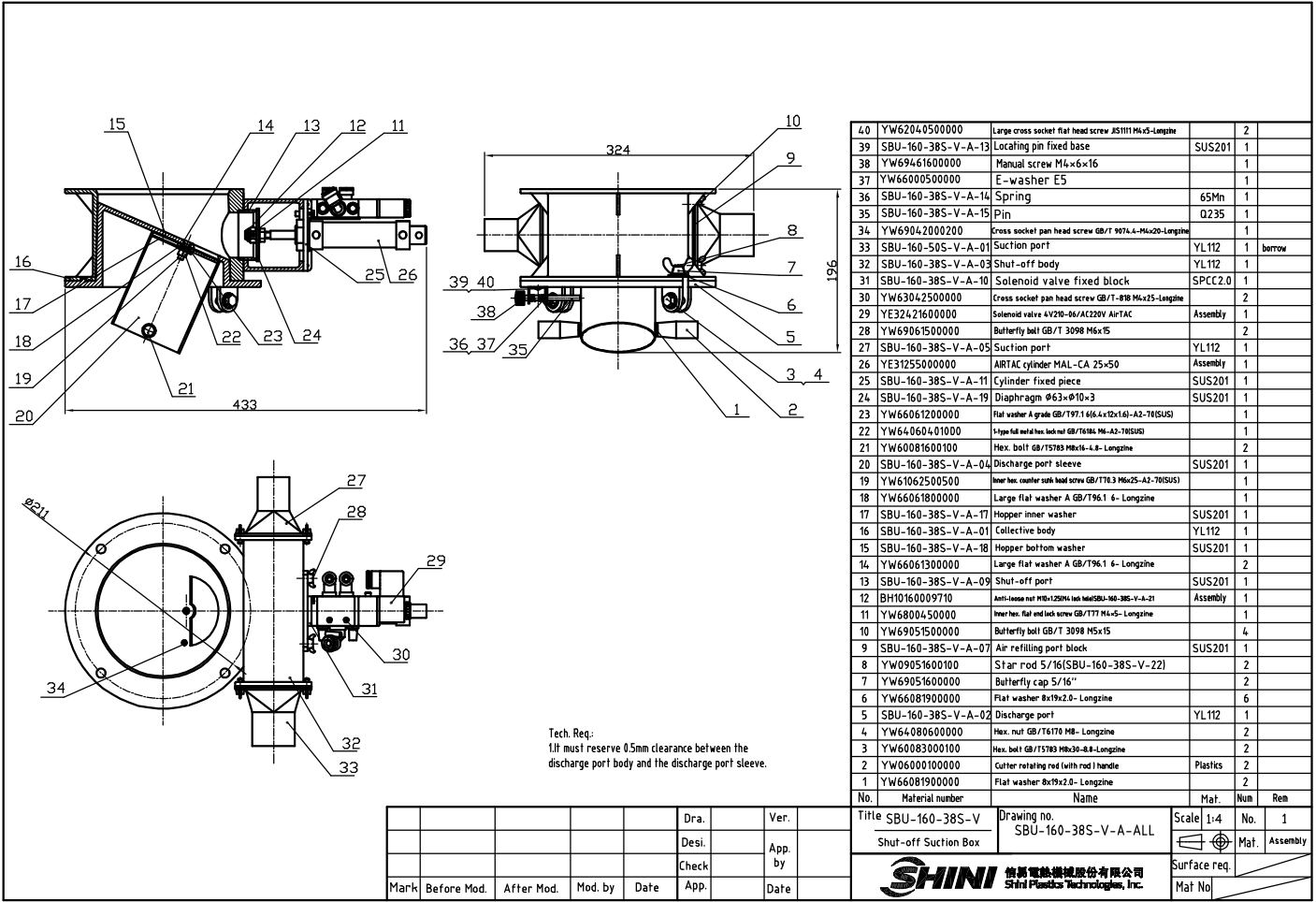
					制图	版号
					设计	核准
					校对	核准
标记	更改前	更改后	更改人	日期	审核	日期

标题 SDL-450U-HD 图号  
 无热除湿热风干燥送料组合 SDL-450U-HD-A-ALL

**SHINI** 信易电热机械股份有限公司  
 Shini Plastics Technologies, Inc.

比例	1:25	数量	1
		材质	
		表面要求	
		物料号	

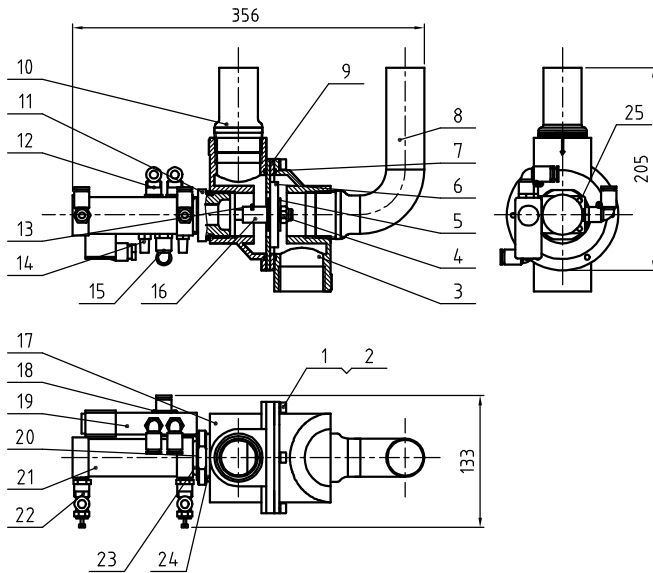




40	YW62040500000	Large cross socket flat head screw J51111 M4x5-Longzhe		2	
39	SBU-160-38S-V-A-13	Locating pin fixed base	SUS201	1	
38	YW69461600000	Manual screw M4x6x16		1	
37	YW66000500000	E-washer E5		1	
36	SBU-160-38S-V-A-14	Spring	65Mn	1	
35	SBU-160-38S-V-A-15	Pin	Q235	1	
34	YW69042000200	Cross socket pan head screw GB/T 9074.4-M4x20-Longzhe		1	
33	SBU-160-50S-V-A-01	Suction port	YL112	1	borrow
32	SBU-160-38S-V-A-03	Shut-off body	YL112	1	
31	SBU-160-38S-V-A-10	Solenoid valve fixed block	SPCC2.0	1	
30	YW63042500000	Cross socket pan head screw GB/T-#18 M4x25-Longzhe		2	
29	YE32421600000	Solenoid valve 4V210-06/AC220V AirTAC	Assembly	1	
28	YW69061500000	Butterfly ball GB/T 3098 M6x15		2	
27	SBU-160-38S-V-A-05	Suction port	YL112	1	
26	YE31255000000	AIRTAC cylinder MAL-CA 25x50	Assembly	1	
25	SBU-160-38S-V-A-11	Cylinder fixed piece	SUS201	1	
24	SBU-160-38S-V-A-19	Diaphragm φ63-φ10x3	SUS201	1	
23	YW66061200000	Flat washer A grade GB/T97.1 4/6.4x12x1.61-A2-7H(SUS)		1	
22	YW64060401000	1/2pin flat head hex bolt GB/T6170 M6-A3-7H(SUS)		1	
21	YW60081600100	Hex. bolt GB/T5783 M6x1.6-Longzhe		2	
20	SBU-160-38S-V-A-04	Discharge port sleeve	SUS201	1	
19	YW61062500500	Inner hex. counter sink head screw GB/T718.3 M6x25-A2-7H(SUS)		1	
18	YW66061800000	Large flat washer A GB/T96.1 6-Longzhe		1	
17	SBU-160-38S-V-A-17	Hopper inner washer	SUS201	1	
16	SBU-160-38S-V-A-01	Collective body	YL112	1	
15	SBU-160-38S-V-A-18	Hopper bottom washer	SUS201	1	
14	YW66061300000	Large flat washer A GB/T96.1 6-Longzhe		2	
13	SBU-160-38S-V-A-09	Shut-off port	SUS201	1	
12	BH10160009710	Anti-leak nut PTFE/220% hex head/SBU-160-38S-V-A-21	Assembly	1	
11	YW68004500000	Inner hex. flat end lock screw GB/T771 M4x5-Longzhe		1	
10	YW69051500000	Butterfly ball GB/T 3098 M5x15		4	
9	SBU-160-38S-V-A-07	Air refilling port block	SUS201	1	
8	YW09051600100	Star rod 5/16(SBU-160-38S-V-22)		2	
7	YW69051600000	Butterfly cap 5/16"		2	
6	YW66081900000	Flat washer 8x19x2.0-Longzhe		6	
5	SBU-160-38S-V-A-02	Discharge port	YL112	1	
4	YW64080600000	Hex. nut GB/T6170 M8-Longzhe		2	
3	YW660083000100	Hex. bolt GB/T5783 M8x30-8.8-Longzhe		2	
2	YW06000100000	Cutter retaining rod (with rod handle)	Plastics	2	
1	YW66081900000	Flat washer 8x19x2.0-Longzhe		2	

Tech. Req.:  
1ft must reserve 0.5mm clearance between the  
discharge port body and the discharge port sleeve.

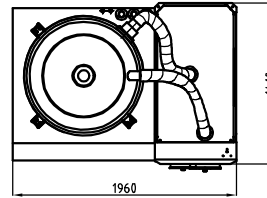
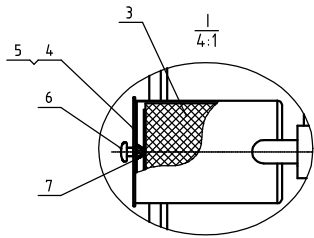
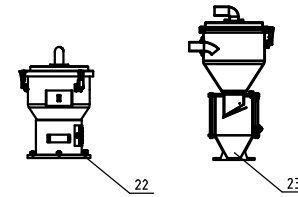
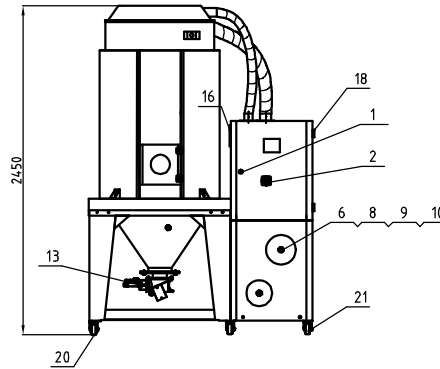
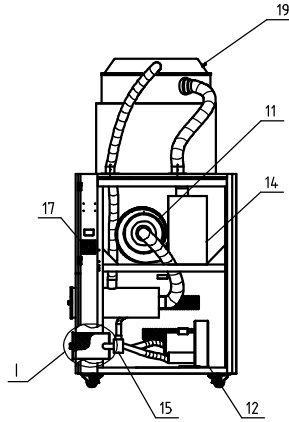
Mark	Before Mod.	After Mod.	Mod. by	Date	App.	Date	Dra.	Ver.	Desi.	Check	App. by	Title	SBU-160-38S-V Shut-off Suction Box	Drawing no.	SBU-160-38S-V-A-ALL	Scale	1:4	No.	1	Mat.	Assembly
												SHINI 廣嘉電機機械股份有限公司 Shini Plasstics Technology, Inc.		Surface req.		Mat No.					



25	YW6304060000	Cross socket pan head screw GB/T-818 M4x6-Longzine		2	
24	YR20044800000	O-type seal ring $\phi 4.8 \times \phi 4$	Rubber	1	
23	YR20305000000	O-type seal ring $\phi 30 \times \phi 5$	Rubber	1	
22	YW80061800000	Adjustable air pipe connector ASL6-1/8	Assembly	2	
21	YE31125010000	Cylinder MBL25x50-U(AIRTAC)		1	
20	SAL-910G-A-07	Solenoid valve fixed piece	SPCC1.2	1	
19	YE32421600100	Solenoid valve 4V210-06 220V	Assembly	1	
18	YW63042500000	Cross socket pan head screw GB/T-818 M4x25-Longzine		2	
17	BR40230700010	Upper cover SCD-230U/120H-D-07	YL112	1	
16	BH10906000110	Height increased iron rod SAL-910G-A-06	Q235A	1	
15	YW80081800100	Air pipe connector ASL8-1/8	Assembly	1	
14	YW80010800000	Muffer BSL-01	Assembly	2	
13	YW68005500000	Inner hex. flat end lock screw GB/T77 M5x5-Longzine		1	
12	YW80061800200	Air pipe connector ASL6-1/8	Assembly	2	
11	BH13900700010	3-way valve connector SAL-910G-A-05	6061	1	
10	BL22900000320	Air suction pipe 2 SAL-910G-A-04	SUS201	2	
9	SCD-230U/120H-D-06	3-way valve middle flange	SPH4.0	1	
8	BL22900000120	Air suction pipe 1 SAL-910G-A-03	SUS201	1	
7	YR20258900000	O-type seal ring $\phi 89 \times \phi 2.5$ (ext. dia.)	Rubber	2	
6	BR10651200040	4-way valve diaphragm 65x12x8mm (has mould)	Assembly	1	
5	YW66103200000	Large washer A grade GB/T93 10(10.5x30x2.5)-Longzine		2	
4	YW64101100000	Hex. lock nut M10 (Thickness: 11mm)		1	
3	BH10090000510	Valve body 1 SAL-910G-A-01	YL112	1	
2	YW65006000000	Standard spring washer GB/T93 6-A2-70(SUS)		6	
1	YW61062000300	Inner hex. column lock screw GB/T78.1 M6x20-12.9-Longzine		6	
No.	Material number	Name	Mat.	Num.	Rem.

					Draw.	Ver.	Title	Drawing no.	Scale	15	Num.	1
					Desi.	App.	Three-way Diaphragm Valve	SCD-230U/120H-D-ALL			Mat.	Assembly
					Check	by		信易電熱機械股份有限公司 Shini Plastics Technologies, Inc.	Surface req.			
Mark	Before Mark	After Mod.	Modified by.	Date	App.	Date			20170206	Mat No.		

Conveying blower power	Drying blower power	Heating case power	Required flow	Inlet air pipe	Return air pipe	Drying hopper capacity	Model version
1.5KW	0.55KW	18KW	0.8m <sup>3</sup> /min	4inch	3inch	600L	Ver.E

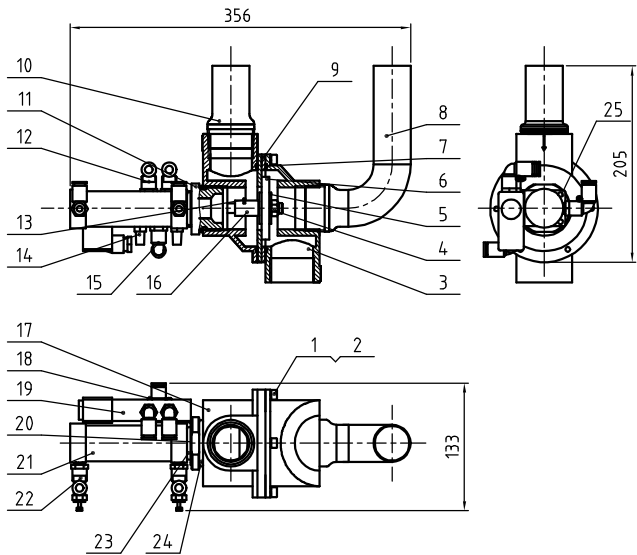


23	BY20001240150	Standard single photosensor hopper receiver 5YH-12L4P	Assembly	1	
22	BY20012004350	Euro vacuum hopper receiver 5H-12V4PM	Assembly	1	
21	YW03000400200	Black movable castor 4"		1	
20	YW03000400000	Black brake castor 4"		1	
19	YE32421600100	Solenoid valve 4V210-06/AC24V		1	
18	YW06203100200	Large door hinge CL 203-1(right)		1	
17	YR40120300000	3-in-1 anti-dust plastic screen		1	
16	YM60121206400	Exhaust fan 12x120x230VAC		1	
15	SCD-230U120H-D-ALL	Three-way diaphragm valve		1	
14	BH70601800250	Pipe heater (18KW)		1	
13	SBU-160-38S-V-A-ALL	Euro shut-off suction box		1	
12	BM30042000050	Conveying blower 2HP		1	
11	BM30055000150	Blower 550W		1	
10	BR90406000010	Filter hopper cover		1	
9	YR10026000000	Filter hopper fastener (ø26d)		1	
8	YR50241400100	Filter (ADC3)		1	
7	YW69051600000	Butterfly nut 5/16"		2	
6	YW09675100000	Small start nut 5/16"		2	
5	YR10708000100	Filter hopper fastener (70d/800d)		1	
4	BR90120500010	Filter hopper cover		1	
3	YR50181100000	Filter (ADC2)		1	
2	YE41104000000	Door interlock switch		1	
1	YW00816100000	Door lock (MSB16-B)		1	

序号	代号	名称	材质	数量	备注
	SDL-600U	欧化热风干燥送料组合		1	
	SDL-600U-ALL				
			表面要求		
			物料号		

制图	版号	标题	图号	比例	1:34	数量	1
设计	核准	欧化热风干燥送料组合	SDL-600U-ALL	表面要求			
校对	核准			物料号			
标记	更改前	更改后	更改人	日期	审核	日期	

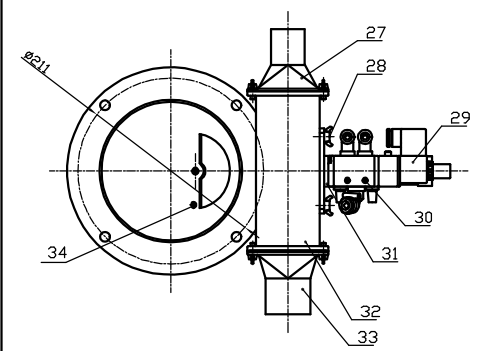
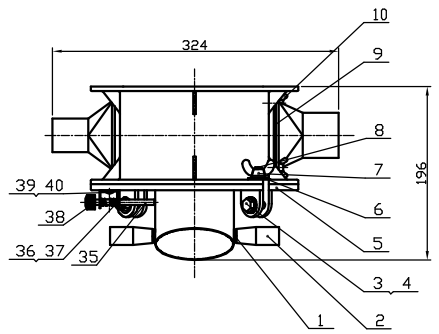
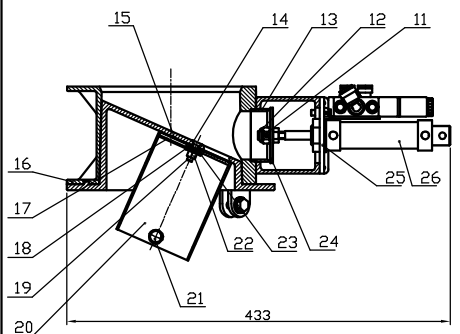
**SHINI** 信义塑料机械股份有限公司  
Shini Plastics Technologies, Inc.



25	YW6304.0600000	Cross socket pan head screw GB/T-818 M4x6-Longzine		2	
24	YR2004.4800000	O-type seal ring $\phi 48 \times \phi 4$	Rubber	1	
23	YR20305000000	O-type seal ring $\phi 30 \times \phi 5$	Rubber	1	
22	YW80061800000	Adjustable air pipe connector ASL6-1/8	Assembly	2	
21	YE31125010000	Cylinder MBL25x50-U(AIRTAC)		1	
20	SAL-910G-A-07	Solenoid valve fixed piece	SPCC1.2	1	
19	YE324.21600100	Solenoid valve 4V210-06 220V	Assembly	1	
18	YW6304.2500000	Cross socket pan head screw GB/T-818 M4x25-Longzine		2	
17	BR40230700010	Upper cover SCD-230U/120H-D-07	YL112	1	
16	BH10906000110	Height increased iron rod SAL-910G-A-06	Q235A	1	
15	YW80081800100	Air pipe connector ASL8-1/8	Assembly	1	
14	YW80010800000	Muffer BSL-01	Assembly	2	
13	YW68005500000	Inner hex. flat end lock screw GB/T177 M5x5-Longzine		1	
12	YW80061800200	Air pipe connector ASL6-1/8	Assembly	2	
11	BH13900700010	3-way valve connector SAL-910G-A-05	6061	1	
10	BL22900000320	Air suction pipe 2 SAL-910G-A-04	SUS201	2	
9	SCD-230U/120H-D-06	3-way valve middle flange	SPH4.0	1	
8	BL22900000120	Air suction pipe 1 SAL-910G-A-03	SUS201	1	
7	YR20258900000	O-type seal ring $\phi 89 \times \phi 2.5$ (ext. dia.)	Rubber	2	
6	BR10651200040	4-way valve diaphragm 65x12x8mm (has mould)	Assembly	1	
5	YW66103200000	Large washer A grade GB/T96 10(10.5x30x2.5)-Longzine		2	
4	YW64101100000	Hex. lock nut M10 (Thickness: 11mm)		1	
3	BH10090000510	Valve body 1 SAL-910G-A-01	YL112	1	
2	YW65006000000	Standard spring washer GB/T93 6-A2-70(SUS)		6	
1	YW61062000300	Inner hex. column lock screw GB/T71.1 M6x20-12.3-Longzine		6	
No.	Material number	Name	Mat.	Num.	Rem.

					Draw.	Ver.	Title	Drawing no.	Scale	1:5	Num.	1
					Desi.	App.	SCD-230U/120H	SCD-230U/120H-D-ALL		Mat	Assembly	
					Check	by	Three-way Diaphragm Valve					
Mark	Before Mark	After Mod.	Modified by.	Date	App.	Date	20170206		Surface req.			
									Mat No.			





Tech. Req:  
1. If must reserve 0.5mm clearance between the discharge port body and the discharge port sleeve.

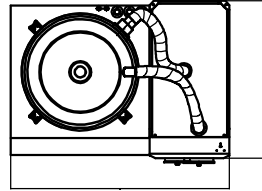
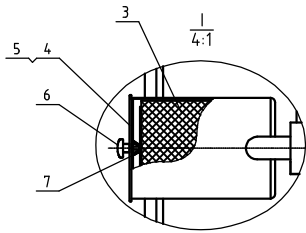
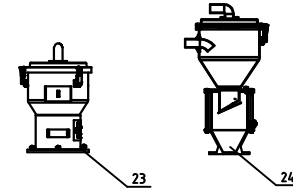
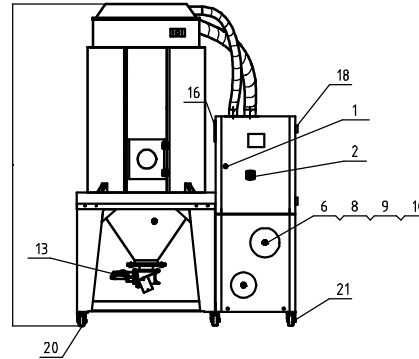
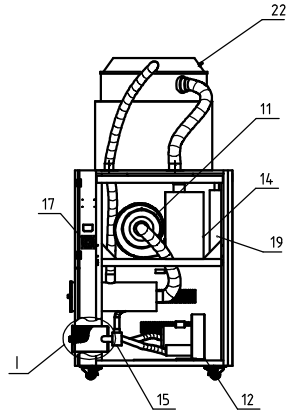
40	YW62040500000	Large cross socket flat head screw JET111 M4x5-Longzhe		2	
39	SBU-160-38S-V-A-13	Locating pin fixed base	SUS201	1	
38	YW69461600000	Manual screw M4x6x16		1	
37	YW66000500000	E-washer E5		1	
36	SBU-160-38S-V-A-14	Spring	65Mn	1	
35	SBU-160-38S-V-A-15	Pin	Q235	1	
34	YW69042000200	Cross socket pan head screw GB/T 9074.4-M6x20-Longzhe		1	
33	SBU-160-50S-V-A-01	Suction port	YL112	1	borrow
32	SBU-160-38S-V-A-03	Shut-off body	YL112	1	
31	SBU-160-38S-V-A-10	Solenoid valve fixed block	SPCC2.0	1	
30	YW63042500000	Cross socket pan head screw GB/T 818 M6x25-Longzhe		2	
29	YE32421600000	Solenoid valve 4V2.0-06/AC220V AirTAC	Assembly	1	
28	YW69061500000	Butterfly ball GB/T 3098 M6x15		2	
27	SBU-160-38S-V-A-05	Suction port	YL112	1	
26	YE31255000000	AIRTAC cylinder MAL-CA 25x50	Assembly	1	
25	SBU-160-38S-V-A-11	Cylinder fixed piece	SUS201	1	
24	SBU-160-38S-V-A-19	Diaphragm $\phi 6.3 \times \phi 10 \times 3$	SUS201	1	
23	YW66061200000	Flat washer A grade GB/T191 1.66.4x12x1.61-A2-70(SUS)		1	
22	YW64060401000	Edge flat metal hex lock nut GB/T6186 M6-A2-70(SUS)		1	
21	YW60081600100	Hex. bolt GB/T5783 M6x16-A-8-Longzhe		2	
20	SBU-160-38S-V-A-04	Discharge port sleeve	SUS201	1	
19	YW61062500500	Inner hex. counter sunk head screw GB/T7783 M6x25-A2-70(SUS)		1	
18	YW66061800000	Large flat washer A GB/T96.1 6-Longzhe		1	
17	SBU-160-38S-V-A-17	Hopper inner washer	SUS201	1	
16	SBU-160-38S-V-A-01	Collective body	YL112	1	
15	SBU-160-38S-V-A-18	Hopper bottom washer	SUS201	1	
14	YW66061300000	Large flat washer A GB/T96.1 6-Longzhe		2	
13	SBU-160-38S-V-A-09	Shut-off port	SUS201	1	
12	BH10160009710	Anti-loose nut M16x1.250% hex headSBU-160-38S-V-A-21	Assembly	1	
11	YW68004500000	Inner hex. flat end lock screw GB/T77 M4x5-Longzhe		1	
10	YW69051500000	Butterfly ball GB/T 3098 M5x15		4	
9	SBU-160-38S-V-A-07	Air refilling port block	SUS201	1	
8	YW09051600100	Star rod 5/16(SBU-160-38S-V-22)		2	
7	YW69051600000	Butterfly cap 5/16"		2	
6	YW66081900000	Flat washer 8x19x2.0-Longzhe		6	
5	SBU-160-38S-V-A-02	Discharge port	YL112	1	
4	YW64080600000	Hex. nut GB/T6170 M8-Longzhe		2	
3	YW60083000100	Hex. bolt GB/5783 M8x30-8.8-Longzhe		2	
2	YW06000100000	Cutter rotating rod with rod handle	Plastics	2	
1	YW66081900000	Flat washer 8x19x2.0-Longzhe		2	
No.	Material number	Name	Mat.	Num	Rem

Mark	Before Mod.	After Mod.	Mod. by	Date	Dra.	Ver.	Desi.	App. by	Check	App.	Date

Title		SBU-160-38S-V		Drawing no.		SBU-160-38S-V-A-ALL		Scale		1:4		No.		1	
		Shut-off Suction Box										Mat.		Assembly	
												Surface req.			
												Mat No			



Conveying blower power 1.5KW	Drying blower power 0.55KW	heating case power 18KW	Required flow 0.8m <sup>3</sup> /min	Inlet air pipe 4inch	Return air pipe 3inch	Drying hopper capacity 600L	Model version Ver.E
---------------------------------	-------------------------------	----------------------------	---	-------------------------	--------------------------	--------------------------------	------------------------

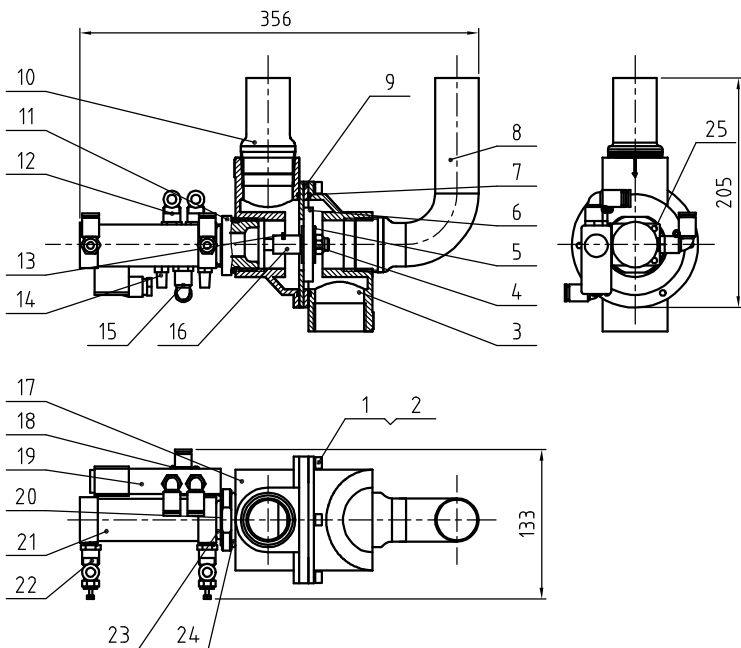


24	BY20001240150	Standard single-phases hopper motor 010-0L100W	1	
23	BY20012004350	Euro vacuum hopper motor 010-0200W	1	
22	YW80000400300	Copper silencer 0SL-04	1	
21	YW03000400200	4" black movable caster	1	
20	YW03000400000	4" black brake caster	1	
19	YE90112100000	Heatless dehumidification regenerative dryer	1	
18	YW06203100200	Door hinge CL 203-0right	1	
17	YR40120300000	3-in-1 anti-dust plastic screen	1	
16	YM60121206400	Exhaust fan 12-020V/24VAC	1	
15	SCD-230U/120H-D-ALL	Three way diaphragm valve	1	
14	BH70601800250	Pipe heater (18KW)	1	
13	SBU-160-38S-V-A-ALL	Euro shut-off suction box	1	
12	BM30042000050	Conveying blower ZHP	1	
11	BM30055000150	Blower 550W	1	
10	BR90406000010	Filter hopper cover	1	
9	YR10026000000	Filter hopper fastener Ø260	1	
8	YR50241400100	Filter OADCØ	1	
7	YW69051600000	Butterfly nut 1/2"	2	
6	YW09675100000	Small nut 5/16"	2	
5	YR10708000100	Filter hopper fastener Ø100/Ø100	1	
4	BR90120500010	Filter hopper cover	1	
3	YR50181100000	Filter OADCØ	1	
2	YE41104000000	Door lock switch	1	
1	YW00816100000	Door lock Ø15016-9	1	

序号	代号	名称	材质	数量	备注
		标题	SDL-600U-HD	图号	SDL-600U-HD-ALL
			无热除湿干燥送料组合		
				比例	1:34
				数量	1
				表面要求	材质
				物料号	

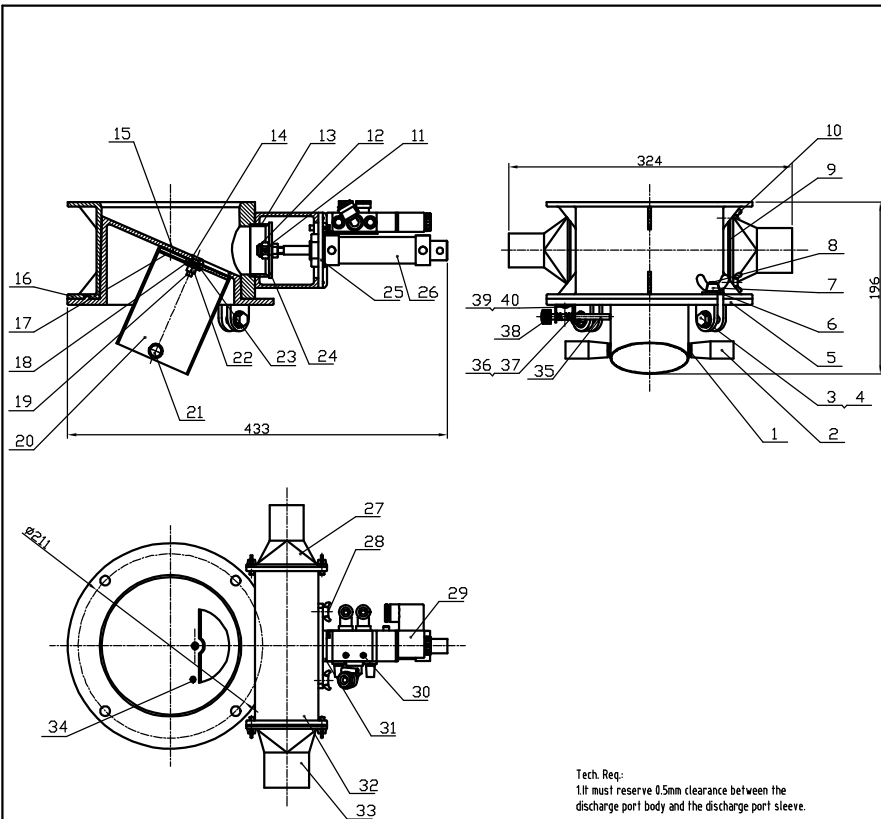
制图	版号	设计	核准	校对	审核
更改前	更改后	更改人	日期	日期	日期

**SHINI** 德昂電熱機械股份有限公司  
Shini Plastics Technologies, Inc.



25	YW63040600000	Cross socket pan head screw GB/T-818 M4x6-Longzine		2	
24	YR20044800000	O-type seal ring $\phi 48 \times \phi 4$	Rubber	1	
23	YR20305000000	O-type seal ring $\phi 30 \times \phi 5$	Rubber	1	
22	YW80061800000	Adjustable air pipe connector ASL6-1/8	Assembly	2	
21	YE31125010000	Cylinder MBL25x50-U(AIRTAC)		1	
20	SAL-910G-A-07	Solenoid valve fixed piece	SPCC1.2	1	
19	YE32421600100	Solenoid valve 4V210-06 220V	Assembly	1	
18	YW63042500000	Cross socket pan head screw GB/T-818 M4x25-Longzine		2	
17	BR40230700010	Upper cover SCD-230U/120H-D-07	YL112	1	
16	BH10906000110	Height increased iron rod SAL-910G-A-06	Q235A	1	
15	YW80081800100	Air pipe connector ASL8-1/8	Assembly	1	
14	YW80010800000	Muffer BSL-01	Assembly	2	
13	YW68005500000	Inner hex. flat end lock screw GB/T177 M5x5-Longzine		1	
12	YW80061800200	Air pipe connector ASL6-1/8	Assembly	2	
11	BH13900700010	3-way valve connector SAL-910G-A-05	6061	1	
10	BL22900000320	Air suction pipe 2 SAL-910G-A-04	SUS201	2	
9	SCD-230U/120H-D-06	3-way valve middle flange	SPH4.0	1	
8	BL22900000120	Air suction pipe 1 SAL-910G-A-03	SUS201	1	
7	YR20258900000	O-type seal ring $\phi 89 \times \phi 2.5$ (ext. dia.)	Rubber	2	
6	BR10651200040	4-way valve diaphragm 65x12x8mm (has mould)	Assembly	1	
5	YW66103200000	Large washer A grade GB/T96 10(10.5x30x2.5)-Longzine		2	
4	YW64101100000	Hex. lock nut M10 (Thickness: 11mm)		1	
3	BH10090000510	Valve body 1 SAL-910G-A-01	YL112	1	
2	YW65006000000	Standard spring washer GB/T93 6-A2-70(SUS)		6	
1	YW61062000300	Inner hex. column lock screw GB/T10.1 M6x20-12.9-Longzine		6	
No.	Material number	Name	Mat.	Num.	Rem.

					Draw.		Ver.		Title	SCD-230U/120H	Drawing no.	Scale	1:5	Num.	1
					Desi.		App.			Three-way Diaphragm Valve	SCD-230U/120H-D-ALL			Mat.	Assembly
					Check		by					Surface req.			
Mark	Before Mark	After Mod.	Modified by	Date	App.		Date	20170206		信易電熱機械股份有限公司 Shini Plastics Technologies, Inc.		Mat No.			



Tech. Req:  
1:1 must reserve 0.5mm clearance between the discharge port body and the discharge port sleeve.

40	YW62040500000	Large cross socket flat head screw J51111 M4x5-Longzine		2
39	SBU-160-38S-V-A-13	Locating pin fixed base	SUS201	1
38	YW69461600000	Manual screw M4x6x16		1
37	YW66000500000	E-washer E5		1
36	SBU-160-38S-V-A-14	Spring	65Mn	1
35	SBU-160-38S-V-A-15	Pin	Q235	1
34	YW69042000200	Cross socket pan head screw GB/T 9074.4-M4x29-Longzine		1
33	SBU-160-50S-V-A-01	Suction port	YL112	1
32	SBU-160-38S-V-A-03	Shut-off body	YL112	1
31	SBU-160-38S-V-A-10	Solenoid valve fixed block	SPCC2.0	1
30	YW63042500000	Cross socket pan head screw GB/T-818 M4x25-Longzine		2
29	YE32421600000	Solenoid valve 4V210-06/AC220V AirTAC	Assembly	1
28	YW69061500000	Butterfly ball GB/T 3098 M6x15		2
27	SBU-160-38S-V-A-05	Suction port	YL112	1
26	YE31255000000	AIRTAC cylinder MAL-CA 25x50	Assembly	1
25	SBU-160-38S-V-A-11	Cylinder fixed piece	SUS201	1
24	SBU-160-38S-V-A-19	Diaphragm Ø63xØ10x3	SUS201	1
23	YW66061200000	Flat washer A grade GB/T97.1 6.6 x 12x1.6-A2-70(SUS)		1
22	YW64060401000	1-type full metal hex lock nut GB/T6170 M6-A2-70(SUS)		1
21	YW60081600100	Hex. bolt GB/T5783 M6x1.6-L-8-Longzine		2
20	SBU-160-38S-V-A-04	Discharge port sleeve	SUS201	1
19	YW61062500500	Inner hex. counter sunk head screw GB/T7183 M6x25-A2-70(SUS)		1
18	YW66061800000	Large flat washer A GB/T96.1 6-Longzine		1
17	SBU-160-38S-V-A-17	Hopper inner washer	SUS201	1
16	SBU-160-38S-V-A-01	Collective body	YL112	1
15	SBU-160-38S-V-A-18	Hopper bottom washer	SUS201	1
14	YW66061300000	Large flat washer A GB/T96.1 6-Longzine		2
13	SBU-160-38S-V-A-09	Shut-off part	SUS201	1
12	BH10160009710	Anti-rotate nut M10x250M lock lock/SBU-160-38S-V-A-21	Assembly	1
11	YW68004500000	Inner hex. flat and lock screw GB/T77 M6x5-Longzine		1
10	YW69051500000	Butterfly ball GB/T 3098 M5x15		4
9	SBU-160-38S-V-A-07	Air refilling port block	SUS201	1
8	YW09051600100	Star rod 5/16(SBU-160-38S-V-22)		2
7	YW69051600000	Butterfly cap 5/16"		2
6	YW66081900000	Flat washer Bx19x2.0-Longzine		6
5	SBU-160-38S-V-A-02	Discharge port	YL112	1
4	YW64080600000	Hex. nut GB/T6170 M8-Longzine		2
3	YW60080300100	Hex. ball GB/T5783 M8x30-8.8-Longzine		2
2	YW06000100000	Coil spring rotating nut (with nut)	Plastics	2
1	YW66081900000	Flat washer Bx19x2.0-Longzine		2

No.	Material number	Name	Mat.	Num	Rem
	SBU-160-38S-V	Shut-off Suction Box			

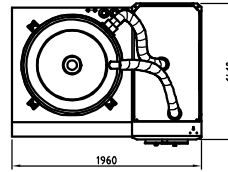
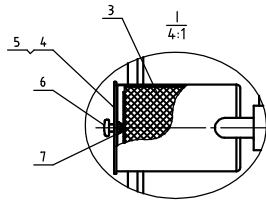
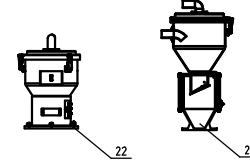
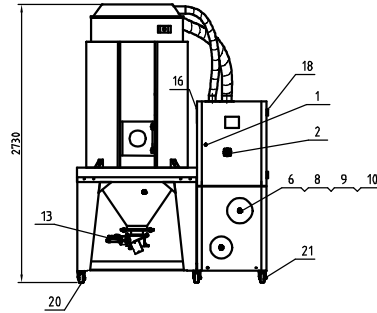
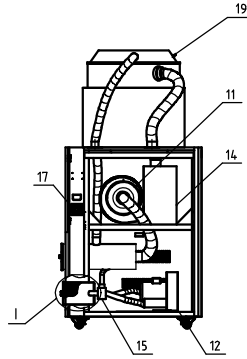
Title	SBU-160-38S-V	Drawing no.	SBU-160-38S-V-A-ALL
Scale	1:4	No.	1
		Mat.	Assembly
Surface req.			
Mat No			

信昌電機機械股份有限公司  
 Shinl Plastics Technologies, Inc.

Mark	Before Mod.	After Mod.	Mod. by	Date	APP	Date



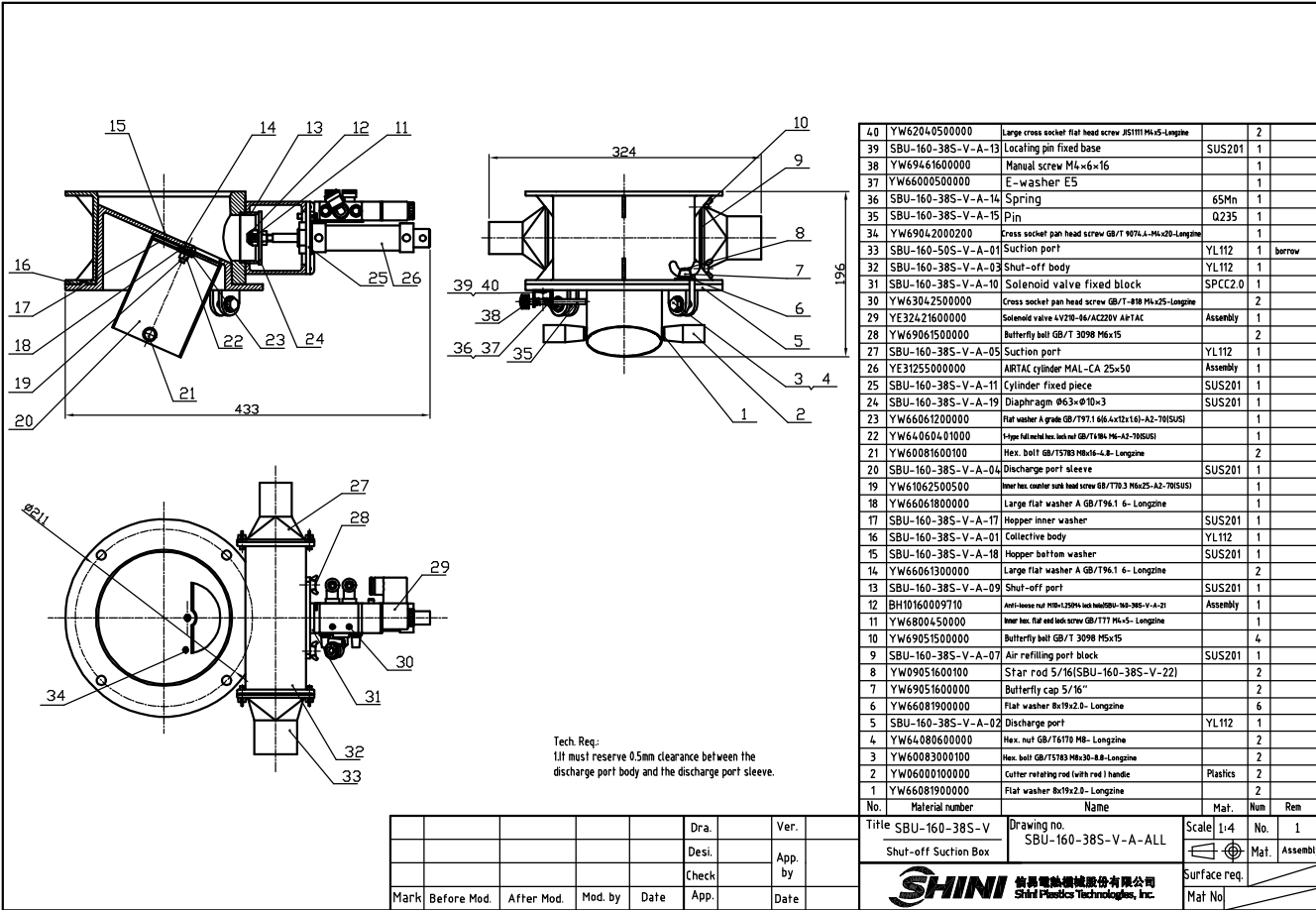
Conveying blower power	Drying blower power	Heating cask power	Required flow	Inlet air pipe	Return air pipe	Drying hopper amount	Model version
1.5KW	0.55KW	18KW	0.9m³/min	4inch	3inch	750L	Ver.E



23	BY2000124.0150	Standard depth polyhammer hopper receiver 500-10.0PH	Assembly	1	
22	BY20012004.350	Euro vanum hopper receiver 500-500V90	Assembly	1	
21	YW030004.00200	Black movable castor 4"		1	
20	YW030004.00000	Black brake castor 4"		1	
19	YE32421600100	Solenoid valve 4V210-06/AC24V		1	
18	YW06203100200	large door hinge CL 203-1(right)		1	
17	YR40120300000	3-in-1 anti-dust plastic screen		1	
16	YM601212064.00	Exhaust fan 10VDC/24VAC		1	
15	SCD-230U120H-D-ALL	Three-way diaphragm valve		1	
14	BH70601800250	Pipe heater 18KW		1	
13	SBU-160-38S-V-A-ALL	Euro shelf-off suction bar		1	
12	BM30042000050	Shoji blower RB-420		1	
11	BM30055000150	Blower 550W		1	
10	BR9040600010	Filter hopper cover		1	
9	YR10026000000	Filter hopper fastener Ø36d		1	
8	YR50241400100	Filter 140C3		1	
7	YW69051600000	Butterfly nut 5/8"		2	
6	YW09675100000	Small start nut 5/8"		2	
5	YR10708000100	Filter hopper fastener Ø18/Ø16d		1	
4	BR9012050010	Filter hopper cover		1	
3	YR50181100000	Filter 140C2		1	
2	YE41104.000000	Door interlock switch		1	
1	YW00816100000	Door lock Ø58x-3		1	

制图	版号	标准	日期
设计	核准		
校对			
审核			
标记	更改前	更改后	更改人
	日期	日期	日期

标准	代号	名称	材质	数量	备注
SDL-750U	图号	SDL-750U-ALL	比例	1:34	数量
欧化热风干燥送料组合			表面要求		材质
<b>SHINI</b>	信昌机械股份有限公司	表面要求			物料号
	Shini Industrial Machinery Co., Ltd.				



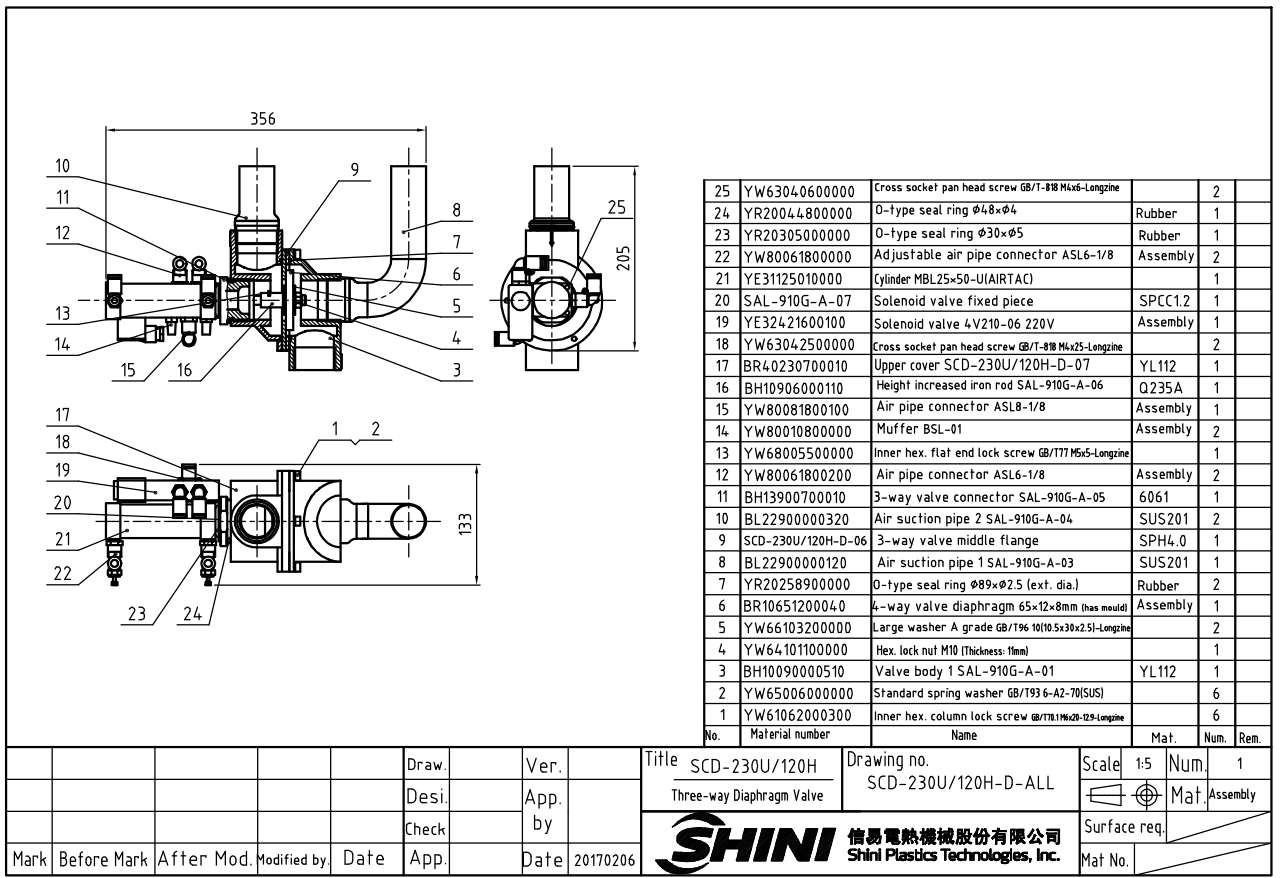
No.	Material number	Name	Mat.	Num	Rem
40	YW62040500000	Large cross socket flat head screw JIS1111 M6x5-Longzine		2	
39	SBU-160-38S-V-A-13	Locating pin fixed base	SUS201	1	
38	YW694616000000	Manual screw M6x6x16		1	
37	YW660005000000	E-washer E5		1	
36	SBU-160-38S-V-A-14	Spring	65Mn	1	
35	SBU-160-38S-V-A-15	Pin	Q235	1	
34	YW69042000200	Cross socket pan head screw GB/T 9074.1-M6x20-Longzine		1	
33	SBU-160-50S-V-A-01	Suction port	YL112	1	borrow
32	SBU-160-38S-V-A-03	Shut-off body	YL112	1	
31	SBU-160-38S-V-A-10	Solenoid valve fixed block	SPCC2.0	1	
30	YW630425000000	Cross socket pan head screw GB/T-818 M6x25-Longzine		2	
29	YE324216000000	Solenoid valve LV210-46/AC220V A#1AC	Assembly	1	
28	YW690615000000	Butterfly ball GB/T 3098 M6x15		2	
27	SBU-160-38S-V-A-05	Suction port	YL112	1	
26	YE312550000000	ARTAC cylinder MAL-CA 25x50	Assembly	1	
25	SBU-160-38S-V-A-11	Cylinder fixed piece	SUS201	1	
24	SBU-160-38S-V-A-19	Diaphragm #6.3-φ10-3	SUS201	1	
23	YW660612000000	Flat washer A grade GB/T7971 6.6x4x1.6-1.3-70(SUS)		1	
22	YW640604010000	Hex. flat head hex. nut GB/T189 M6-A2-70(SUS)		1	
21	YW600816001000	Hex. bolt GB/T5783 M6x3-8.8-Longzine		2	
20	SBU-160-38S-V-A-04	Discharge port sleeve	SUS201	1	
19	YW610625005000	Inner hex. center sunk head screw GB/T70.3 M6x25-A2-70(SUS)		1	
18	YW660618000000	Large flat washer A GB/T196.1 6- Longzine		1	
17	SBU-160-38S-V-A-17	Hopper inner washer	SUS201	1	
16	SBU-160-38S-V-A-01	Collective body	YL112	1	
15	SBU-160-38S-V-A-18	Hopper ball/om washer	SUS201	1	
14	YW660613000000	Large flat washer A GB/T196.1 6- Longzine		2	
13	SBU-160-38S-V-A-09	Shut-off port	SUS201	1	
12	BH10160009710	Anti-leak nut M10-L200% sus metal/80-160-38S-V-A-21	Assembly	1	
11	YW680045000000	Inner hex. flat end lock screw GB/T1171 M6.5- Longzine		1	
10	YW690515000000	Butterfly ball GB/T 3098 M6x15		4	
9	SBU-160-38S-V-A-07	Air refilling port block	SUS201	1	
8	YW090516001000	Star rod 5/16(SBU-160-38S-V-22)		2	
7	YW690516000000	Butterfly cap 5/16"		6	
6	YW660819000000	Flat washer Bx19x2.0- Longzine		6	
5	SBU-160-38S-V-A-02	Discharge port	YL112	1	
4	YW640806000000	Hex. nut GB/T6170 M8- Longzine		2	
3	YW600830001000	Hex. bolt GB/T5783 M8x30-8.8-Longzine		2	
2	YW060001000000	Cutter retainer rod (with rod handle)	Plastics	2	
1	YW660819000000	Flat washer Bx19x2.0- Longzine		2	

Tech. Req:  
I/11 must reserve 0.5mm clearance between the discharge port body and the discharge port sleeve.

Mark	Before Mod.	After Mod.	Mod. by	Date	Dra.	Ver.

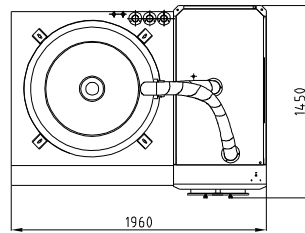
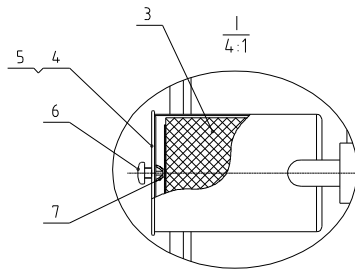
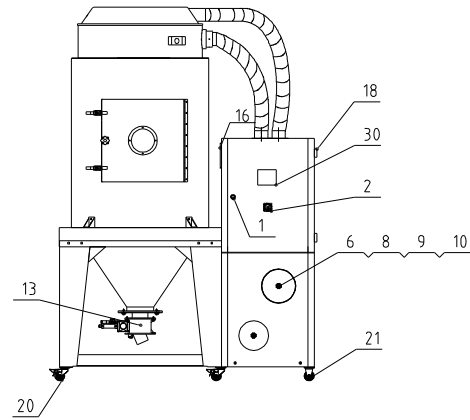
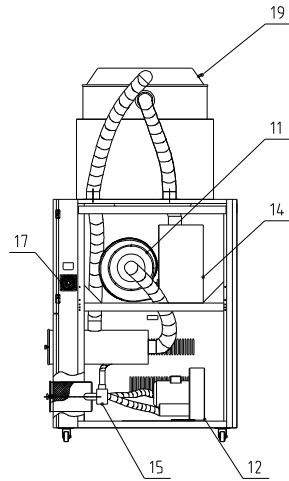
Title	Drawing no.	Scale	No.	1
SBU-160-38S-V Shut-off Suction Box	SBU-160-38S-V-A-ALL	1:4		
		Mat.	Mat.	Assembly
		Surface req.		
		Mat No		





25	YW6304.0600000	Cross socket pan head screw GB/T-818 M4x6-Longzine		2	
24	YR2004.4800000	O-type seal ring $\phi 4.8 \times \phi 4$	Rubber	1	
23	YR20305.0000000	O-type seal ring $\phi 30 \times \phi 5$	Rubber	1	
22	YW8006.1800000	Adjustable air pipe connector ASL6-1/8	Assembly	2	
21	YE31125.0100000	Cylinder MBL25x50-U(AIRTAC)		1	
20	SAL-910G-A-07	Solenoid valve fixed piece	SPCC1.2	1	
19	YE324.21600100	Solenoid valve 4V210-06 220V	Assembly	1	
18	YW6304.2500000	Cross socket pan head screw GB/T-818 M4x25-Longzine		2	
17	BR4.02307.00010	Upper cover SCD-230U/120H-D-07	YL112	1	
16	BH10906.000110	Height increased iron rod SAL-910G-A-06	Q235A	1	
15	YW8008.1800100	Air pipe connector ASL8-1/8	Assembly	1	
14	YW8001.0800000	Muffer BSL-01	Assembly	2	
13	YW6800.5500000	Inner hex. flat end lock screw GB/T771 M5x5-Longzine		1	
12	YW8006.1800200	Air pipe connector ASL6-1/8	Assembly	2	
11	BH13900.700010	3-way valve connector SAL-910G-A-05	6061	1	
10	BL22900.000320	Air suction pipe 2 SAL-910G-A-04	SUS201	2	
9	SCD-230U/120H-D-06	3-way valve middle flange	SPH4.0	1	
8	BL22900.000120	Air suction pipe 1 SAL-910G-A-03	SUS201	1	
7	YR2025.8900000	O-type seal ring $\phi 89 \times \phi 2.5$ (ext. dia.)	Rubber	2	
6	BR1065.120004.0	4-way valve diaphragm 65x12x8mm (has mould)	Assembly	1	
5	YW6610.3200000	Large washer A grade GB/T196 10/10.5x30x2.51-Longzine		2	
4	YW64.101100000	Hex. lock nut M10 (Thickness: 1mm)		1	
3	BH1009.0000510	Valve body 1 SAL-910G-A-01	YL112	1	
2	YW6500.6000000	Standard spring washer GB/T193 6-A2-70(SUS)		6	
1	YW6106.2000300	Inner hex. column lock screw GB/T781 M6x20-12.9-Longzine		6	
No.	Material number	Name	Mat.	Num.	Rem.

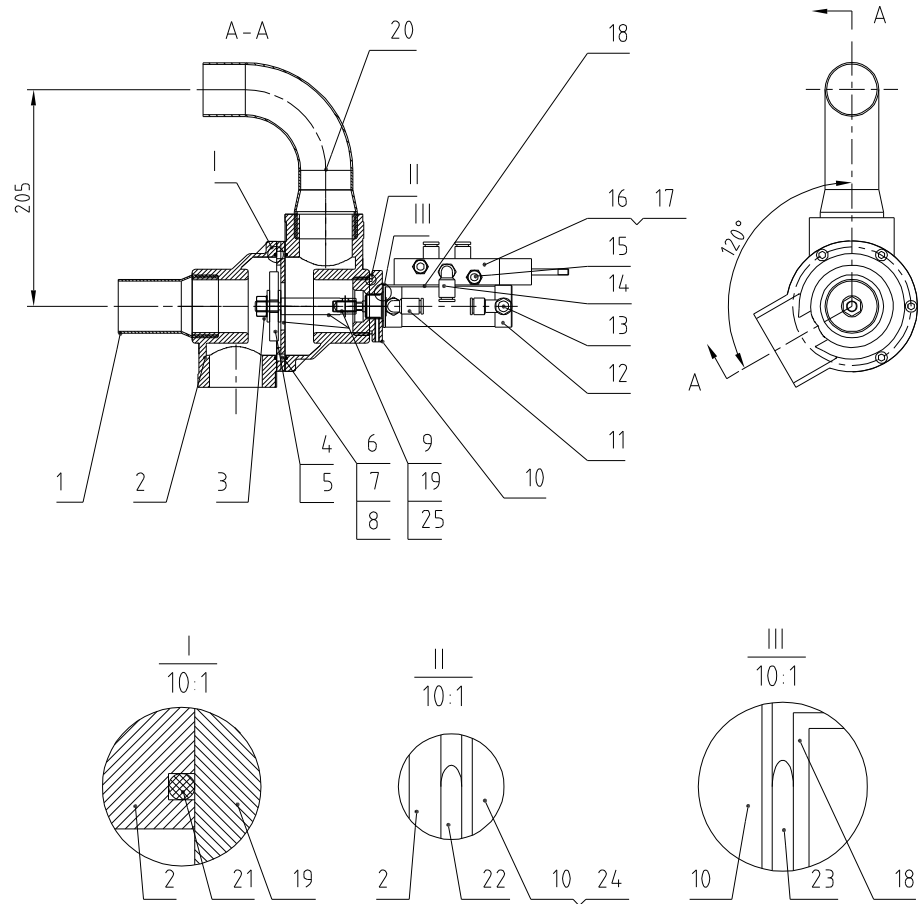
					Draw.		Ver.		Title	SCD-230U/120H	Drawing no.	Scale	1:5	Num.	1
					Desi.		App.		Three-way Diaphragm Valve		SCD-230U/120H-D-ALL			Mat.	Assembly
					Check		by							Surface req.	
Mark	Before Mark	After Mod.	Modified by	Date	App.		Date	20170206	<b>SHINI</b> 信易電熱機械股份有限公司 Shini Plastics Technologies, Inc.			Mat No.			



21	YW030004.00200	4" black movable castor		3	
20	YW030004.00000	4" black movable castor		3	
19	YW800004.00300	Copper silencer BSL-04		1	
18	YW06203100200	Large door hinge CL 203-11L		2	
17	YR4.01203000000	3-in-1 anti-dust plastic screen		1	
16	YM601212064.00	Exhaust fan 12x12CM/24VAC		1	
15	SCD-900U/700H-C-ALL	3-way diaphragm valve		1	
14	BH70601800250	Pipe heater (18KW)		1	
13	SBU-160-50S-V-A-ALL	Shut-off suction box		1	
12	BM30053500050	Conveying blower 550W		1	
11	BM30055000150	Conveying blower 550W		1	
10	BR904.06000010	Filter barrel cover 50-400H-A-40		1	
9	YR10026.0000000	Filter barrel fastener (ø260)		1	
8	YR5024.14.00100	Filter (ADC3)		1	
7	YW69051600000	Butterfly nut 5/16"		2	
6	YW09675100000	Smart nut 5/16"		2	
5	YR10708000100	Filter barrel fastener (100/800G)		1	
4	BR90120500010	Filter barrel cover 50-120H-ALL-05		1	
3	YR50181100000	Filter (ADC2)		1	
2	YE4.1104.0000000	Interlock switch		1	
1	YW00816100000	Door lock IMS816-1I		1	
No.	Material number	Name	Mat.	Num	Rem

					Dra.		Ver.	
					Desi.		App	
					Check		by	
Mark	Before Mod.	After Mod.	Mod. by	Date	App.		Date	

Title		Drawing No.		Scale	1:34	Qty.	1
Dryer Loader		SDL-900U-ALL		Surface Req.		Mat.	
信易電熱機械股份有限公司 Shini Plastics Technologies, Inc.		Mat. No.		BP33090000600			

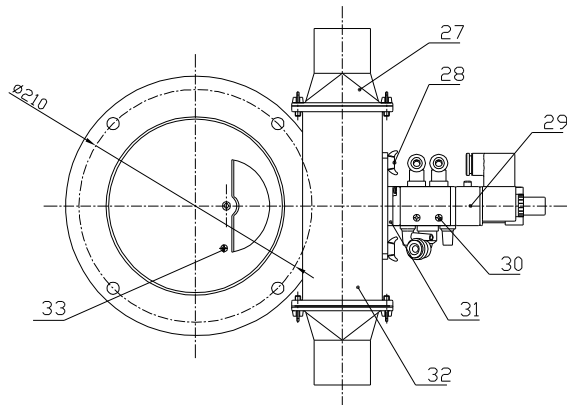
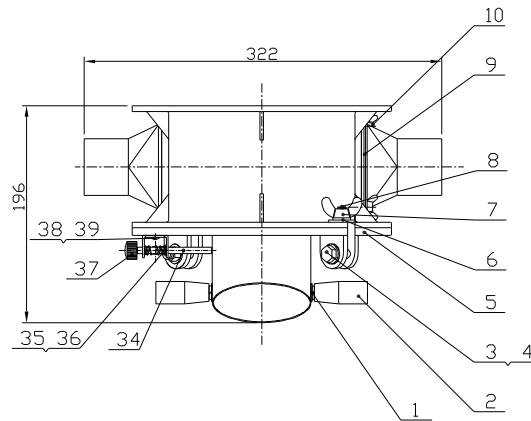
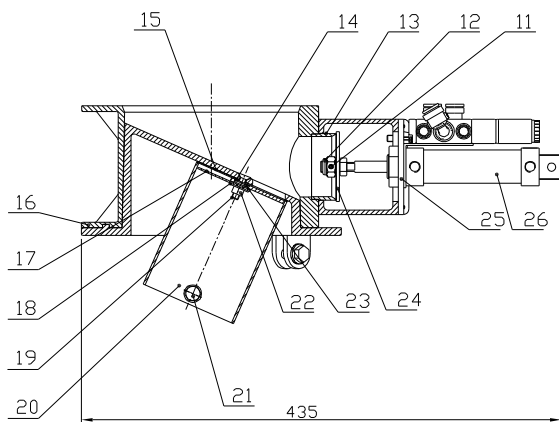


Tech. Req:  
 1. The parts must be cleaned before assembly, without burr, flash, rust, dust, etc;  
 2. Parts shall not be damaged or scratched during assembly.

25	YW68005500000	Inner hex. flat end lock screw GB/T77 M5x5-Longzine		1	
24	YW68041000000	Inner hex. flat end lock screw GB/T77 M6x10-Longzine		1	
23	YR20305000000	O-type seal ring 5xφ30	YI16363	1	
22	YR20044800000	O-type seal ring 4x48	YI16363	1	
21	YR20259800000	O-type seal ring 2.5x98	YI16363	2	
20	SCD-900U/700H-C-05	2" elbow	Welding	1	
19	SCD-900U/700H-C-07	3-way valve middle flange	SPH4.0	1	
18	BL20050000020	Solenoid valve fixed piece	SPCC1.5	1	
17	YW69042000200	Cross socket pan head screw GB/T 9074.4-M6x20-Longzine		2	
16	YE32051800300	Solenoid valve MFH-5-1/8-B	Assembly	1	
15	YW80010800000	Copper silencer BSL-01	62	2	
14	YW80081800100	Air pipe quick connector APL8-1/8	Assembly	1	
13	YW80061800000	Single-way throttle valve ASL6-1/8B	Assembly	1	
12	YE31125010000	Cylinder MBL25x50-U(AIRTAC)	Assembly	1	
11	YW80061800200	Air pipe quick connector APL6-1/8	Assembly	3	
10	SCD-900U/700H-C-03	3-way valve connector	6061	1	
9	SCD-900U/700H-C-02	Height increased iron rod	SUS304	1	
8	YW64000600300	Hex. nut GB/T6170 M6		2	
7	YW61063000200	Inner hex. column head screw GB/T701 M6x30		2	
6	YW61062000300	Inner hex. column head screw GB/T701 M6x20		4	
5	YW66102500000	Flat washer 10x25x1.5		2	
4	BR10651200040	4-way diaphragm valve	Assembly	1	
3	YW64101100000	Non-metal insert hex. nut GB889.1 M10-Longzine		1	
2	SCD-900U/700H-C-06	Lower cover	YL112	2	
1	SCD-900U/700H-C-01	2" suction motor flange	Welding	1	
No.	Material number	Name	Mat.	Num.	Rem.

Draw.	Ver.	0	Title	SCD-900U/700H	Drawing no.	SCD-900U/700H-C-ALL	Scale	1:6	Num.	1
Desi.	App.			Three-way Diaphragm Valve					Mat.	
Check	App.	by					Surface req.			
Mark	Before Mark	After Mod.	Modified by	Date	App.	Date	20090224	Mat No.		





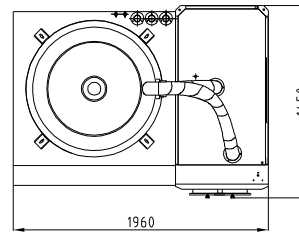
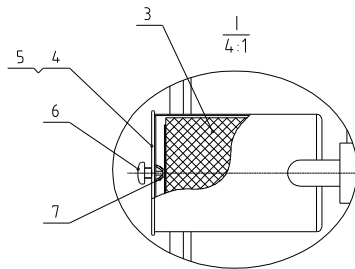
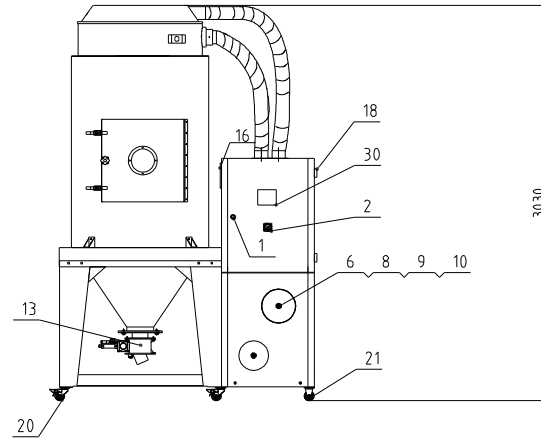
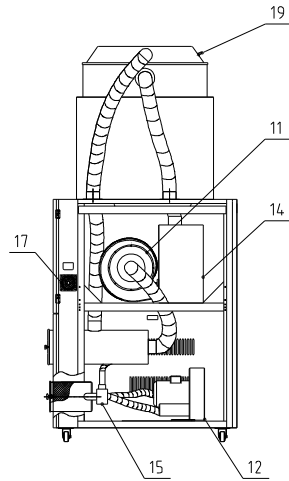
Note: Suitable for SHD-160U and above models.

Tech Req.  
1H must reserve 0.5mm clearance between the discharge port body and the discharge port sleeve.

No.	Material number	Name	Mat.	Num	Rem
39	YW62040500000	Large cross socket flat head screw JIS1111 M4x5-Longzine		2	
38	SBU-160-38S-V-A-13	Locating pin fixed base	SUS201	1	
37	YW69461600000	Manual screw M4x6x16		2	
36	YW66000500000	E-washer E5		1	
35	SBU-160-38S-V-A-14	Spring	65Mn	1	
34	SBU-160-38S-V-A-15	Pin	Q235	1	borrow
33	YW690420002006	Cross socket pan head screw GB/T 9074.4-M4x20-Longzine		1	
32	SBU-160-38S-V-A-03	Shut-off body	YL112	1	borrow
31	SBU-160-38S-V-A-10	Solenoid valve fixed block	SPCC2.0	1	borrow
30	YW63042500000	Cross socket pan head screw GB/T-818 M4x25-Longzine		2	
29	YE32421600000	Solenoid valve 4V210-06/AC220V AirTAC	Assembly	1	
28	YW69061500000	Butterfly bolt GB/T 3098 M6x15		2	
27	SBU-160-50S-V-A-01	Suction port	YL112	2	
26	YE31255000000	AIRTAC cylinder MAL-CA 25x50	Assembly	1	
25	SBU-160-38S-V-A-11	Cylinder fixed piece	SUS201	1	borrow
24	SBU-160-38S-V-A-19	Diaphragm $\phi 63 \times \phi 10 \times 3$	SUS201	1	borrow
23	YW66061200000	Flat washer A grade GB/T971.1 616 4x12x1.61-A2-70(SUS)		1	
22	YW64060401000	1-type full metal hex lock nut GB/T6184 M6-A2-70(SUS)		1	
21	YW60081600100	Hex. bolt GB/T5781 M8x16-L8-Longzine		2	
20	SBU-160-38S-V-A-04	Discharge port sleeve	SUS201	1	borrow
19	YW61062500500	Inner hex. counter sunk head screw GB/T70.3 M6x25-A2-70(SUS)		1	
18	YW66061800000	Large flat washer A GB/T96.1 6-Longzine		1	
17	SBU-160-38S-V-A-17	Hopper inner washer	SUS201	1	borrow
16	SBU-160-38S-V-A-01	Collective body	YL112	1	borrow
15	SBU-160-38S-V-A-18	Hopper bottom washer	SUS201	1	borrow
14	YW66061300000	Large flat washer A GB/T96.1 6-Longzine		2	
13	SBU-160-38S-V-A-09	Shut-off port	SUS201	1	borrow
12	BH10160009710	Anti-loose nut M10-1.25(M6 lock hole)SBU-160-38S-V-A-21	Assembly	1	
11	YW68004500000	Inner hex. flat end lock screw GB/T77 M4-5-Longzine		1	
10	YW69051500000	Butterfly bolt GB/T 3098 M5x15		4	
9	SBU-160-38S-V-A-07	Air refilling port block	SUS201	1	borrow
8	YW09051600100	Star rod 5/16(SBU-160-38S-V-22)		2	
7	YW69051600000	Butterfly cap 5/16"		2	
6	YW66081900000	Flat washer 8x19x2.0-Longzine		6	
5	SBU-160-38S-V-A-02	Discharge port	YL112	1	borrow
4	YW64080600000	Hex. nut GB/T6170 M8-Longzine		2	
3	YW60083000100	Hex. bolt GB/T5783 M8x30-8.8-Longzine		2	
2	YW06001000000	Cutter rotating rod (with rod) handle	Plastics	2	
1	YW66081900000	Flat washer 8x19x2.0-Longzine		2	

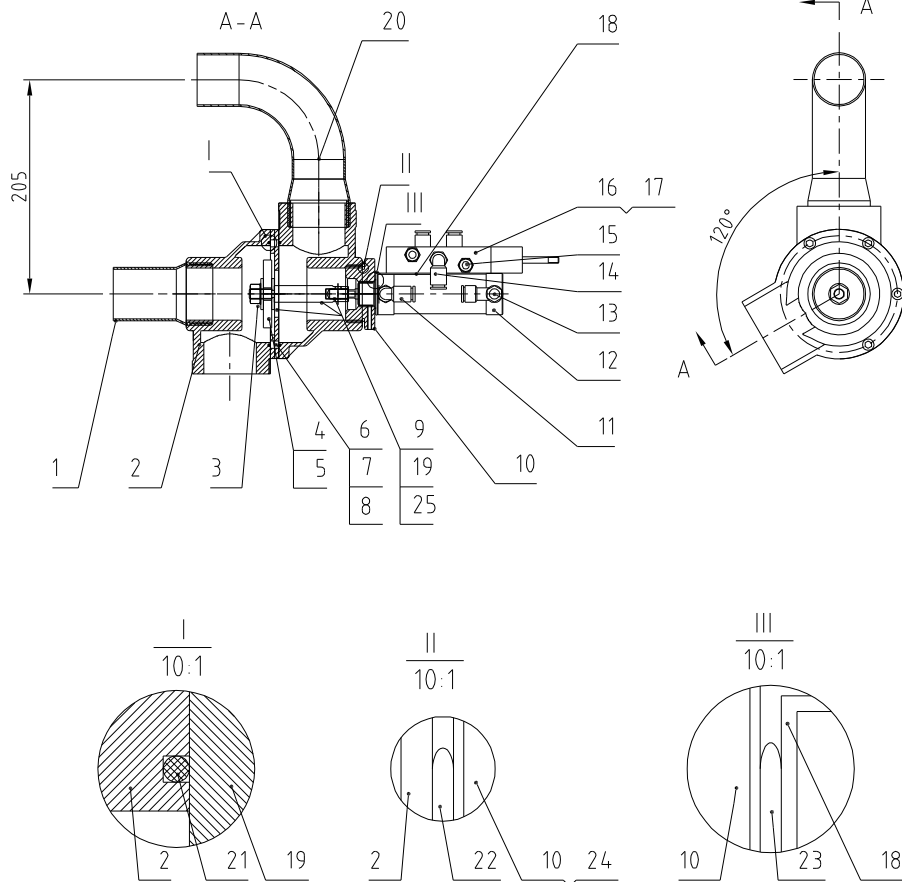
Mark	Before Mod.	After Mod.	Mod. by	Date	App	Date	Dra.	Ver.	App by	Date	Title	Drawing no.	Scale	No.	1
											SBU-160-50S-V	SBU-160-50S-V-A-ALL	1:4		
											Shut-off Suction Box		Mat.	Assembly	
													Surface req.		
													Mat No.		

**SHINI** 信易電熱機械股份有限公司  
Shini Plastics Technologies, Inc.



22	YE32421600100	Solenoid valve 4V210-06/AC24V		1	
21	YW030004.00200	4" black movable castor		3	
20	YW030004.00000	4" black movable castor		3	
19	YW800004.00300	Copper silencer BSL-04		1	
18	YW06203100200	Large door hinge (L 203-HL)		2	
17	YR4.0120300000	3-in-1 anti-dust plastic screen		1	
16	YM601212064.00	Exhaust fan 12-12CM/24VAC		1	
15	SCD-900U/700H-C-ALL	3-way diaphragm valve		1	
14	BH701224.00050	Pipe heater (24KW)		1	
13	SBU-160-50S-V-A-ALL	Shut-off suction box		1	
12	BM30053500050	Conveying blower RB-550		1	
11	BM30113230050	Conveying blower 1.1KW		1	
10	BR904.06000010	Filter barrel cover 50-400H-A-60		1	
9	YR10026000000	Filter barrel fastener (ø260)		1	
8	YR5024.14.00100	Filter (ADC3)		1	
7	YW69051600000	Butterfly nut 5/16"		2	
6	YW09675100000	Smart nut 5/16"		2	
5	YR10708000100	Filter barrel fastener (ø00/800G)		1	
4	BR90120500010	Filter barrel cover 50-120H-ALL-05		1	
3	YR50181100000	Filter (ADC2)		1	
2	YE4.1104.000000	Interlock switch		1	
1	YW00816100000	Door lock IMS816-1)		1	
No.	Material number	Name	Mat.	Num	Rem

					Dra		Ver.		Title	SDL-1200U	Drawing No.	SDL-1200U-ALL	Scale	1:34	Qty.	1	
					Desi.		App		Drying Loader		SDL-1200U-ALL			Mat	Surface Req	Mat	
					Check		App		SHINI 信易電熱機械股份有限公司		SHINI Plastics Technologies, Inc.						Mat. No.
Mark	Before Mod.	After Mod.	Mod. by	Date	App.		Date										



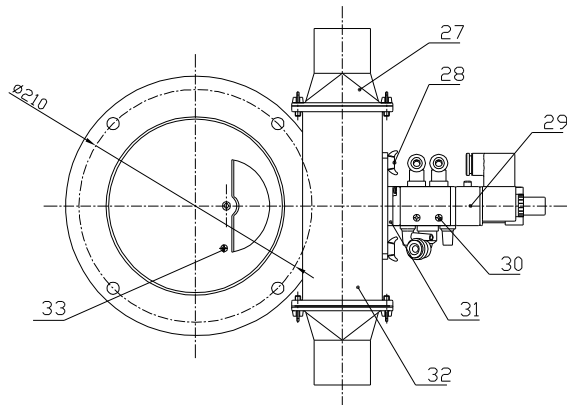
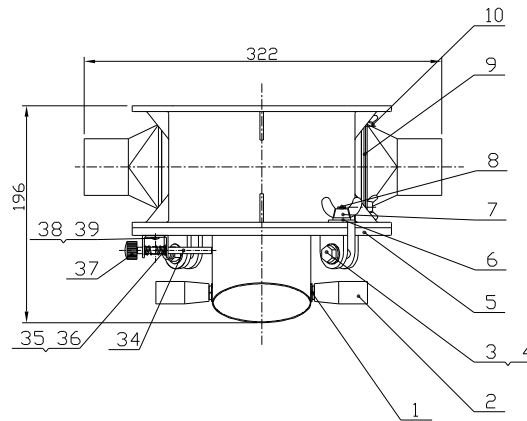
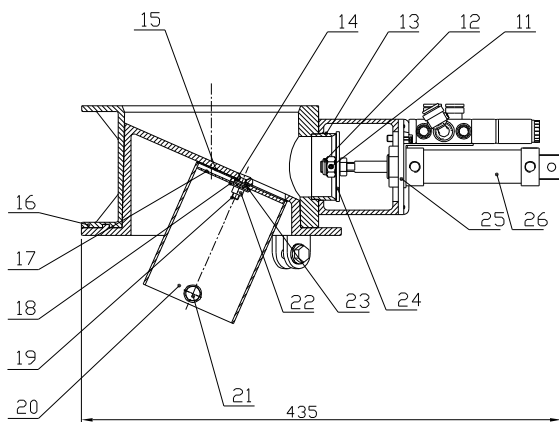
Tech. Req:

1. The parts must be cleaned before assembly, without burr, flash, rust, dust, etc;
2. Parts shall not be damaged or scratched during assembly.

25	YW68005500000	Inner hex. flat end lock screw GB/T177 M5x5-Longzine		1	
24	YW68041000000	Inner hex. flat end lock screw GB/T177 Mx10-Longzine		1	
23	YR20305000000	O-type seal ring 5xφ30	YII6363	1	
22	YR20044800000	O-type seal ring 4x48	YII6363	1	
21	YR20259800000	O-type seal ring 2.5x98	YII6363	2	
20	SCD-900U/700H-C-05	2" elbow	Welding	1	
19	SCD-900U/700H-C-07	3-way valve middle flange	SPH4.0	1	
18	BL20050000020	Solenoid valve fixed piece	SPCC15	1	
17	YW69042000200	Cross socket pan head screw GB/T 9074.4-Mx20-Longzine		2	
16	YE32051800300	Solenoid valve MFH-5-1/8-B	Assembly	1	
15	YW80010800000	Copper silencer BSL-01	62	2	
14	YW80081800100	Air pipe quick connector APL8-1/8	Assembly	1	
13	YW80061800000	Single-way throttle valve ASL6-1/8B	Assembly	1	
12	YE31125010000	Cylinder MBL25x50-U(AIRTAC)	Assembly	1	
11	YW80061800200	Air pipe quick connector APL6-1/8	Assembly	3	
10	SCD-900U/700H-C-03	3-way valve connector	6061	1	
9	SCD-900U/700H-C-02	Height increased iron rod	SUS304	1	
8	YW64000600300	Hex. nut GB/T6170 M6		2	
7	YW61063000200	Inner hex. column head screw GB/T701 Mx30		2	
6	YW61062000300	Inner hex. column head screw GB/T701 Mx20		4	
5	YW66102500000	Flat washer 10x25x15		2	
4	BR10651200040	4-way diaphragm valve	Assembly	1	
3	YW64101100000	Non-metal insert hex. nut GB889.1 M10-Longzine		1	
2	SCD-900U/700H-C-06	Lower cover	YL112	2	
1	SCD-900U/700H-C-01	2" suction motor flange	Welding	1	
No.	Material number	Name	Mat	Num	Rem

					Draw.	Ver.	0	Title	SCD-900U/700H	Drawing no.	Scale	1:6	Num.	1
					Desi.	App.			Three-way Diaphragm Valve	SCD-900U/700H-C-ALL		Mat.		
					Check	by		<b>信易電熱機械股份有限公司</b> <b>Shini Plastics Technologies, Inc.</b>			Surface req.			
Mark	Before Mark	After Mod.	Modified by	Date	App.	Date	20090224		Mat No.					





Note: Suitable for SHD-160U and above models.

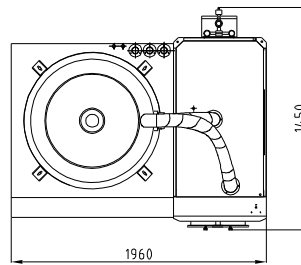
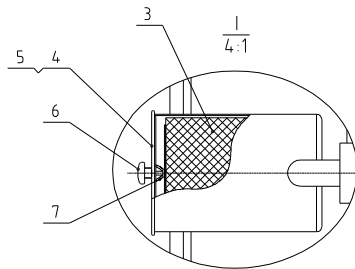
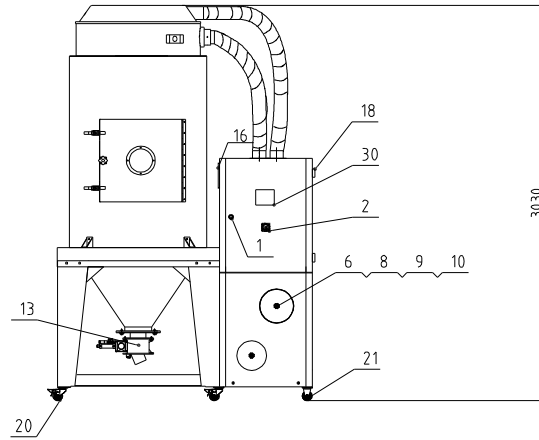
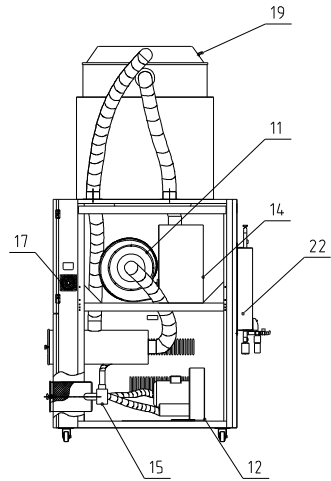
Tech Req.  
1H must reserve 0.5mm clearance between the discharge port body and the discharge port sleeve.

39	YW62040500000	Large cross socket flat head screw JIS1111 M4x5-Longzine		2	
38	SBU-160-38S-V-A-13	Locating pin fixed base	SUS201	1	
37	YW69461600000	Manual screw M4x6x16		2	
36	YW66000500000	E-washer E5		1	
35	SBU-160-38S-V-A-14	Spring	65Mn	1	
34	SBU-160-38S-V-A-15	Pin	Q235	1	borrow
33	YW690420002006	Cross socket pan head screw GB/T 9074.4-M4x20-Longzine		1	
32	SBU-160-38S-V-A-03	Shut-off body	YL112	1	borrow
31	SBU-160-38S-V-A-10	Solenoid valve fixed block	SPCC2.0	1	borrow
30	YW63042500000	Cross socket pan head screw GB/T-818 M4x25-Longzine		2	
29	YE32421600000	Solenoid valve 4V210-06/AC220V AirTAC	Assembly	1	
28	YW69061500000	Butterfly bolt GB/T 3098 M6x15		2	
27	SBU-160-50S-V-A-01	Suction port	YL112	2	
26	YE31255000000	AIRTAC cylinder MAL-CA 25x50	Assembly	1	
25	SBU-160-38S-V-A-11	Cylinder fixed piece	SUS201	1	borrow
24	SBU-160-38S-V-A-19	Diaphragm $\phi 63 \times \phi 10 \times 3$	SUS201	1	borrow
23	YW66061200000	Flat washer A grade GB/T9711 616 4x12x1.61-A2-70(SUS)		1	
22	YW64060401000	1-type full metal hex lock nut GB/T6184 M6-A2-70(SUS)		1	
21	YW60081600100	Hex bolt GB/T5781 M8x16-L8-Longzine		2	
20	SBU-160-38S-V-A-04	Discharge port sleeve	SUS201	1	borrow
19	YW61062500500	Inner hex counter sunk head screw GB/T703 M6x25-A2-70(SUS)		1	
18	YW66061800000	Large flat washer A GB/T9611 6-Longzine		1	
17	SBU-160-38S-V-A-17	Hopper inner washer	SUS201	1	borrow
16	SBU-160-38S-V-A-01	Collective body	YL112	1	borrow
15	SBU-160-38S-V-A-18	Hopper bottom washer	SUS201	1	borrow
14	YW66061300000	Large flat washer A GB/T9611 6-Longzine		2	
13	SBU-160-38S-V-A-09	Shut-off port	SUS201	1	borrow
12	BH10160009710	Anti-loose nut M10-125(M) lock hole(SBU-160-38S-V-A-21)	Assembly	1	
11	YW68004500000	Inner hex flat end lock screw GB/T77 M4x5-Longzine		1	
10	YW69051500000	Butterfly bolt GB/T 3098 M5x15		4	
9	SBU-160-38S-V-A-07	Air refilling port block	SUS201	1	borrow
8	YW09051600100	Star rod 5/16(SBU-160-38S-V-22)		2	
7	YW69051600000	Butterfly cap 5/16"		2	
6	YW66081900000	Flat washer 8x19x2.0-Longzine		6	
5	SBU-160-38S-V-A-02	Discharge port	YL112	1	borrow
4	YW64080600000	Hex nut GB/T6170 M8-Longzine		2	
3	YW60083000100	Hex bolt GB/T5783 M8x30-8.8-Longzine		2	
2	YW06000100000	Cutter rotating rod (with rod) handle	Plastics	2	
1	YW66081900000	Flat washer 8x19x2.0-Longzine		2	

No.	Material number	Name	Mat.	Num	Rem
Title SBU-160-50S-V			Drawing no. SBU-160-50S-V-A-ALL		
Shut-off Suction Box			Scale 1:4 No. 1		
			Mat. Assembly		
			Surface req.		
			Mat No.		

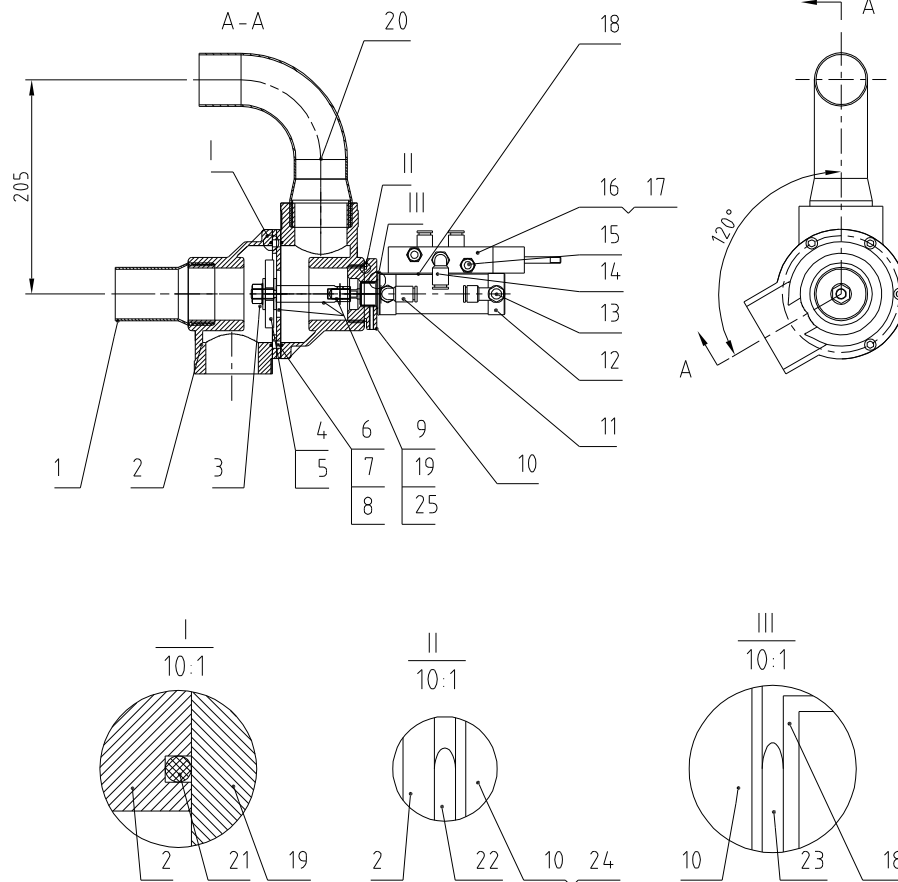
Mark	Before Mod.	After Mod.	Mod. by	Date	App	Date

**SHINI** 信易電熱機械股份有限公司  
Shini Plastics Technologies, Inc.



22	YE90112100000	Heatless regen. dryer		1	
21	YW030004.00200	4" black movable castor		3	
20	YW030004.00000	4" black movable castor		3	
19	YW800004.00300	Copper silencer BSL-04		1	
18	YW06203100200	Large door hinge CL 203-11L		2	
17	YR4.01203000000	3-in-1 anti-dust plastic screen		1	
16	YM601212064.00	Exhaust fan 12x12CM/24VAC		1	
15	SCD-900U/700H-C-ALL	3-way diaphragm valve		1	
14	BH701224.00050	Pipe heater (24KW)		1	
13	SBU-160-50S-V-A-ALL	Shut-off suction box		1	
12	BM30053500050	Conveying blower RB-550		1	
11	BM30113230050	Conveying blower 1.1KW		1	
10	BR904.06000010	Filter barrel cover 50-400H-A-60		1	
9	YR10026000000	Filter barrel fastener (ø260)		1	
8	YR5024.14.00100	Filter (ADC3)		1	
7	YW69051600000	Butterfly nut 5/16"		2	
6	YW09675100000	Smart nut 5/16"		2	
5	YR10708000100	Filter barrel fastener (100/800)		1	
4	BR90120500010	Filter barrel cover 50-120H-ALL-05		1	
3	YR50181100000	Filter (ADC2)		1	
2	YE41104.0000000	Interlock switch		1	
1	YW00816100000	Door lock IMS816-1)		1	
No.	Material number	Name	Mat	Num	Rem

					Dra		Ver.		Title	SDL-1200U-HD	Drawing No.	SDL-1200U-HD-ALL	Scale	1:34	Qty	1
					Desi.		App.		Drying Loader		SDL-1200U-HD-ALL		Surface Req		Mat	
Mark	Before Mod	After Mod.	Mod by	Date	App.		Date		<b>信易電熱機械股份有限公司</b> <b>Shini Plastics Technologies, Inc.</b>							

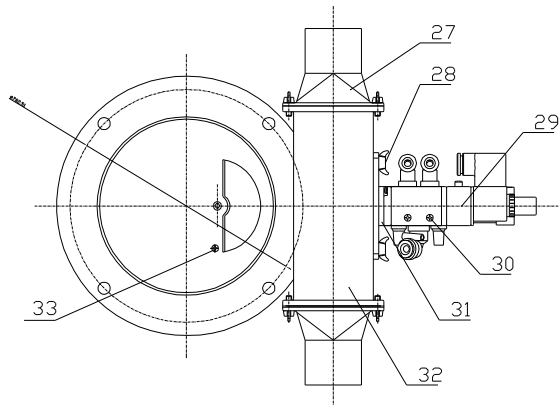
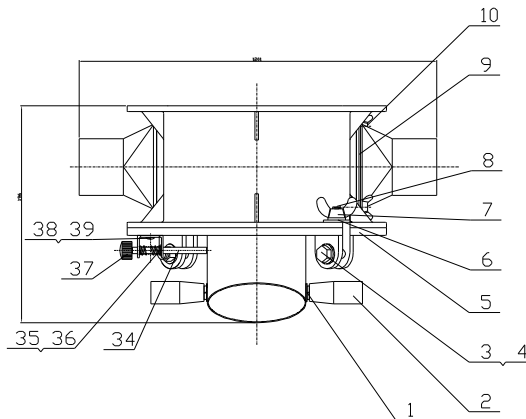
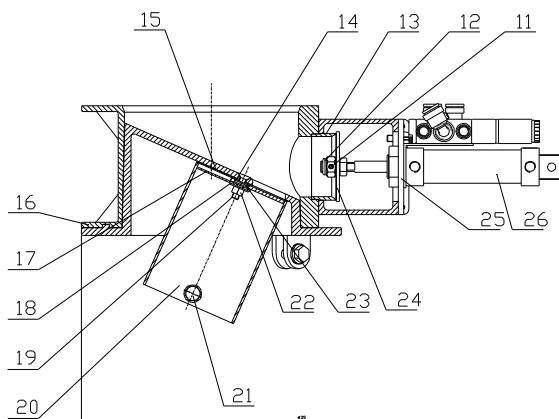


Tech. Req:

1. The parts must be cleaned before assembly, without burr, flash, rust, dust, etc;
2. Parts shall not be damaged or scratched during assembly.

No.	Material number	Name	Mat	Num	Rem
25	YW68005500000	Inner hex. flat end lock screw GB/T177 M5x5-Longzine		1	
24	YW68041000000	Inner hex. flat end lock screw GB/T177 Mx10-Longzine		1	
23	YR20305000000	O-type seal ring 5xφ30	YII6363	1	
22	YR20044800000	O-type seal ring 4x48	YII6363	1	
21	YR20259800000	O-type seal ring 2.5x98	YII6363	2	
20	SCD-900U/700H-C-05	2" elbow	Welding	1	
19	SCD-900U/700H-C-07	3-way valve middle flange	SPH4.0	1	
18	BL20050000020	Solenoid valve fixed piece	SPCC15	1	
17	YW69042000200	Cross socket pan head screw GB/T 9074.4-Mx20-Longzine		2	
16	YE32051800300	Solenoid valve MFH-5-1/8-B	Assembly	1	
15	YW80010800000	Copper silencer BSL-01	62	2	
14	YW80081800100	Air pipe quick connector APL8-1/8	Assembly	1	
13	YW80061800000	Single-way throttle valve ASL6-1/8B	Assembly	1	
12	YE31125010000	Cylinder MBL25x50-U(AIRTAC)	Assembly	1	
11	YW80061800200	Air pipe quick connector APL6-1/8	Assembly	3	
10	SCD-900U/700H-C-03	3-way valve connector	6061	1	
9	SCD-900U/700H-C-02	Height increased iron rod	SUS304	1	
8	YW64000600300	Hex. nut GB/T6170 M6		2	
7	YW61063000200	Inner hex. column head screw GB/T701 Mx30		2	
6	YW61062000300	Inner hex. column head screw GB/T701 Mx20		4	
5	YW66102500000	Flat washer 10x25x15		2	
4	BR10651200040	4-way diaphragm valve	Assembly	1	
3	YW64101100000	Non-metal insert hex. nut GB889.1 M10-Longzine		1	
2	SCD-900U/700H-C-06	Lower cover	YL112	2	
1	SCD-900U/700H-C-01	2" suction motor flange	Welding	1	

Mark	Before Mark	After Mod.	Modified by	Date	App.	Date	20090224	<b>信易電熱機械股份有限公司</b> <b>Shini Plastics Technologies, Inc.</b>	Surface req.		
Draw.					Ver.	0	Title		SCD-900U/700H Three-way Diaphragm Valve	Drawing no.	SCD-900U/700H-C-ALL
Desi.					App.		Scale		1:6	Num.	1
Check					by		Mat.				
Mat.							Surface req.				
							Mat No.				



Note: Suitable for SHD-160U and above models.

Tech Req.  
1H must reserve 0.5mm clearance between the discharge port body and the discharge port sleeve.

No.	Material number	Name	Mat.	Num	Rem
39	YW62040500000	Large cross socket flat head screw JIS1111 M4x5-Longzine		2	
38	SBU-160-38S-V-A-13	Locating pin fixed base	SUS201	1	
37	YW69461600000	Manual screw M4x6x16		2	
36	YW66000500000	E-washer E5		1	
35	SBU-160-38S-V-A-14	Spring	65Mn	1	
34	SBU-160-38S-V-A-15	Pin	Q235	1	borrow
33	YW690420002006	Cross socket pan head screw GB/T 9074.4-M4x20-Longzine		1	
32	SBU-160-38S-V-A-03	Shut-off body	YL112	1	borrow
31	SBU-160-38S-V-A-10	Solenoid valve fixed block	SPCC2.0	1	borrow
30	YW63042500000	Cross socket pan head screw GB/T-818 M4x25-Longzine		2	
29	YE32421600000	Solenoid valve 4V210-06/AC220V AirTAC	Assembly	1	
28	YW69061500000	Butterfly bolt GB/T 3098 M6x15		2	
27	SBU-160-50S-V-A-01	Suction port	YL112	2	
26	YE31255000000	AIRTAC cylinder MAL-CA 25x50	Assembly	1	
25	SBU-160-38S-V-A-11	Cylinder fixed piece	SUS201	1	borrow
24	SBU-160-38S-V-A-19	Diaphragm Ø63xØ10x3	SUS201	1	borrow
23	YW66061200000	Flat washer A grade GB/T9711 616 4x12x1.61-A2-70(SUS)		1	
22	YW64060401000	1-type full metal hex lock nut GB/T6184 M6-A2-70(SUS)		1	
21	YW60081600100	Hex bolt GB/T5781 M8x16-L8-Longzine		2	
20	SBU-160-38S-V-A-04	Discharge port sleeve	SUS201	1	borrow
19	YW61062500500	Inner hex counter sunk head screw GB/T703 M6x25-A2-70(SUS)		1	
18	YW66061800000	Large flat washer A GB/T9611 6-Longzine		1	
17	SBU-160-38S-V-A-17	Hopper inner washer	SUS201	1	borrow
16	SBU-160-38S-V-A-01	Collective body	YL112	1	borrow
15	SBU-160-38S-V-A-18	Hopper bottom washer	SUS201	1	borrow
14	YW66061300000	Large flat washer A GB/T9611 6-Longzine		2	
13	SBU-160-38S-V-A-09	Shut-off port	SUS201	1	borrow
12	BH10160009710	Anti-loose nut M10-125(M) lock hole(SBU-160-38S-V-A-21)	Assembly	1	
11	YW68004500000	Inner hex flat end lock screw GB/T77 M4-5-Longzine		1	
10	YW69051500000	Butterfly bolt GB/T 3098 M5x15		4	
9	SBU-160-38S-V-A-07	Air refilling port block	SUS201	1	borrow
8	YW09051600100	Star rod 5/16(SBU-160-38S-V-22)		2	
7	YW69051600000	Butterfly cap 5/16"		2	
6	YW66081900000	Flat washer 8x19x2.0-Longzine		6	
5	SBU-160-38S-V-A-02	Discharge port	YL112	1	borrow
4	YW64080600000	Hex nut GB/T6170 M8-Longzine		2	
3	YW60083000100	Hex bolt GB/T5783 M8x30-8.8-Longzine		2	
2	YW06000100000	Cutter rotating rod (with rod) handle	Plastics	2	
1	YW66081900000	Flat washer 8x19x2.0-Longzine		2	

Mark	Before Mod.	After Mod.	Mod. by	Date	App	Date

Title SBU-160-50S-V		Drawing no. SBU-160-50S-V-A-ALL		Scale 1:4	No. 1
				Mat. Assembly	
				Surface req.	
				Mat No.	

