

Cooling Consumption Monitor

SCC-20



Refer carefully to this manual before operation.

SCC Series

■ Coding Principle

SCC - XX



Notes*

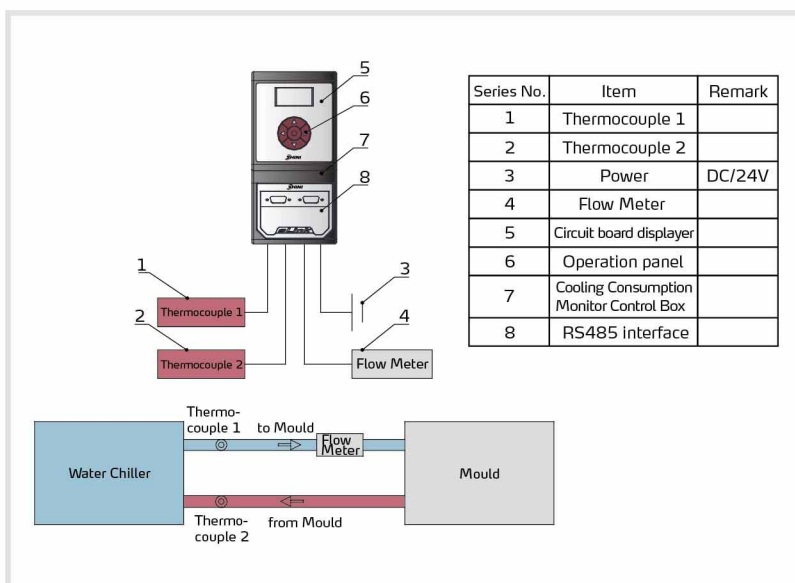
For example: Pipe diameter 1/2" or 3/4" is for SCC-20;

Pipe diameter 1-1 / 2 " or 2" is for SCC-50;

■ Features

- Non-contact ultra-sonic flow measurement and temperature monitoring system to realize real-time displaying flow and temperature parameters.
- Adopts special cooling consumption board with concise panel for easy operation.
- Adopt clamp-on flow meter for convenient installation, and the shell protection grade IP65/67 and multiple models for various pipe diameters.
- Real-time monitoring of the input or/and output water flow, temperature, cooling capacity, and total consumption.
- RS485 communication function can communicate with the host to realize centralized parameters monitoring and data logging.

■ Working Principle

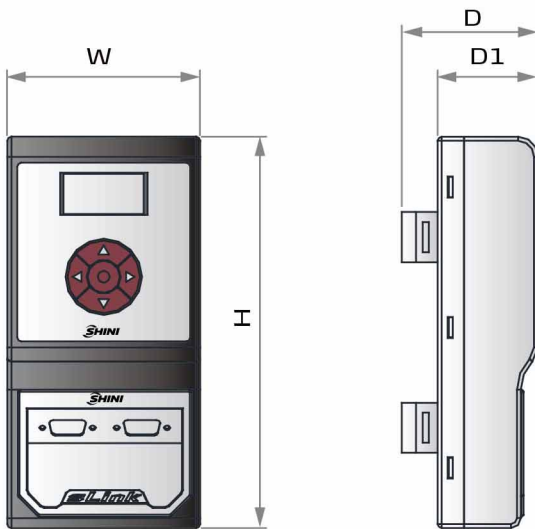


After powered on (3), SCC monitor starts to work, and thermocouple (1), thermocouple (2) and flow meter (4) real time collect signal parameters and display the calculated data of the collected parameters on the circuit board through the controller's (5) analysis and calculation. It through the touch panel (6) to switch the parameters to be displayed, including water system flow, water input and output temperature, instantaneous cooling capacity and total cooling consumption; Through the communication interface (8), the collected data can be uploaded to the monitoring host that can achieve centralized monitoring and recording of the signal parameters.

■ Application

SCC is designed to achieve precision monitoring of water flow, temperature, cooling capacity and total consumption. It can provide data to monitoring host, which is convenient for centralized monitoring, analysis, logging, and operation, providing users with a more comprehensive basis for analysis, judgment, and adjustment. It is a necessary component for the modern plastic industry to improve efficiency and quality.

■ Outline Drawings



■ Specifications

Model	SCC-10	SCC-20	SCC-32	SCC-50
Working Temp	0~100℃	0~100℃	0~100℃	0~100℃
Applicable Diameter	1/4" ⁽¹⁾ or 3/8" ⁽²⁾	1/2" ⁽¹⁾ or 3/4" ⁽²⁾	1" ⁽¹⁾ or 1-1/4" ⁽²⁾	1-1/2" ⁽¹⁾ or 2" ⁽²⁾
Measuring Range (L/min)	1~20 ⁽¹⁾	1~60 ⁽¹⁾	1~200 ⁽¹⁾	1~400 ⁽¹⁾
	1~30 ⁽²⁾	1~100 ⁽²⁾	1~300 ⁽²⁾	1~500 ⁽²⁾
Thermocouple Size (inch)	1/2"	1/2"	1/2"	1/2"
Dimensions H×W×D×D1(mm)	195×96×68×50	195×96×68×50	195×96×68×50	195×96×68×50
Weight(kg)	1.5	1.5	1.5	1.5

Note: 1) The measuring range corresponds to the pipe diameter subscript. For example, if SCC-10 uses pipe diameter 1/4"⁽¹⁾, then the measuring range is 1-20 L / min⁽²⁾.

2) Machine power:DC/24V.

We reserve the right to change specifications without prior notice.

Shini Group

Addr: No. 23, Minhe St., Shulin Dist.,
New Taipei, Taiwan

Tel: +886 2 2680 9119

Fax: +886 2 2680 9229

Email: shini@shini.com

Factories:

- Taiwan
- Dongguan
- Pinghu
- Ningbo
- Chongqing
- Pune

2020-01-15-04 Copyrights Reserved.

www.shini.com