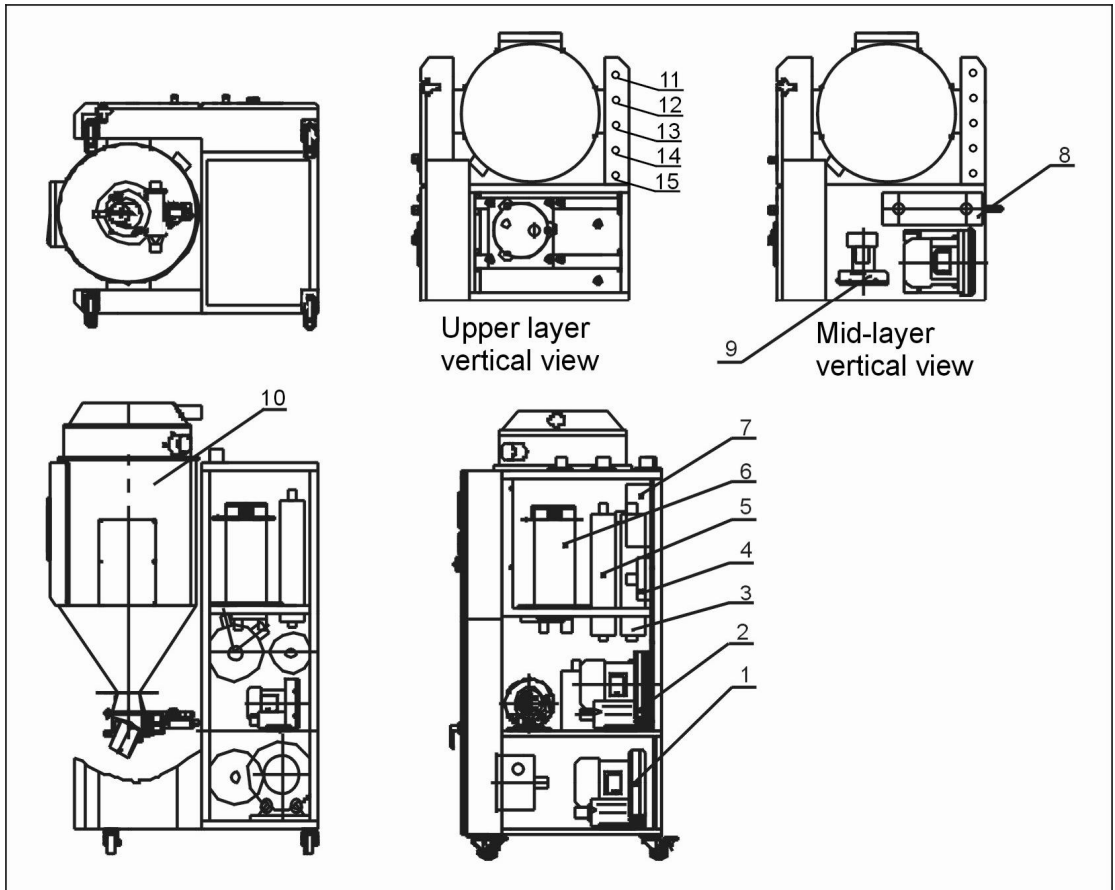


2.5 Drawing and Parts List

2.5.1 Structural Drawing

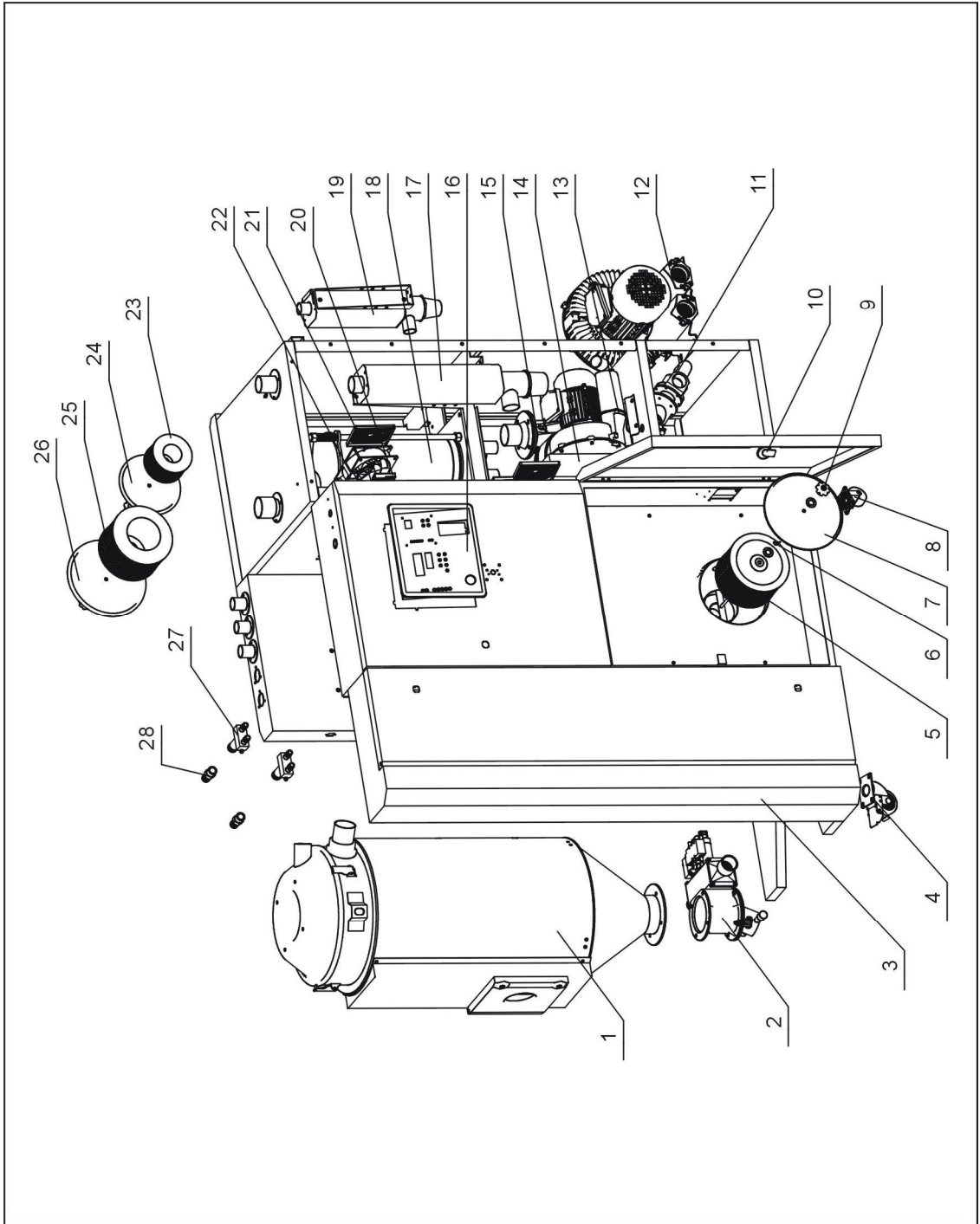


Names of Parts:

- | | | | |
|--|--|------------------------|----------------------|
| 1. Conveying blower | 2. Process blower | 3. Process heater | 4. Return-air filter |
| 5. Regenerating heater | 6. Honeycomb-rotor | 7. Regenerating filter | 8. After cooler |
| 9. Regenerating blower | 10. Drying hopper | 11. Material line | 12. Vacuum line 1 |
| 13. Vacuum line 2 | 14. Material line (option for three-stage conveying) | | |
| 15. Vacuum line (option for three-stage conveying) | | | |

Picture 2-4: Structural Drawing

2.5.2 Assembly Drawing (Fully-integral design) (SCD-20U/40H~80U/40H)



Remarks: Please refer to material list 2.5.3 for specific explanation of the Arabic numbers in parts drawing.

Picture 2-5: Assembly Drawing (Fully-integral design)(SCD-20U/40H~80U/40H)

2.5.3 Parts List (Fully-integral design)(SCD-20U/40H~80U/40H)

Table 2-1: Parts List (Fully-integral design)(SCD-20U/40H~80U/40H)

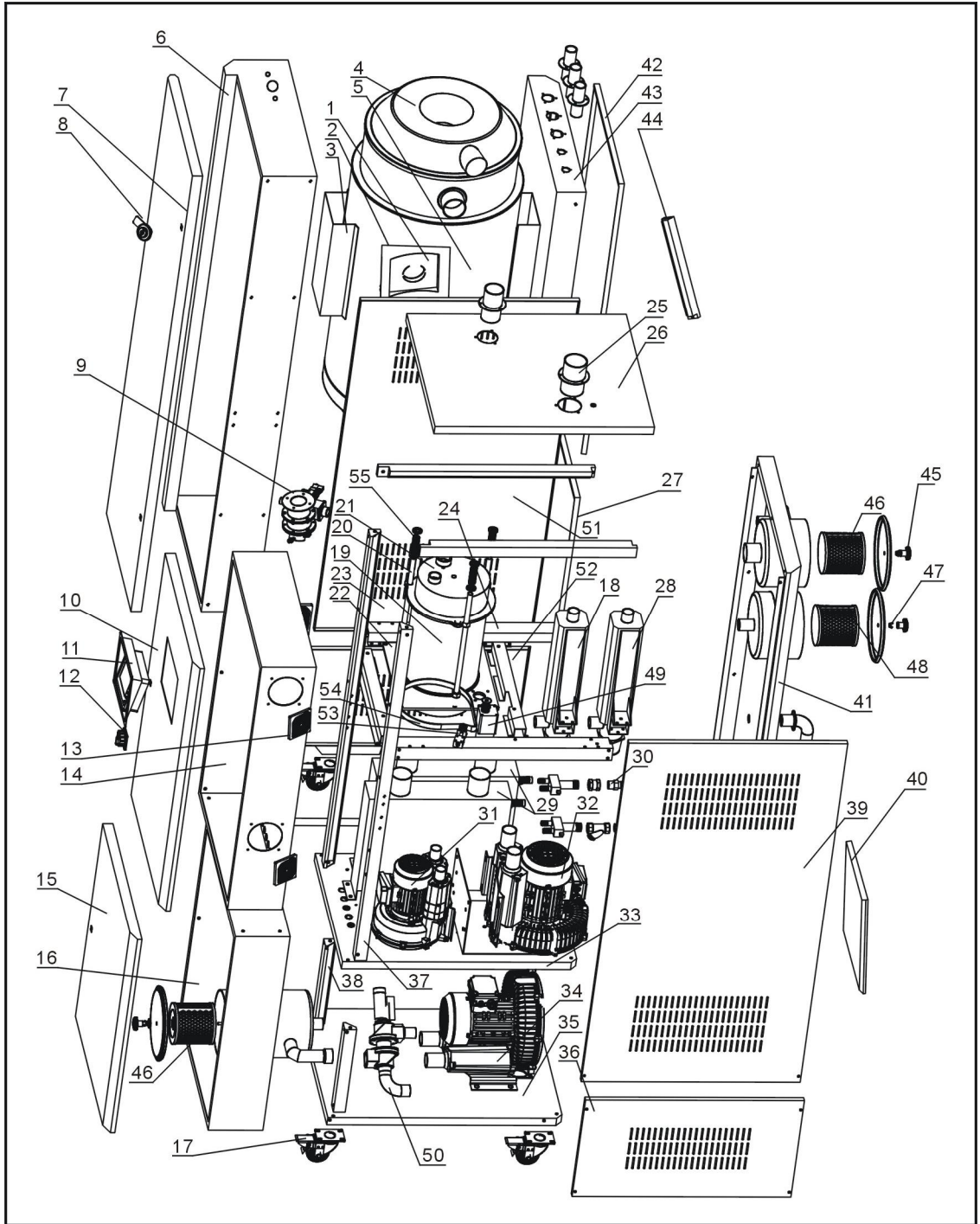
No.	Description	Part No.		
		20U/40H	40U/40H	80U/40H
1	Hopper metal plate	BK08020500120	BK08040500120	BK08080500120
2	Cut-off valve type suction box	BY10203800050	BY10203800050	BY10203800050
3	rack metal plate	BK08204000120	BK08404000020	BK08804000020
4	Black brake castor 3"	YW03000300000	YW03000300000	YW03000300000
5	Conveying filter SAL-700/800G	YR50708000200	YR50708000200	YR50708000200
6	Butterfly nut 5/16"	YW69051600000	YW69051600000	YW69051600000
7	Filter barrel lid	YL21000600000	YL21000600000	YL21000600000
8	Black movable castor 3"	YW03000300200	YW03000300200	YW03000300200
9	Star knob 5/16"	YW09675100000	YW09675100000	YW09675100000
10	Door lock (MS816-1 with black key)	YW00816100000	YW00816100000	YW00816100000
11	Three-way valve	BY20001500050	BY20001500050	BY20001500050
12	Conveying blower*	BM30042000050	BM30042000050	BM30042000050
13	Regen. blower *	BM30012500050	BM30012500050	BM30012500050
14	Cooler	BW88080000020	BW88080000020	BW88080000020
15	Drying blower	BM40338000150	BM40338000150	BM40338000150
16	Plastic panel	YR40000400400	YR40000400400	YR40000400400
17	Drying heater	-	-	-
18	Honeycomb assembly	-	-	-
19	Regen. heater	-	-	-
20	Big hinge CL203-1(right)	YW06203100200	YW06203100200	YW06203100200
21	Fan assembly	YM60121200400	YM60121200400	YM60121200400
22	Anti-dust screen	YR40120300000	YR40120300000	YR40120300000
23	Regen.filter	YR50128300100	YR50128300100	YR50128300100
24	Filter barrel lid	YL21000300000	YL21000300000	YL21000300000
25	Circulation filter	YR50128300100	YR50128300100	YR50128300100
26	Filter barrel lid	YL21000300000	YL21000300000	YL21000300000
27	Water flow regulator	-	-	-
28	Copper insert core M23*3/4"	BH12223400010	BH12223400010	BH12223400010

* means possible broken parts.

** means easy broken part. and spare backup is suggested.

Please confirm the version of manual before placing the purchase order to guarantee that the item number of the spare part is in accordance with the real object.

2.5.4 Assembly Drawing (Fully-integral design) (SCD-120U/80H~230U/120H)



Remarks: Please refer to material list 2.5.5 for specific explanation of the Arabic numbers in parts drawing.

Picture 2-6: Assembly Drawing (Fully-integral design) (SCD-120U/80H~230U/120H)

2.5.5 Parts List (Fully-integral design)(SCD-120U/80H~230U/120H)

Table 2-2: Parts List (Fully-integral design)(SCD-120U/80H~230U/120H)

No.	Description	Part No.		
		120U/80H	160U/120H	230U/120H
1	Sight-glass window	-	-	-
2	Sight-glass window fixing plate	-	-	-
3	Hopper fixing plate	-	-	-
4	Hopper top cover	-	-	-
5	Insulated hopper	-	-	-
6	Front door frame	-	-	-
7	Front door plate	-	-	-
8	An electric cabinet door lock	-	-	-
9	Cut-off valve type suction box	YW00717100000	YW00717100000	YW00717100000
10	Control box door	-	-	-
11	Touch screen	YE80350100000	YE80350100000	YE80350100000
12	Main switch*	YE10200300000	YE10200300000	YE10220300000
13	Exhaust fan**	YM60121200400	YM60121200400	YM60121200400
14	Control box	-	-	BH36023000350
15	Front door plate (left)	-	-	-
16	Front plate (left)	-	-	-
17	Castor	YW03000300200	YW03000300200	YW03000300200
		YW03000300000	YW03000300000	YW03000300000
18	Process heater*	BH70160600150	BH70160600150	BH70160600150
19	Honeycomb	YW71183000100	YW71184000100	YW71184000100
20	Double-head screw	BH10543000040	BH10554500040	BH10554500010
21	Honeycomb upper cover	BA40508000130	BA40508000130	BA40508000130
22	Honeycomb bottom cover	BA40508000030	BA40508000030	BA40508000030
23	Right side plate	-	-	-
24	Honeycomb mounting bracket	-	-	YW72253600000
25	Flange	-	-	-
26	Top plate	-	-	-
27	Rear plate lower cover	-	-	YE31325000200
28	Regen. heater*	BH70800300050	BH70800300050	BH70800300050
29	Cooler	BW88080000020	BW88080000020	BW88080000020
		BW88008000020	BW88008000020	BW88008000020
30	Copper insert core	BH12223400010	BH12223400010	BH12223400010
31	Regen. blower*	BM30012500050	BM30012500050	BM30012500050
32	Process blower*	BM30031000150	BM30031000150	BM30031000150
33	Middle separating plate	-	-	-

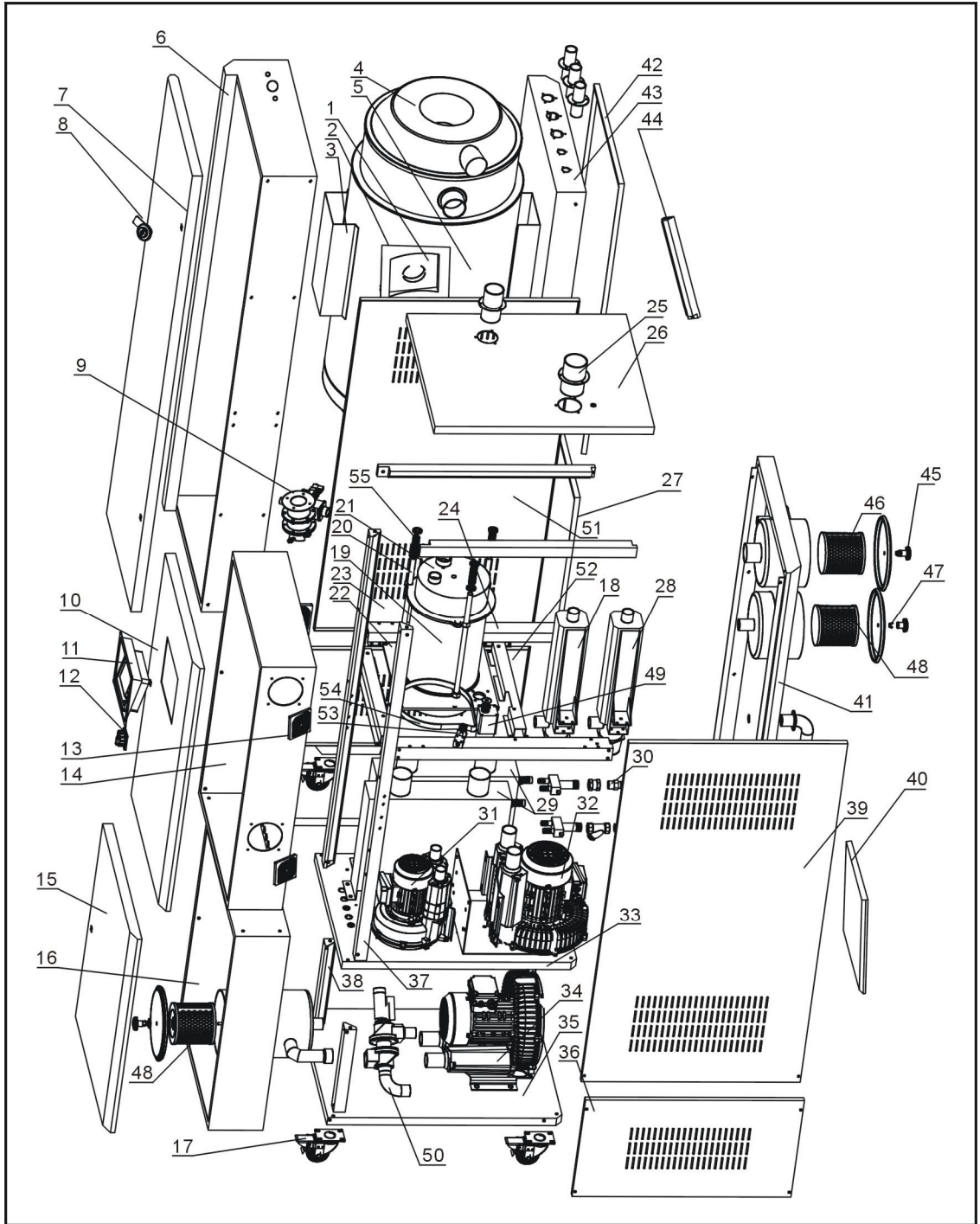
No.	Description	Part No.		
		120U/80H	160U/120H	230U/120H
34	Conveying blower*	BM30042000050	BM30042000050	BM30042000050
35	Bottom plate	-	-	-
36	Right bottom side plate	-	-	-
37	Top standing pole	-	-	-
38	Bottom standing pole	-	-	-
39	Right upper side plate	-	-	-
40	Rear plate at the bottom	-	-	-
41	Rear plate at the top	-	-	-
42	Rear plate cover	-	-	-
43	Rear plate	-	-	YM50616400100
44	Rear plate bar	-	-	YE32051800300
45	Star knob	YW09675100000	YW09675100000	YW09675100000
46	Filter 700/800G **	YR50708000100	YR50708000100	YR50708000100
47	Butterfly nut	YW69000800000	YW69000800000	YW69000800000
48	Filter ADC18 **	YR50128300000	YR50128300000	YR50128300000
49	Gear motor	YM50102600000	YM50102600000	YM50102600000
50	Three-way valve	BY20001500050	BY20001500050	BY20001500050
51	Left upper side plate	-	-	-
52	Inner side plate	-	-	-
53	Belt regulator	BH10005000040	BH10005000040	BH10005000040
54	Transmission belt **	YR00202500000	YR00202500000	YR00202500000
55	Spring	YW01201800000	YW01201800000	YW01201800000

* means possible broken parts.

** means easy broken part. and spare backup is suggested.

Please confirm the version of manual before placing the purchase order to guarantee that the item number of the spare part is in accordance with the real object.

2.5.6 Assembly Drawing (Fully-integral design) (SCD-300U/200H~450U/200H)



Remarks: Please refer to material list 2.5.7 for specific explanation of the Arabic numbers in parts drawing.

Picture 2-7: Assembly Drawing (Fully-integral design) (SCD-300U/200H~450U/200H)

2.5.7 Parts List (Fully-integral design)(SCD-300U/200H~450U/200H)

Table 2-3: Parts List (Fully-integral design) (SCD-300U/200H~450U/200H)

No.	Description	Part No.	
		300U/200H	450U/200H
1	Sight-glass window	-	-
2	Sight-glass window fixing plate	-	-
3	Hopper fixing plate	-	-
4	Hopper top cover	-	-
5	Insulated hopper	-	-
6	Front door frame	-	-
7	Front door plate	-	-
8	An electric cabinet door lock	YW00717100000	YW00717100000
9	Cut-off valve type suction box	-	-
10	Control box door	-	-
11	Touch screen	YE80350100000	YE80350100000
12	Main switch*	YE10220300000	YE10220300000
13	Exhaust fan**	YM60121200400	YM60121200400
14	Control box	BH36302000150	BH36452000150
15	Front door plate (left)	-	-
16	Front plate (left)	-	-
17	Castor	YW03000300200	YW03000300200
		YW03000300000	YW03000300000
18	Process heater*	BH70124000550	BH70124000550
19	Honeycomb	YW71184000100	YW71184000100
20	Double-head screw	BH10554500010	BH10554500010
21	Honeycomb upper cover	YA40152000100	YA40152000100
22	Honeycomb bottom cover	YA40152000000	YA40152000000
23	Right side plate	-	-
24	Honeycomb mounting bracket	-	-
25	Flange	-	-
26	Top plate	-	-
27	Rear plate lower cover	YE31325000200	-
28	Regen. heater*	BH70150400050	BH70150400050
29	Cooler	BL03154040120	BL03154040120
		YW88152000020	YW88152000020
30	Copper insert core	BH12223400010	BH12223400010
31	Regen. blower*	BM30020500050	BM30020500050
32	Process blower*	BM30042000050	BM30042000050
33	Middle separating plate	-	-

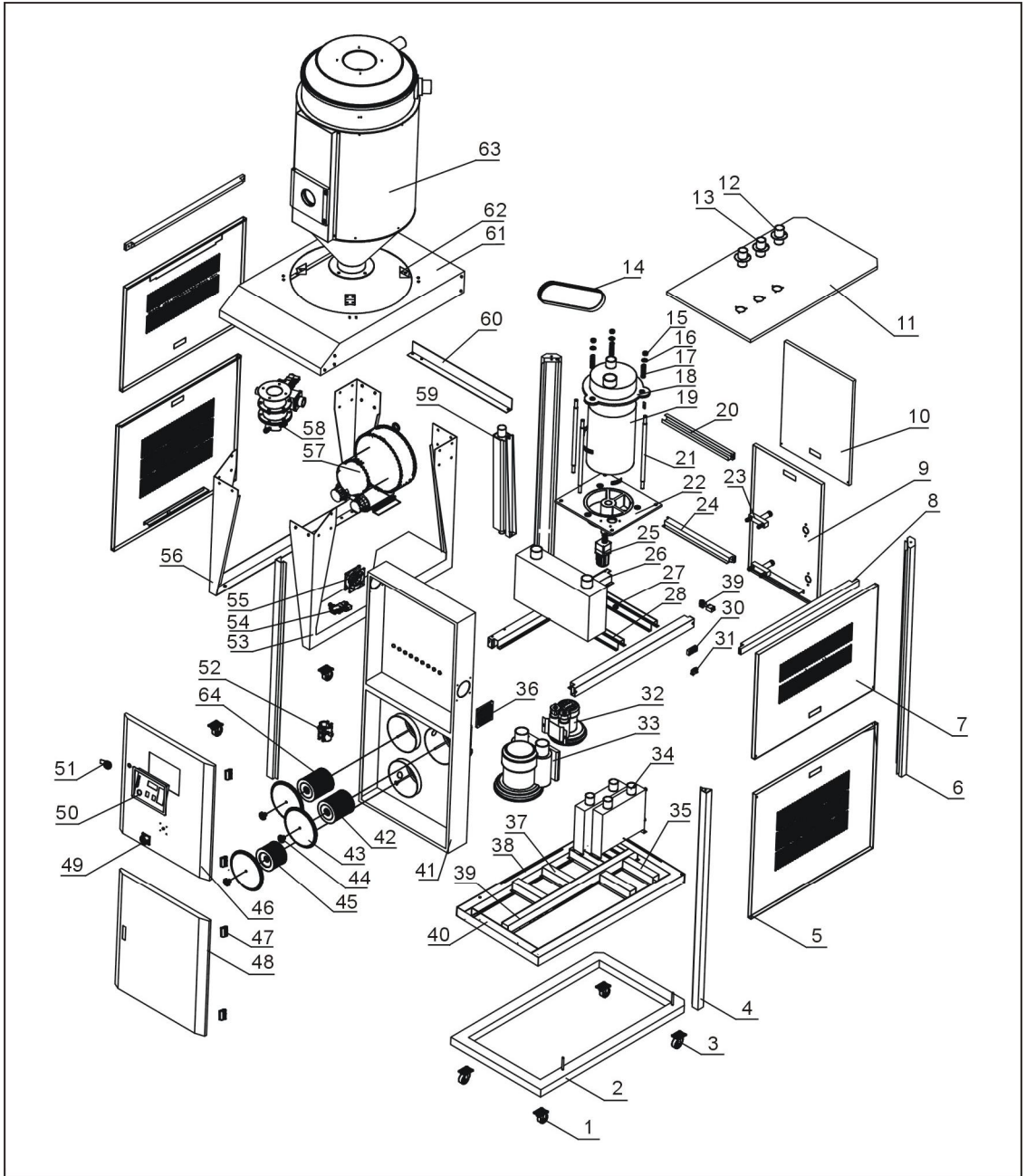
No.	Description	Part No.	
		300U/200H	450U/200H
34	Conveying blower*	BM30042000050	BM30042000050
35	Bottom plate	-	-
36	Right bottom side plate	-	-
37	Top standing pole	-	-
38	Bottom standing pole	-	-
39	Right upper side plate	-	-
40	Rear plate at the bottom	-	-
41	Rear plate at the top	-	-
42	Rear plate cover	-	-
43	Rear plate	YM50616400100	-
44	Rear plate bar	YE32051800300	-
45	Star knob	YW09675100000	YW09675100000
46	Filter 700/800G **	YR50708000100	YR50708000100
47	Butterfly nut	YW69000800000	YW69000800000
48	Filter **	YR50203000000	YR50203000000
49	Gear motor	YM50102600000	YM50102600000
50	Three-way valve	BY20001500050	BY20001500050
51	Left upper side plate	-	-
52	Inner side plate	-	-
53	Belt regulator	BH10005000040	BH10005000040
54	Transmission belt **	YR00203400000	YR00203400000
55	Spring	YW01201800000	YW01201800000

* means possible broken parts.

** means easy broken part. and spare backup is suggested.

Please confirm the version of manual before placing the purchase order to guarantee that the item number of the spare part is in accordance with the real object.

2.5.8 Assembly Drawing (Semi-integral design)



Remarks: Please refer to material list 2.5.9 for specific explanation of the Arabic numbers in parts drawing.

Picture 2-8: Assembly Drawing (Semi-integral design)

2.5.9 Parts List (Semi-integral Design)

Table 2-4: Parts List (Semi-integral Design)(SCD-600U/400H~750U/400H)

No.	Description	Part No.	
		600U/400H	750U/400H
1	Castor	YW03000400200	YW03000400200
2	Base frame welding ring	-	-
3	Castor brake	YW03000400000	YW03000400000
4	Front pole	-	-
5	Right lower side plate	-	-
6	Rear pole	-	-
7	Upper side plate	-	-
8	Side fixing beam	-	-
9	Rear bottom plate	-	-
10	Rear top plate	-	-
11	Cover board	-	-
12	Moisture outlet flange	-	-
13	Air outlet flange	-	-
14	Transmission belt**	YR00204700000	YR00204700000
15	M16 Screw	YW64001600000	YW64001600000
16	Washer	YW66163000000	YW66163000000
17	Spring	YW01180300000	YW01180300000
18	Honeycomb upper cover	BA40304000110	BA40304000110
19	Honeycomb	YW71353000100	YW71353000100
20	Rear fixing beam	-	-
21	Two-head screw	BH10554500010	BH10554500010
22	Honeycomb bottom cover	BA40304000010	BA40304000010
23	Water distributor	-	-
24	Rear middle beam	-	-
25	Gear motor	YM50512600000	YM50512600000
26	Side middle beam	-	-
27	Rear middle beam	-	-
28	Front middle beam	-	-
29	Belt regulator pad	BH10005000040	BH10005000040
30	Terminal block	YE61250040000	YE61250040000
31	Capacitor	YE25001500000	YE25001500000
32	Motor*	BM30042000050	BM30042000050
33	Blower*	YM30062900000	YM30062900000
34	Cooler	BW88304000020	BW88304000020
35	Regenerated fan fixed beam	-	-

No.	Description	Part No.	
		600U/400H	750U/400H
36	Cooler *	YR40120300000	YR40120300000
37	Fixed beam of cooler	-	-
38	Erect beam of base frame	-	-
39	Bottom mounting beam	-	-
40	Cross-beam of base frame	-	-
41	Control trunk	BH36604000050	BH36754000050
42	Filter**	YR50203000000	YR50203000000
43	Filter cover	-	-
44	Butterfly nut	YW09675100000	YW09000600000
45	Filter**	YR50708000100	YR50708000100
46	Upper door plate	-	-
47	Hinge	YW06203100200	YW06203100200
48	Bottom door plate	-	-
49	Door interlock switch	YE40636300000	YE40636300000
50	Control panel	YR01008000100	YR01008000100
51	Short door bolt	YW00000600000	YW00000600000
52	Pipe connector	YR10001500100	YR10001500100
53	Right fixed leg	-	-
54	Solenoid valve*	YE32421600000	YE32421600000
55	Exhaust heater**	YM60121200400	YM60121200400
56	Left fixed leg	-	-
57	Feeding fan *	BM30031000150	BM30031000150
58	EURO-material absorption box	BY10163801150	BY10163801150
59	Regenerated heater*	BH70307200250	BH70407200050
60	Leg reinforcement beam	-	-
61	Cover board of housing	-	-
62	Outer fixer	-	-
63	Dry hopper drum	-	-
64	Filter**	YR50241400100	YR50241400100

* means possible broken parts.

** means easy broken part. and spare backup is suggested.

Please confirm the version of manual before placing the purchase order to guarantee that the item number of the spare part is in accordance with the real object.

Table 2-5: Parts List (Semi-integral Design) (SCD-900U/700H~1200U/700H)

No.	Description	Part No.	
		900U/700H	1200U/700H
1	Castor	YW03000400900	YW03000400900
2	Base frame welding ring	-	-
3	Castor brake	YW03000400000	YW03000400000
4	Front pole	-	-
5	Right lower side plate	-	-
6	Rear pole	-	-
7	Upper side plate	-	-
8	Side fixing beam	-	-
9	Rear bottom plate	-	-
10	Rear top plate	-	-
11	Cover board	-	-
12	Moisture outlet flange	-	-
13	Air outlet flange	-	-
14	Transmission belt**	YR00205800000	YR00205800000
15	M16 Screw	-	-
16	Washer	-	-
17	Spring	YW01180300000	YW01180300000
18	Honeycomb upper cover	BA40304000110	BA40304000110
19	Honeycomb	YW71444000100	YW71444000000
20	Rear fixing beam	-	-
21	Two-head screw	BH10554500010	BH10554500010
22	Honeycomb bottom cover	BA40507000010	BA40507000010
23	Water distributor	-	-
24	Rear middle beam	-	-
25	Gear motor	YM50512600000	YM50512600000
26	Side middle beam	-	-
27	Rear middle beam	-	-
28	Front middle beam	-	-
29	Belt regulator pad	BH10005000040	BH10005000040
30	Terminal block	YE61250040000	YE61250040000
31	Capacitor	YE25001500000	YE25001500000
32	Motor*	BM30042000050	BM30042000050
33	Blower*	YM30072900000	YM30072900000
34	Cooler	YR30010400000	YR30010400000
35	Regenerated fan fixed beam	-	-
36	Cooler *	YR40120300000	YR40120300000

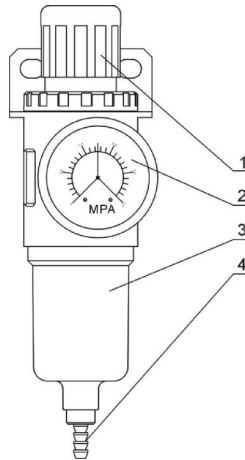
No.	Description	Part No.	
		900U/700H	1200U/700H
37	Fixed beam of cooler	-	-
38	Erect beam of base frame	-	-
39	Bottom mounting beam	-	-
40	Cross-beam of base frame	-	-
41	Control trunk	BH36900700050	BH36120000350
42	Filter**	YR50203000000	YR50203000000
43	Filter cover	-	-
44	Butterfly nut	YW09675100000	YW09051600000
45	Filter**	YR50181100000	YR50181100000
46	Upper door plate	-	-
47	Hinge	YW06203100200	YW06203100200
48	Bottom door plate	-	-
49	Door interlock switch	YE40601500000	YE40601500000
50	Control panel	YR01008000100	YR01008000100
51	Short door bolt	YW00000600000	YW00000600000
52	Pipe connector	YR10002000100	YR10002000100
53	Right fixed leg	-	-
54	Solenoid valve*	YE32421600000	YE32421600000
55	Exhaust heater**	YM60121200400	YM60121200400
56	Left fixed leg	-	-
57	Feeding fan *	BM30053500050	BM30053500050
58	EURO-material absorption box	BY10163801150	BY10163801150
59	Regenerated heater*	BH70501000050	BH70501000050
60	Leg reinforcement beam	-	-
61	Cover board of housing	-	-
62	Outer fixer	-	-
63	Dry hopper drum	-	-
64	Filter**	YR50241400100	YR50241400100

* means possible broken parts.

** means easy broken part. and spare backup is suggested.

Please confirm the version of manual before placing the purchase order to guarantee that the item number of the spare part is in accordance with the real object.

2.5.10 Filter & Pressure Regulating Valve Drawing

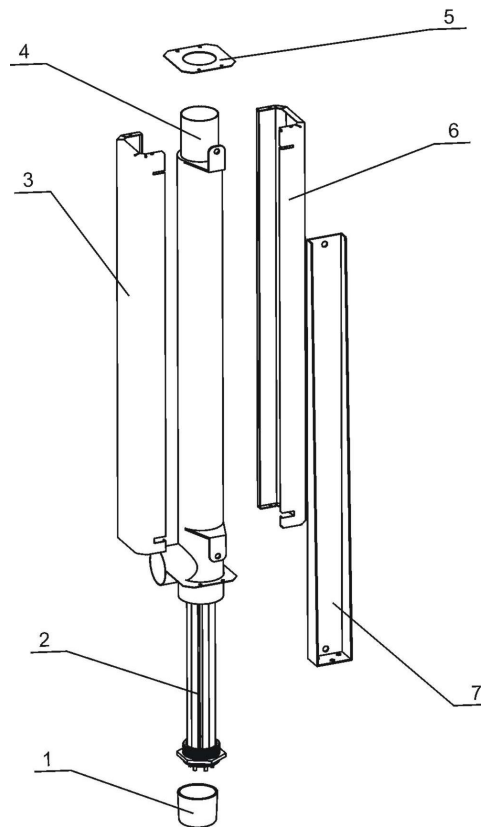


Parts list:

1. Pressure adjusting knob 2. Pressure gauge 3. Cup 4. Water outlet

Picture 2-9: Filter & Pressure Regulating Valve Drawing

2.5.11 Heater

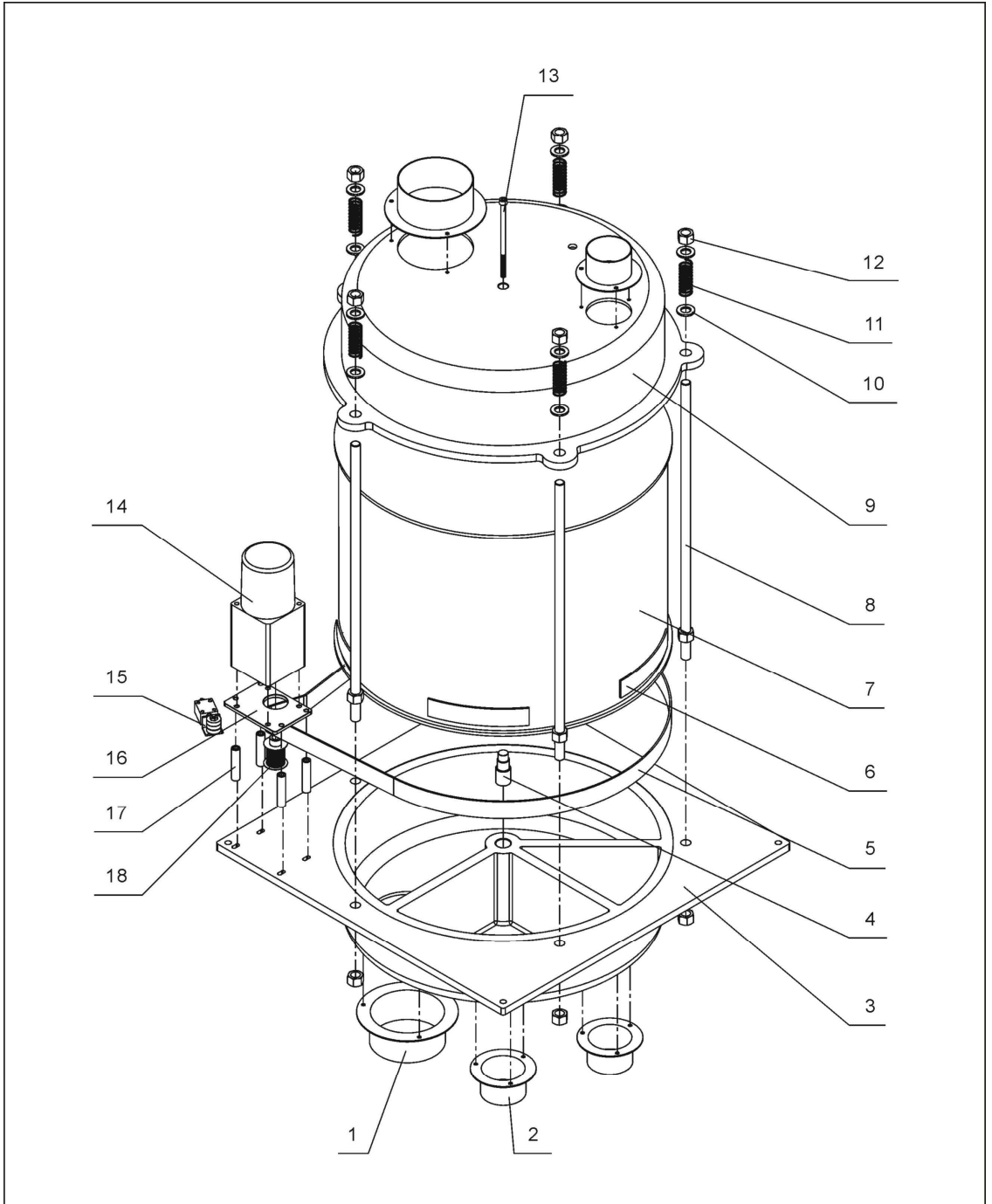


Parts name:

- | | | |
|------------------------|-----------------------|---------------------------|
| 1. Electric wood cover | 2. Pipe heater | 3. Heater wrapper sheet 1 |
| 4. Heating tank | 5. Heater cover plate | 6. Heater wrapper sheet 2 |
| 7. Heater fixed seat | | |

Picture 2-10: Heater

2.5.12 Honeycomb



Picture 2-11: Honeycomb Parts Drawing (SCD-900U/700H 1200U/700H)

2.5.13 Parts List of Honeycomb (SCD-900U/700H 1200U/700H)

Table 2-6: Parts List

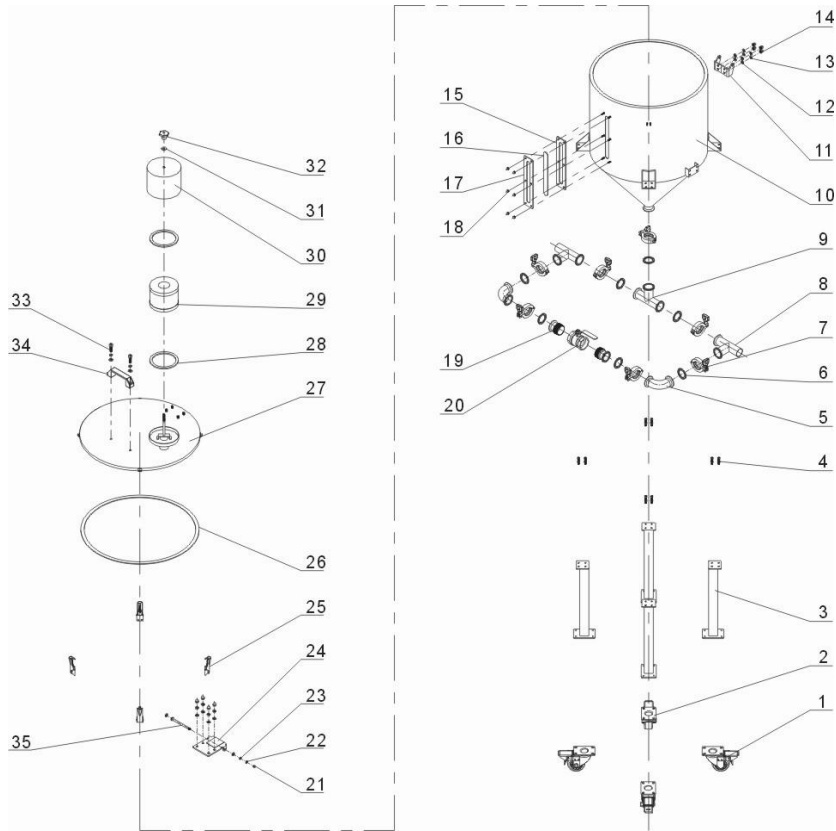
No.	Description	Part No.	No.	Description	Part No.
1	4" Honeycom flange	-	10	Flat washer 16	-
2	2.5" honeycomb flange	-	11	Spring	YW01201800000
3	Lower cover	-	12	Hex nut M16	-
4	Honeycomb shaft	-	13	Hexgon socket head cap screw M8	-
5	Synchronous belt	YR00305800000	14	Gear motor	YM50512600000
6	Synchronous pulley	YR00003000000	15	Belt adjustor	-
7	Honeycomb	YW71440400000	16	Mounting plate of gear motor	-
8	Double-end screw	BH10554500040	17	Locating tube	-
9	Upper cover	-	18	Synchronous pulley	-

* means possible broken parts.

** means easy broken part. and spare backup is suggested.

Please confirm the version of manual before placing the purchase order to guarantee that the item number of the spare part is in accordance with the real object.

2.5.14 Material Stage Bin of Optical Grade MST-80U-OP

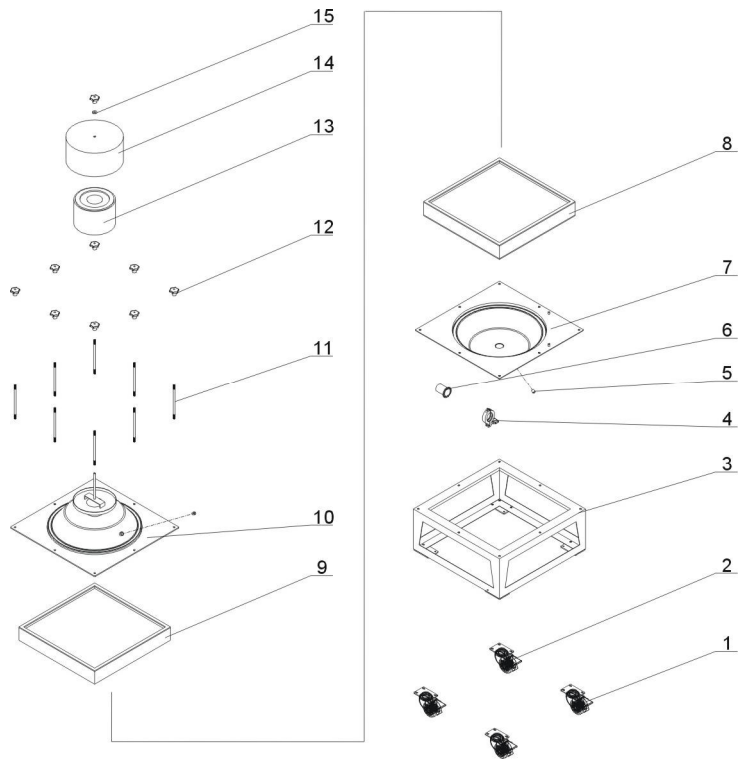


Name of components:

- | | | |
|-------------------------------------|-------------------------------------|-------------------------------------|
| 1. Brake-type universal floor stand | 2. Free-style universal floor stand | 3. Floor stand |
| 4. Inner hexagonal screw column | 5. 1.5" Elbow | 6. Seal ring 1.5" |
| 7. 1.5" Fast pipe connector | 8. Feed port | 9. 1.5" Three way |
| 10. Material storage tank | 11. Cover back button 2 | 12. Flat gasket |
| 13. Spring gasket | 14. Acorn nut 8 | 15. Fastener for sight glass window |
| 16. Acryl | 17. Fastener for sight glass window | |
| 18. Nut | 19. Connection pipe | 20. 1.5" Ball valve |
| 21. Acorn nut | 22. Spring gasket | 23. Flat gasket |
| 24. Cover back button 1 | 25. Snap hook | 26. Material storage tank fastener |
| 27. Material storage tank top | 28. Filter 1 fastener | 29. Filter 1 |
| 30. Filter cover 1 | 31. Flat gasket | 32. Star nut |
| 33. Inner hexagonal screw column | 34. Square aluminum handle | 35. Pin |

Picture 2-12: Material Stage Bin of Optical Grade MST-80U-OP

2.5.15 High-efficiency Filter HEPA

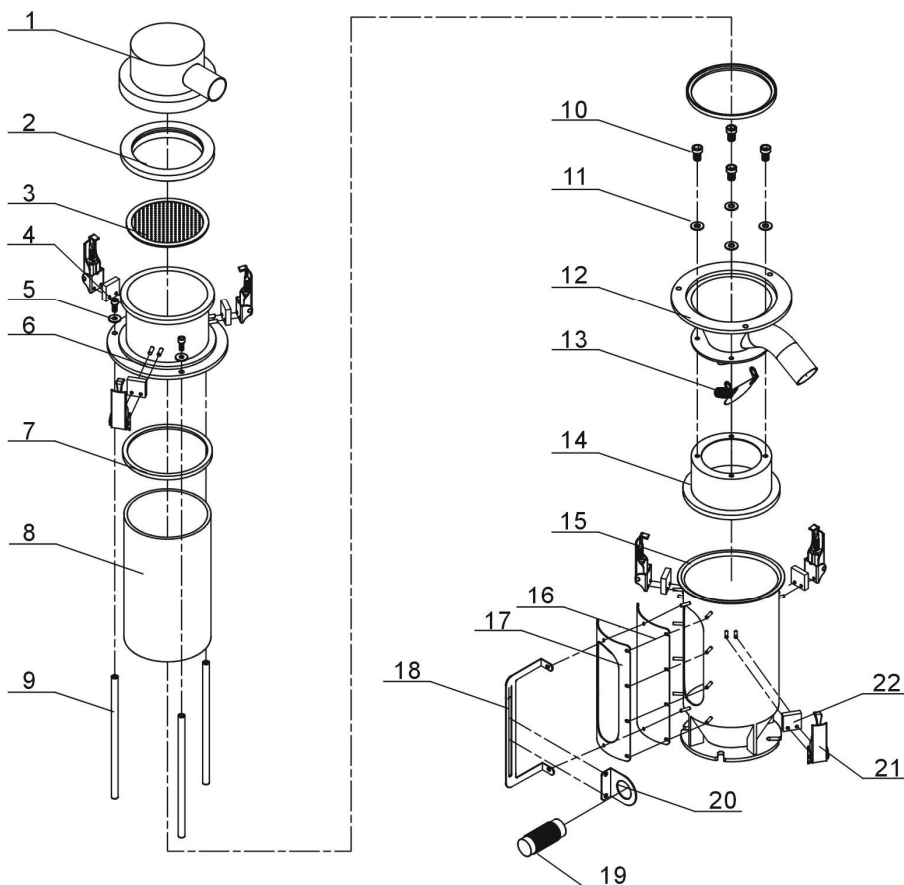


Name of components:

- | | |
|-------------------------------------|-------------------------------------|
| 1. Brake-type universal floor stand | 2. Free-style universal floor stand |
| 3. Floor stand | 4. Clamp tube |
| 5. Metric taper thread | 6. Connector |
| 7. Bottom cover of filter | 8. High-efficiency filter |
| 9. Middle-efficiency filter | 10. Top cover of filter |
| 11. Screw shaft | 12. Star screw |
| 13. Low-efficiency filter | 14. Filter cover |
| 15. Stainless steel washer | |

Picture 2-13: High-efficiency Filter HEPA

2.5.16 Important notices for using SHR-CP-3U



Name of components:

- | | | | |
|--------------------------------------|----------------------------|----------------------------|-------------------|
| 1. Top cover | 2. Screener fastener | 3. Screener | 4. Flat gasket M6 |
| 5. Inner hexagon column screw M6×15 | | 6. Glass pipe upper flange | |
| 7. Glass pipe packing | 8. Glass tube | 9. Flange connection shaft | |
| 10. Inner hexagon column screw M5×15 | | 11. Flat gasket | |
| 12. Glass tube lower flange | 13. Non-return flap | 14. Bottom cover board | |
| 15. Base | 16. Sight-glass | 17. Sight-glass iron sheet | |
| 18. Supporting frame | 19. Sensor fixing plate | 20. Sensor | |
| 21. Snap hook | 22. Snap hook fixing plate | | |

Picture 2-14: Important notices for using SHR-CP-3U