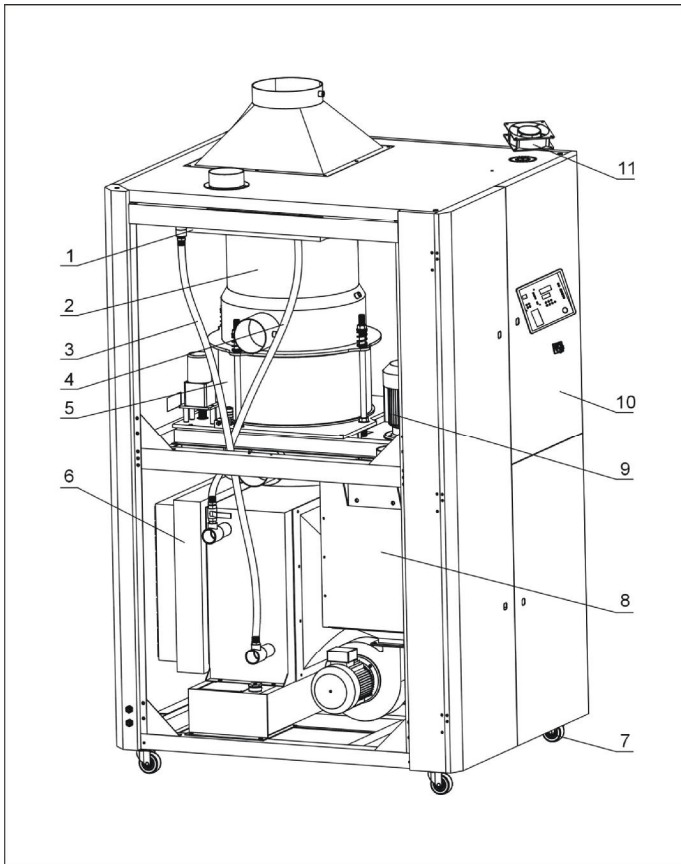


## 2.3 Drawing and Parts List

### 2.3.1 Assembly Drawing



Remarks: Please refer to material list 2.3.2 for specific explanation of the Arabic numbers in parts drawing.

Picture 2-2: Assembly Drawing

## 2.3.2 Parts List

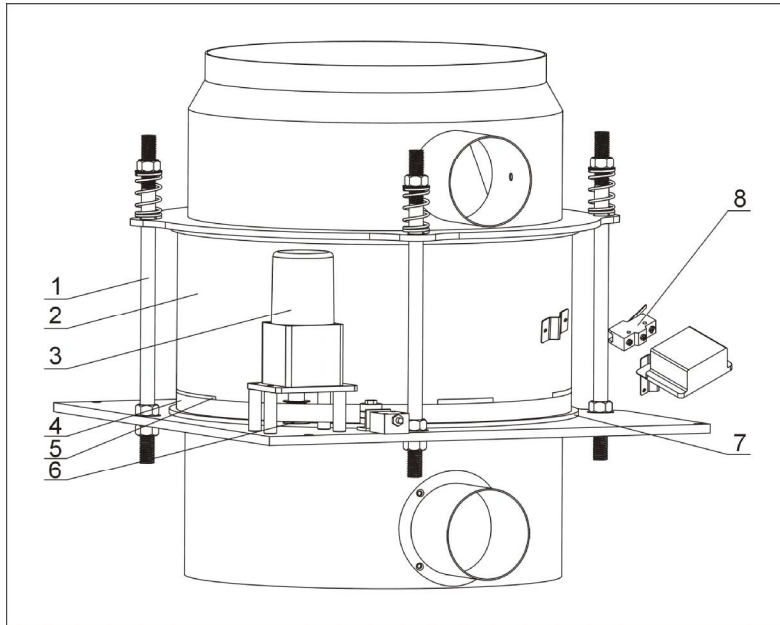
Table 2-1: Parts List

No.	Name	Part No.		
		SMD-1000H	SMD-2000H	SMD-3000H
1	Cooler 2	YW88100000600	W88200000000	YW88300001400
2	Steel reinforced hose	YW90151500000	W90182400000	YW90222100000
3	Teflon pipe 1	YW59011300000	YW59011600000	YW59151800000
4	Teflon pipe 2	YW59010800000	W59011300000	YW59151400000
5	Honeycomb assembly	-	-	-
6	Cooler assembly	-	-	-
7	Black movable castor	YW03000300200	YW03000400200	YW03000400200
	Black brake castor	YW03000301100	YW03000400000	YW03000400000
8	Heating case assembly	-	-	-
9	Drying blower	YM30000800300	YM30001100400	YM30001200300
10	Rack metal plate	-	-	-
11	Air exhaust fan**	YM60121200400	M60121200400	YM60121200400

\* means possible broken parts. \*\* means easy broken part. and spare backup is suggested.

Please confirm the version of manual before placing the purchase order to guarantee that the item number of the spare part is in accordance with the real object.

### 2.3.3 Honeycomb Assembly



Remarks: Please refer to material list 2.3.4 for specific explanation of the Arabic numbers in parts drawing.

Picture 2-3: Honeycomb Assembly

### 2.3.4 Honeycomb Assembly Parts List

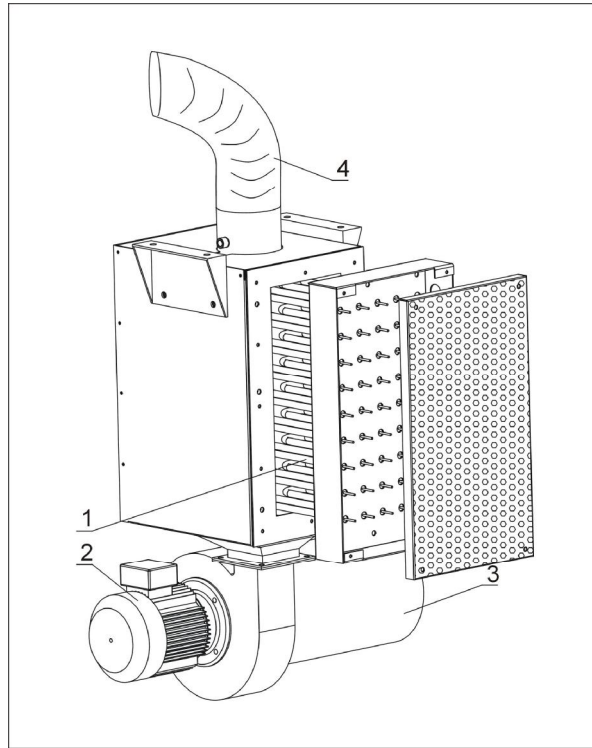
Table 2-2: Honeycomb Assembly Parts List

No.	Name	Part No.		
		SMD-1000H	SMD-2000H	SMD-3000H
1	Double-thread screw	BH10533000040	BH10543000010	BH10543000010
2	Honeycomb	YW71442000200	YW71553000000	YW71650300000
3	Gear motor	YM50512600000	YM10914000000	YM10960000000
4	Synchronous belt**	YR00305800000	YR00357300000	YR00305800000
5	Synchronous gear belt	YR00003000000	YR00003500000	YR00003500000
6	Synchronous wheel	YW08001400000	YW08001900000	YW09151100000
7	Silic gel Teflon pad	YR10507000100	YR10100000200	YR10200010300
8	Micro switch*	YE14152400000	YE14152400000	YE14152400000

\* means possible broken parts. \*\* means easy broken part. and spare backup is suggested.

Please confirm the version of manual before placing the purchase order to guarantee that the item number of the spare part is in accordance with the real object.

### 2.3.5 Heater Assembly



Remarks: Please refer to material list 2.3.6 for specific explanation of the Arabic numbers in parts drawing.

Picture 2-4: Heater assembly

### 2.3.6 Heater Assembly Parts List

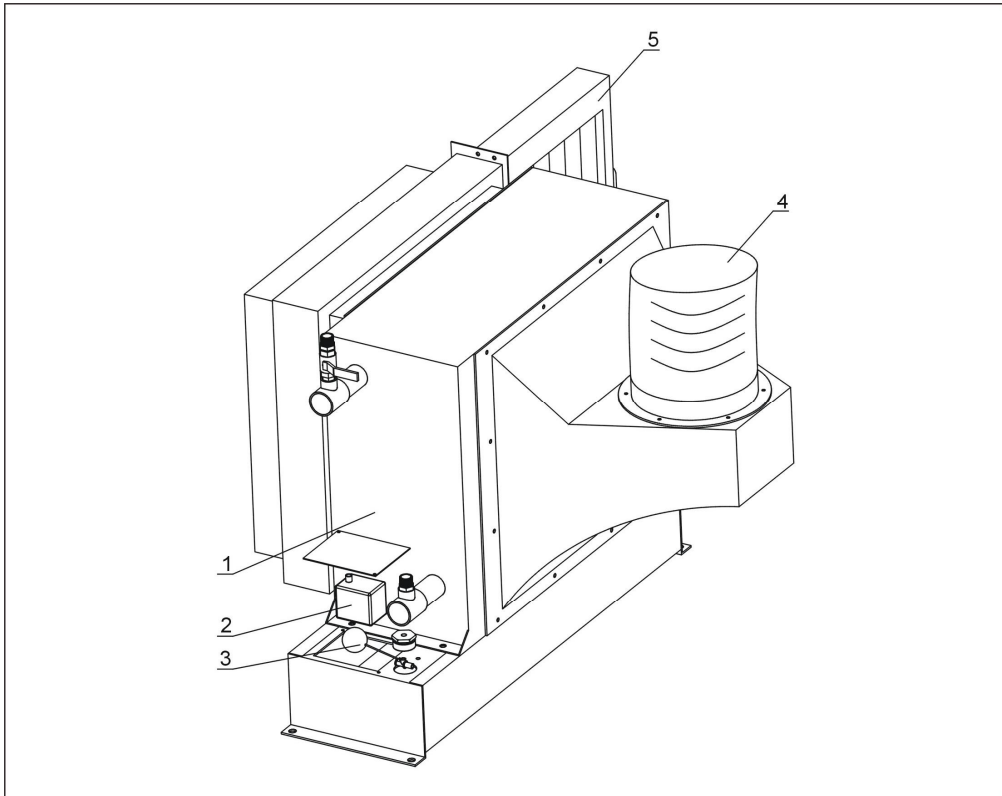
Table 2-3: Heater Assembly Parts List

No.	Name	Part No.		
		SMD-1000H	SMD-2000H	SMD-3000H
1	Pipe heater**(400V)	BH70100030050	BH70200030050	BH70300000350
	Pipe heater **(230V)	BH70100030150	BH70200030250	BH70300000950
2	Regen. blower*	YM30000200300	YM30000500300	YM30000800600
3	Filter**	YR50181100000	YR50241400100	YR50241400100
4	Heat-resistant air pipe *	YW72043600000	YW72060400000	YW72060400000

\* means possible broken parts. \*\* means easy broken part. and spare backup is suggested.

Please confirm the version of manual before placing the purchase order to guarantee that the item number of the spare part is in accordance with the real object.

### 2.3.7 Cooler Assembly



Remarks: Please refer to material list 2.3.8 for specific explanation of the Arabic numbers in parts drawing.

Picture 2-5: Cooler assembly

### 2.3.8 Cooler Assembly Parts List

Table 2-4: Cooler Assembly Parts List

No.	Name	Part No.		
		SMD-1000H	SMD-2000H	SMD-3000H
1	Cool 1	YW88100600600	BW88200000110	YW88300001300
2	Submersible pump*	YM20100000000	YM20100000000	YM20100000000
3	Float ball connector	BH12300000610	BH12300000610	BH12300000610
	Float ball	YW59710100000	YW59710100000	YW59710100000
4	Heat-resistant air pipe *	YW72080400000	YW72100400000	YW72100400000
5	Filter element	YW90100070300	YW90200000300	YR00305800000

\* means possible broken parts. \*\* means easy broken part. and spare backup is suggested.

Please confirm the version of manual before placing the purchase order to guarantee that the item number of the spare part is in accordance with the real object.