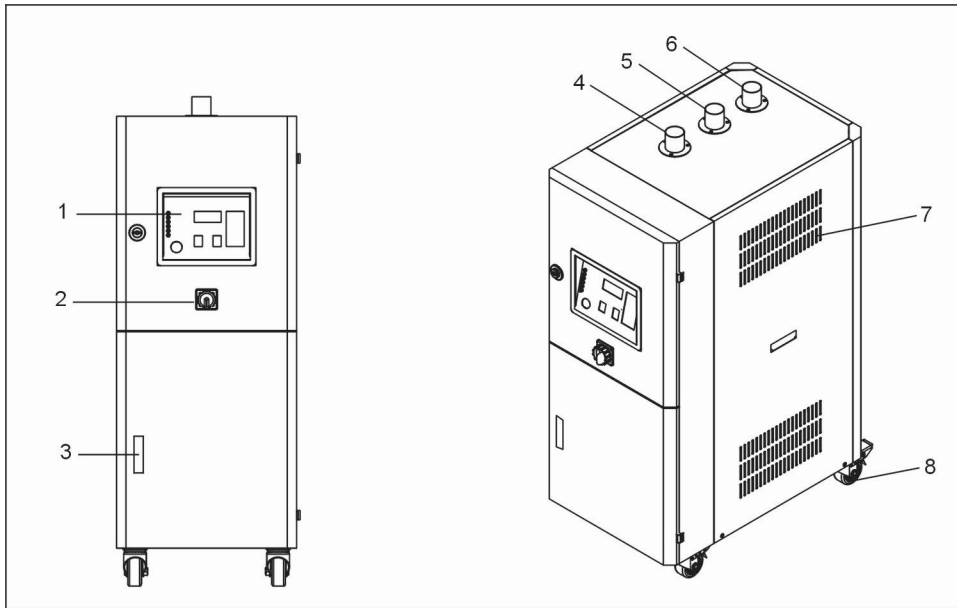


2.5 Drawing and Parts List

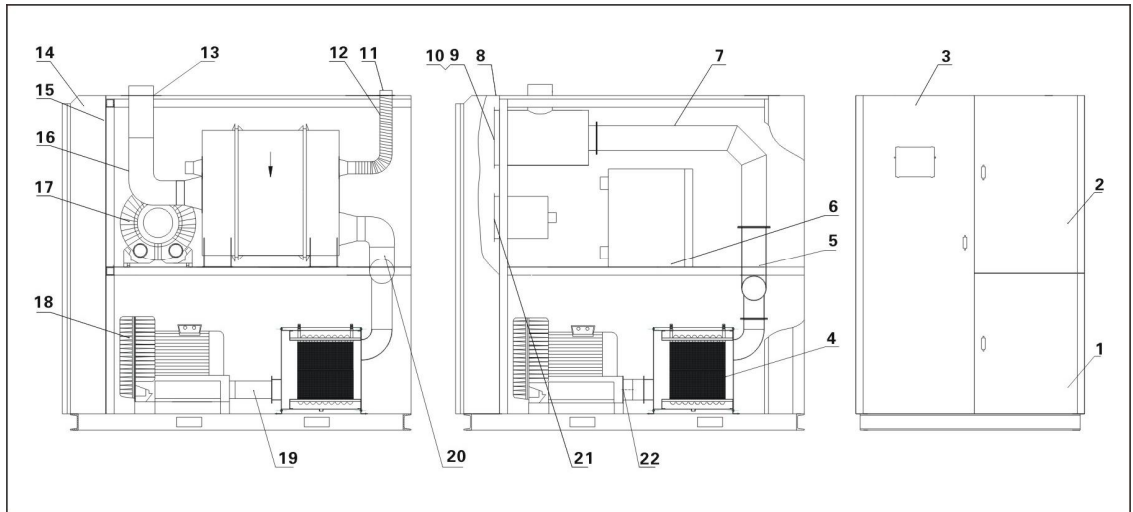
2.5.1 Structural Drawing



Parts name:

- | | | | |
|------------------|-------------------|-------------------|--------------|
| 1. Control panel | 2. Main switch | 3. Lock | 4. Air inlet |
| 5. Air outlet | 6. Wet air outlet | 7. Cooling window | 8. Castor |

Picture 2-3: Structural Drawing (SD-40H~700H)

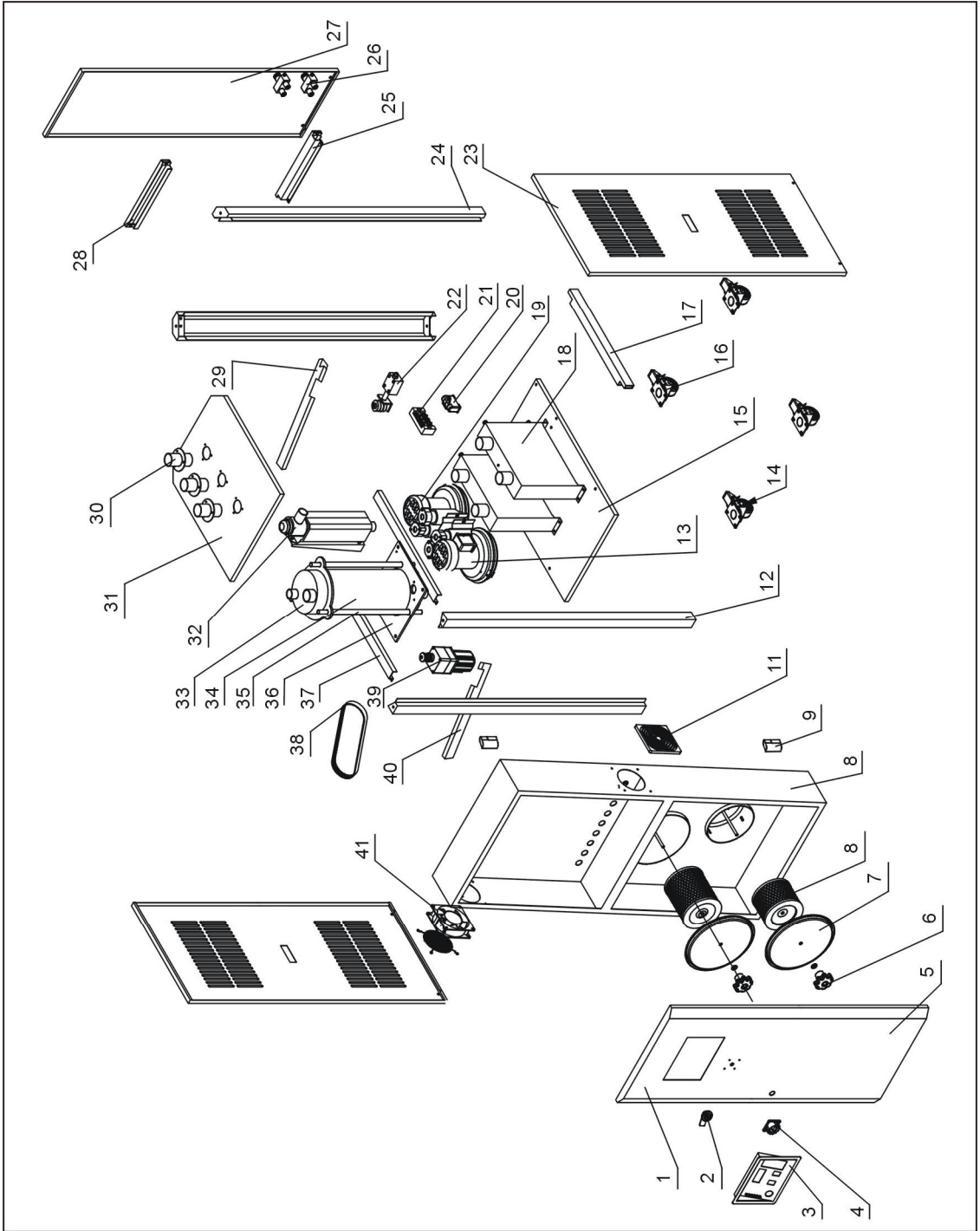


Parts name:

- | | | |
|---|------------------------------------|----------------------------------|
| 1. Right lower door | 2. Right upper door | 3. Right front door |
| 4. Cooler | 5. Air inlet pipe | 6. Heating case components |
| 7. Return air pipe | 8. Filter component cabinet | 9. Circulation filter barrel lid |
| 10. Circulation filter barrel flange | 11. Cooling flange | 12. Heat-resistant air pipe |
| 13. Outlet flange | 14. Electrical control box | |
| 15. Electrical component installation plate | | 16. Heat-resistant air pipe |
| 17. Regenerative blower | 18. Drying blower | 19. Cooler connection flange 2 |
| 20. Air outlet pipe | 21. Regenerative filter tank cover | 22. Cooler connection flange 1 |

Picture 2-4: Structural Drawing (SD-1000H~4000H)

2.5.2 Assembly Drawing (SD-40H~700H)



Remarks: Please refer to material list 2.5.3 for specific explanation of the Arabic numbers in parts drawing.

Picture 2-5: Assembly Drawing (SD-40H~700H)

2.5.3 Parts List (SD-40H~700H)

Table 2-1: Parts List (SD-40H~80H)

No.	Description	Part No.	
		SD-40H	SD-80H
1	Upper door	-	-
2	Short bolt door lock	YW00816100000	YW00816100000
3	Control panel	YR40000400500	YR40000400500
4	Main switch*	YE10200300000	YE10200300000
5	Lower door	-	-
6	Cross-head nut	YW09675100000	YW09675100000
7	Filtering bucket lid	YL21000300000	YL21000300000
8	Filter**	YR50128300000	YR50128300000
9	Control box	BH33404000050	BH33008000550
10	Hinge	YW06203100200	YW06203100200
11	Dust-proof net**	YR40120300000	YR40120300000
12	Front pole	-	-
13	Regenerated fan*	BM30012500050	BM30012500050
14	Movable truckle	YW03000300200	YW03000300200
15	Bottom plate	-	-
16	Brake truckle	YW03000300000	YW03000300000
17	Side fixed beam	-	-
18	Cooler	BW88030500020	BW88081200020
19	Dry fan*	BM40338000150	BM30031000150
20	Capacitance	YE25001500000	YE25001500000
21	Terminals strip	YE61250000000	YE61250000000
22	Belt adjustor	BH10005000040	BH10005000040
23	Side board	-	-
24	Rear pole	-	-
25	Middle beam	-	-
26	Water distributor	-	-
27	Rear board	-	-
28	Rear beam	-	-
29	Rear middle beam	-	-
30	2 inch flange	-	-
31	Cover board	-	-
32	Regenerated heater*	BH70150400050	BH70800300050
33	Honey comb upper lid	BA40508000110	BA40508000110
34	Honeycomb-rotor	YW71182000000	YW71183000000
35	Double end studs	BH10533000040	BH10543000040
36	Honey comb lower lid	BA40508000010	BA40508000010
37	Side middle beam	-	-
38	Synchronized belt**	YR00202500000	YR00202500000
39	Motor	YM50102600000	YM50102600000
40	Front middle beam	-	-
41	Exhausting fan**	YM60121200400	YM60121200400

* means possible broken parts. ** means easy broken part. and spare backup is suggested.

Please confirm the version of manual before placing the purchase order to guarantee that the item number of the spare part is in accordance with the real object.

Table 2-2: Parts List (SD-120H~200H)

No.	Description	Part No.	
		SD-120H	SD-200H
1	Upper door	-	-
2	Short bolt door lock	YW00816100000	YW00816100000
3	Control panel	YR40000400500	YR40000400500
4	Main switch*	YE10200300000	YE10210300000
5	Lower door	-	-
6	Cross-head nut	YW09675100000	YW09675100000
7	Filtering bucket lid	YL21000300000	YL21000300000
8	Filter**	YR50708000100	YR50203000000
9	Control box	-	-
10	Hinge	YW06203100200	YW06203100200
11	Dust-proof net**	YR40120300000	YR40120300000
12	Front pole	-	-
13	Regenerated fan*	BM30012500050	BM30020500050
14	Movable truckle	YW03000300200	YW03000300200
15	Bottom plate	-	-
16	Brake truckle	YW03000300000	YW03000300000
17	Side fixed beam	-	-
18	Cooler	BW88081200020	BW88152000020
19	Dry fan*	BM30031000150	BM30042000050
20	Capacitance	YE25001500000	YE25001500000
21	Terminals strip	YE61250000000	YE61250000000
22	Belt adjustor	BH10005000040	BH10005000040
23	Side board	-	-
24	Rear pole	-	-
25	Middle beam	-	-
26	Water distributor	-	-
27	Rear board	-	-
28	Rear beam	-	-
29	Rear middle beam	-	-
30	2 inch flange	-	-
31	Cover board	-	-
32	Regenerated heater*	BH70800300050	BH70150400050
33	Honey comb upper lid	BA40508000110	BA40152000110
34	Honeycomb-rotor	YW71184000000	YW71250400000
35	Double end studs	BH10543000040	BH11100000040
36	Honey comb lower lid	BA40508000010	BA40152000010
37	Side middle beam	-	-
38	Synchronized belt**	YR00202500000	YR00203400000
39	Motor	YM50102600000	YM50102600000
40	Front middle beam	-	-
41	Exhausting fan**	YM60121200400	YM60121200400

* means possible broken parts.

** means easy broken part. and spare backup is suggested.

Please confirm the version of manual before placing the purchase order to guarantee that the item number of the spare part is in accordance with the real object.

Table 2-3: Parts List (SD-400H~700H)

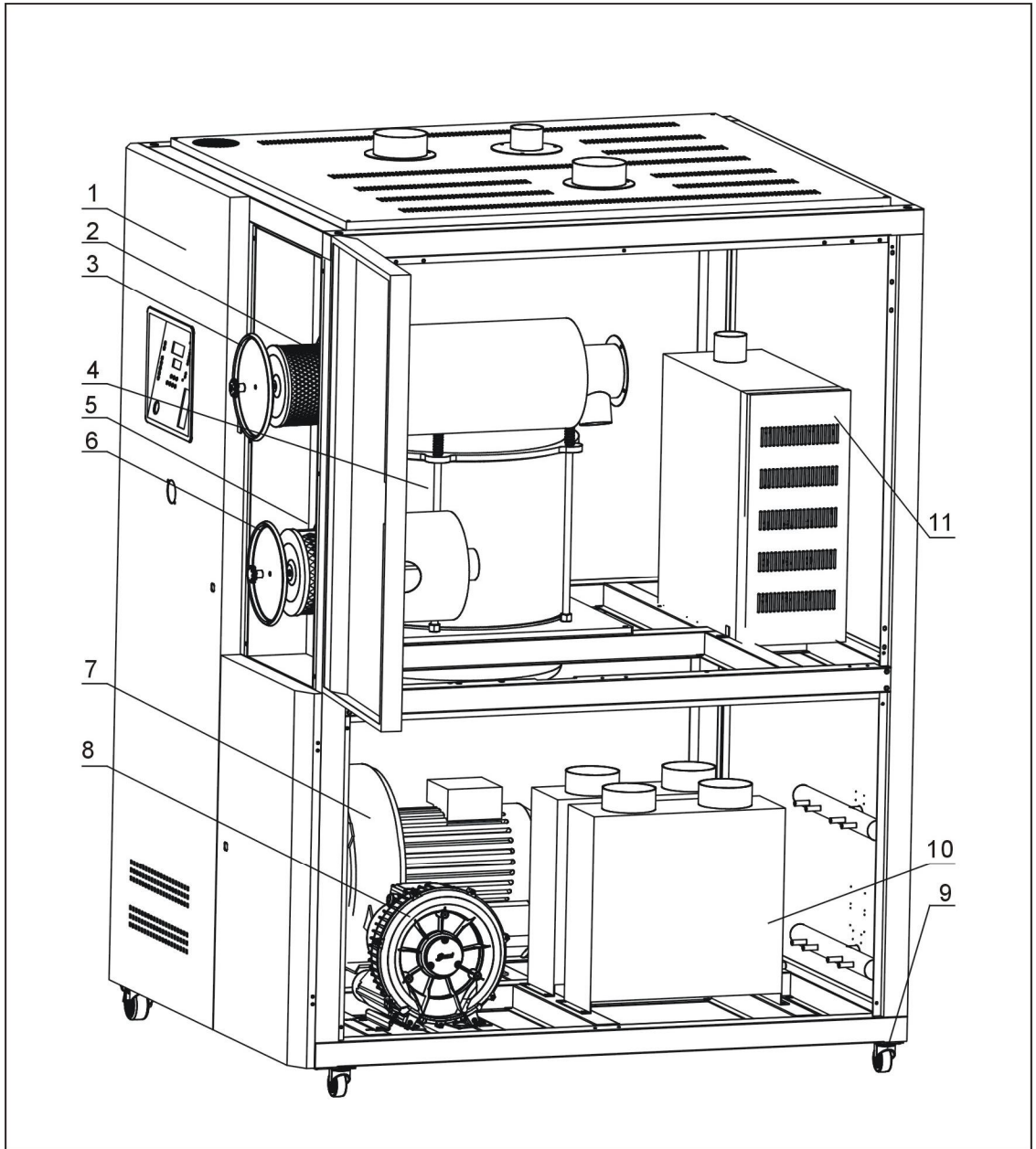
No.	Description	Part No.	
		SD-400H	SD-700H
1	Upper door	-	-
2	Short bolt door lock	YW00816100000	YW00816100000
3	Control panel	YR40000400500	YR40000400500
4	Main switch*	YE10220300000	YE40635000000
5	Lower door	-	-
6	Cross-head nut	YW09675100000	YW09675100000
7	Filtering bucket lid	YL21000300000	YL21000300000
8	Filter**	YR50241400100	YR50241400000
9	Control box	BH33040000250	-
10	Hinge	YW06203100200	YW06203100200
11	Dust-proof net**	YR40120300000	YR40120300000
12	Front pole	-	-
13	Regenerated fan*	BM30031000150	BM30042000050
14	Movable truckle	YW03000400200	YW03000400200
15	Bottom plate	-	-
16	Brake truckle	YW03000400000	YW03000400000
17	Side fixed beam	-	-
18	Cooler	BW88304000020	YR30010400000
19	Dry fan*	BM30055000050	BM30075000050
20	Capacitance	YE25001500000	YE25001500000
21	Terminals strip	YE61250000000	YE61250000000
22	Belt adjustor	BH10040000040	BH10040000040
23	Side board	-	-
24	Rear pole	-	-
25	Middle beam	-	-
26	Water distributor	-	-
27	Rear board	-	-
28	Rear beam	-	-
29	Rear middle beam	-	-
30	2 inch flange	-	-
31	Cover board	-	-
32	Regenerated heater*	BH70407200050	BH70501000050
33	Honey comb upper lid	BA40304000110	BA40507000110
34	Honeycomb-rotor	YW71354000000	YW71444000000
35	Double end studs	BH11100000040	BH11100000040
36	Honey comb lower lid	BA40304000010	BA40507000010
37	Side middle beam	-	-
38	Synchronized belt**	YR00304700000	YR00305800000
39	Motor	YM50512600000	YM50512600000
40	Front middle beam	-	-
41	Exhausting fan**	YM60121200400	YM60121200400

* means possible broken parts.

** means easy broken part. and spare backup is suggested.

Please confirm the version of manual before placing the purchase order to guarantee that the item number of the spare part is in accordance with the real object.

2.5.4 Assembly Drawing (SD-1000H)



Remarks: Please refer to material list 2.5.5 for specific explanation of the Arabic numbers in parts drawing.

Picture 2-6: Assembly Drawing (SD-1000H)

2.5.5 Parts List (SD-1000H)

Table 2-4: Parts List (SD-1000H)

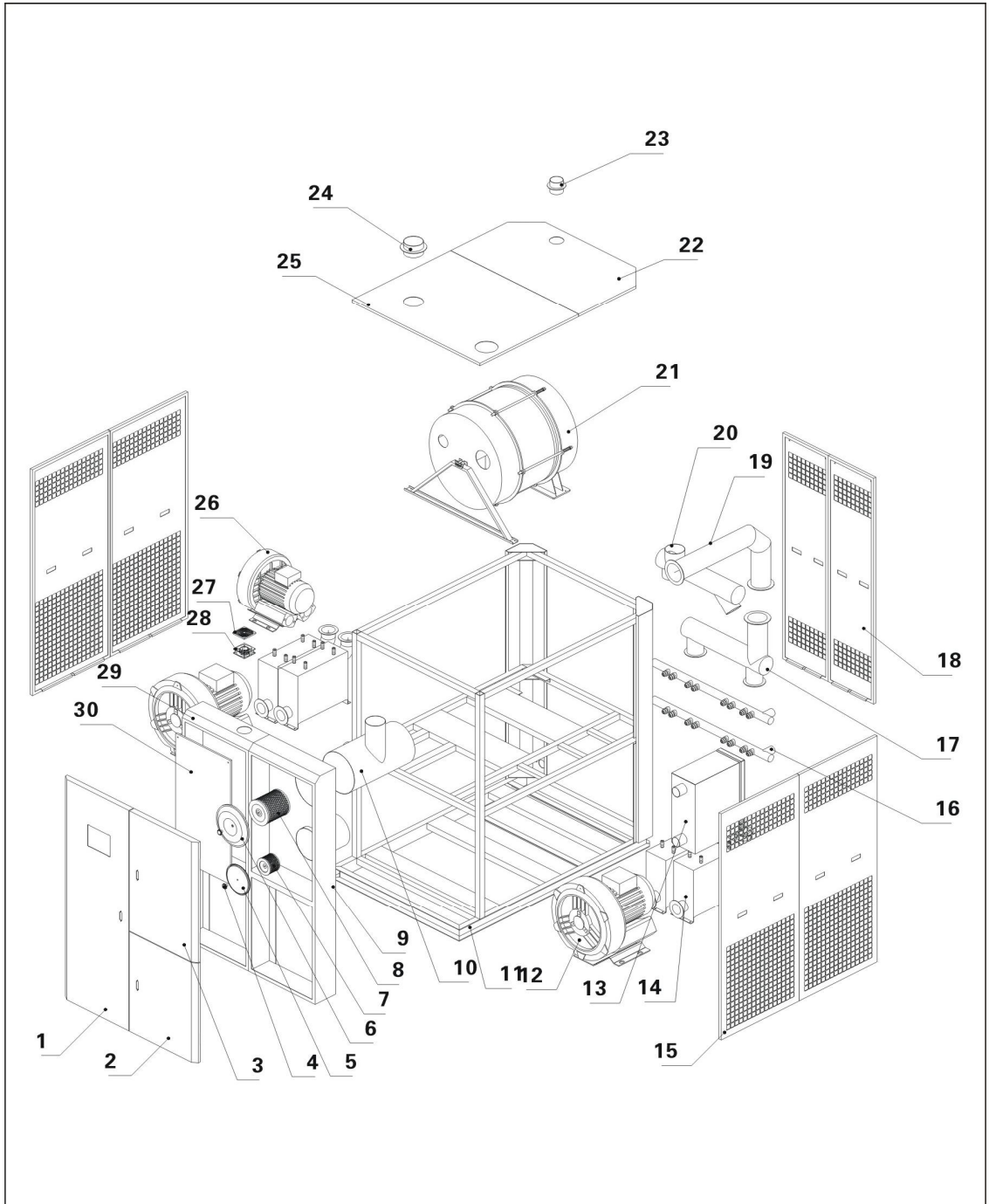
序号	名称	物料编号
1	Rack metal plate	-
2	Filter **	YR50241400100
3	Filter fastener	YR10026000000
4	Honeycomb assembly	-
5	Filter **	YR50203000000
6	Filter fastener	YR10026000100
7	Drying blower *	YM30150300300
8	Regeneration blower *	BM30053500050
9	Mobile castor	YW03000400200
	Castor with break	YW03000400000
10	Cooler	BL03100049220
	Cooler (with temperature gauge)	BW88100000020
11	Heating case	-

* means possible broken parts.

** means easy broken part. and spare backup is suggested.

Please confirm the version of manual before placing the purchase order to guarantee that the item number of the spare part is in accordance with the real object.

2.5.6 Assembly Drawing (SD-1500H)



Remarks: Please refer to material list 2.5.7 for specific explanation of the Arabic numbers in parts drawing.

Picture 2-7: Assembly Drawing (SD-1500H)

2.5.7 Parts List (SD-1500H)

Table 2-5: Parts List (SD-1500H)

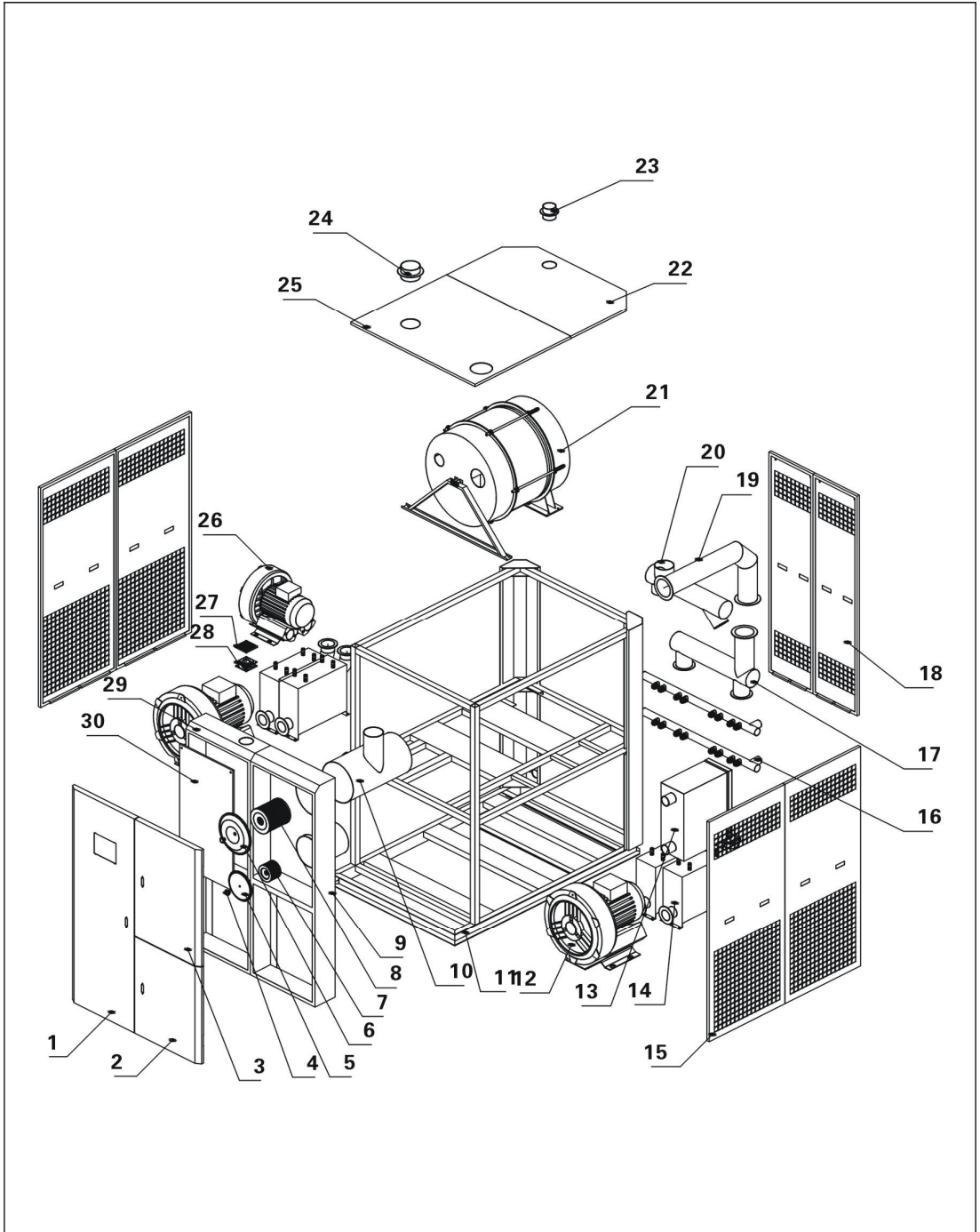
No.	Description	Part No.	No.	Description	Part No.
1	Front plate left	-	16	Water flow regulator	-
2	Right lower door	-	17	Return air pipe	-
3	Right upper door	-	18	Rear plate	-
4	Star nut	YW09675100000	19	Return air pipe	-
5	Vacuum hopper cover 12l	YL21001200100	20	Air outlet pipe	-
6	Circulation filter barrel lid	-	21	Honeycomb components	YW71773000200
7	Filter **	YR50203000000	22	Rear cover plate	-
8	Filter **	YR50275700000	23	Air inlet flange	-
9	Filter component cabinet	-	24	Air outlet flange	-
10	Circulation filter barrel	-	25	Front cover board	-
11	Outer rest	-	26	High-pressure blower 7.5HP*	YM30072900000
12	High-pressure blower 15HP *	YM30150300300	27	Dust screen **	YR40120300000
13	Heating case components*	-	28	Exhaust fan **	YM60121200400
14	Cooler	-	29	Electrical control box	-
15	Side plate	-	30	Board of electric components cabinet	-

* means possible broken parts.

** means easy broken part. and spare backup is suggested.

Please confirm the version of manual before placing the purchase order to guarantee that the item number of the spare part is in accordance with the real object.

2.5.8 Assembly Drawing (SD-3000H)



Remarks: Please refer to material list 2.5.9 for specific explanation of the Arabic numbers in parts drawing.

Picture 2-8: Assembly Drawing (SD-3000H)

2.5.9 Parts List (SD-3000H)

Table 2-6: Parts List (SD-3000H)

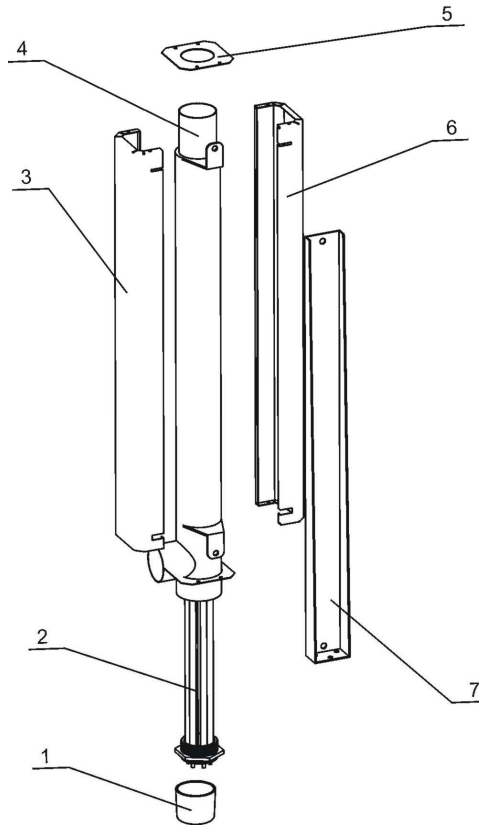
No.	Description	Part No.	No.	Description	Part No.
1	Front plate left	-	16	Water flow regulator	-
2	Right lower door	-	17	Return air pipe	-
3	Right upper door	-	18	Rear plate	-
4	Star nut	YW09675100000	19	Return air pipe	-
5	Vacuum hopper cover 12l	YL21001200100	20	Air outlet pipe	-
6	Circulation filter barrel lid	-	21	Honeycomb components	YW71965400100
7	Filter Adc3 **	YR50241400100	22	-	-
8	Filter **	YR50277500000	23	Air inlet flange	-
9	Installation box of filter	-	24	Air outlet flange	-
10	Circulation filter barrel	-	25	-	-
11	Outer rest	-	26	High-pressure blower 15HP*	YM30150300300
12	High-pressure blower 20HP *	YM30200300300	27	Dust screen **	YR40120300000
13	Heating case components*	-	28	Exhaust fan **	YM60121200400
14	Cooler	-	29	Electrical control box	-
15	Side plate	-	30	Board of electric components cabinet	-

* means possible broken parts.

** means easy broken part. and spare backup is suggested.

Please confirm the version of manual before placing the purchase order to guarantee that the item number of the spare part is in accordance with the real object.

2.5.10 Pipe Heaters

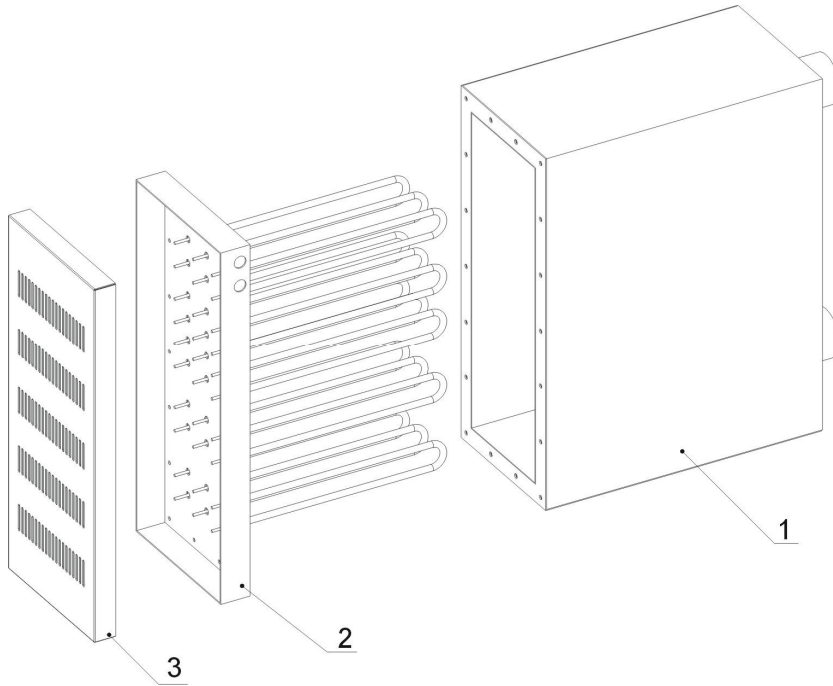


Parts name:

- | | | |
|------------------------|-----------------------|---------------------------|
| 1. Electric wood cover | 2. Pipe heater | 3. Heater wrapper sheet 1 |
| 4. Heating tank | 5. Heater cover plate | 6. Heater wrapper sheet 2 |
| 7. Heater fixed seat | | |

Picture 2-9: Pipe Heaters

2.5.11 Heating Case



Picture 2-10: Heating Case

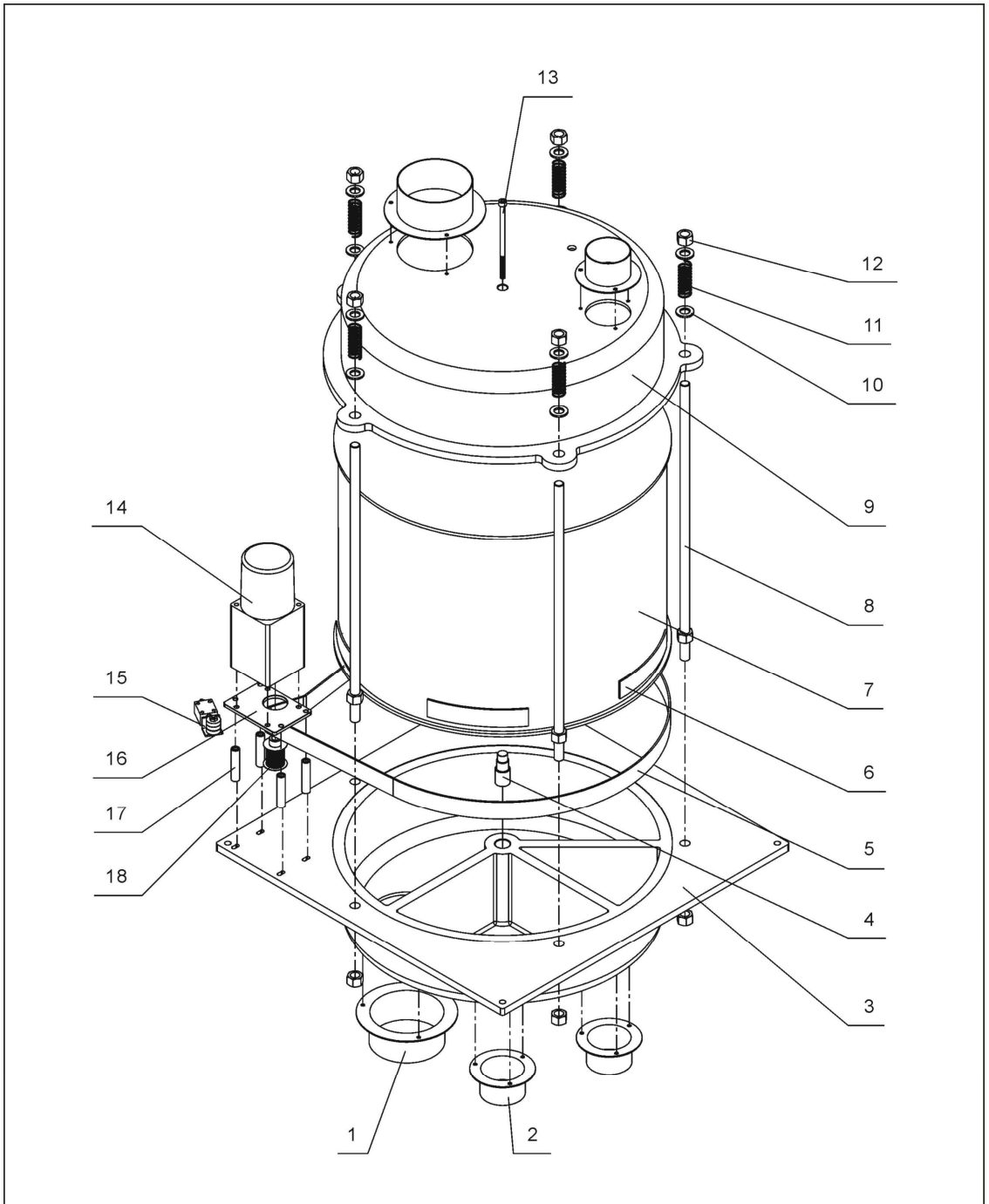
Table 2-7: Optional heating case spare parts list (SD-200H~700H-PHC)

No.	Description	Part No.		
		SD-200H	SD-400H	SD-700H
1	Heating case	-	-	-
2	Pipe heater	BH70124000550	BH70184000550	BH70244000850
3	Heating case cover	-	-	-

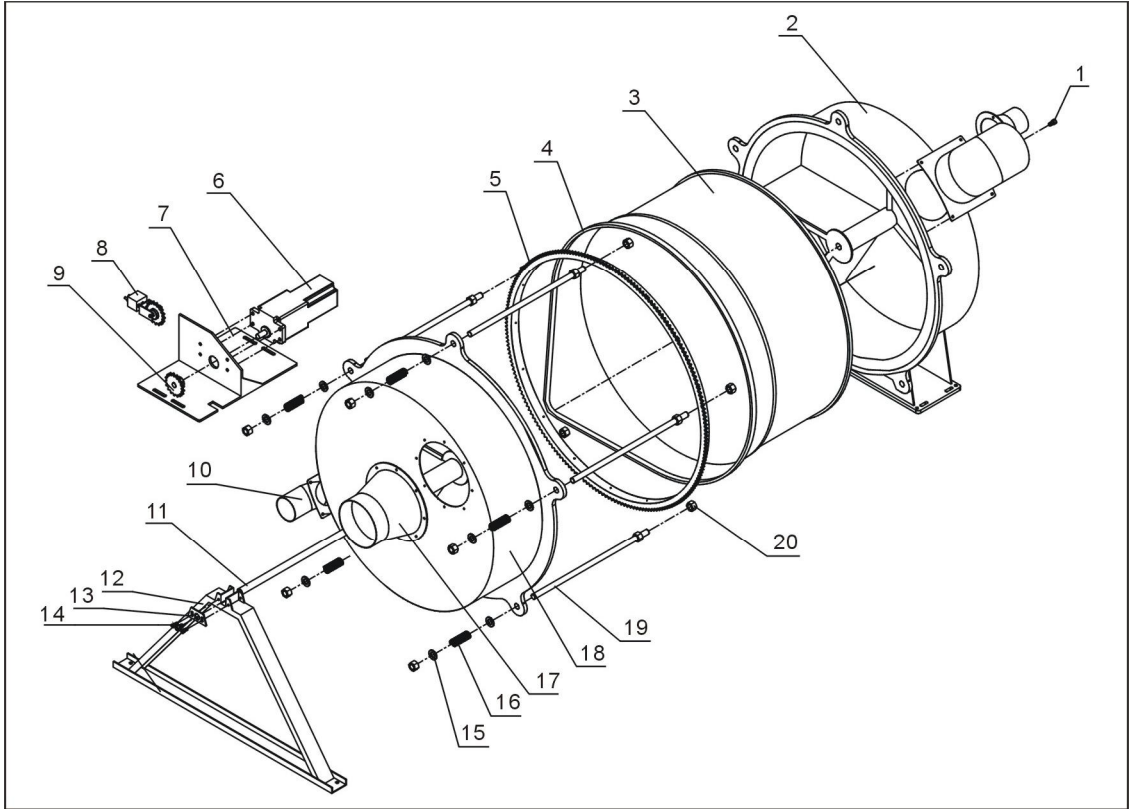
Table 2-8: Heating case spare parts list (SD-1000H~3000H)

No.	Description	Part No.			
		SD-1000H	SD-1500H	SD-2000H	SD-3000H
1	Heating case	-	-	-	-
2	Pipe heater	BH70154000550	BH70284000550	BH70284000650	BH70324000550
3	Heating case cover	-	-	-	-

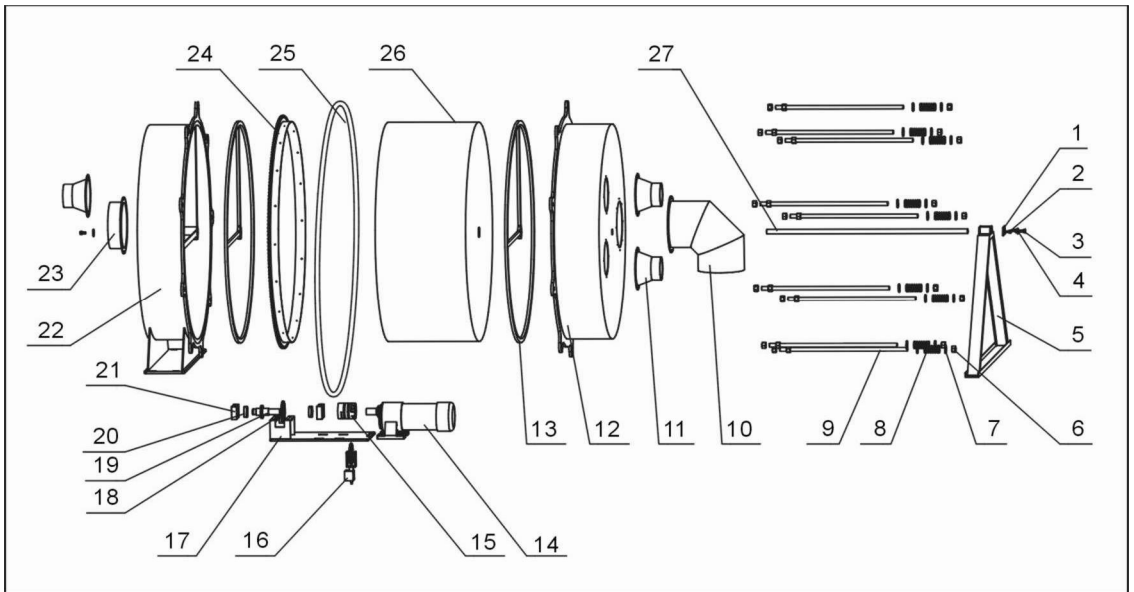
2.5.12 Honeycomb



Picture 2-11: Honeycomb Parts Drawing (SD-700H/1000H/2000H)



Picture 2-12: Honeycomb Parts Drawing(SD-1500H)



Picture 2-13: Honeycomb Parts Drawing (SD-3000H)

2.5.13 Parts List of Honeycomb (SD-700H/1000H/2000H/3000H)

Table 2-9: Parts List (SD-700H)

No.	Description	Part No.	No.	Description	Part No.
1	4" Honeycom flange	-	10	Flat washer 16	-
2	2.5" honeycomb flange	-	11	Spring	YW01201800000
3	Lower cover	-	12	Hex nut M16	-
4	Honeycomb shaft	-	13	Hexgon socket head cap screw M8	-
5	Synchronous belt	YR00305800000	14	Gear motor	YM50512600000
6	Synchronous pulley	YR00003000000	15	Belt adjustor	-
7	Honeycomb	YW71440400000	16	Mounting plate of gear motor	-
8	Double-end screw	BH10554500040	17	Locating tube	-
9	Upper cover	-	18	Synchronous pulley	-

* means possible broken parts. ** means easy broken part. and spare backup is suggested. Please confirm the version of manual before placing the purchase order to guarantee that the item number of the spare part is in accordance with the real object.

Table 2-10: Parts List (SD-1000H/2000H)

No.	Description	Part No.	No.	Description	Part No.
1	5" Honeycom flange	-	10	Flat washer 16	-
2	3" honeycomb flange	-	11	Spring	YW01201800000
3	Lower cover	-	12	Hex nut M16	-
4	Honeycomb shaft	-	13	Hexgon socket head cap screw M8	-
5	Synchronous belt	YR00357300000	14	Gear motor	YM10940000200
6	Synchronous pulley	YR00003800000	15	Belt adjustor	-
7	Honeycomb	YW71554000100	16	Mounting plate of gear motor	-
8	Double-end screw	BH10554500040	17	Locating tube	-
9	Upper cover	-	18	Synchronous pulley	-

* means possible broken parts. ** means easy broken part. and spare backup is suggested. Please confirm the version of manual before placing the purchase order to guarantee that the item number of the spare part is in accordance with the real object.

Table 2-11: Parts List (SD-1500H)

No.	Description	Part No.	No.	Description	Part No.
1	Hexgon socket head cap screw M8×20	YW61082000000	11	Honeycomb shaft	-
2	Fixed honeycomb	-	12	Honeycomb support	-
3	Honeycomb	YW71773000100	13	Lag	-
4	Roller chain	YW09085100000	14	Hexgon socket head cap screw M6×10	YW61061000100
5	Driven sprocket	-	15	Flat washer 16	YW66163000000
6	Gear motor	YM10916000000	16	Spring	YW01318365000
7	Motor base	-	17	6" honeycomb flange	
8	Tensioner	-	18	Movable honeycomb cover	-
9	Drive sprocket	-	19	Double-end screw	BH10543000040
10	3" honeycomb flange	-	20	Hex nut M16	YW64001600000

* means possible broken parts.

** means easy broken part. and spare backup is suggested.

Please confirm the version of manual before placing the purchase order to guarantee that the item number of the spare part is in accordance with the real object.

Table 2-12: Parts List (SD-3000H)

No.	Description	Part No.	No.	Description	Part No.
1	Cleading	-	15	Shaft coupler	YW90263700000
2	Hexgon socket head cap screw M6×10	YW61061000100	16	Tensioner	-
3	Hexgon socket head cap screw M8×35	YW61083500000	17	Motor cabinet	-
4	Flat gasket 8×19	YW66081900000	18	Drive sprocket	-
5	Honeycomb frame	-	19	Bearing	-
6	Nut M16	YW61083500000	20	Bearing	YW11600500000
7	Flat gasket 16×30	YW66163000000	21	Bearing block	-
8	Spring	YW01140400000	22	Set honeycomb cover	-
9	Double-headed screw bolt	-	23	Temperature reducing flange	-
10	Air inlet bend	-	24	Driven sprocket	-
11	Reproduce flange	-	25	Roller chain	YW09121600000
12	Flexible honeycomb cover	-	26	Honeycomb	YW71965400100
13	Seal washer	-	27	Honeycomb shaft	-
14	Gearmotor	YM10281500000			

* means possible broken parts.

** means easy broken part. and spare backup is suggested.

Please confirm the version of manual before placing the purchase order to guarantee that the item number of the spare part is in accordance with the real object.