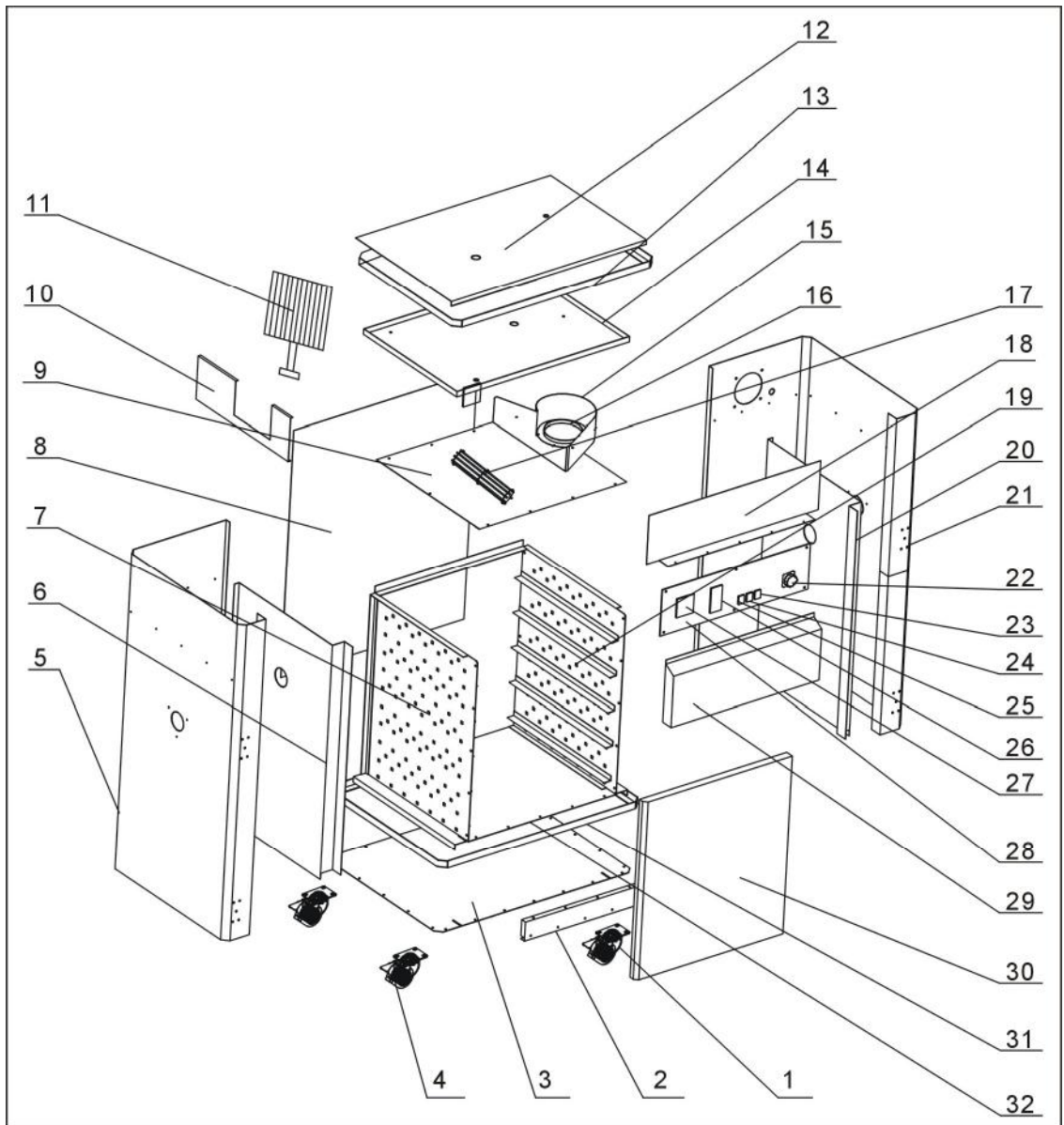


2.3 Drawing and Parts List

2.3.1 Assembly Drawing (CD-5/9(HT))



Remarks: Please refer to material list 2.3.2 for specific explanation of the Arabic numbers in parts drawing.

Picture 2-2: Assembly Drawing (CD-5/9(HT))

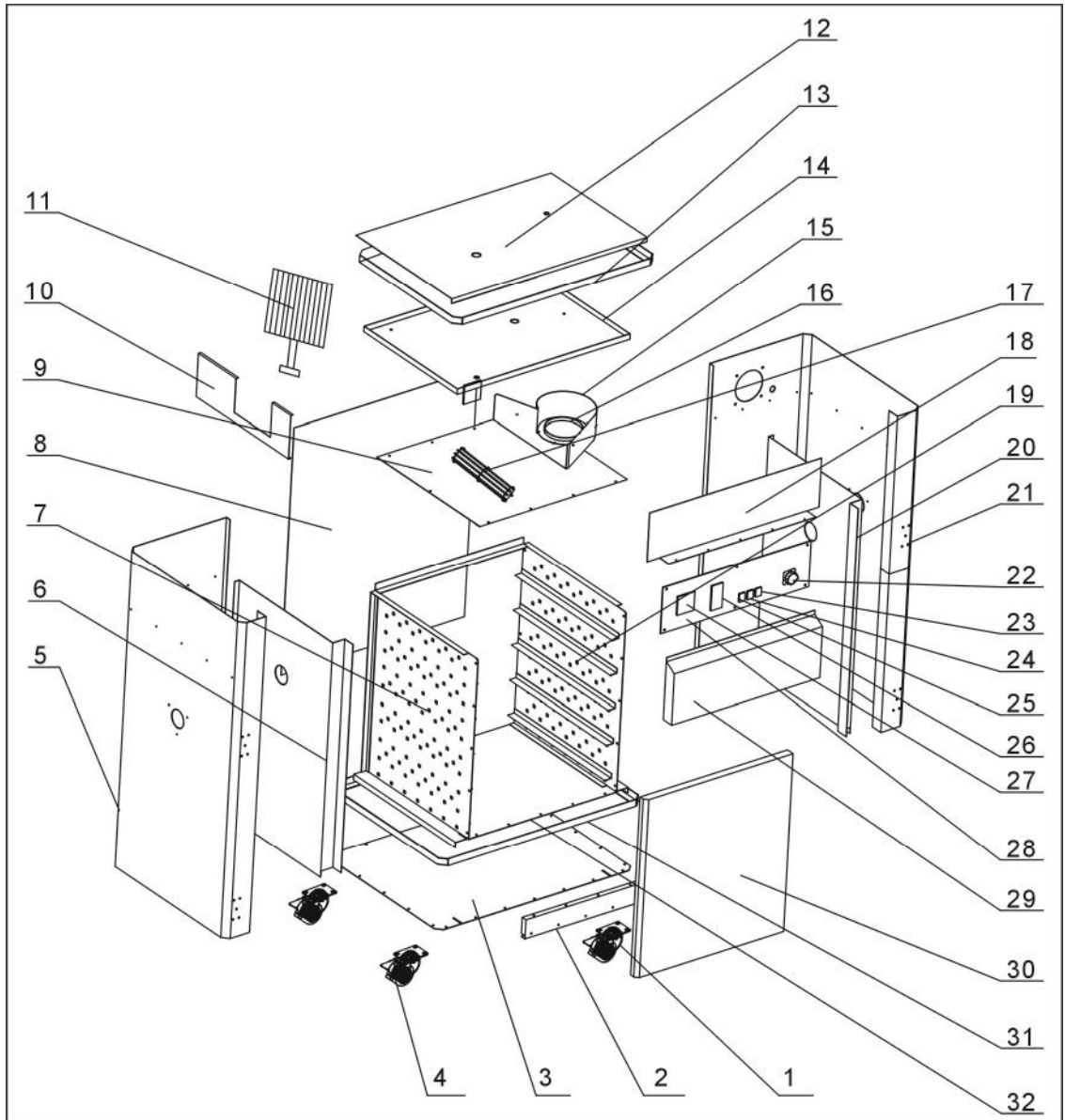
2.3.2 Parts List (CD-5/9(HT))

Table 2-1: Parts List (CD-5/9(HT))

No.	Name	Part No.	
		CD-5-(HT)	CD-9-(HT)
1	3" mobile castor	YW03000300200	YW03000300200
2	Bottom panel stents	-	-
3	Bottom plate	-	-
4	3" castor with brake	YW03000300000	YW03000300000
5	Shell left board	-	-
6	Lateral every cotton board	-	-
7	Left leak board	-	-
8	Back panel	-	-
9	Tank roof	-	-
10	Wind leaf mouth dampers	-	-
11	Motor	YM10271100000	YM10271100000
12	Plate cover	-	-
13	Bearing on	-	-
14	Motor floor	-	-
15	Wind leaf cover	-	-
16	Wind leaf circle	-	-
17	Heater*	BH70094500050	BH70094500050
18	Wind leaf fixed board	-	-
19	Right leak board	-	-
20	Right every cotton board	-	-
21	Shell right board	-	-
22	The switch	YE10200300000	YE10200300000
23	Motor switch	YE10210400000	YE10210400000
24	Electric switch	YE10210400000	YE10210400000
25	Timer switch	YE10220600000	YE10220600000
26	Temperature controller	YE85020000000	YE85020000000
27	Timer	YE86002400000	YE86002400000
28	Nameplate	YE86002400000	YE86002400000
29	Along the board in	-	-
30	Oven door right	-	-
31	Bearings under	-	-
32	Tank bottom	-	-

* means possible broken parts. ** means easy broken part. and spare backup is suggested. Please confirm the version of manual before placing the purchase order to guarantee that the item number of the spare part is in accordance with the real object.

2.3.3 Assembly Drawing (CD-20/20L(HT))



Remarks: Please refer to material list 2.3.2 for specific explanation of the Arabic numbers in parts drawing.

Picture 2-3: Assembly Drawing (CD-20/20L(HT))

2.3.4 Parts List (CD-20/20L(HT))

Table 2-2: Parts List (CD-20/20L(HT))

No.	Name	Part No.	
		CD-20-(HT)	CD-20L-(HT)
1	4" mobile castor	YW03000400200	YW03000400200
2	Bottom panel stents	-	-
3	Bottom plate	-	-
4	Next stents	-	-
5	4" castor with brake	YW03000400000	YW03000400000
6	Shell left board	-	-
7	Left the wool board	-	-
8	Left air board	-	-
9	First board	-	-
10	Back panel	-	-
11	Tank roof	-	-
12	Wind leaf fixed board	-	-
13	Motor floor	-	-
14	Bearing on	-	-
15	Plate cover	-	-
16	Wind leaf cover	-	-
17	Wind leaf circle	-	-
18	Heater*	BH70200900050	BH70201800050
19	Motor	YM10290400000	YM10290400000
20	Shell right board	-	-
21	Right every cotton board	-	-
22	Air board right	-	-
23	Wind leaf fixed board	-	-
24	Support among	-	-
25	Name plate on the board	-	-
26	Nameplate	YP30000000100	YP30000000100
27	The switch	YE10210300000	YE10210300000
28	Motor switch	YE10210400000	YE10210400000
29	Electric switch	YE10210400000	YE10210400000
30	Timer switch	YE10210600000	YE10210600000
31	Temperature controller	YE85020000000	YE85020000000
32	Timer	YE86002400000	YE86002400000
33	Nameplate left bearing	-	-
34	Nameplate Along support	-	-

No.	Name	Part No.	
		CD-20-(HT)	CD-20L-(HT)
35	Nameplate Right support	-	-
36	Tank bottom	-	-
37	Box door left	-	-
38	Box right frame	-	-

* means possible broken parts. ** means easy broken part. and spare backup is suggested. Please confirm the version of manual before placing the purchase order to guarantee that the item number of the spare part is in accordance with the real object.