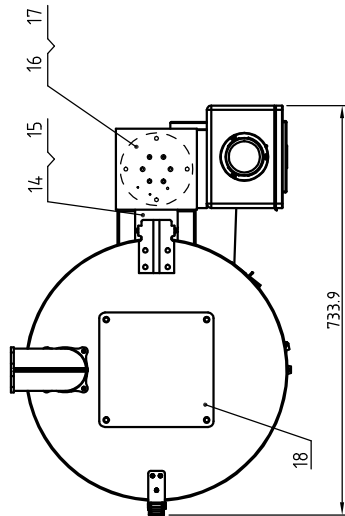
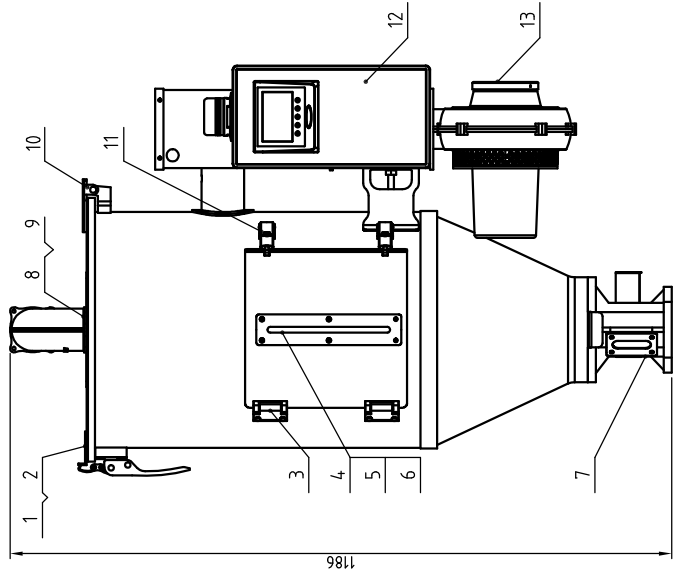
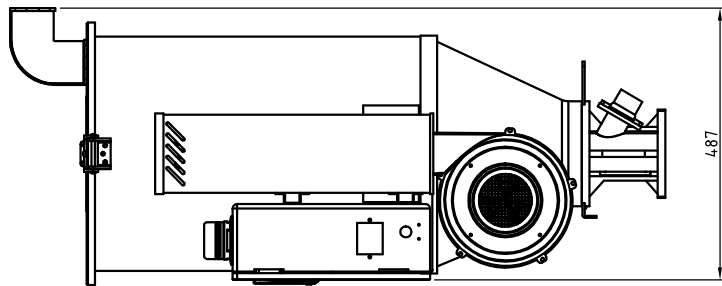


16	BW0920200000	Square plate SEHD-100-A-09(ver.0)	SPCC1.0	1	
15	BE85018000150	Temp. protector 80 degree centrifugal LBN (1mm x 1)	Assembly	1	
14	BH70250302150	Pipe heater SEHD-25-B-03 3KW/3 0/400V	Assembly	1	
13	BW72250100610	Heat-resistant insulated pipe SEHD-25-ALL-01	Assembly	1	
12	YE90055501300	Thermopipe 5-55-400-1 (HSHD-400-A-2, pipe 0 plate)	Assembly	1	
11	BM4.0002500350	Blower 25-30380/440V/50/60HZ (white)	Assembly	1	
10	BL01005000720	Short control box SEHD-50-ALL-02(ver.B)	Welding parts	1	
9	YW0612504.0000	Rear cover knob SHD-12/50(has mould)	Q235A	1	
8	YR10500900300	Exhaust pipe fastener SHD-50-A-10 (ver.0)(has mould)	Rubber	1	
7	BA105007010	Exhaust pipe SHD-50-A-17 (painted)(has mould)	AC4D	1	
6	BY10050003150	Standard base assembly HB-50(ver.B)	Assembly	1	
5	BW0900063004.0	Plated sight glass iron sheet six hole	SPCC	1	
4	YR4.0000600000	Sight glass fastener six hole (has mould)P-4-38	Rubber	1	
3	YR4.0001200000	Acryl six hole SHD-12-A-26 mat. PC (has mould)	PC	1	
2	YW000012000000	Handle hook SEHD-12-A-14	SPCC3.0	1	
1	YW00121000000	Handle SEHD-25-A-08(ver.0)	Assembly	1	

Title		SEHD-25		Drawing no.		SD-40H-ALL	
Dra.		Ver.		App. by		Date	
Desi.		App.		by		Date	
Check		App.		Mod. by		Date	
App.		App.		Mod. by		Date	
Mark	Before Mod.	After Mod.	Mod. by	Date	Mod. by	Date	
Scale				1:12	No.	1	
Surface req.				Mat.			
Mat.				Mat.			

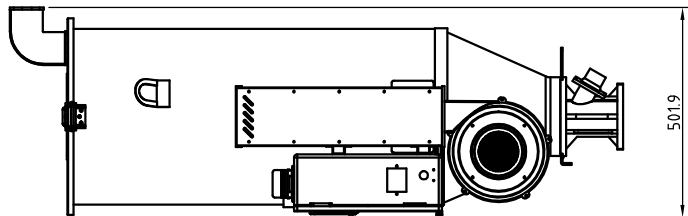
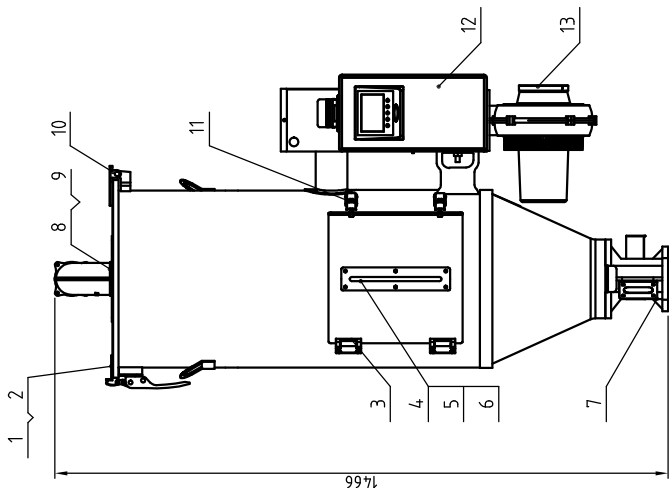




18	BW09202000000	Square plate SEHD-100-A-09(ver.0)	SPCC10	1	
17	BE85018000150	Temp. protector 180 degree centrifugal (1.5W (thermal area))	Assembly	1	
16	BH70504200010	Pipe heater SEHD-50-B-02 3.9KW/210.400V	Assembly	1	
15	BW72010000610	Heat-resist ant insulated pipe SEHD-50-ALL-01	Assembly	1	
14	YE90056500700	Thermocouple 5.65x1.14x565P-50U-ALL-07(ver.0)	Assembly	1	
13	BM4.0003000250	Blower 3"φx380/4.60V/50/60HZ(white)	Assembly	1	
12	BL01005000720	Sheet control box SEHD-50-ALL-02(ver.B)	Welding parts	1	
11	YW09058000008	Buckle SDP-058(SUS304)	SUS304	2	
10	YW0612504.00000	Rear cover knob SHD-12/50(has mould)	Q235A	1	
9	YR10500900300	Exhaust pipe fastener SEHD-50-A-10 (ver.0) rubber has mould	Rubber	1	
8	BA10500707010	Exhaust pipe SEHD-50-A-07 (painted)has mould	AC4D	1	
7	BY10050003150	Standard base assembly 1B-50	Assembly	1	
6	BW09000630040	Plated sight glass iron sheet six hole	SPCC	1	
5	YR40000600000	Sight glass fastener six hole (has mould)B-2A-2B	Rubber	1	
4	YR4.00012000000	Acryl six hole SHD-1E-A-26 mat. PC (has mould)	PC	1	
3	BH10000012510	Large hinge SHD-20-A-11 (processed)ver.0	Alu. alloy	2	
2	YW0000012000000	Handle hook SEHD-12-A-14	SPCC3.0	1	
1	YW00121000000	Handle SEHD-25-A-08(ver.0)	Assembly	1	

Mark	Before Mod.	After Mod.	Mod. by	Date	App.	Date	Check	Date	Desi.	Dra.	Ver.	Title SEHD-50 Energy-efficient Hopper Dryer		
Drawing no. SEHD-50-ALL												Scale 1:9	No. 1	Remarks
Material number Name														
Mat.												Mat.	Surface req.	Mat. No.

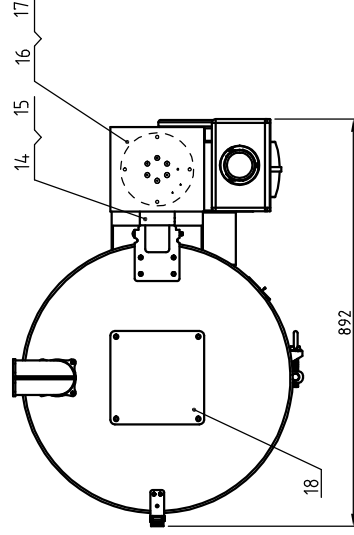
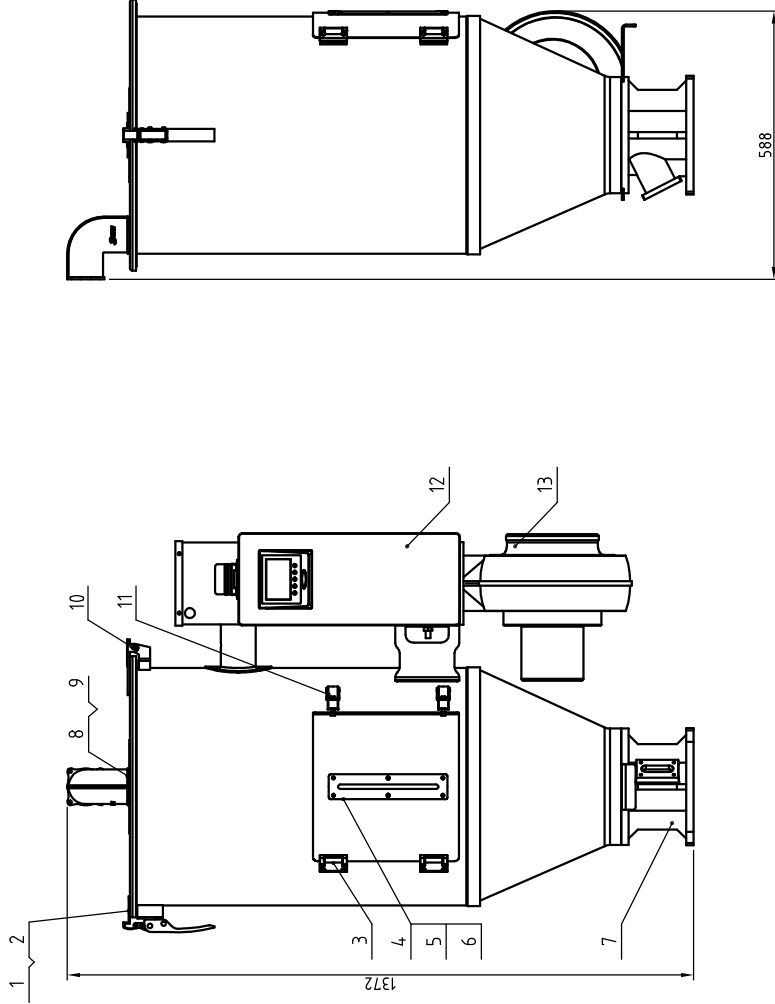




18	BW09202000000	Square plate SEHD-100-A-09(ver.0)(has mould)	SPCC10	1	
17	BE85018000150	Temp. protector 80 degree centrifigale.L.50K (thermal pr.)	Assembly	1	
16	BH70750102250	Pipe heater SEHD-75-B-01 L.20W/21 L.400(ver.0)	Assembly	1	
15	BW72010000670	Heat-resistant insulated pipe SEHD-50-ALL-01	Assembly	1	
14	YE90056500700	Thermocouple 5.65-MS-L1MSERP-50U-ALL-07(ver.0)	Assembly	1	
13	BM4.0003000250	Blower 3"φx380/460V/50/60HZ(white)	Assembly	1	
12	BL01005000720	Short control box SEHD-50-ALL-02(ver.B)	Welding parts	1	
11	YW09005800008	Buckle SDP-058(SUS304)	SUS304	2	
10	YW0612504.0000	Rear cover knob SHD-12/50(has mould)	Q235A	1	
9	YR10500900300	Exhaust pipe fastener SEHD-50-A-10 (ver.0) rubber has mould	Rubber	1	
8	BA10500707010	Exhaust pipe SEHD-50-A-07 (painted)(has mould)	AC4D	1	
7	BY10050003150	Standard base assembly HB-50	Assembly	1	
6	BW09000630040	Plated sight glass iron sheet six hole	SPCC	1	
5	YR4.00000600000	Sight glass fastener six hole (has mould)(12.4x2)	Rubber	1	
4	YR4.00012000000	Argy six hole SHD-12-A-26 mat. PC (has mould)	PC	1	
3	BH10000012510	Large hinge SHD-200-A-11 (processed)(ver.0)	Alu. alloy	2	
2	YW0000012000000	Handle hook SEHD-12-A-14	SPCC3.0	1	
1	YW00121000000	Handle SEHD-25-A-08(ver.0)	Assembly	1	
No.	Material number	Name	Mat.	Num.	Remarks

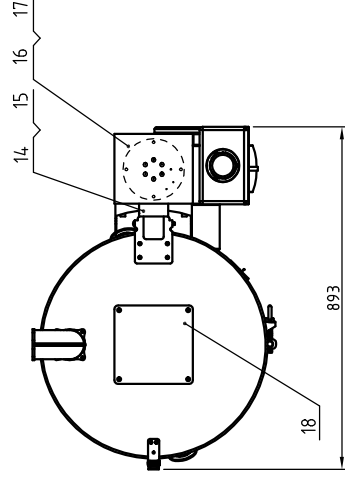
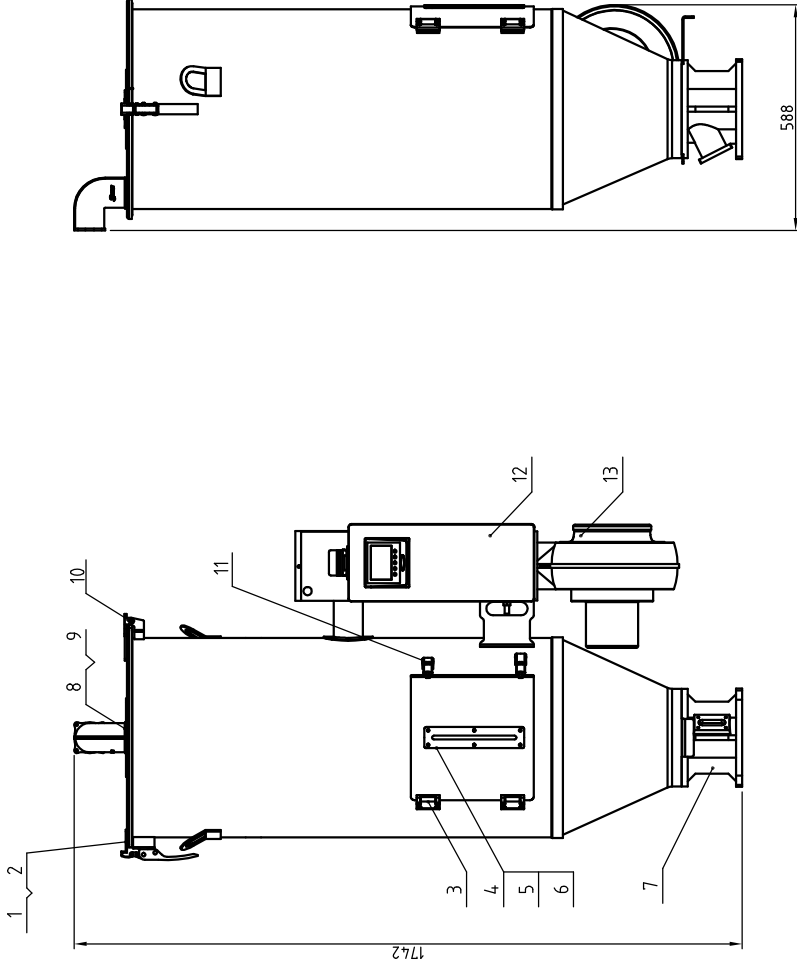
Title		Drawing no.		Scale		1:12		No. 1	
SEHD-75		SEHD-75-ALL		1:12		No. 1		Mat.	
Energy-efficient Hopper Dryer								Surface req.	
								Mat. No.	
Mark		Before Mod.	After Mod.	Mod. by	Date	App.	Date	App.	Date





18	BW09202000000	Square plate SEHD-100-A-09(ver.0)(has mould)	SPCC10	1	
17	BE85018000150	Temp. protector 80 degree centrifuge L-081(thermal pin)	Assembly	1	
16	BH70010000150	Pipe hanger SEHD-100-B-03 8KW/3-140V/50/60HZ(0)	Assembly	1	
15	BW72010000610	Heat-resistant insulated pipe SEHD-50-ALL-01	Assembly	1	
14	YE90054001300	Thermoplastic resin roller SEHD-100-A-12 (pin ver. A)	Assembly	1	
13	BM40004000150	Blower fan 3Φ380/460V/50/60HZ(white)	Assembly	1	
12	BL01050000120	Long control box SEHD-500-A-28(ver.B)	Welding parts	1	
11	YW09005800000	Buckle SDP-058(SUS304)	SUS304	2	
10	YW06102000000	Rear cover knob SEHD-100-A-10(ver.0)(has mould)	Q235A	1	
9	YR10500900300	Exhaust pipe SEHD-50-A-9(ver.0) rubber(has mould)	Rubber	1	
8	BA10500707010	Exhaust pipe SEHD-50-A-07 (painted)(has mould)	AC4D	1	
7	BY10200000050	Standard base assembly HB-200	Assembly	1	
6	BW09000630040	Plated sight glass iron sheet six hole	SPCC	1	
5	YR40000600000	Sight glass fastener six hole (has mould)(90.9-4-2)	Rubber	1	
4	YR40001200000	Acryl six hole SHD-12-A-26 mat. PC (has mould)	PC	1	
3	BH10000012510	Large hinge SEHD-200-A-11 (processed)(ver.0)	Alu. alloy	2	
2	YW0000012000000	Handle hook SEHD-12-A-14	SPCC30	1	
1	YW00121000000	Handle SEHD-25-A-08(ver.0)	Assembly	1	

Title		SEHD-100		Drawing no.		SEHD-100-ALL		Scale		No. 1	
Title		Energy-efficient Hopper Dryer		Drawing no.		SEHD-100-ALL		Scale		No. 1	
Mark	Before Mod.	After Mod.	Mod. by	Date	App.	Check	Desi.	Dra.	Ver.	App. by	Date
信易電熱機械股份有限公司 Shini Plastics Technologies, Inc.											
										Surface req.	
										Mat. No.	

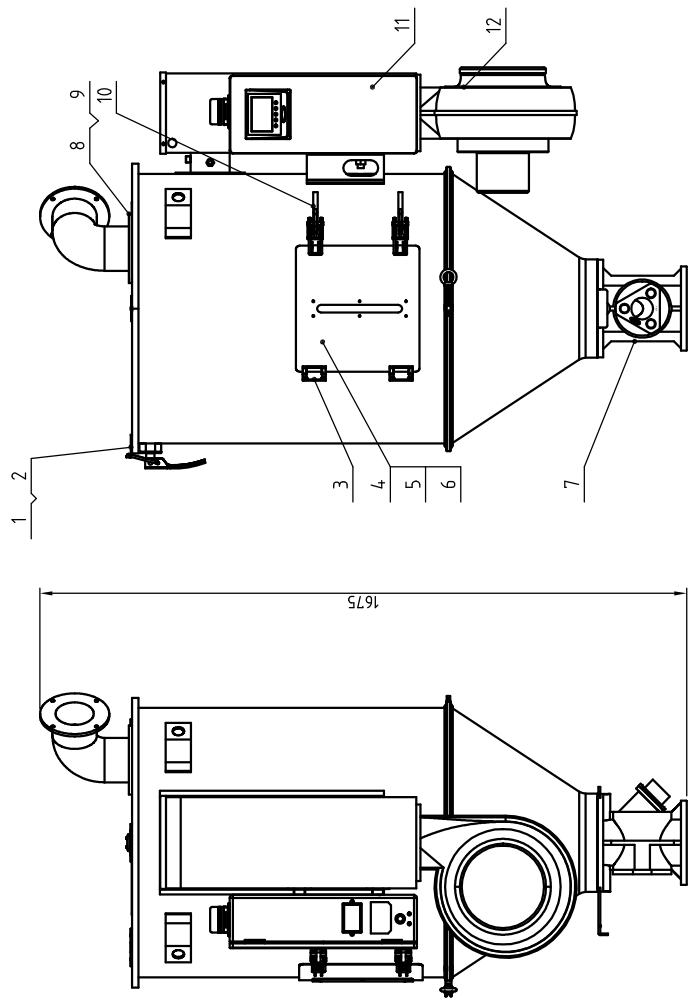


No.	Material number	Name	Num.	Remarks
18	BW09202000000	Square plate SEHD-100-A-09(ver.0)(has mould)	SPCC1.0	1
17	BE85018000150	Temp. protector 80 degree centrifugal LSW (thermal pv.)	Assembly	1
16	BH70015000150	Pipe hanger SEHD-100-A-16 (4W/3-φ40V/50/60Hz)	Assembly	1
15	BW720100000610	Heat-resistant insulated pipe SEHD-100-ALL-01	Assembly	1
14	YE90054.001300	Thermoplastic pipe 4W/3-φ40V/50/60Hz	Assembly	1
13	BM40004.000150	Blower 1-3-φ80/460V/50/60Hz (white)	Assembly	1
12	BL01050000120	Long control box SEHD-500-A-28(ver.B)	Welding parts	1
11	YW09005800000	Buckle SDP-058(SUS304)	SUS304	2
10	YW06102000000	Rear cover knob SEHD-100-A-10(ver.0)(has mould)	Q235A	1
9	YR10509000300	Exhaust pipe fastener 10B-26-11 (ver.0) (has mould)	Rubber	1
8	BA10500707010	Exhaust pipe SEHD-50-A-07 (painted)(has mould)	AC4D	1
7	BY10200000050	Standard base assembly HB-200	Assembly	1
6	BW09000630040	Plated sight glass iron sheet six hole	SPCC	1
5	YR40000600000	Sight glass fastener six hole (has mould)(φ6-12-A-25)	Rubber	1
4	YR40001200000	Acryl six hole SHD-12-A-26 mat. PC (has mould)	PC	1
3	BH1000012510	Large hinge SEHD-200-A-11 (processed)(ver.0)	Alu. alloy	2
2	YW000001200000	Handle hook SEHD-12-A-14	SPCC3.0	1
1	YW00121000000	Handle SEHD-25-A-08(ver.0)	Assembly	1

Title		Drawing no.		Name	
SEHD-150		SEHD-150-ALL			
Energy-efficient Hopper-Dryer					
Dra.	Ver.	App.	Date	App.	Date
Desi.		by		App.	
Check				Mod. by	Date
App.				After Mod.	
Mark	Before Mod.				



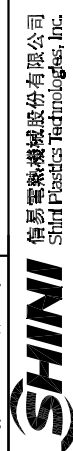
Scale	t:13	No.	1
Surface req.		Mat.	
Mat. No.			

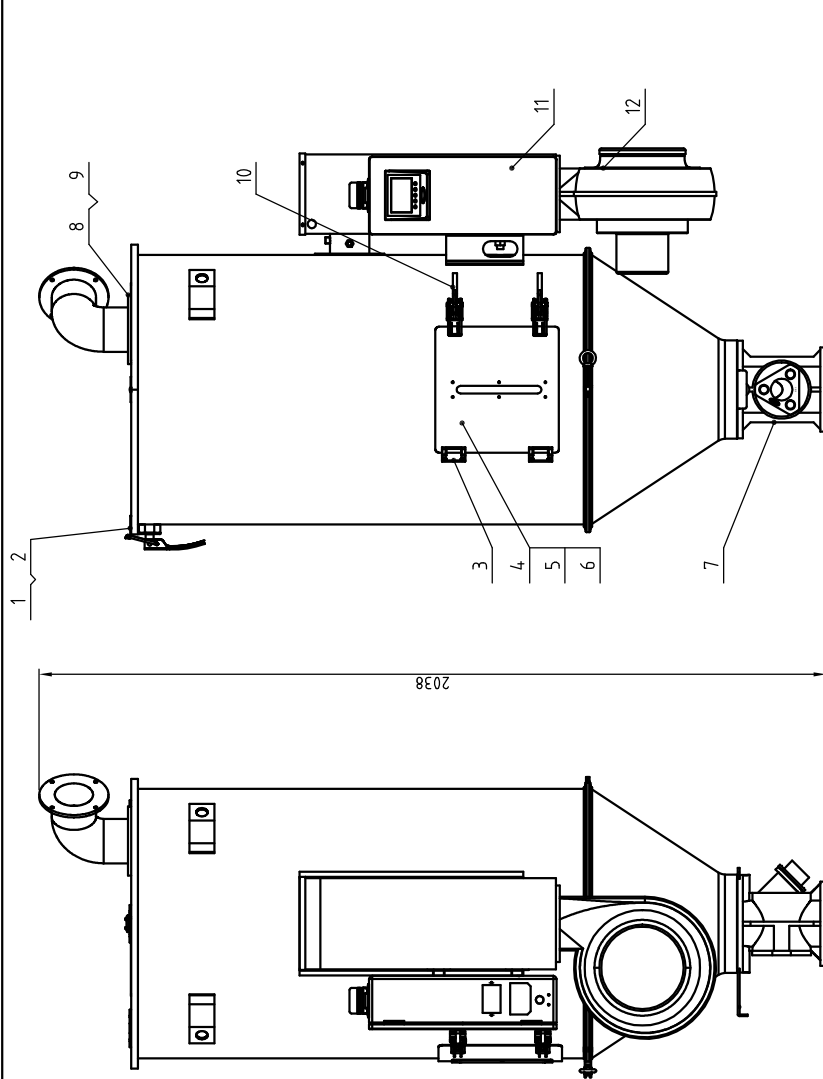


18	BW09202000000	Square plate SEHD-100-A-09(ver.0)(has mold)	SPCC10	1	
17	YW06000400000	Stainless steel hinge 4 inch (SG-234-03-SXZ)	Assembly	3	
16	BE85018000150	Temp. protector 90 degree centrifugal L194(thermapr-1)	Assembly	1	
15	BH70020001350	Pipe heater SEHD-200-B-02 8.4KW/3φ/400V	Assembly	1	
14	BW722012000610	Heat resistant insulate pipe SEHD-200-A-10(ver.0) inner dia. 110.152mm	Assembly	1	
13	YE90054001300	Thermocouple S-40L-198x15M (SHD-100-A-12 pipe ver.A)	Assembly	1	
12	BM40005000150	Blower S-38/7460V/50/60HZ(white)	Assembly	1	
11	BL01050000120	Long control box SEHD-500-A-28(ver.B)	Welding parts	1	
10	YW09043100100	Heavy adjustable hook 431(locked) (one plated)	SUS304	2	
9	YR10204000000	Exhaust pipe fastener 850-200-A-55(roll rubber/has mold)	Rubber	1	
8	BA10020000210	Exhaust pipe SEHD-200-A-10200/000 (painted)	AC4D	1	
7	BY10100000050	Magnetic base assembly MB-100	Assembly	1	
6	BW09000630040	Plated sight glass iron sheet six hole	SPCC	1	
5	YR40000600000	Sight glass fastener six hole (has mould)900-02-A-25	Rubber	1	
4	YR40001200000	Acryl six hole SHD-1E-A-26 mat. PC (has mould)	PC	1	
3	BH10000012510	Large hinge SEHD-200-A-11 (processed)(ver.0)	Alu. alloy	2	
2	YW0000012000000	Handle hook SEHD-12-A-14	SPCC3.0	1	
1	YW00121000000	Handle SEHD-25-A-08(ver.0)	Assembly	1	

No.	Material number	Name	Num.	Remarks
Title SEHD-200				
Drawing no. SEHD-200-ALL				
Energy-efficient Hopper Dryer				
Scale 1:13				
Mat.				
Surface req.				
Mat. No.				

Mark	Before Mod	After Mod	Mod. by	Date	App.	Date	Check	Date	App.	Date

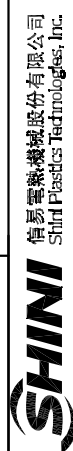


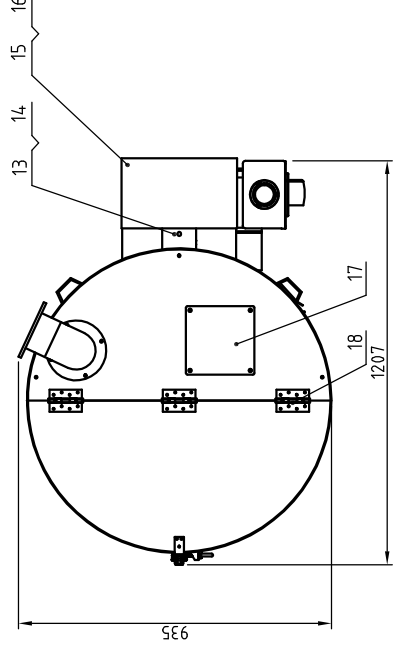
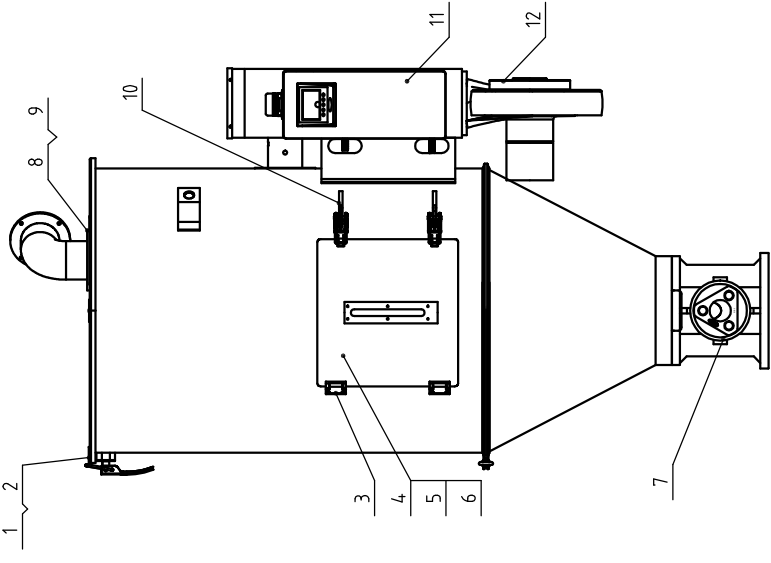


18	BW09202000000	Square plate SEHD-300-A-09(ver.0)(has mould)	SPCC10	1	
17	YW0600004000000	Stainless steel hinge 4 inch (SG-232L-03-S)(Z)	Assembly	3	
16	BE85018000150	Temp. protector 180 degree centigrade 6.128(1mm) (ps-1)	Assembly	1	
15	BH70030000650	Pipe heater SEHD-300-B-01 9.6KW394.00V	Assembly	1	
14	BW722012000610	Heat-resistant moulded pipe SEHD-200-A-20(ver.0)	Assembly	1	
13	YE90054001300	Thermocouple 5.40L-498-15H (SHD-300-A-9 (the ver.A))	Assembly	1	
12	BM40005000150	Blower 5.3*380/460V/50/60HZ(white)	Assembly	1	
11	BL101050000120	Long control box SEHD-500-A-28(ver.B)	Welding parts	1	
10	YW09043100100	Heavy adjustable hook 4.31 (locked) (zinc plated)	SUS304	2	
9	YR10204000000	Exhaust pipe fastener 380-380-45 (ver.0) (rubber/has mould)	Rubber	1	
8	BA10020000210	Exhaust pipe SEHD-200-A-10(200/1000) (painted)	AC4D	1	
7	BY10100000050	Magnetic base assembly MB-100	Assembly	1	
6	BW09000630040	Plated sight glass iron sheet six hole	SPCC	1	
5	YR4000006000000	Sight glass fastener six hole (has mould)(6*2-2)	Rubber	1	
4	YR400012000000	Acrylic six hole SHD-22-A-26 mat. PC (has mould)	PC	1	
3	BH10000012510	Large hinge SEHD-200-A-11 (processed)(ver.0)	Alu. alloy	2	
2	YW0000012000000	Handle hook SEHD-12-A-14	SPCC3.0	1	
1	YW00121000000	Handle SEHD-25-A-08(ver.0)	Assembly	1	

No.	Material number	Name	Num.	Remarks
Title SEHD-300 Drawing no. SEHD-300-ALL				
Energy-efficient Hopper Dryer				
Scale 1:13				
Mat. No.				
Surface req.				
Mat. No.				

Mark	Before Mod.	After Mod.	Mod. by	Date	App.	Date	Check	Date	App.	Date

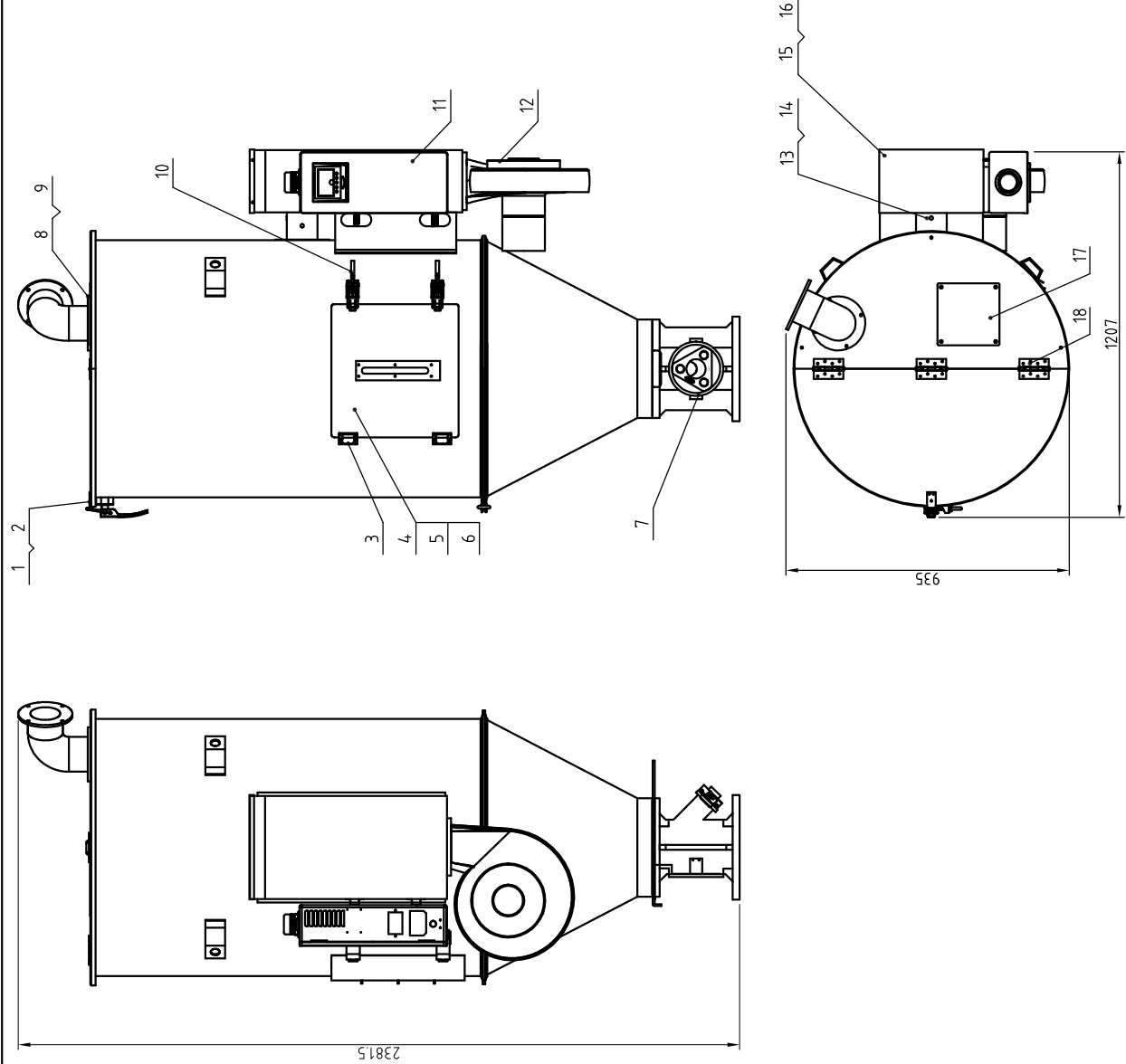




18	BW09202000000	Square plate SEHD-100-A-09(ver.0)(has mold)	SPCC10	1		
17	YW06000400000	Stainless steel hinge 4 inch (SG-324-J3-SXZ)	Assembly	3		
16	BE8501800250	Temp. protector 80 degree centigrade(LWHI(ver.1)	Assembly	1		
15	BH70601800250	Pipe heater SHD-600J-RKV30230/400V	Assembly	1		
14	BW72201200610	Hot venturi insulated pipe SEHD-200-A-10(ver.0) Inner dia.101.55mm	Assembly	1		
13	YE90054001300	Thermocouple S-A01-0984.15M (SHD-120U-A-12 pipe ver.A)	Assembly	1		
12	BM30055000150	Blower S50W200V/400V50/centrifuge senjixc-35-A-AL	Assembly	1		
11	BL01050000120	Long control box SEHD-500-A-28(ver.B)	Welding parts	1		
10	YW09043100100	Heavy adjustable hook L31 (lock) (zinc plated)	SUS304	2		
9	YR10204000000	Exhaust pipe fastener 800-200-A-5(ver.1) rubber(has mold)	Rubber	1		
8	BA10020000210	Exhaust pipe SEHD-200-A-14(200/1000) (painted)	A/C4D	1		
7	BY10400000050	Magnetic base assembly MB-400	Assembly	1		
6	BW09000630040	Plated sight glass iron sheet six hole	SPCC	1		
5	YR400000600000	Sight glass fastener six hole (has mould)S6-2-A-28	Rubber	1		
4	YR40001200000	Acryl six hole SHD-12-A-26 mat. PC (has mould)	PC	1		
3	BH10000012510	Large hinge SEHD-200-A-11 (processed)(ver.0)	Alu. alloy	2		
2	YW000001200000	Handle hook SEHD-12-A-14	SPCC3 0	1		
1	YW00121000000	Handle SEHD-25-A-08(ver.0)	Assembly	1		

Title		Drawing no.		Remarks	
SEHD-400		SEHD-400-ALL		Scale 1:13 No. 1	
Energy-efficient Hopper Dryer				Surface req.	
				Mat. No.	

SHINI		信 亨 電 機 機 械 股 份 有 限 公 司		Shinai Plasctics Technologies, Inc.	
Mark	Before Mod.	After Mod.	Mod. by	Date	

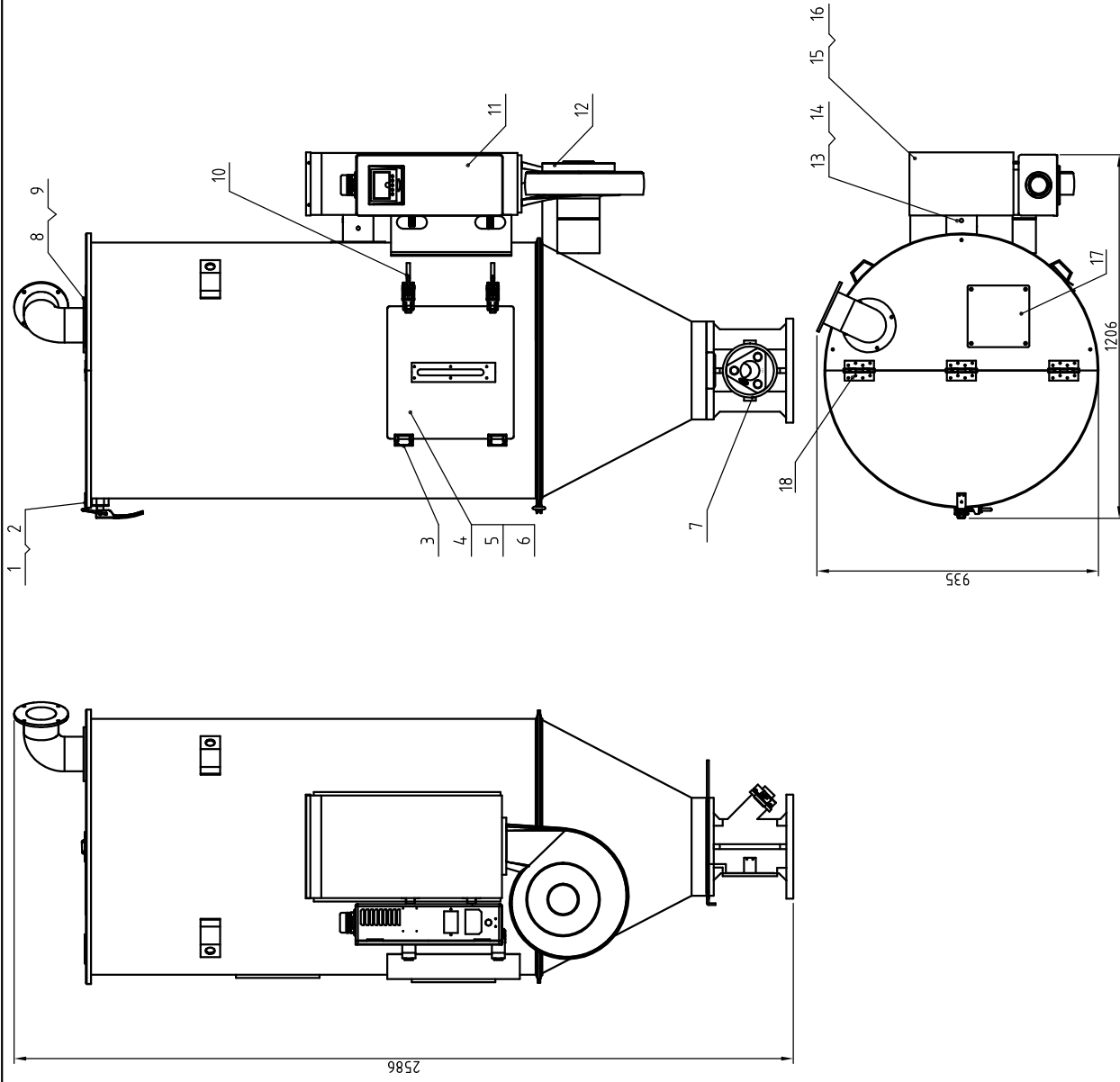


18	BW09202000000	Square plate SEHD-100-A-09(ver.0)(has mold)	SPCC1.0	1	
17	YW060000400000	Stainless steel hinge 4 inch (SG-232L-03-SJZ)	Assembly	3	
16	BE85018000250	Temp. protector 80 degree centigrade 1.2W (1mm x 1)	Assembly	1	
15	BH70019200050	Pipe heater 19.2KW 340.0V SEHD-500-B-01(ver.0)	Assembly	1	
14	BW722012000610	Heat-resistant insulating pipe SEHD-200-A-10(ver.0) inner dia. 119.152mm	Assembly	1	
13	YE90054001300	Thermocouple S-40L-018K1.5M (SHD-100L-A-12 pipe ver.A)	Assembly	1	
12	BM30055000150	Blower S5W230V/400V50/60Hz/12W SEHDTR-55-A-A	Assembly	1	
11	BL01050000120	Long control box SEHD-500-A-28(ver.B)	Welding parts	1	
10	YW090043100100	Heavy adjustable hook 431 (locked) (zinc plated)	SUS304	2	
9	YR10204000000	Exhaust pipe fastener S10-200-A-5(ver.0) rubber(has mold)	Rubber	1	
8	BA10020000210	Exhaust pipe SEHD-200-A-14(200/1000) (painted)	AC4D	1	
7	BY10400000050	Magnetic base assembly MB-400	Assembly	1	
6	BW09000630040	Plated sight glass iron sheet six hole	SPCC	1	
5	YR400000600000	Sight glass fastener six hole (has mold)(S10-24-25)	Rubber	1	
4	YR400012000000	Acryl six hole SHD-12-A-26 mat. PC (has mold)	PC	1	
3	BH10000012510	Large hinge SHD-200-A-11 (processed)(ver.0)	Alu. alloy	2	
2	YW0000012000000	Handle hook SEHD-12-A-14	SPCC3.0	1	
1	YW00121000000	Handle SEHD-25-A-08(ver.0)	Assembly	1	

Title		Drawing no.		Remarks	
SEHD-500		SEHD-500-ALL		Scale	
Energy-efficient Hopper-Dryer				No.	
				Mat.	
				Surface req.	
				Mat. No.	



Mark	Before Mod.	After Mod.	Mod. by	Date	App.	Date	Ver.

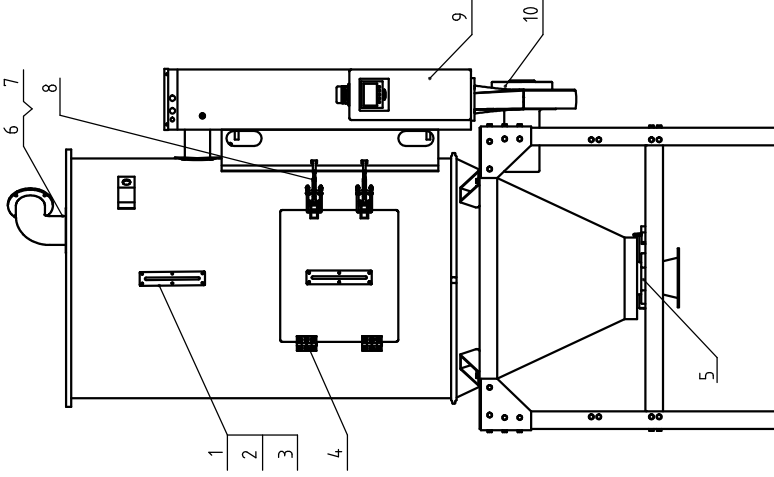
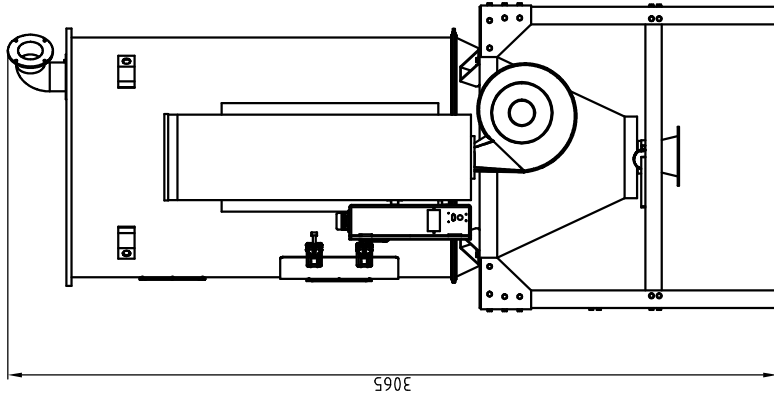


18	BW09202000000	Square plate SEHD-100-A-09(ver.0)(has mold)	SPCC10	1	
17	YW06000400000	Stainless steel hinge 4 inch (SG-2324-03-SJXZ)	Assembly	3	
16	BE85018000250	Temp. protector 88 degree centrifugal (1 unit)(has m.p.s.)	Assembly	1	
15	BH70214000150	Pipe heater SEHD-600-B-01(ver.0)	Assembly	1	
14	BW722012000610	Heat resistant insulating pipe SEHD-200-A-10(ver.0)	Assembly	1	
13	YE90054001300	Thermocouple S-40L-M8C15M (SHD-200-A-12 pipe ver.A)	Assembly	1	
12	BM30055000150	Blower S5W230V/400V50/60Hz(IE SEHD17X-35-A-A)	Assembly	1	
11	BL01050000120	Long control box SEHD-500-A-28(ver.B)	Welding parts	1	
10	YW090431000100	Heavy adjustable hook 431 (locked) (zinc plated)	SUS304	2	
9	YR102040000000	Echert pipe retainer 880-200-A-15(ver.0) rubber(has mold)	Rubber	1	
8	BA10020000210	Exhaust pipe SEHD-200-A-14(200/000) (painted)	A C 4 D	1	
7	BY10400000050	Magnetic base assembly MB-400	Assembly	1	
6	BW09000630040	Plated sight glass iron sheet six hole	SPCC	1	
5	YR400000600000	Sight glass fastener six hole (has mold)(IE-2-2)	Rubber	1	
4	YR400012000000	Acryl six hole SHD-12-A-26 mat PC (has mold)	PC	1	
3	BH10000012510	Large hinge SHD-200-A-11 (processed)(ver.0)	Alu. alloy	2	
2	YW0000012000000	Handle hook SEHD-12-A-14	SPCC3 0	1	
1	YW00121000000	Handle SEHD-25-A-08(ver.0)	Assembly	1	

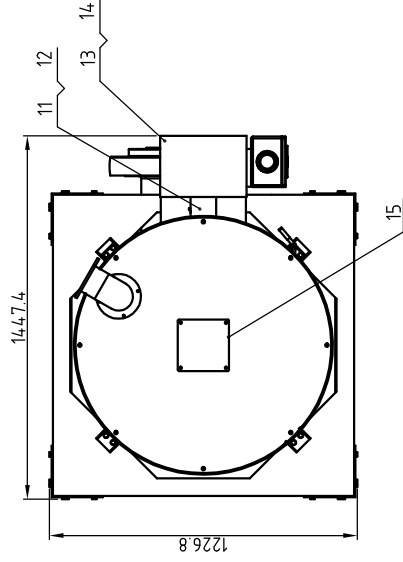
Title		Drawing no.		Name		Remarks	
SEHD-600		SEHD-600-ALL		SEHD-600-ALL		Scale 1:15	
Energy-efficient Hopper Dryer						No. 1	
						Mat.	
						Surface req.	
						Mat. No	

SHINI
信孚電熱機械股份有限公司
Shini Plastics Technologies, Inc.

Mark	Before Mod.	After Mod.	Mod. by	Date	App.	Date	Ver.

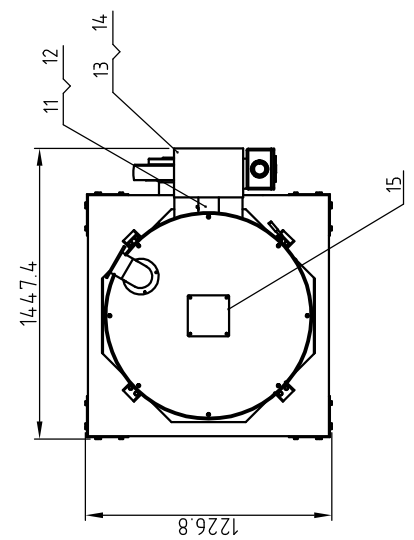
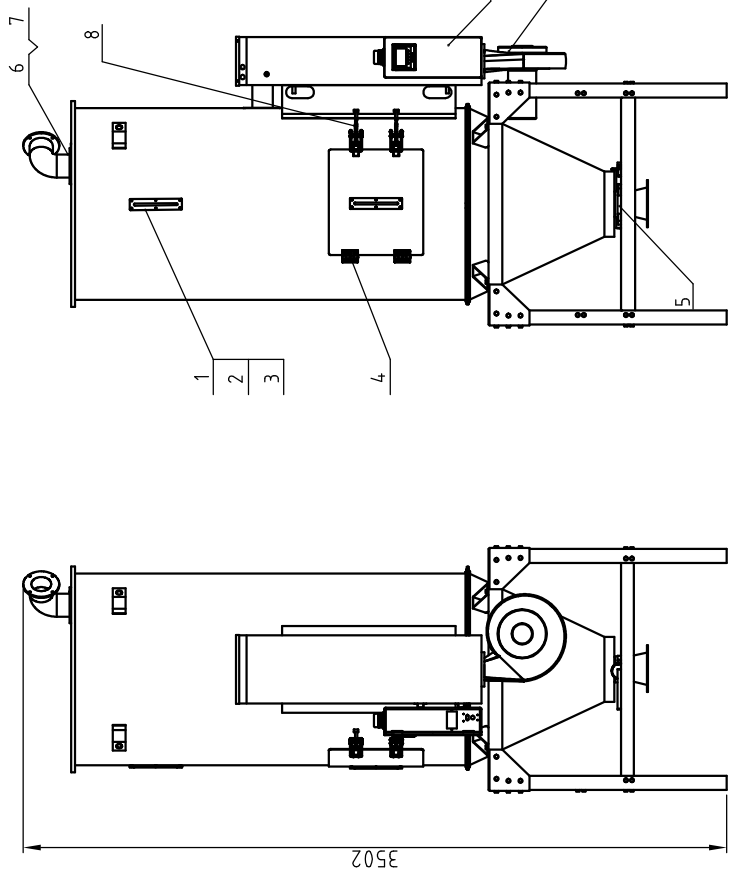


15	BW09202000000	Square plate SEHD-100-A-09(ver.0)(has mould)	SPCC10	1	
14	BE95018000250	Temp. protector 80 degree centrifugal L148 (has wire)	Assembly	1	
13	BH70080001550	Pipe heater SEHD-800-B-05 21KW/3ø4.00V	Assembly	1	
12	BW72080000210	Hot melted material pipe SEHD-800-ALL-RT(ver.2) inner dia.118mm	Assembly	1	
11	YE90959301300	Thermocouple S-93L-MH-2M (SEHD-6000-A-55 pipe ver.A)	Assembly	1	
10	BM30113230050	Blower 1.1KW/3 phase 230V/400V/50HZ(for SHD)	Assembly	1	
9	BL0104.0003220	Long control box SEHD-400-C-01(ver.A)	Assembly	1	
8	YW094.034000000	Heavy adjustable hook-431 (locked) (zinc plated)	Assembly	2	
7	YR10204.0000000	Exhaust pipe fastener 30p-30s-1.5 (with rubber gasket mould)	Rubber	1	
6	BA10020000210	Exhaust pipe SEHD-200-A-14200/1000 (painted)	AC4D	1	
5	YW594.180000000	Manual butterfly 4"	Assembly	1	
4	YW060104.0000000	Hinge X104	Assembly	2	
3	BW09000063004.0	Plated sight glass iron sheet six hole	SPCC	2	
2	YR4.00000600000	Sight glass fastener six hole (has mould) (ø6-19-4-25)	Rubber	2	
1	YR4.00012000000	Acryl six hole SHD-12-A-26 mat. PC (has mould)	PC	2	
No.	Material number	Name	Mat.	Num.	Remarks



Title		SEHD-800		Drawing no.		SEHD-800-ALL	
Drc.		Ver.		App. by		Date	
Desi.		App.		by		Date	
Check		App.		by		Date	
Before Mod.		After Mod.		Mod. by		Date	
Mark		App.		by		Date	
Scale		1:20		No.		1	
Surface req.		Mat.		Mat.		No.	
Mat. No.		Mat.		Mat.		No.	

SHINI
 信易电热机械股份有限公司
 Shini Plastics Technologies, Inc.



15	BW09202000000	Square plate SEHD-100-A-09(ver.0)(has mould)	SPCC10	1	
14	BE65018000250	Temp. protector 80 degree configurable L100 (thermal pro.)	Assembly	1	
13	BH70100002450	Pipe heater SEHD-1000-B-01 24KW/394A00V	Assembly	1	
12	BW72080000270	Hot insulator insulator pipe SEHD-100-ALL-02(ver.2) Exner: 08.10.1110000	Assembly	1	
11	YE90059301300	Thermocouple S-931-M8x20 (SEHD-6000-A-25 pipe ver.A)	Assembly	1	
10	BM30113230050	Blower 1.1KW/3 phase 230V/400V/50HZ(for SHD)	Assembly	1	
9	BL01040003220	Long control box	Assembly	1	
8	YW09403400000	Heavy adjustable hook L31 (locked) (zinc plated)	Assembly	2	
7	YR10204000000	Invert pipe fastener SHD-200-A-5 (with rubber-hose mould)	Rubber	1	
6	BA10020000210	Exhaust pipe SEHD-200-A-14200/000 (painted)	AC4D	1	
5	YW59418000000	Manual butterfly 4"	Assembly	1	
4	YW06010400000	Hinge X104	Assembly	2	
3	BW09000630040	Plated sight glass iron sheet six hole	SPCC	2	
2	YR40000600000	Sight glass fastener six hole (has mould)SHD-0-A-25	Rubber	2	
1	YR40001200000	Acryl six hole SHD-12-A-26 mat. PC (has mould)	PC	2	
No.	Material number	Name	Mat.	Num	Remarks

Title		Drawing no.		Name	
SEHD-1000		SEHD-1000		SEHD-1000-ALL	
Energy-efficient Hopper Dryer					
Dra.	Ver.	App. by	Date	App.	Date
Desi.		Check		App.	
Mod. by	Before Mod.	Mod. by	After Mod.	App.	Date
Mod. by	Before Mod.	Mod. by	After Mod.	App.	Date
Mod. by	Before Mod.	Mod. by	After Mod.	App.	Date
Scale	1:25	No.	1	Mat.	
Surface req.		Mat. No.			

SHINI 信易电热机械股份有限公司
Shini Plastics Technologies, Inc.