

Container bag discharge station

SS-TKD

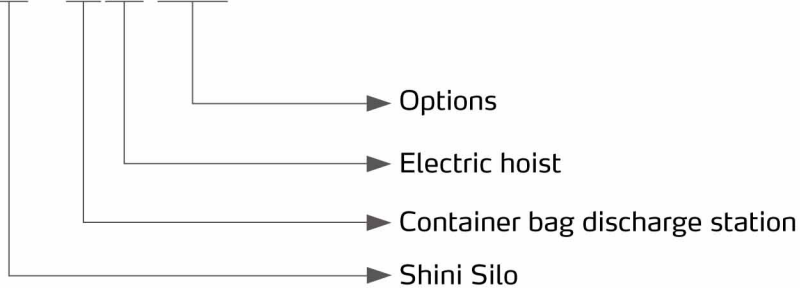


Refer carefully to this manual before operation.

SS-TK(D) Series

■ Coding Principle

SS - TK(D)-XXX



■ Options

- SS-TK/SS-TKD can work with a rotary valve and accelerating chamber that applies to convey the material to the storage container and add "RPC" at the end of the model code.
- For materials with poor fluidity, SS-TK/SS-TKD can select a bridge breaking option to prevent material bridging at the discharging port of the storage hopper and add "MB" at the end of the model code.
- The tapping function is optional for SS-TKD to help the materials with poor fluidity inside the container bag to discharge to the storage collective hopper smoothly and add "PD" at the end of the model code.

Functions & Features

An optional tapping mechanism with a tapping frame controlled by the cylinder can effectively accelerate the discharge speed of materials inside the bag and remove the dust adhering to the bag. A cylinder pressure bag is opened at the discharge port, and the enclosed discharge space can effectively prevent dust from overflowing during material discharging.

Working State

Poor liquidity and materials are easy to bridge.
Materials with a lot of dust and easy to leak the dust.

Usage Method

SS-TKD container bag discharge station is used to achieve the discharging of bulk materials or materials in bags, and the process is semi-automatic:

1. Move the container bag below the electric hoist manually, hang the rope of the container bag on the steel bracket, and lift it with the electric hoist.
2. Manually control the electric hoist's rising, declining, and travelling to move the container bag along the guide rail, drop it above the discharging area, and place the container bag on the support pallet to place the container bag in the discharge position.
3. Open the temporary storage hopper cover, manually place the container bag's discharge port under the cylinder pressing plate, press the pneumatic switch of the bag presser to lower the sealing flange, and press it tightly on the pipe end of the discharge pipe to seal the channel for dust leaking prevention.
4. Manually open the container bag to discharge the materials.
During the discharging, press the tapping button on the control box to tap the container bag on the rack vertically to speed up the discharging and empty residual materials.



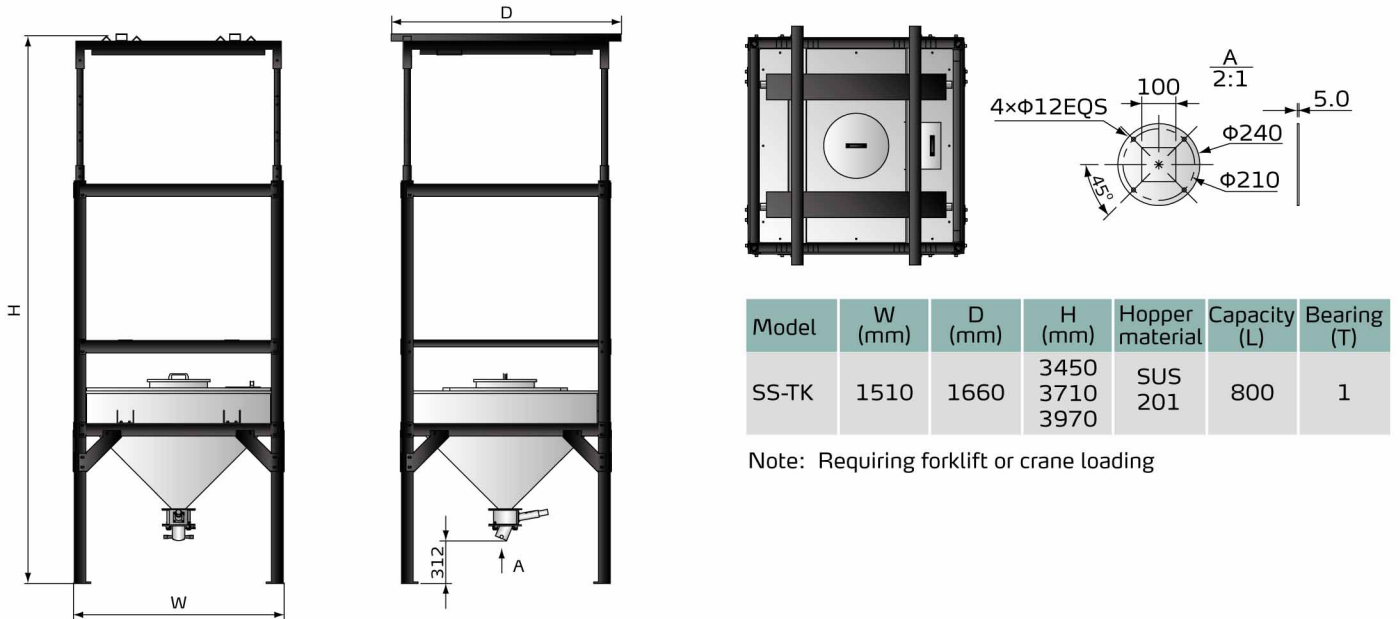
Common electric hoist

CE/ EC electric hoist

Application

The container bag discharge station is used for discharging and conveying of materials from the container bag in the plant; With simple operation, its bottom can mount the suction box for production line conveying or silo feeding

Outline Drawings(SS-TK)



3D Diagram

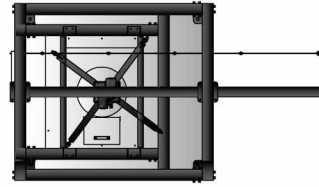
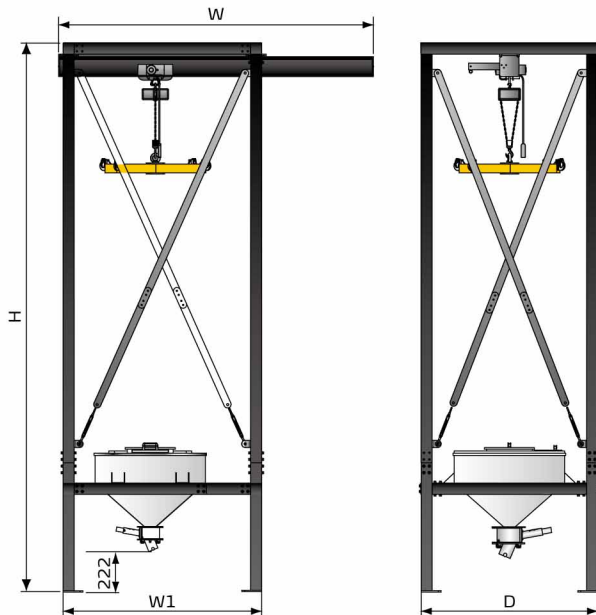


Operations



Outline Drawings

Optional electric hoist (SS-TKD)

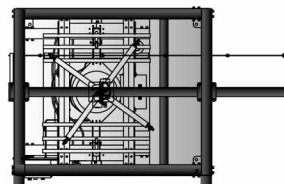
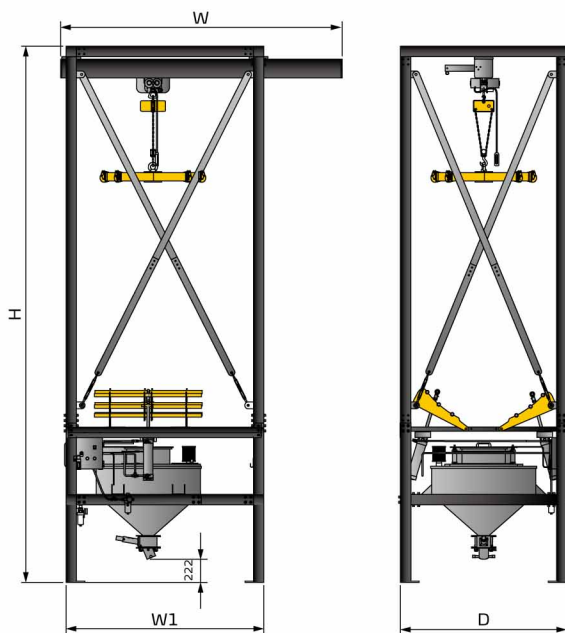


Model	W (mm)	W1 (mm)	D (mm)	H (mm)	Hopper material	Capacity (L)	Bearing (T)
SS-TKD	2706	1900	1600	4831	SUS 201	400	1

Note: 1) Standard suction box

2) Total length of container bag \leq 2350mm (including hanging rope)

Optional electric hoist + tapping (SS-TKD-PD)



Model	W (mm)	W1 (mm)	D (mm)	H (mm)	Hopper material	Capacity (L)	Bearing (T)
SS-TKD-PD	2706	1900	1600	5331	SUS 201	400	1

Note: 1) Standard suction box

2) Total length of container bag \leq 2350mm (including hanging rope)

Shini Group

Addr: No. 23, Minhe St., Shulin Dist.,
New Taipei, Taiwan

Tel: +886 2 2680 9119

Fax: +886 2 2680 9229

Email: shini@shini.com