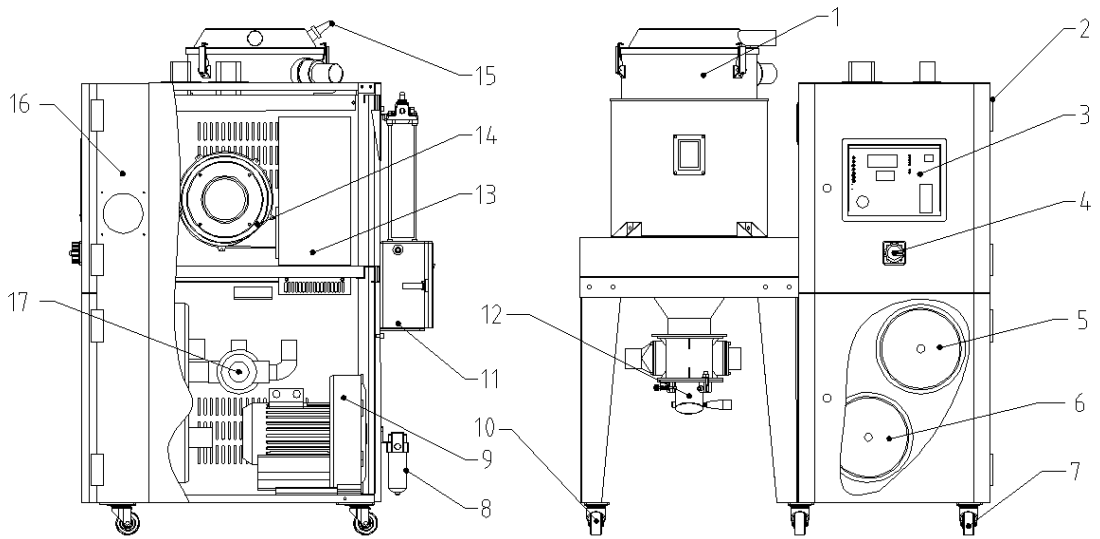


2.2.2 机器零件图



注：零件图中的阿拉伯数字详解见 2.2.3 材料明细表

图 2-3: 机器零件图

2.2.3 零件材料明细表

表 2-1: 零件材料明细表(SDL-20U~120U-HD)

序号	名称	物料编号			
		SDL-20U-HD	SDL-40U-HD	SDL-80U-HD	SDL-120U-HD
1	保温料桶	BY10002000150	BY10004000150	BY10008000150	BY10012000250
2	门绞链	YW06203100200	YW06203100200	YW06203100200	YW06203100200
3	塑胶面板	YR40000400400	YR40000400400	YR40000400400	YR40000400400
4	主电源开关	YE10200300000	YE10200300000	YE10200300000	YE10200300000
5	送料过滤器	YR50708000100	YR50708000100	YR50708000100	YR50708000100
6	回风过滤器	YR50708000100	YR50708000100	YR50708000100	YR50708000100
7	3"刹车脚轮	YW03000300000	YW03000300000	YW03000300000	YW03000300000
8	过滤调压阀*	YE30200020000	YE30200020000	YE30200020000	YE30200020000
9	送料风机*	BM30042000050	BM30042000050	BM30042000050	BM30042000050
10	3"活动脚轮	YW03000300200	YW03000300200	YW03000300200	YW03000300200
11	无热再生干燥机*	BY90106600050	BY90106600050	BY90106600050	BY90206600050
12	截料阀吸料盒	BY10203800050	BY10203800050	BY10203800050	BY10203800050
13	电热管**(400V)	BH70202200050	BH70400300350	BH70803900250	BH70123900150
	电热管**(460V)	-	-	BH70394600010	BH70394600010
14	干燥风机*(400V)	BM40001500850	BM40025300850	BM40338000850	BM40338000850
	干燥风机*(460V)	-	-	BM40338000950	BM40338000950
15	铜质消声器	YW80000400300	YW80000400300	YW80000400300	YW80000400300
16	控制箱	BH35002000050	BH35004000050	BH35008000050	BH35012000050
17	三通膜片阀	BY20001500050	BY20001500050	BY20001500050	BY20001500050

*表示可能损坏的项目；**表示较可能损坏的项目，建议备份。

请在下单采购零配件之前，先确认说明书版本号，以确保零配件物料号与实物一致。

表 2-2: 零件材料明细表(SDL-160U~450U-HD)

序号	名称	物料编号			
		SDL-160U-HD	SDL-230U-HD	SDL-300U-HD	SDL-450U-HD
1	保温料桶	BY10016000150	BY10023000050	BY10030000550	BY10045000050
2	门绞链	YW06203100200	YW06203100200	YW06203100200	YW06203100200
3	塑胶面板	YR40000400400	YR40000400400	YR40000400400	YR40000400400
4	主电源开关	YE10200300000	YE10200300000	YE10200300000	YE10200300000
5	送料过滤器	YR50203000000	YR50203000000	YR50203000000	YR50203000000
6	回风过滤器	YR50708000100	YR50708000100	YR50708000100	YR50181100000
7	3"刹车脚轮	YW03000300000	YW03000300000	YW03000300000	YW03000300000
8	过滤调压阀*	YE30200020000	YE30200020000	YE30200020000	YE30200020000
9	送料风机*	BM30042000050	BM30042000050	BM30042000050	BM30042000050
10	3"活动脚轮	YW03000300200	YW03000300200	YW03000300200	YW03000300200
11	无热再生干燥机*	BY90206600050	BY90035600050	BY90035600050	YE90112100000
12	截料阀吸料盒	BY10163800250	BY10163800250	BY10163800250	BY10163800250
13	电热管**(400V)	BH70160600250	BH70230600250	BH70301200150	BH70451200250
	电热管**(460V)	BH70064600010	BH70064600010	BH70124600010	BH70124600010
14	干燥风机*(400V)	BM40000450850	BM40000450850	BM40538000850	BM40538000850
	干燥风机*(460V)	BM40000403850	BM40000403850	BM40000503750	BM40000503750
15	铜质消声器	YW80000400300	YW80000400300	YW80000400300	YW80000400300
16	控制箱	BH35016000050	BH35023000050	BH35030000050	BH35030000050
17	三通膜片阀	BY20001500050	BY20001500050	BY20001500050	BY20001500050

*表示可能损坏的项目；**表示较可能损坏的项目，建议备份。

请在下单采购零配件之前，先确认说明书版本号，以确保零配件物料号与实物一致。

表 2-3: 零件材料明细表(SDL-600U~1200U-HD)

序号	名称	物料编号			
		SDL-600U-HD	SDL-750U-HD	SDL-900U-HD	SDL-1200U-HD
1	保温料桶	BY10016000150	-	-	-
2	门绞链	YW06203100200	-	-	-
3	塑胶面板	YR40000400400	-	-	-
4	主电源开关	YE10200300000	-	-	-
5	送料过滤器	YR50241400000	-	-	-
6	回风过滤器	YR50181100000	-	-	-
7	4"刹车脚轮	YW03000400000	-	-	-
8	过滤调压阀*	YE30200020000	-	-	-
9	送料风机*	BM30042000050	-	-	-
10	4"活动脚轮	YW03000400200	-	-	-
11	无热再生干燥机*	YE90112100000	-	-	-
12	截料阀吸料盒	BY10163800250	-	-	-
13	电热管**	BH70601800250	-	-	-
14	干燥风机*	BM30055000250	-	-	-
15	铜质消声器	YW80000400300	-	-	-
16	控制箱	BH35060000050	-	-	-
17	三通膜片阀	BY20001500050	-	-	-

*表示可能损坏的项目；**表示较可能损坏的项目，建议备份。

请在下单采购零配件之前，先确认说明书版本号，以确保零配件物料号与实物一致。