



"Budget" Vertical Mixer

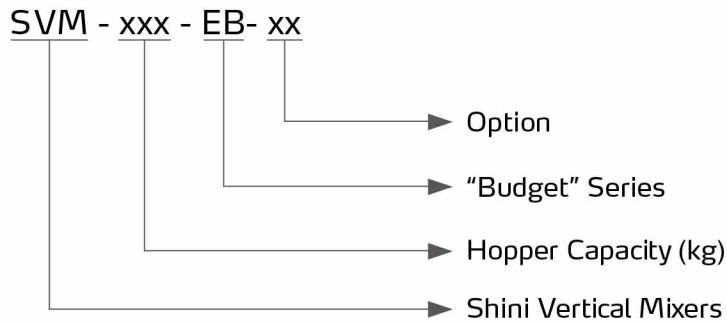
SVM-100-EB



Refer carefully to this manual before operation.

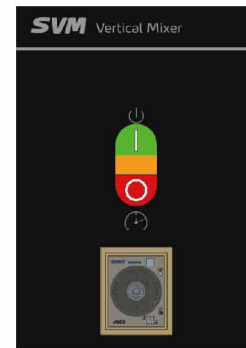
SVM-EB Series

■ Coding Principle



■ Features

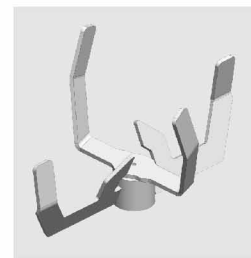
- Stainless steel hopper receiver and mixing blade ensure no material contamination and durability.
- Hopper lid has protective device. Stop machine when open the hopper lid to avoid danger caused by misoperation.
- It equips with motor overload protection to avoid motor overload and burnout.
- Auto stop device is provided, and the auto stop function can be set within 0~60min.



Control Panel

■ Application

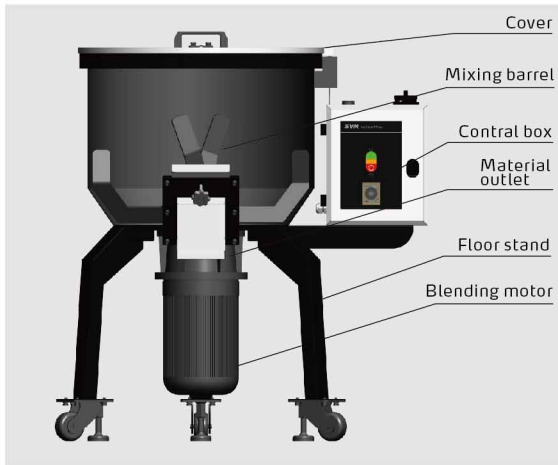
SVM-EB Sseries are mainly used for mixing plastics as raw materials, masterbatch and recycled materials. SVM-EB can not be used dealing with plastic powder and all kinds of foods, chemicals, and inflammable, explosive and volatile materials. Bulk density should be taken into account when the dimension of material is uneven or in other forms.



Mixing blade

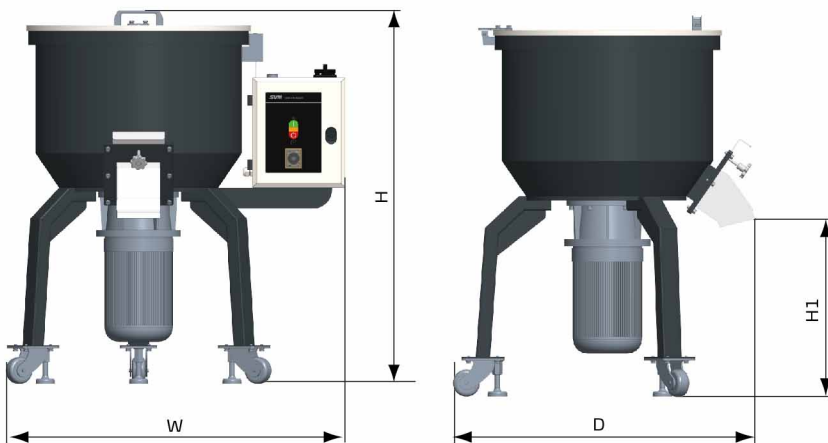
■ Working Principle

SVM-EB series are driven by motor. As the rotation of blades, the materials are mixed and then be conveyed to corresponding containers, achieving the purpose of uniform mixing.



Control box sends signal to the motor, and it starts rotating. Motor main shaft drives blades to mix different materials with the rotation, which evenly mix the material in short cycle. When timer of the control box reaches set time, the motor stops. At this time, open the discharge port of the hopper, and discharge the material. Then, the mixing is finished (During the process, if the mixing is overloaded, the buzzer will sound with alarm).

Outline Drawings



Specifications

Model	SVM-25-EB	SVM-50-EB	SVM-100-EB	SVM-150-EB	SVM-200-EB	SVM-300-EB
Motor Power (kW)	1.1	1.5	3.0	4.0	7.5	11
Max. Throughput (kg/hr)	125	250	500	750	1000	1500
Blending Barrel* (kg)	25	50	100	150	200	300
Dimensions	H (mm)	960	1065	1245	1345	1715
	H1 (mm)	475	500	557	557	726
	D (mm)	660	845	1105	1105	1177
	W (mm)	860	965	1210	1210	1300
Weight(kg)	90	120	170	250	340	385

- Notes: 1) "*" means when overloaded, the optimal mixing time is about 10 mins.
 2) Maximum noise level is 80dB (A).
 3) All output capacities from above models are based on data from bulk density 0.65Kg/L and 2-3 mm in size.
 4) Maximum throughput is 5 batches in hourly mixing, with 10mins for each batch, which is calculated by maximum capacity of the hopper.
 5) Power supply: 3Φ 400VAC 50Hz

We reserve the right to change specifications without prior notice.

Shini Group

Addr: No. 23, Minhe St., Shulin Dist.,
New Taipei, Taiwan

Tel: +886 2 2680 9119

Fax: +886 2 2680 9229

Email: shini@shini.com

Factories:

- Taiwan
- Dongguan
- Pinghu
- Ningbo
- Chongqing
- Pune

2024-05-15-04 Copyrights Reserved.

www.shini.com