



Tube Cleaning Machine

STCM-W-35

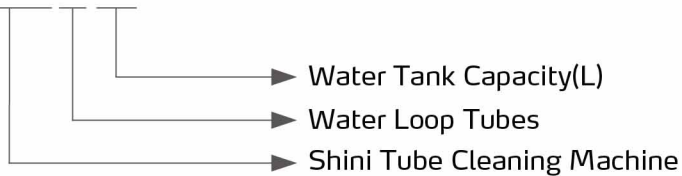


Refer carefully to this manual before operation.

STCM-W Series

■ Coding Principle

STCM-W-XX

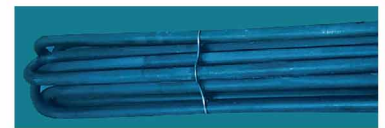


■ Features

- The vertical pump features a stable flow rate and high pressure, and the noise level is below 80 dB.
- Pipe heater can heat the water quickly to facilitate scale dissolution
- The micro-switch can monitor the water level in the tank to avoid the pump idling at a low water level.
- The flexible water pump timer without manual start/stop.
- The cleaning intensity can reach up to 70%~80%
- Capable of working with different models



Status before cleaning



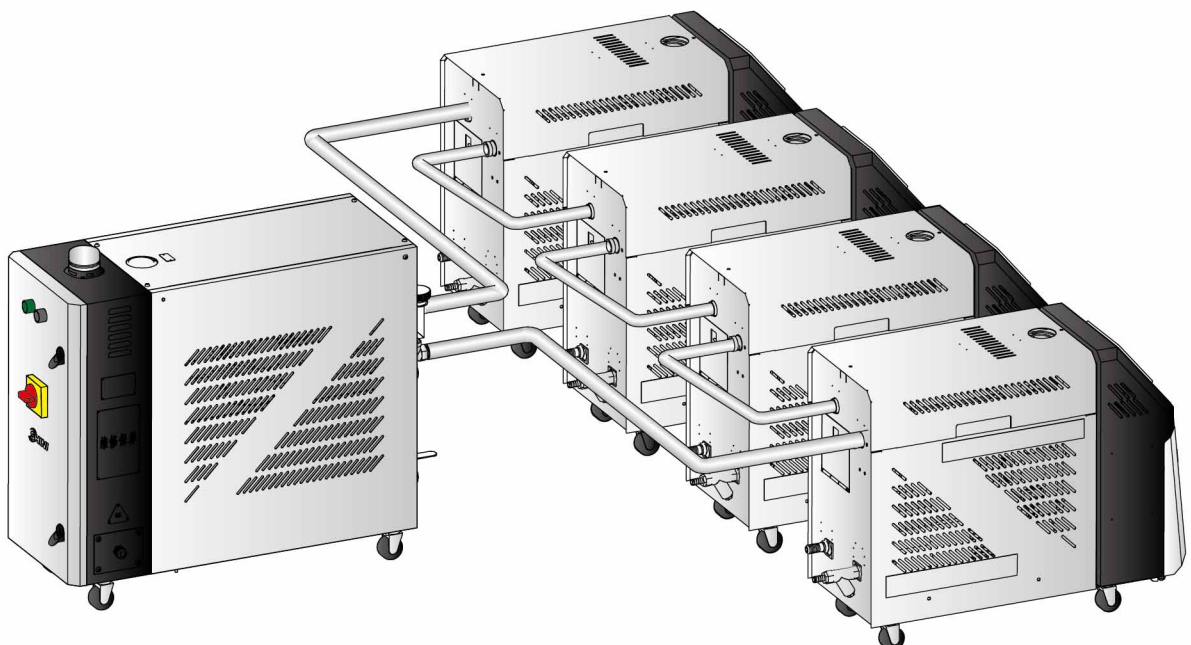
Effect after cleaning

■ Options

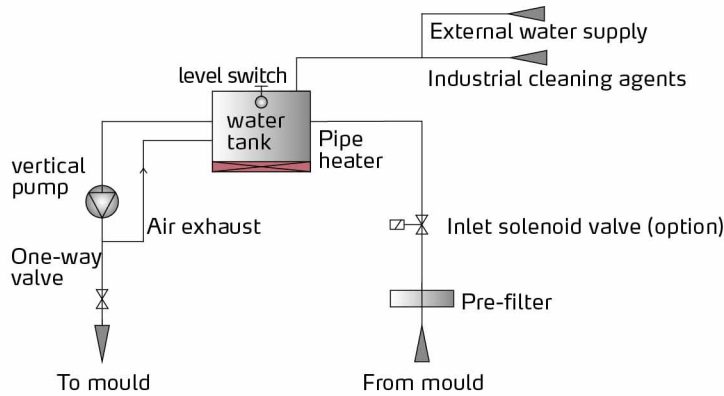
The optional inlet solenoid valve. It can immediately cut off the mould end return flow to prevent the water tank from overflowing. Add "IS" at the end of the model code.

■ Application

It is mainly suitable for mould temperature controller maintenance when the pipe heater efficiency is low and pipe scaling and blockage occur. It can clean the mould pipes and improve energy efficiency. The unit can be used in industrial mould equipment, air conditioning, and other heating and cooling equipment; it can also be widely used in home appliances, automobiles, communication, healthcare, etc. The default pump start-to-stop time is 120 minutes. (best), and the default working temperature is 50 °C (up to 60 °C).



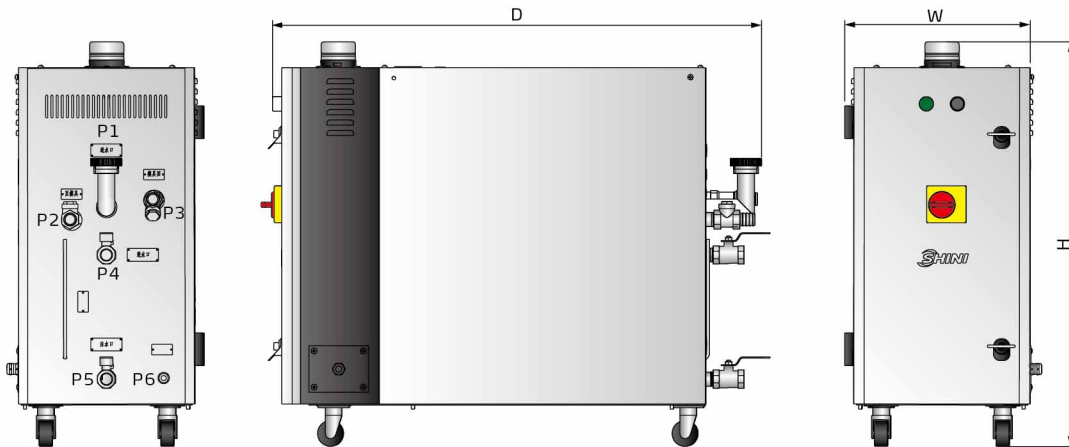
Working Principle



Filling gauge

| Model | Quantity | Cleaning agent filling amount |
|-----------|----------|-------------------------------|
| STM-607W | 1TA | 2~3L |
| STM-910W | 1TA | 2~3L |
| STM-1220W | 1TA | 2~3L |
| STM-2440W | 1TA | 3~4L |
| STM-3650W | 1TA | 4~5L |

Outline Drawings



| Model | Cleaning agent inlet (P1)(inch) | To mould water outlet (P2)(inch) | Mould return water inlet (P3)(inch) | Water tank inlet (P4)(inch) | Water tank outlet (P5)(inch) | Overflow port (P6)(inch) | Dimensions (H×W×D)(mm) | Weight (kg) |
|-----------|---------------------------------|----------------------------------|-------------------------------------|-----------------------------|------------------------------|--------------------------|------------------------|-------------|
| STCM-W-35 | Rc1 | Rc3/4 | Rc3/4 | Rc3/4 | Rc3/4 | Rc1/2 | 785×360×935 | 65 |

Specifications

| Model | Working Temperature (°C) | Heater(kW) | Pump power(kW) | Pump max. flow (L/min) | Pump max. pressure(Bar) | Water tank capacity(L) |
|-----------|--------------------------|------------|----------------|------------------------|-------------------------|------------------------|
| STCM-W-35 | 50 | 6.0 | 0.55 | 35 | 2.0 | 35 |

Notes:

- 1) Pump parameter testing conditions: power 50Hz, purified water 20°C (Max. flow rate and pressure allowable deviation: ± 10 °C);
- 2) Machine power: 3 φ, 400VAC, 50Hz, which also can be customized.
- 3) When working with the mould temperature controller, please fill the required amount of industrial cleaning agent (refer to the Filling Amount Table) and then fill the water. After that, start the unit.
- 4) As the industrial cleaning agent is corrosive, avoid long residence during use. After cleaning, rinse the piping and wipe the surface of pipe joints to minimize long-term corrosion.

We reserve the right to change specifications without prior notice.

Shini Group

Addr: No. 23, Minhe St., Shulin Dist.,
New Taipei, Taiwan

Tel: +886 2 2680 9119

Fax: +886 2 2680 9229

Email: shini@shini.com

Factories:

- Taiwan
- Dongguan
- Pinghu
- Ningbo
- Chongqing
- Pune

2024-05-15-04 Copyrights Reserved.

www.shini.com