



Roll-feed Granulator

SGF-2642E

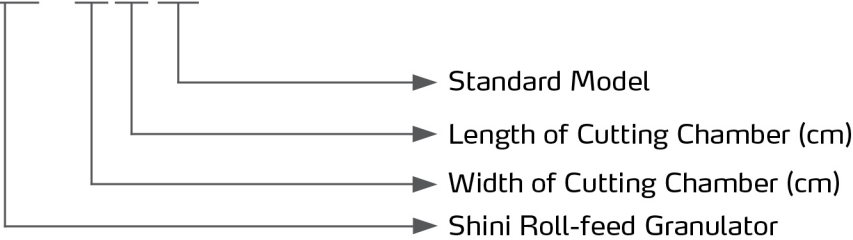


Refer carefully to this manual before operation.

SGF Series

■ Coding Principle

SGF - xx xx (E)



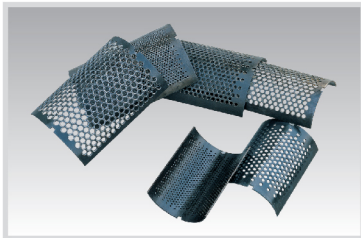
■ Features

- Applicable to process extruded waste films, highly operation safety and compact design.
- Cutters with best cutting angle and adjustable rotating blades.
- Integrated material scrolling devices into one unit can facilitate the granulating work by easily scrolling the material into cutting chamber. Equipped with anti-cut protective device to prevent materials be rolled cut.
- Motor overload protective function.
- React with assembly line or operated by specialized person.
- Attractive and compact design save more space.
- Width adjustable feeding inlet and thickness adjustor designs facilitate the different film granulating applications.
- Scrolling motor has a frequency converter to satisfy different film cutting capacity.
- Cutting chamber is equipped with a cooling water loop to effectively lower the temp. of the chamber so that improve working efficiency and avoid granule powder from melting up.
- Equipped with cyclone dust collector, which can effectively separate regrinds and air and is also convenient for regrinds collection.
- SGF-26E'S adjustable range of feeding speed is 5.7~19m/min.
- SGF-26'S adjustable range of feeding speed is 15~50m/min.
- Thickness range of material 0.5~4mm.

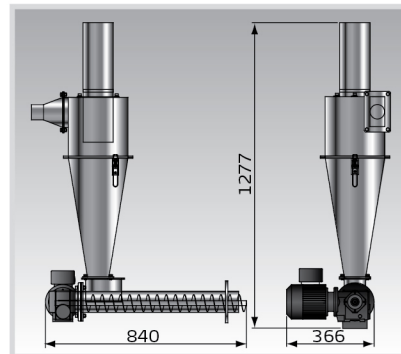


Material Scrolling

■ Options



Special screens with different diameters (Φ 10mm/0.39"、 Φ 12mm/0.47" are optional. Add "SS + screen diameter" at the end of the model code, e.g.: Φ 6mm , add "SS06".

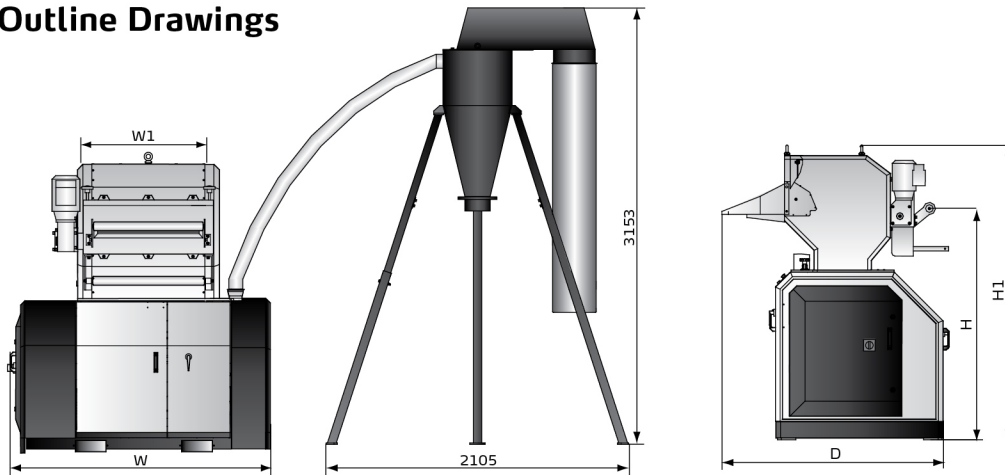


It can option with screw conveying device which is convenient for granulated scraps entering the extruder and instant recycling (only suitable for SGF-E series). Add "AF" at the end of the model code.

■ Application

SGF-26 series are applicable to granulating and recycling plastic films. After pressed toughly by a material scroll, films are sent to cutting chamber to be cut into granules to reuse.

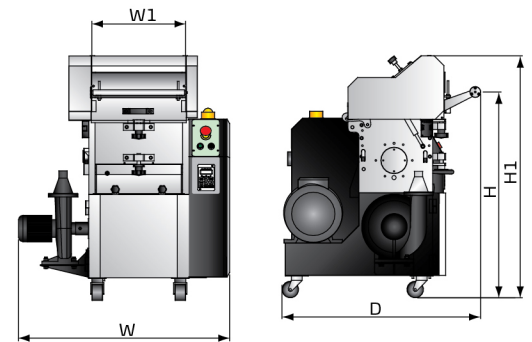
Outline Drawings



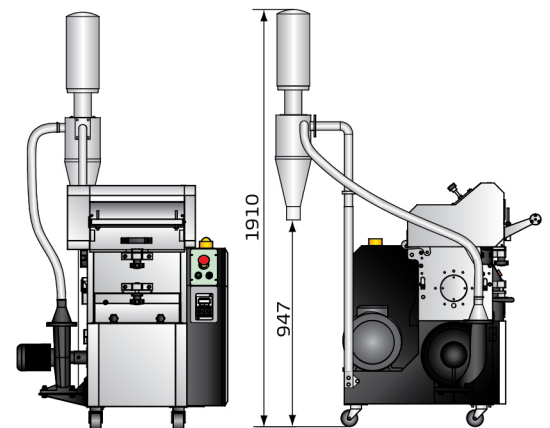
SGF-26

Specifications

| Model | | SGF-2628E | SGF-2642E | SGF-2660 | SGF-2690 | |
|---|----|-------------------------|-------------------------|-------------|-------------|------|
| Motor Power (kW, 50/60Hz) | | 4.0 / 4.6 | 5.5 / 6.3 | 11 / 12.6 | 15 / 17.3 | |
| Rotating Speed (rpm, 50/60Hz) | | 300 / 360 | 300 / 360 | 410 / 492 | 410 / 492 | |
| Scrolling Power (kW, 50/60Hz) | | 0.4 / 0.45 | 0.4 / 0.45 | 0.75 / 0.83 | 0.75 / 0.83 | |
| Conveying Blower Power (kW, 50/60Hz) | | 0.55(1.1)/ 0.66(1.3) | 0.55(1.1)/ 0.66(1.3) | 2.2 / 2.44 | 2.2 / 2.6 | |
| Scrolling Speed (rpm) | | * | * | * | * | |
| Material of Blades | | SKD11 | SKD11 | SKD11 | SKD11 | |
| Number of Fixed Blades | | 2 | 2 | 3 × 2 | 3 × 2 | |
| Number of Rotating Blades | | 3 | 3 | 3 × 2 | 3 × 2 | |
| Max. Throughput Capacity (kg/hr, 50/60Hz) | | 30 | 45 | 200 | 300 | |
| Noise Level dB(A) | | 88 - 93 | 88 - 93 | 90 - 95 | 90 - 95 | |
| Cooling Loop | | √ | √ | √ | √ | |
| Dia. of Screen Mesh | | Φ8mm | Φ8mm | Φ10mm | Φ10mm | |
| Special Screens (mm) | | ○ | ○ | ○ | ○ | |
| Dimensions | H | mm | 950 | 950 | 1515 | 1515 |
| | | inch | 37.4 | 37.4 | 59.6 | 59.6 |
| | H1 | mm | 1115 | 1115 | 1932 | 1932 |
| | | inch | 43.9 | 43.9 | 76 | 76 |
| | W | mm | 845 | 1105 | 1555 | 1930 |
| | | inch | 33.3 | 43.5 | 61.2 | 76 |
| | W1 | mm | 280 | 420 | 600 | 900 |
| | | inch | 11 | 16.5 | 23.6 | 35.4 |
| | D | mm | 855 | 855 | 1410 | 1410 |
| | | inch | 33.7 | 33.7 | 55.5 | 55.5 |
| Weight | kg | 316 | 388 | - | 1570 | |
| | lb | 697 | 855 | - | 3461 | |



SGF-26E



Equipped with cyclone dust collector

- Notes: 1) "√" stands for standard, "○" stands for options.
 2) "*" stands for different speed according to the thickness of the film.
 3) SKD11 is material code number of Japanese JIS standard.
 4) Max. capacity of the machine is subject to diameter of screen hole and composition of the material. The listed maximum output is tested continually with PET films, with 1mm/0.04" thickness size.
 5) Noise level will vary with different materials and motor types.
 6) For avoiding plastic to adhibit the blade, all materials should be crushed at normal temperature.
 7) The conveying blower power (1.1/1.3) is the power when machine is optional with screw feeding device
 8) Power supply: 3 Φ, 230 / 400 / 460 / 575VAC, 50 / 60Hz.

Shini Group

Addr: No. 23, Minhe St., Shulin Dist.,
New Taipei, Taiwan

Tel: +886 2 2680 9119

Fax: +886 2 2680 9229

Email: shini@shini.com

Factories:

- Taiwan
- Dongguan
- Pinghu
- Ningbo
- Chongqing
- Pune

2024-10-15-04 Copyrights Reserved.

www.shini.com