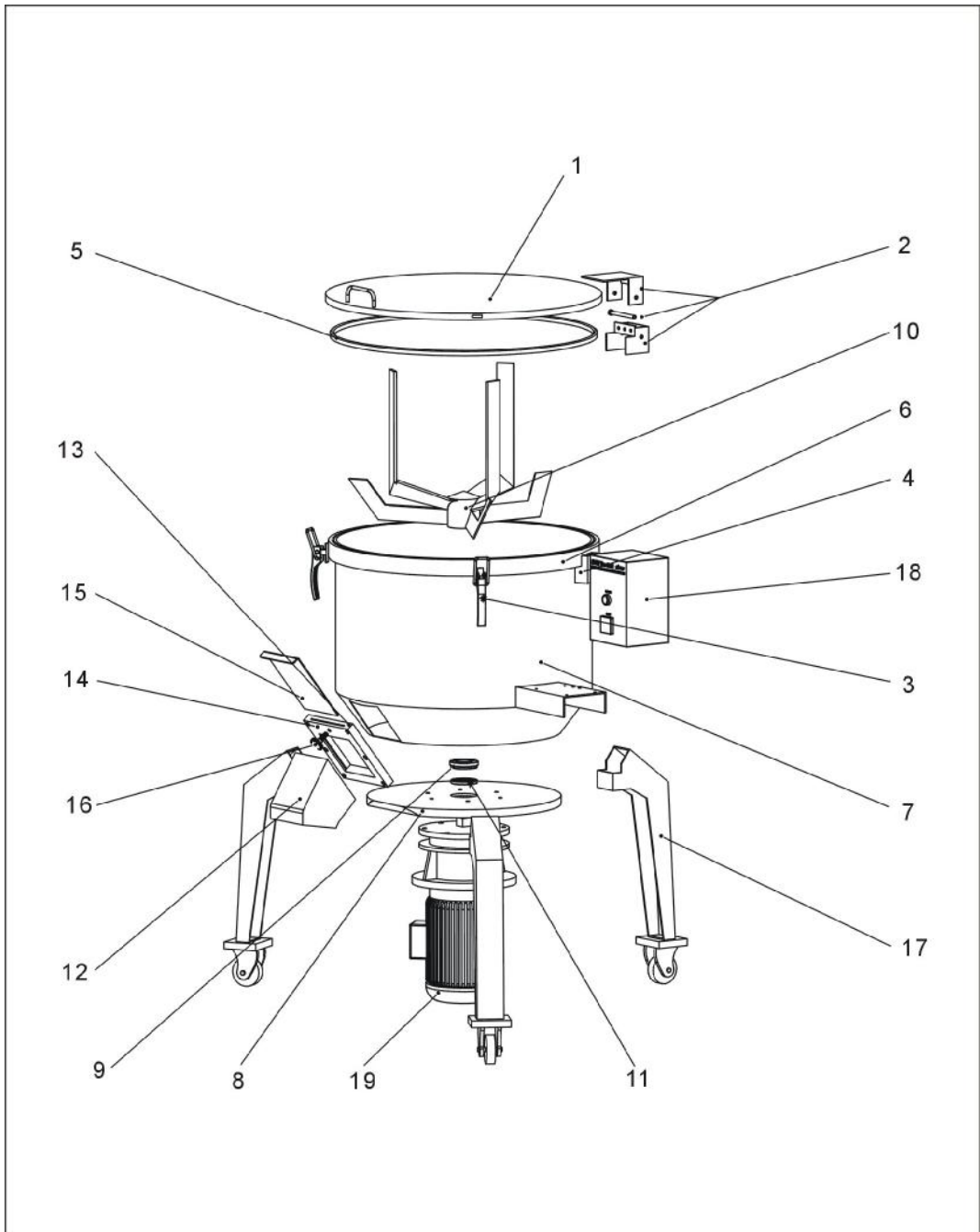


## 2.2 Drawing and Parts List

### 2.2.1 Assembly Drawing (SVM-25/50/150/200)



Remarks: Please refer to material List 2.2.2 for specific explanation of the Arabic numbers in parts drawing.

Picture 2-3: Assembly Drawing (SVM-25/50/150/200)

## 2.2.2 Parts List

Table 2-1: Parts List

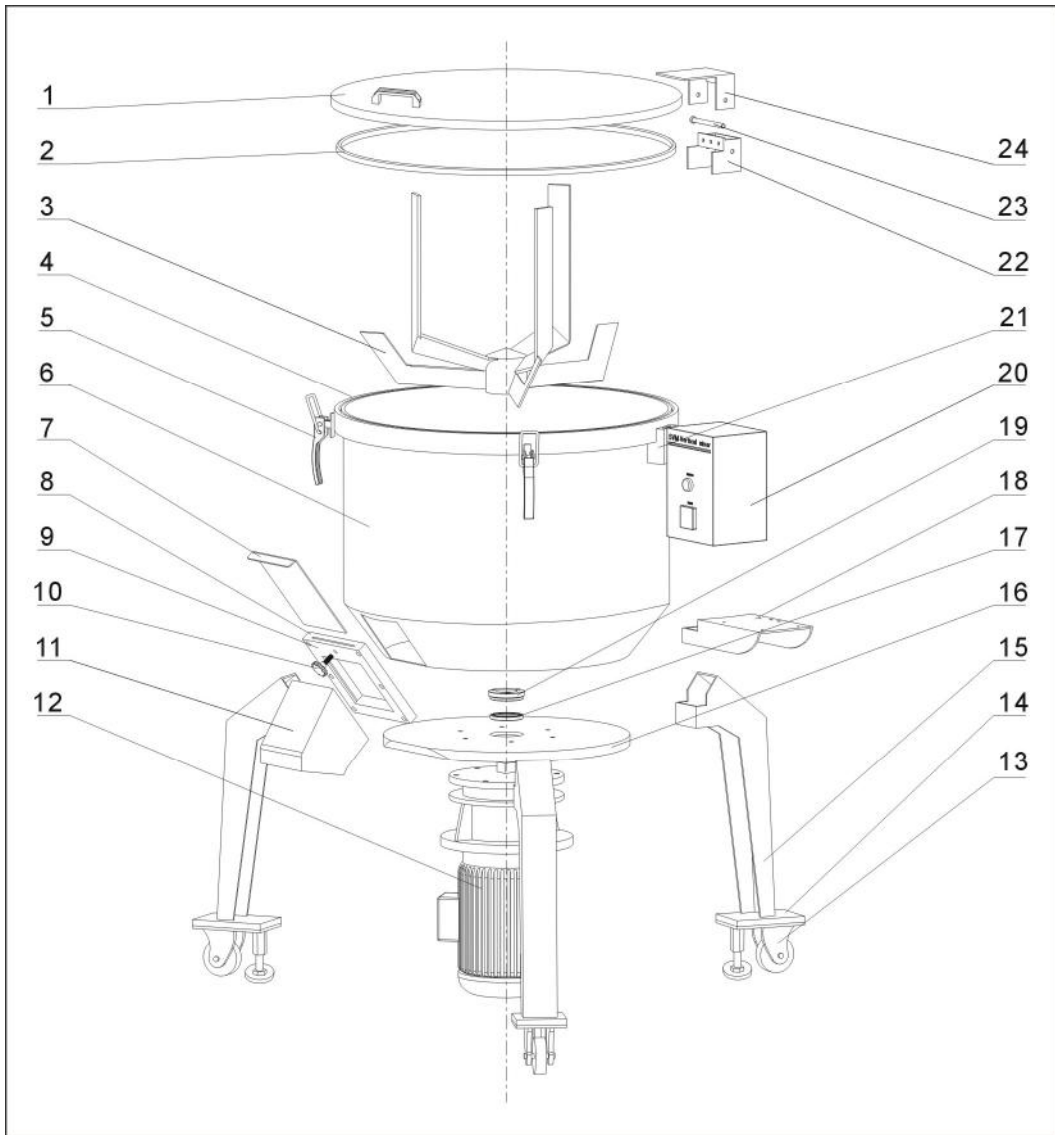
No.	Name	Part No.			
		SVM-25	SVM-50	SVM-150	SVM-200
1	Lid	BL33025002021	BL33005040720	BL33015040720	BL33203040520
2	Lid connection base	BL33025000121 BL33025000221	BL33501040320 BL33501040120	BL33153040320 BL33153040120-	-
3	Knob combination	YW00121000000	YW00121000000	YW00121000000	YW00121000000
4	Limit switch	YE14450000000	YE14450000000	YE14450000000	YE14450000000
5	Washer	-	-	-	-
6	Aluminum base ring	BW21002500310	BW21005000310	BW21015000310	BW21020000310
7	Barrel	BL33025001120	BL33005040120	BL33015040120	BL33020040120
8	Barrel base board	BL33025001121	-	-	-
9	Screw	BL33025000000	BW90005000000	BW90015030000	BW90020000000
10	Mixer assembly	BL31025000020	BW33005000320	BW33015000320	BW33020000320-
11	Oil seal	YR20304707000	-	-	-
12	Funnel base combination	BL33250000320	BL33005040320	BL33015040220	BL33203040220
13	Funnel base bottom plate	BL33250000120	-	-	-
14	Funnel base panel	BL33250000420	-	-	-
15	Material discharge gate	BL33225000020	BL33005041320	BL33015041320	BL33203041120
16	Screw	BH10105600010	BH10105600010	BH10105600010	BH10105600010
17	Castor combination	BL33025000020	BL33005040620	BL33015040620	BL33020040320
18	Electrical control box	BL33002540120	BL33002540120	BL33002540120	BL33002540120
19	Gearmotor cover	YM50112100100	YM50153100000	YM50451700000	YM50556100000

\* means possible broken parts.

\*\* means easy broken part. and spare backup is suggested.

Please confirm the version of manual before placing the purchase order to guarantee that the item number of the spare part is in accordance with the real object.

### 2.2.3 Assembly Drawing (SVM-100)



Remarks: Please refer to material List 2.2.4 for specific explanation of the Arabic numbers in parts drawing.

Picture 2-3: Assembly Drawing (SVM-100)

## 2.2.4 Parts List

Table 2-2: Parts List

No.	Name	Part No.
		SVM-100
1	Lid combination	BL33110006020
2	Lid rubber ring	YR10005000200
3	Blending motor	BL33100011020
4	Aluminum base ring	BW21010000310
5	Tension handle	YW00251000000
6	Barrel	BL33010040120
7	Material discharge gate	BL33010041320
8	Funnel base bottom plate	BH33232200110
9	Funnel base panel	BH33232200010
10	Star combinationm10	BH10105600010
11	Material outlet	BL33100002020
12	Gearmotorld3-4-17	YM50341700000
13	Castor	YW03000301000
14	Castor connection bottom plate	BL33100011021
15	Castor	BL33100010021
16	Barrel base board	BL33110000120
17	Oil seal	YR20456512000
18	Electrical control box base	BL33120006020
19	Screw	BL33100000000
20	Electrical control box	BL33100009020
21	Magnetic proximity switch fixation base	-
22	Lid connection base lower	BL33110008020
23	Shaft pin	BL33100000042
24	Lid connection base top	BL33110007020

\* means possible broken parts.

\*\* means easy broken part. and spare backup is suggested.

Please confirm the version of manual before placing the purchase order to guarantee that the item number of the spare part is in accordance with the real object.