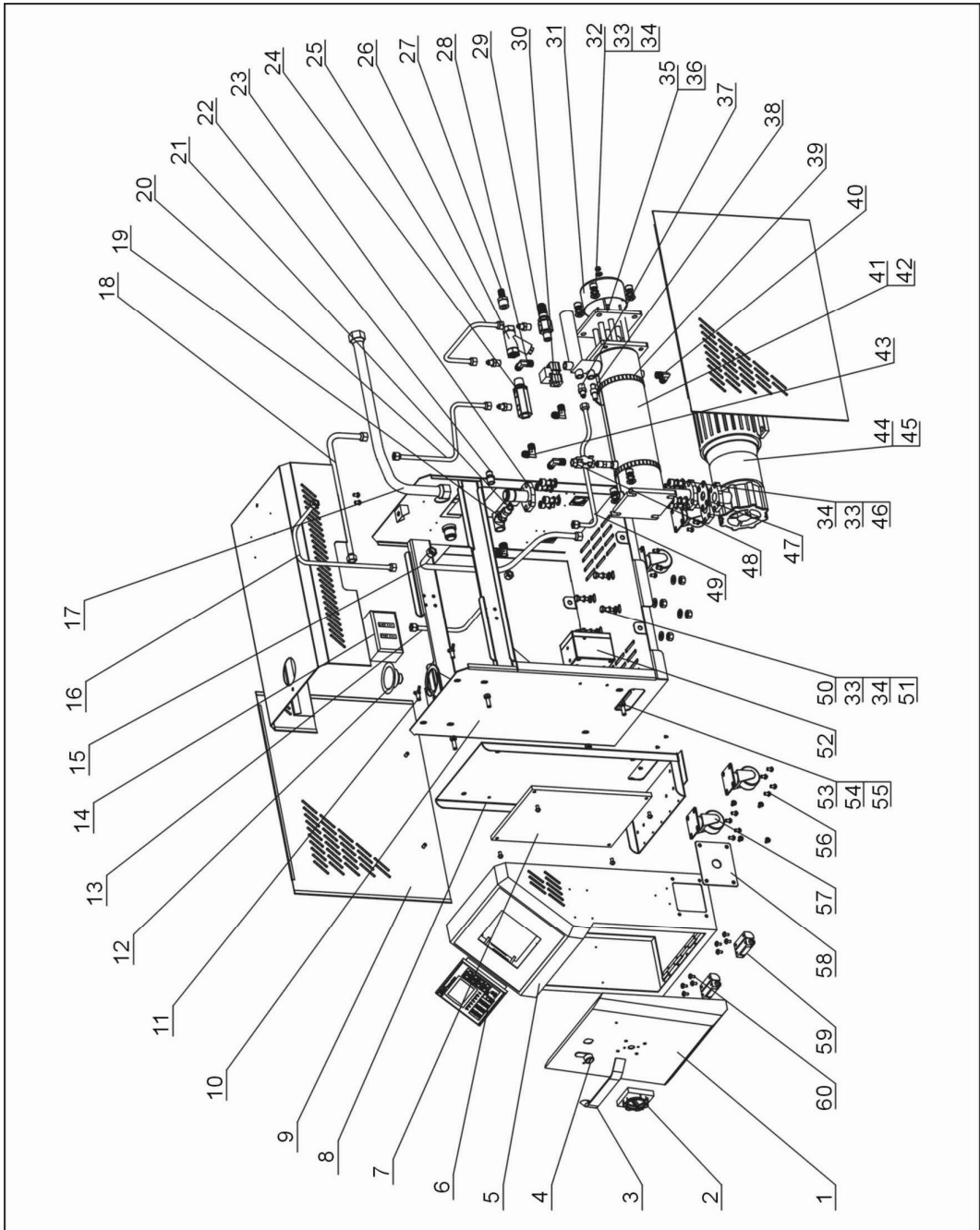


2.3 Assembly Drawing

2.3.1 Assembly Drawing (STM-607/910MW)



Remarks: Please refer to material list 2.2.2 for specific explanation of the Arabic numbers in parts drawing.

Picture 2-2: Assembly Drawing (STM-607/910MW)

2.3.2 Parts List (STM-607/910MW)

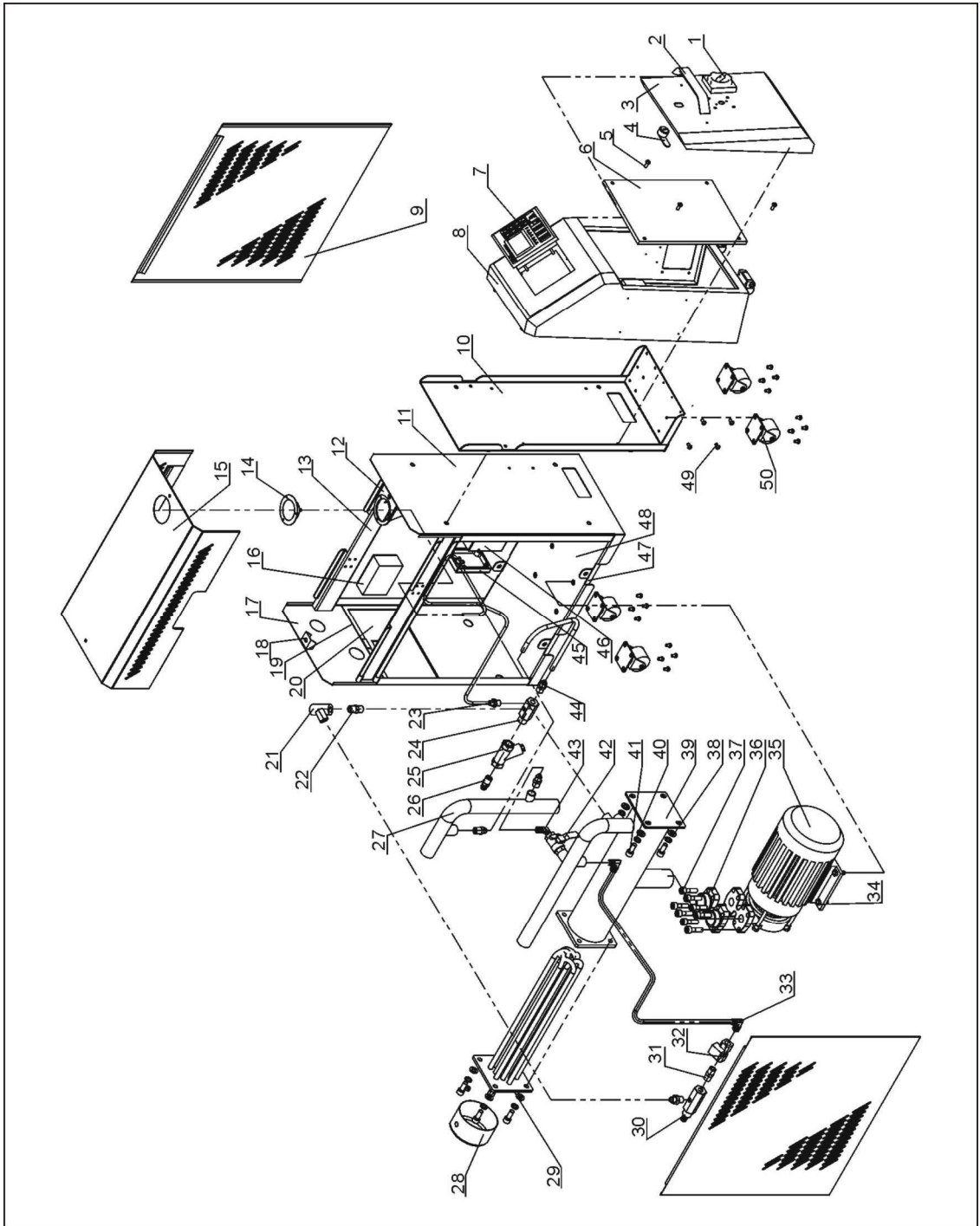
Table 2-1: Parts List (STM-607/910MW)

No.	Name	Part No.	No.	Name	Part No.
1	Door plank	-	28	Copper Teflon pipe coupling 1/4"PT×3/8"H(L)	BH12010400510
2	Main power switch	YE10323200000	29	Copper connector 3	-
3	Aluminum door handle	YW20660900100	30	Solenoid valve	YE32331000000
4	Long door lock	YW00000000100	31	Heater cover	BL80091000120
5	Electrical control box	-	32	Socket head cap screw M10×25	YW61102500000
6	HANYOUNG controller	YE81100010000	33	Spring washer 10	YW65010000000
7	Base plate of electric control box	-	34	Flat washer 10	YW66102000000
8	Control box rear plate	-	35	Heater set STM-910W(9kW)	BH70091000250
9	Side plate	-	36	Heater set STM-607W(6kW)	BH70060700250
10	Rack	-	37	Teflon pipe coupling 1/4PT×1/4H(L)	BH12010400410
11	Butterfly type screw M8×15	YW69081500000	38	Thermocouple	BE90341500050
12	Pressure gauge (0~1.0mpa)	YW85001000100	39	Stainless steel tube bundle 5 1/2"(118~140mm)	YW02501200000
13	High pressure tube	-	40	Teflon pipe coupling 1/4PT×1/4H(L)	YW04010400400
14	High and low pressure switch HLP830HME	YE90832500000	41	Heating tank	-
15	Teflon pipe+ coupling 3/8" ×50cm	YW59385000000	42	Heating tank	-
16	Heat water by-pass valve	-	43	Copper Teflon pipe coupling 3/8PT×3/8H(L)	YW04030800300
17	Return water pipe	-	44	Magnetiv pump MP-100	BM20123400000
18	Water refilling tube	-	45	Magnetic pump MP-55	BM20005500050
19	Stainless steel T joint 3/8"	YW82030800000	46	Socket head cap screw M10×30	YW61103000100
20	Low pressure tube	-	47	Pump flange gasket	YR10150000000
21	Copper nipple 3/8"	BH12030800110	48	Copper globe valve 3/8"(150℃)	YW50030800000
22	Copper Teflon pipe coupling 3/8"PT×3/8"H	BH12030800610	49	Pressure gauge tube	-
23	Pump inlet connector	-	50	Hexagon bolt M10×30	YW60103000100
24	Copper connector 1	-	51	Hexagon screw M10	YW64001000100
25	Cold water by-pass tube	-	52	EGO	BH90115000050
26	Y type strainer 1/2"	YW57010200000	53	Socket head cap screw M8×20	YW61082000200
27	Copper insert M13×1/2PT	BH12131200010	54	Spring washer 8	YW65008000100

No.	Name	Part No.	No.	Name	Part No.
55	Flat washer 8	YW66082200100	58	Line jig fixed plate	-
56	Flat head screw M6×15	YW63061700000	59	Big hinge CL219-1	YW06219100000
57	Caster 2"	YW03000200000	60	Thick head screw M5×10	YW63051000000

* means possible broken parts. ** means easy broken part. and spare backup is suggested.
Please confirm the version of manual before placing the purchase order to guarantee that the item number of the spare part is in accordance with the real object.

2.3.3 Assembly Drawing (STM-1220MW)



Remarks: Please refer to material list 2.2.6 for specific explanation of the Arabic numbers in parts drawing.

Picture 2-3: Assembly Drawing (STM-1220MW)

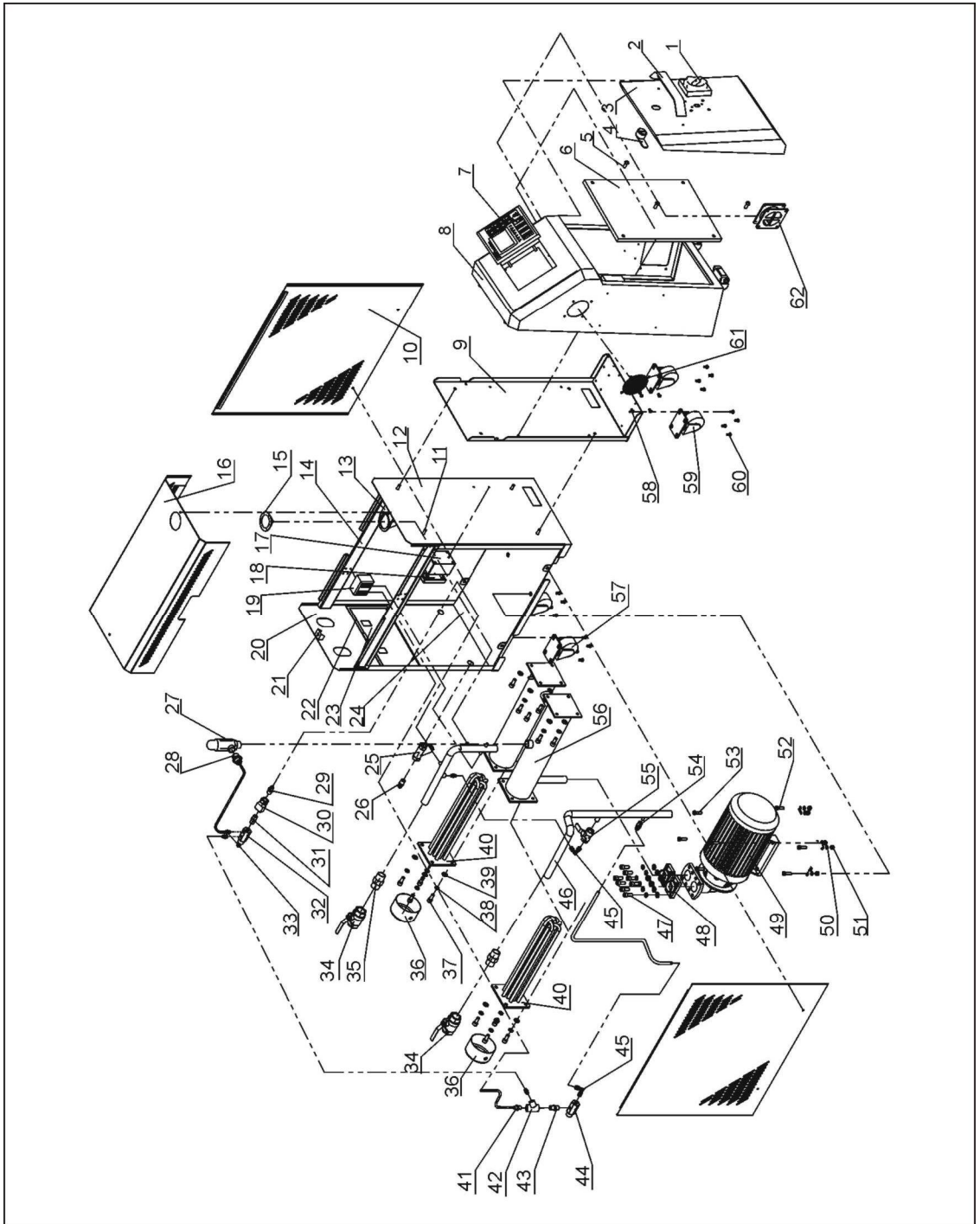
2.3.4 Parts List (STM-1220MW)

Table 2-2: Parts List (STM-1220MW)

No.	Name	Part No.	No.	Name	Part No.
1	Mian power switch	YE10323200000	26	Inserted core 3/8" ×M13	BH12030801110
2	Door plate handle	YW20660900100	27	Return pipe	-
3	Door plate	-	28	Heater casing	BL80091000120
4	Door lock	YW00000000100	29	Heater	BH70122000150
5	Flat head screw M6×15	YW62061500000	30	Copper contactor 3	BH12060703710
6	Base plate of the electrical cabinet	-	31	Pipe coupler 3/8"	BH12030800110
7	HANYOUNG controller	YE81100010000	32	Solenoid valve	YE32331000000
8	Electrical cabinet	-	33	Teflon pipe contactor 3/8PT×3/8H(L type)	YW04030800300
9	Side plate	-	34	Hex head screw M10×25	YW60102000100
10	Back plate of electrical cabinet	-	35	Pump MP-100	BM20123400000
11	Clapboard	-	36	Pump flange	-
12	Pressure gauge mounting plate	-	37	Socket head cap screw M10×25	YW61102500000
13	Pressure gauge	YW85001000100	38	Flat washer D10	YW66102500000
14	Beam	-	39	Heater	-
15	Cover plate	-	40	Spring washer D10	YW65010000000
16	High and low pressure switch	YE90832500000	41	Socket head cap screw M10×30	YW61103000100
17	Back plate	-	42	Globe valve 1/2"	YW50010200100
18	Tip palte	-	43	Copper Teflon contactor 1/2H×1/2PT(L type)	YW04121200000
19	Supporting plate of the cover plate on the back plate	-	44	Teflon pipe contactor 1/2PT×1/2H	BH12010200210
20	Cover plate on the back plate	-	45	EGO 1	YR40000400300
21	T joint 1/4"	YW52010400000	46	EGO 2	YR40000400300
22	Pipe coupler 1/4"	BH12010400110	47	Stiffener 1	-
23	Teflon pipe contactor 1/4PT×1/4H	BH12010400410	48	Base plate	-
24	Copper contactor 9	-	49	Falt head screw M6×10	YW62061000000
25	Y type filter 1/2"	YW57010200000	50	Caster 2"	YW03000200000

* means possible broken parts. ** means easy broken part. and spare backup is suggested. Please confirm the version of manual before placing the purchase order to guarantee that the item number of the spare part is in accordance with the real object.

2.3.5 Assembly Drawing (STM-2440MW)



Remarks: Please refer to material list 2.2.8 for specific explanation of the Arabic numbers in parts drawing.

Picture 2-4: Assembly Drawing (STM-2440MW)

2.3.6 Parts List (STM-2440MW)

Table 2-4: Parts List (STM-2440MW)

No.	Name	Part No.	No.	Name	Part No.
1	Main power switch	YE10323200000	27	Safety valve 7~10kg	YW05100000000
2	Door plate handle	YW20660900100	28	Copper outside the fluorine dragon teeth connectors 1/2PT×3/8H	BH12030800210
3	Door plate	-	29	Teflon pipe contactor 3/8PT×3/8H	BH12030800610
4	Door lock	YW00000000100	30	Solenoid valve 3/8"	YE32215400000
5	Flat head screw M6×15	YW62061500000	31	Pipe coupler 3/8"	BH12030800110
6	Base plate of electrical cabinet	-	32	Copper contactor 2	-
7	HANYOUNG controller	YE81100010000	33	Copper outside the fluorine dragon teeth connectors 1/4PT×3/8H	BH12010400510
8	Electrical cabinet	-	34	Stainless steel globe valve 1"	YW50010000200
9	Back plate of the electrical cabinet	-	35	Stainless steel inner joint 1"	YW55001000000
10	Side plate	-	36	Heater casing	BL80091000120
11	Socket head cap screw M8×15	YW60081600100	37	Socket head cap screw M10×25	YW61102500000
12	Clapboard	-	38	Spring washer D10	YW65010000000
13	Mouning palte of pressure switch	-	39	Flat washer D10	YW66102500000
14	Beam	-	40	Heater	BH70244000150
15	Pressure gauge	YW85001000100	41	Teflon pipe contactor 1/4PT×1/4H	BH12010400410
16	Cover plate	-	42	T connection 1/4"	YW52010400000
17	EGO base	YR40000400300	43	Pipe coupler 1/4"	BH12010400110
18	EGO	YR40000400300	44	Copper contactor 9	-
19	High and low pressure switch	YE90083000100	45	Teflon contactor 1/2PT×1/2H(L type)	YW04121230000
20	Back plate	-	46	Return water pipe	-
21	Tip palte	-	47	Socket head cap screw M10×25	YW61103500000
22	Supporting plate of the back plate	-	48	Pump flange	-
23	Cover palte of the back palte	-	49	Pump MP-280	BM20283300050
24	Base palte	-	50	Flat washer D8	YW66081600000
25	Filter valve	YW57010200000	51	Hex nut M8	YW64080600000
26	Copper inserted core	BH12030801110	52	Hex head screw M8×20	YW60082000200

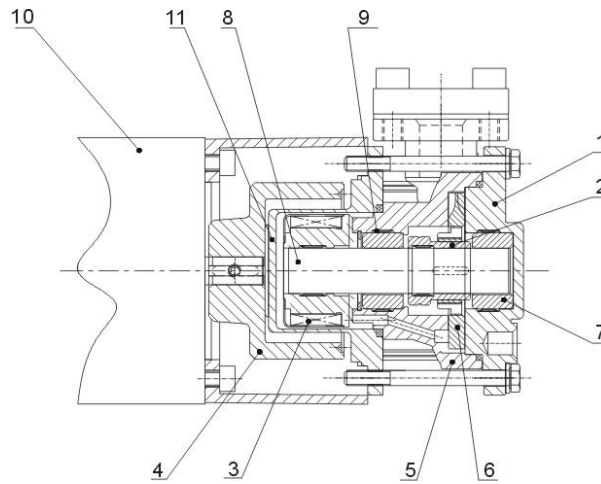
No.	Name	Part No.	No.	Name	Part No.
53	Hex head screw M8×30	YW60083000100	58	Flat head screw M6×10	YW63061000000
54	Teflon pipe contactor 1/2PT×1/2H	BH12010200210	59	Movable caster 3"	YW03000300200
55	Copper globe valve 1/2"	YW50010200100	60	Hex head screw M6×10	YW60061000000
56	Heating tank	-	61	Fan shell	YM60922500100
57	Bracking caster 3"	YW03000300000	62	Fan	YM60922500100

* means possible broken parts.

** means easy broken part. and spare backup is suggested.

Please confirm the version of manual before placing the purchase order to guarantee that the item number of the spare part is in accordance with the real object.

2.3.7 Pump



Part Name:

- | | | |
|------------------------------|------------------------|------------------------------|
| 1. Pump Cover | 2. Shaft Sleeve | 3. Internal Magnetic Coupler |
| 4. External Magnetic Coupler | 5. Pump Body | |
| 6. Impeller | 7. Carborundum Bearing | 8. Ceramic Rod |
| 9. Fastener | 10. Motor | 11. Magnetic Cover |

Picture 2-5: Pump