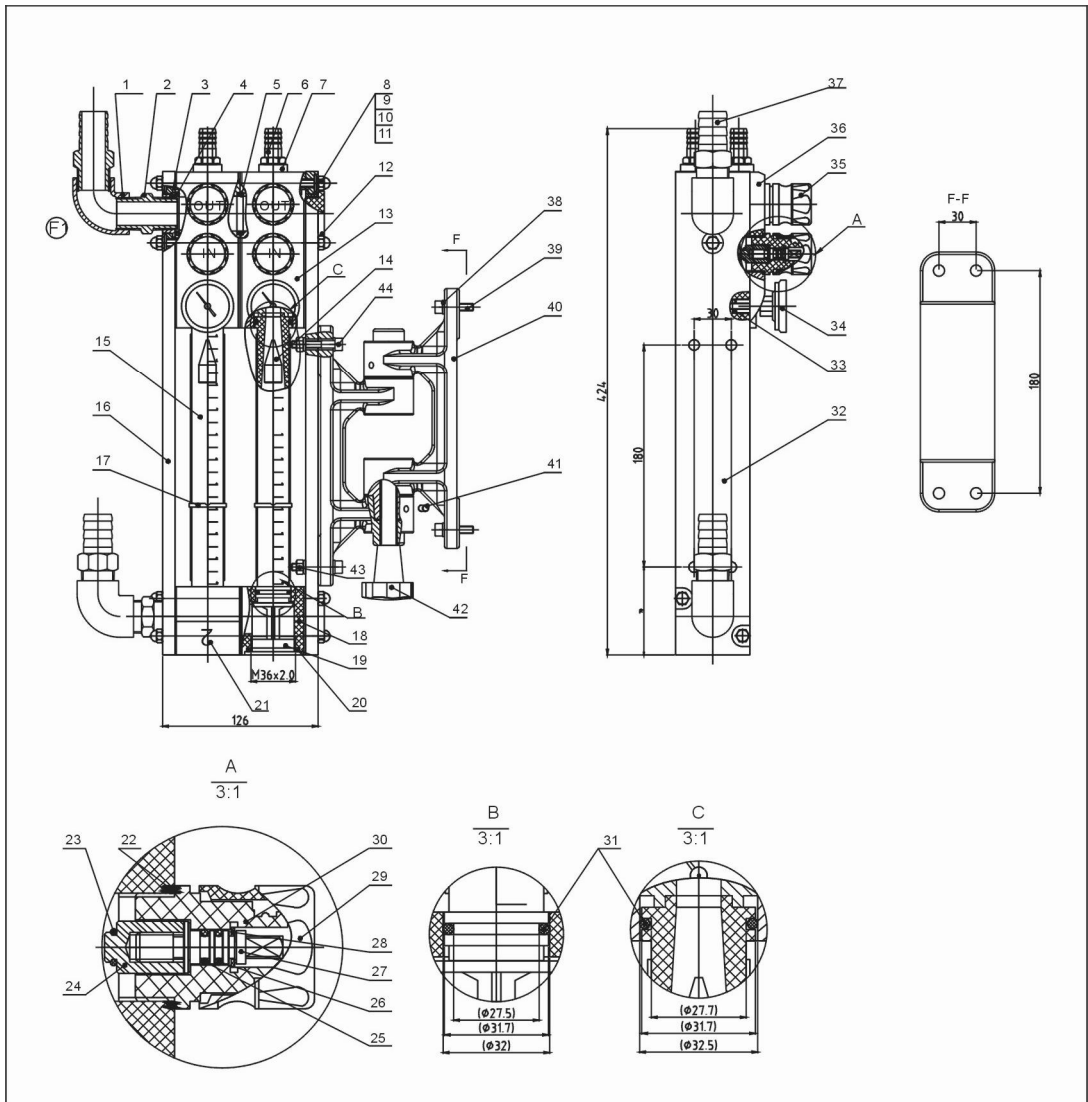


2.2 Assembly Drawing

2.2.1 Assembly Drawing (SFR-200)



Technical requirements:

1. No mixed use of various O type rings is allowed in assembling.
2. Face direction is that the pointed end faces valve body.
3. Zero installation graduation of transparent collet is on valve body.
4. Test water and find out no water leakage in every sealing place after assembling in accordance with regulations.
5. Adjust knob, flexible and reliable.

Remarks: please refer to material list 2.2.2 for specific explanation of the Arabic numbers in parts drawing.

Picture 2-2: Assembly Drawing (SFR-200)

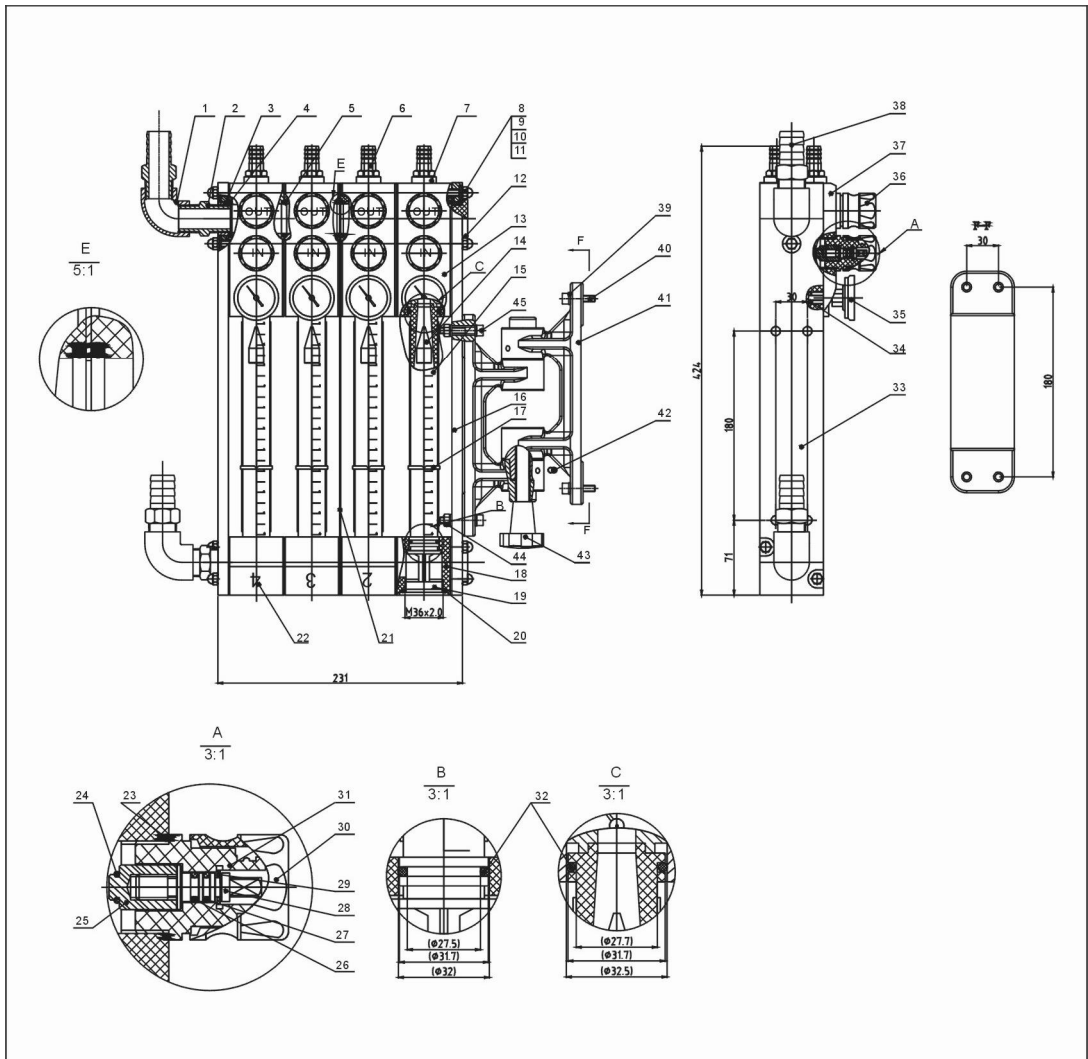
2.2.2 Parts List (SFR-200)

Table 2-1: Parts List (SFR-200)

No.	Name	Part No.	No.	Name	Part No.
1	3 / 4" Stainless steel elbow (selective matching)	YW53030400000	25	O type seal ring 7	YR20052500000
2	3 / 4" Copper connection with external teeth at the two ends (Selective matching)	BH12030400010	26	O type seal ring 4	YR20062000000
3	Fixing ring of plinth	BH12040000710	27	Regulator inner lever	YW05040000300
4	O type seal ring 1	YR20283500000	28	Split washer	YW66000600000
5	Rectangular seal ring	YR20401000000	29	Regulator screw cap (IN)	YR40000000700
6	3 / 8" Pipe's connection	YW04135300000	30	Regulator fixing seat	YR40000000500
7	Valve body attachment's internal race	BH12400001210	31	O type seal ring 2	YR20273000000
8	Full double-screw bolt	BH10624000010	32	Right fixing plate	BW20040000410
9	Flap gasket	YW66061800000	33	4" Single-pore rubber plug	YR30000400100
10	Spring washer	YW65006000100	34	Bimetallic thermometer	YE90101100000
11	Acorn nut	YW64006000100	35	Regulator screw cap (OUT)	YR40000000800
12	Seal screw	YR40000000900	36	Lateral mass	YR40000000600
13	Valve body	YR40004000000	37	3 / 4"PT×1/2 copper core (selective matching)	BH12341200010
14	Face	YW04143500000		3 / 4"PT×3/4 copper core (selective matching)	BH12343400010
15	Transparent collet	YR40000001100		3 / 4"PT×1 copper core (selective matching)	BH12340100010
16	Right fixing plate	BW20040000310		3 / 4"PT×3/8 copper core (selective matching)	BH12343800010
17	Collet measuring scale	YW20004700000	38	M8 Tapping screw	YW66081600000
18	Connection base	YR40000001000	39	M8X25 Inner hexagon screw	YW61082500100
19	Screw thread adjustment parts	YR40000001300	40	Water flow distributor support	BW20004700000
20	O type seal ring 6	YR20363000000	41	M6×12×3 locating screw at notching cylinder end	YW64006000100
21	Number label	YP31010000100 YP31000025900	42	Mini clamp nut (selective matching)	YW09001000000
22	O type seal ring 3	YR20236200000	43	M8 Nut	YW64080600000
23	O type seal ring 5	YR20562600000	44	M8×35 Inner hexagon screw	YW61083500000
24	Regulator block	YW05040000400			

* means possible broken parts. ** means easy broken part. and spare backup is suggested. Please confirm the version of manual before placing the purchase order to guarantee that the item number of the spare part is in accordance with the real object.

2.2.3 Assembly Drawing (SFR-400)



Technical requirements:

1. No mixed use of various O type rings is allowed in assembling.
2. Face direction is that the pointed end faces valve body.
3. Zero installation graduation of transparent collet is on valve body.
4. Test water and find out no water leakage in every sealing place after assembling in accordance with regulations.
5. Adjust knob, flexible and reliable.

Remarks: please refer to material list 2.2.4 for specific explanation of the Arabic numbers in parts drawing.

Picture 2-3: Assembly Drawing SFR-400)

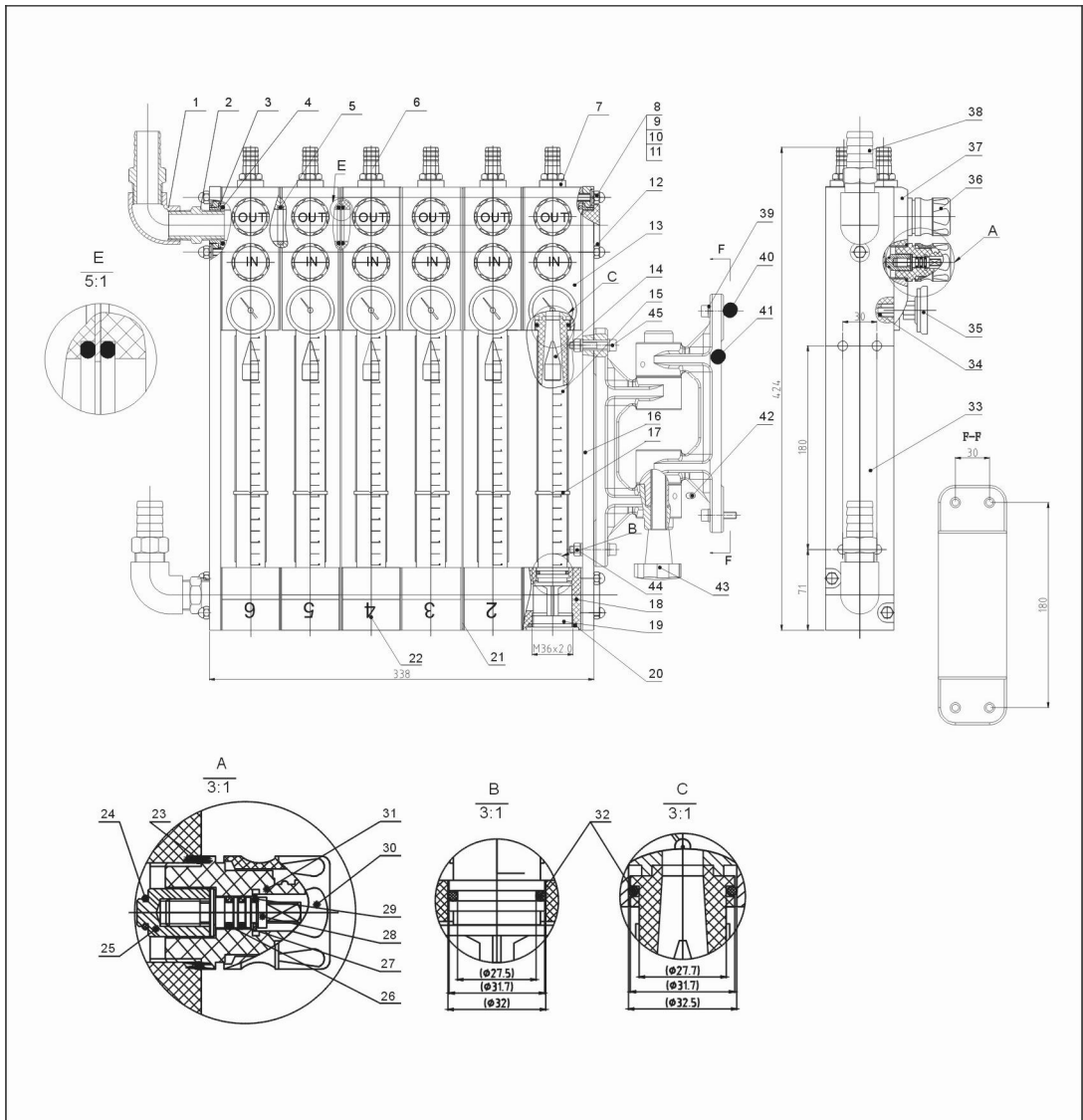
2.2.4 Parts List (SFR-400)

Table 2-2: Parts List (SFR-400)

No.	Name	Part No.	No.	Name	Part No.
1	3 / 4" Stainless steel elbow (selective matching)	YW53030400000	25	Regulator block	YW05040000400
2	3 / 4" Copper connection with external teeth at the two ends (Selective matching)	BH12030400010	26	O type seal ring 7	YR20052500000
3	Fixing ring of plinth	BH12040000710	27	O type seal ring 4	YR20062000000
4	O type seal ring 1	YR20283500000	28	Regulator inner lever	YW05040000300
5	Rectangular seal ring	YR20401000000	29	Split washer	YW66000600000
6	3 / 8" Pipe's connection	YW04135300000	30	Regulator screw cap (IN)	YR40000000700
7	Valve body attachment's internal race	BH12400001210	31	Regulator fixing seat	YR40000000500
8	Full double-screw bolt	BH10624000010	32	O type seal ring 2	YR20273000000
9	Flap gasket	YW66061800000	33	Right fixing plate	BW20040000410
10	Spring washer	YW65006000100	34	4" Single-pore rubber plug	YR30000400100
11	Acorn nut	YW64006000100	35	Bimetallic thermometer	YE90101100000
12	Seal screw	YR40000000900	36	Regulator screw cap (OUT)	YR40000000800
13	Valve body	YR40004000000	37	Lateral mass	YR40000000600
14	Face	YW04143500000	38	3 / 4"PT×1/2 copper core (selective matching)	BH12341200010
15	Transparent collet	YR40000001100		3 / 4"PT×3/4 copper core (selective matching)	BH12343400010
16	Right fixing plate	BW20040000310		3 / 4"PT×1 copper core (selective matching)	BH12340100010
17	Collet measuring scale	YW20004700000		3 / 4"PT×3/8 copper core (selective matching)	BH12343800010
18	Connection base	YR40000001000	39	M8 Tapping screw	YW66061200000
19	Screw thread adjustment parts	YR40000001300	40	M8X25 Inner hexagon screw	YW61082500100
20	O type seal ring 6	YR20363000000	41	Water flow distributor support	YW20004700000
21	Clapboard	BL26160500110	42	M6×12×3 locating screw at notching cylinder end	YW64006000100
22	Number label	YP31010000100 YP31010000300	43	Mini clamp nut (selective matching)	YW09001000000
23	O type seal ring 3	YR20236200000	44	M8 Nut	YW64080600000
24	O type seal ring 5	YR20562600000	45	M8×35 Inner hexagon screw	YW61083500000

* means possible broken parts. ** means easy broken part. and spare backup is suggested. Please confirm the version of manual before placing the purchase order to guarantee that the item number of the spare part is in accordance with the real object.

2.2.5 Assembly Drawing (SFR-600)



Technical requirements:

1. No mixed use of various O type rings is allowed in assembling.
2. Face direction is that the pointed end faces valve body.
3. Zero installation graduation of transparent collet is on valve body.
4. Test water and find out no water leakage in every sealing place after assembling in accordance with regulations.
5. Adjust knob, flexible and reliable.

Remarks: please refer to material list 2.2.6 for specific explanation of the Arabic numbers in parts drawing.

Picture 2-4: Assembly Drawing (SFR-600)

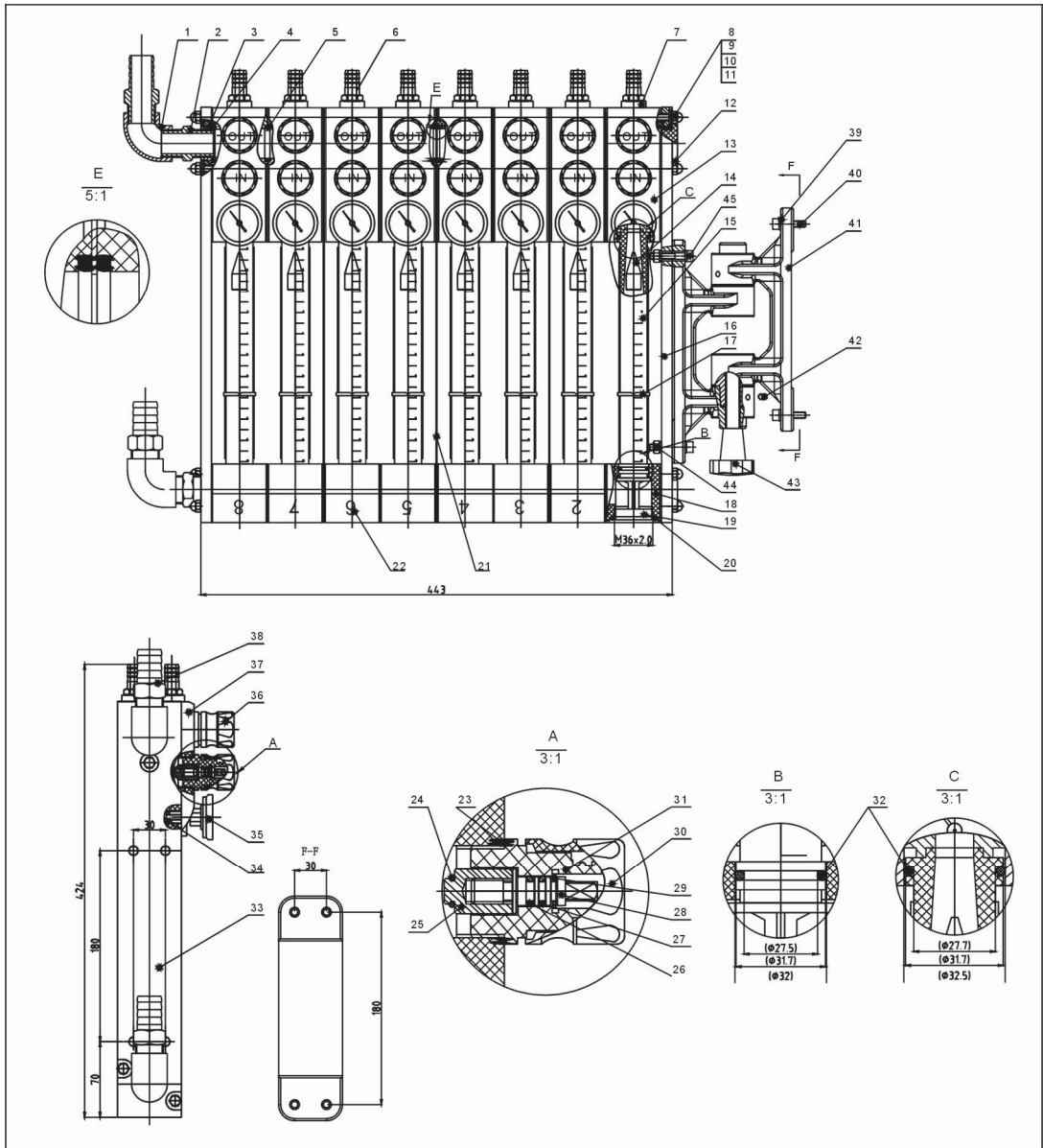
2.2.6 Parts List (SFR-600)

Table 2-3: Parts List (SFR-600)

No.	Name	Part No.	No.	Name	Part No.
1	3 / 4" Stainless steel elbow (selective matching)	YW53030400000	25	Regulator block	YW05040000400
2	3 / 4" Copper connection with external teeth at the two ends (Selective matching)	BH12030400010	26	O type seal ring 7	YR20052500000
3	Fixing ring of plinth	BH12040000710	27	O type seal ring 4	YR20062000000
4	O type seal ring 1	YR20283500000	28	Regulator inner lever	YW05040000300
5	Rectangular seal ring	YR20401000000	29	Split washer	YW66000600000
6	3 / 8" Pipe's connection	YW04135300000	30	Regulator screw cap (IN)	YR40000000700
7	Valve body attachment's internal race	BH12400001210	31	Regulator fixing seat	YR40000000500
8	Full double-screw bolt	BH10624000010	32	O type seal ring 2	YR20273000000
9	Flap gasket	YW66061800000	33	Right fixing plate	BW20040000410
10	Spring washer	YW65006000100	34	4" Single-pore rubber plug	YR30000400100
11	Acorn nut	YW64006000100	35	Bimetallic thermometer	YE90101100000
12	Seal screw	YR40000000900	36	Regulator screw cap (OUT)	YR40000000800
13	Valve body	YR40004000000	37	Lateral mass	YR40000000600
14	Face	YW04143500000	38	3 / 4"PT×1/2 copper core (selective matching)	BH12341200010
15	Transparent collet	YR40000001100		3 / 4"PT×3/4 copper core (selective matching)	BH12343400010
16	Right fixing plate	BW20040000310		3 / 4"PT×1 copper core (selective matching)	BH12340100010
17	Collet measuring scale	YW20004700000		3 / 4"PT×3/8 copper core (selective matching)	BH12343800010
18	Connection base	YR40000001000	39	M8 Tapping screw	YW66081600000
19	Screw thread adjustment parts	YR40000001300	40	M8X25 Inner hexagon screw	YW61082500100
20	O type seal ring 6	YR20363000000	41	Water flow distributor support	YW20004700000
21	Clapboard	BL26160500110	42	M6×12×3 locating screw at notching cylinder end	YW64006000100
22	Number label	YP31010000100 YP31010000500	43	Mini clamp nut (selective matching)	YW09001000000
23	O type seal ring 3	YR20236200000	44	M8 Nut	YW64080600000
24	O type seal ring 5	YR20562600000	45	M8×35 Inner hexagon screw	YW61083500000

* means possible broken parts. ** means easy broken part. and spare backup is suggested. Please confirm the version of manual before placing the purchase order to guarantee that the item number of the spare part is in accordance with the real object.

2.2.7 Assembly Drawing (SFR-800)



Technical requirements:

1. No mixed use of various O type rings is allowed in assembling.
2. Face direction is that the pointed end faces valve body.
3. Zero installation graduation of transparent collet is on valve body.
4. Test water and find out no water leakage in every sealing place after assembling in accordance with regulations.
5. Adjust knob, flexible and reliable.

Remarks: please refer to material list 2.2.8 for specific explanation of the Arabic numbers in parts drawing.

Picture 2-5: Assembly Drawing (SFR-800)

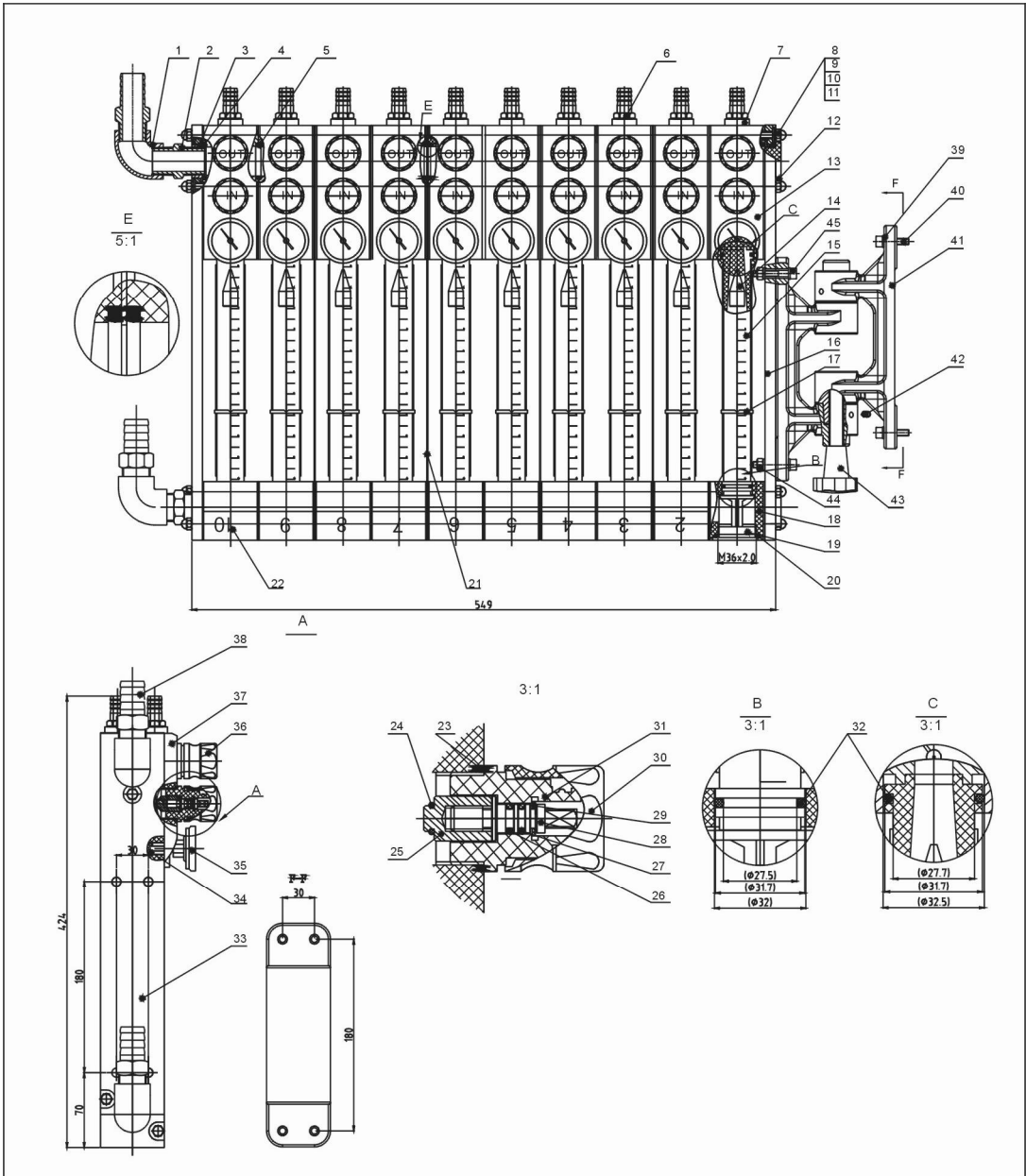
2.2.8 Parts List (SFR-800)

Table 2-4: Parts List (SFR-800)

No.	Name	Part No.	No.	Name	Part No.
1	3 / 4" Stainless steel elbow (selective matching)	YW53030400000	25	Regulator block	YW05040000400
2	3 / 4" Copper connection with external teeth at the two ends (Selective matching)	BH12030400010	26	O type seal ring 7	YR20052500000
3	Fixing ring of plinth	BH12040000710	27	O type seal ring 4	YR20062000000
4	O type seal ring 1	YR20283500000	28	Regulator inner lever	YW05040000300
5	Rectangular seal ring	YR20401000000	29	Split washer	YW66000600000
6	3 / 8" Pipe's connection	YW04135300000	30	Regulator screw cap (IN)	YR40000000700
7	Valve body attachment's internal race	BH12400001210	31	Regulator fixing seat	YR40000000500
8	Full double-screw bolt	BH11080001110	32	O type seal ring 2	YR20273000000
9	Flap gasket	YW66061800000	33	Right fixing plate	BW20040000410
10	Spring washer	YW65006000100	34	4" Single-pore rubber plug	YR30000400100
11	Acorn nut	YW64006000100	35	Bimetallic thermometer	YE90101100000
12	Seal screw	YR40000000900	36	Regulator screw cap (OUT)	YR40000000800
13	Valve body	YR40004000000	37	Lateral mass	YR40000000600
14	Face	YW04143500000	38	3 / 4"PT×1/2 copper core (selective matching)	BH12341200010
15	Transparent collet	YR40000001100		3 / 4"PT×3/4 copper core (selective matching)	BH12343400010
16	Right fixing plate	BW20040000310		3 / 4"PT×1 copper core (selective matching)	BH12340100010
17	Collet measuring scale	YW20004700000		3 / 4"PT×3/8 copper core (selective matching)	BH12343800010
18	Connection base	YR40000001000	39	M8 Tapping screw	YW66081600000
19	Screw thread adjustment parts	YR40000001300	40	M8X25 Inner hexagon screw	YW61082500100
20	O type seal ring 6	YR20363000000	41	Water flow distributor support	YW20004700000
21	Clapboard	BL26160500110	42	M6×12×3 locating screw at notching cylinder end	YW64006000100
22	Number label	YP31010000100 YP31010000700	43	Mini clamp nut (selective matching)	YW09001000000
23	O type seal ring 3	YR20236200000	44	M8 Nut	YW64080600000
24	O type seal ring 5	YR20562600000	45	M8×35 Inner hexagon screw	YW61083500000

* means possible broken parts. ** means easy broken part. and spare backup is suggested. Please confirm the version of manual before placing the purchase order to guarantee that the item number of the spare part is in accordance with the real object.

2.2.9 Assembly Drawing (SFR-1000)



Technical requirements:

1. No mixed use of various O type rings is allowed in assembling.
2. Face direction is that the pointed end faces valve body.
3. Zero installation graduation of transparent collet is on valve body.
4. Test water and find out no water leakage in every sealing place after assembling in accordance with regulations.
5. Adjust knob, flexible and reliable.

Remarks: please refer to material list 2.2.10 for specific explanation of the Arabic numbers in parts drawing.

Picture 2-6: Assembly Drawing (SFR-1000)

2.2.10 Parts List (SFR-1000)

Table 2-5: Parts List (SFR-1000)

No.	Name	Part No.	No.	Name	Part No.
1	3 / 4" Stainless steel elbow (selective matching)	YW53030400000	25	Regulator block	YW05040000400
2	3 / 4" Copper connection with external teeth at the two ends (Selective matching)	BH12030400010	26	O type seal ring 7	YR20052500000
3	Fixing ring of plinth	BH12040000710	27	O type seal ring 4	YR20062000000
4	O type seal ring 1	YR20283500000	28	Regulator inner lever	YW05040000300
5	Rectangular seal ring	YR20401000000	29	Split washer	YW66000600000
6	3 / 8" Pipe's connection	YW04135300000	30	Regulator screw cap (IN)	YR40000000700
7	Valve body attachment's internal race	BH12400001210	31	Regulator fixing seat	YR40000000500
8	Full double-screw bolt	BH10624000010	32	O type seal ring 2	YR20273000000
9	Flap gasket	YW66061800000	33	Right fixing plate	BW20040000410
10	Spring washer	YW65006000100	34	4" Single-pore rubber plug	YR30000400100
11	Acorn nut	YW64006000100	35	Bimetallic thermometer	YE90101100000
12	Seal screw	YR40000000900	36	Regulator screw cap (OUT)	YR40000000800
13	Valve body	YR40004000000	37	Lateral mass	YR40000000600
14	Face	YW04143500000	38	3 / 4"PT×1/2 copper core (selective matching)	BH12341200010
15	Transparent collet	YR40000001100		3 / 4"PT×3/4 copper core (selective matching)	BH12343400010
16	Right fixing plate	BW20040000310		3 / 4"PT×1 copper core (selective matching)	BH12340100010
17	Collet measuring scale	YW20004700000		3 / 4"PT×3/8 copper core (selective matching)	BH12343800010
18	Connection base	YR40000001000	39	M8 Tapping screw	YW66081600000
19	Screw thread adjustment parts	YR40000001300	40	M8X25 Inner hexagon screw	YW61082500100
20	O type seal ring 6	YR20363000000	41	Water flow distributor support	YW20004700000
21	Clapboard	BL26160500110	42	M6×12×3 locating screw at notching cylinder end	YW64006000100
22	Number label	YP31010000100 YP31010000900	43	Mini clamp nut (selective matching)	YW09001000000
23	O type seal ring 3	YR20236200000	44	M8 Nut	YW64080600000
24	O type seal ring 5	YR20562600000	45	M8×35 Inner hexagon screw	YW61083500000

* means possible broken parts. ** means easy broken part. and spare backup is suggested. Please confirm the version of manual before placing the purchase order to guarantee that the item number of the spare part is in accordance with the real object.

2.2.12 Parts List (SFR-1200)

Table 2-6: Parts List (SFR-1200)

No.	Name	Part No.	No.	Name	Part No.
1	3 / 4" Stainless steel elbow (selective matching)	YW53030400000	25	Regulator block	YW05040000400
2	3 / 4" Copper connection with external teeth at the two ends (Selective matching)	BH12030400010	26	O type seal ring 7	YR20052500000
3	Fixing ring of plinth	BH12040000710	27	O type seal ring 4	YR20062000000
4	O type seal ring 1	YR20283500000	28	Regulator inner lever	YW05040000300
5	Rectangular seal ring	YR20401000000	29	Split washer	YW66000600000
6	3 / 8" Pipe's connection	YW04135300000	30	Regulator screw cap (IN)	YR40000000700
7	Valve body attachment's internal race	BH12400001210	31	Regulator fixing seat	YR40000000500
8	Full double-screw bolt	BH10624000010	32	O type seal ring 2	YR20273000000
9	Flap gasket	YW66061800000	33	Right fixing plate	BW20040000410
10	Spring washer	YW65006000100	34	4" Single-pore rubber plug	YR30000400100
11	Acorn nut	YW64006000100	35	Bimetallic thermometer	YE90101100000
12	Seal screw	YR40000000900	36	Regulator screw cap (OUT)	YR40000000800
13	Valve body	YR40004000000	37	Lateral mass	YR40000000600
14	Face	YW04143500000	38	3 / 4"PT×1/2 copper core (selective matching)	BH12341200010
15	Transparent collet	YR40000001100	39	3 / 4"PT×3/4 copper core (selective matching)	BH12343400010
16	Right fixing plate	BW20040000310	40	3 / 4"PT×1 copper core (selective matching)	BH12340100010
17	Collet measuring scale	YW20004700000	41	3 / 4"PT×3/8 copper core (selective matching)	BH12343800010
18	Connection base	YR40000001000	42	M8 Tapping screw	YW66081600000
19	Screw thread adjustment parts	YR40000001300	43	M8X25 Inner hexagon screw	YW61082500100
20	O type seal ring 6	YR20363000000	44	Water flow distributor support	YW20004700000
21	Clapboard	BL26160500110	45	M6×12×3 locating screw at notching cylinder end	YW64006000100
22	Number label	YP31010000100 YP31010001100	46	Mini clamp nut (selective matching)	YW09001000000
23	O type seal ring 3	YR20236200000	47	M8 Nut	YW64080600000
24	O type seal ring 5	YR20562600000	48	M8×35 Inner hexagon screw	YW61083500000

* means possible broken parts. ** means easy broken part. and spare backup is suggested. Please confirm the version of manual before placing the purchase order to guarantee that the item number of the spare part is in accordance with the real object.