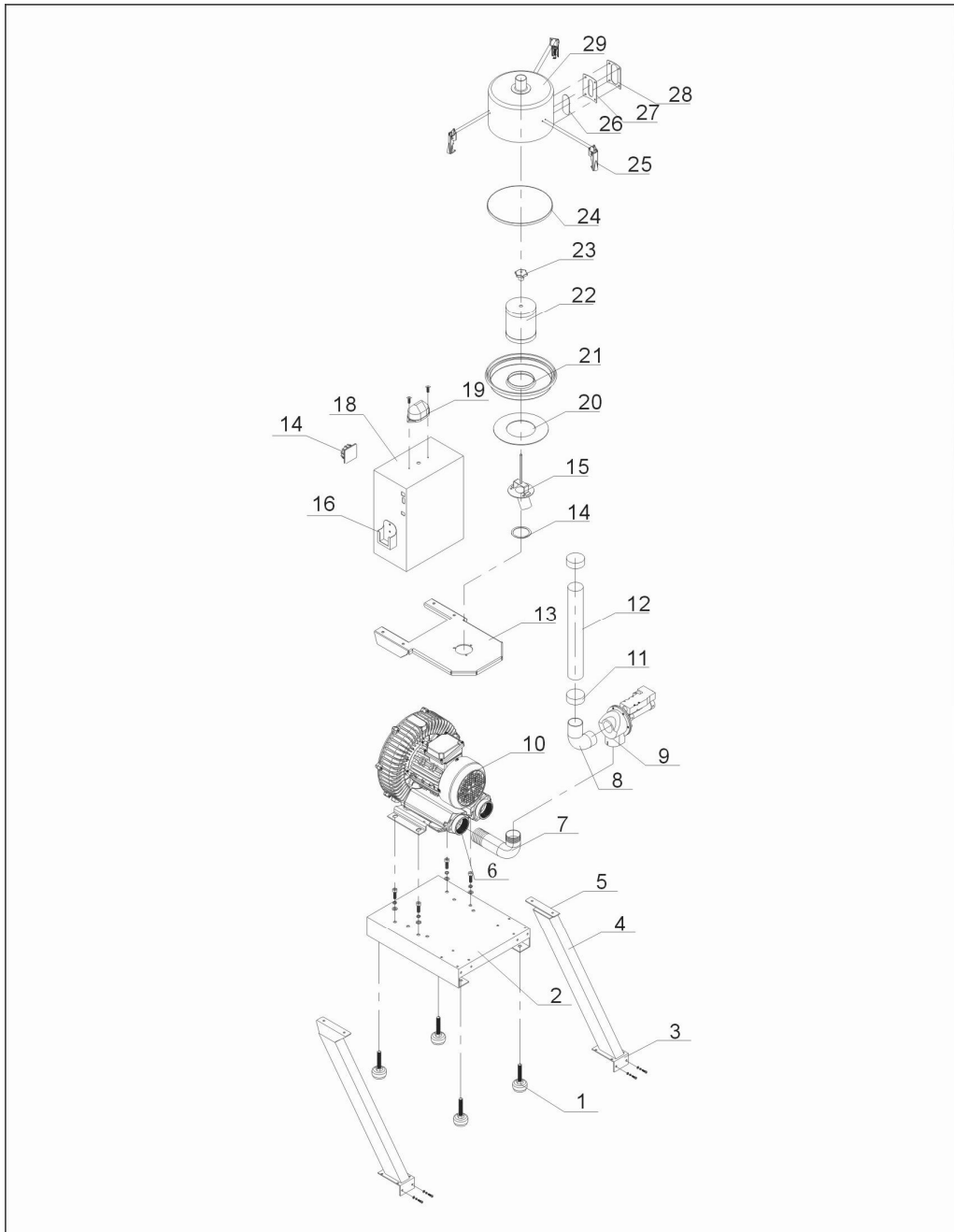


2.2 Assembly Drawing

2.2.1 Assembly Drawing (SAL-1/2HP-UGP)



Remarks: Please refer to material list 2.2.2 for specific explanation of the Arabic numbers in parts drawing.

Picture 2-2: Assembly Drawing (SAL-1/2HP-UGP)

2.2.2 Parts List (SAL-1HP/2HP-UGP)

Table 2-1: Parts List (SAL-1HP/2HP-UGP)

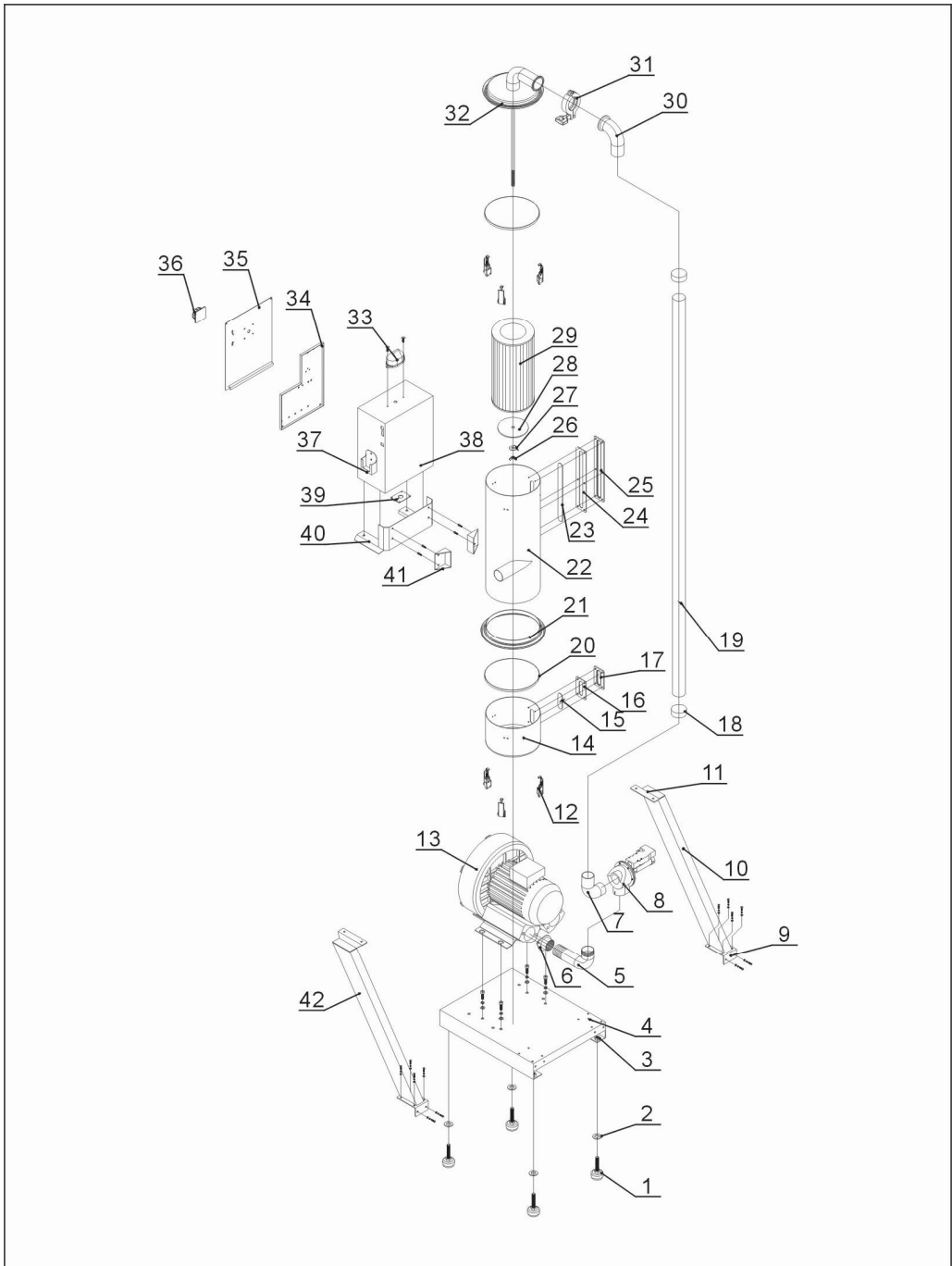
No.	Name	Part No.	No.	Name	Part No.
1	Anti-vibration pad	YW03005000000	15	Filter barrel lid assembly	-
2	Base	BL26000202420	16	Controller holder	BL26010241820
3	Lower welding block on column	-	17	Main switch *	YE10200300000
4	Standing post	BL26000202920	18	Control box	BL21000101920
5	Upper welding block on column	-	19	Alarm light	YE83305100200
6	Blower flange	-	20	Filter barrel lid barrel	YR10030000000
7	Air inlet pipe	BL21000200320	21	Filter barrel lid	-
8	Diaphragm valve connection pipe	-	22	Air filter*	YR50708000000
9	Vacuum breaking diaphragm valve	BY20015000050	23	Star nut	YW09051600000
10	High pressure pipe 1HP	BM30031000150	24	Filter container seal ring*	YR10708000100
	High pressure pipe 2HP	BM30042000050	25	Spring clip*	YW02003000400
11	Clip	YW02000200000	26	Acryl	BH32070000050
12	Steel wired plastic pipe	YR60157000000	27	Seal ring	YR40000400000
13	Filter fixing bracket	-	28	Iron sheet of 4-hole sight glass	YW09000000400
14	Filter barrel base fastener	-	29	Filter barrel	BL26000203621

* means possible broken parts.

** means easy broken part. and spare backup is suggested.

Please confirm the version of manual before placing the purchase order to guarantee that the item number of the spare part is in accordance with the real object.

2.2.3 Assembly Drawing (SAL-3.5HP/5HP-UGP)



Remarks: Please refer to material list 2.2.4 for specific explanation of the Arabic numbers in parts drawing.

Picture 2-3: Assembly Drawing (SAL-3.5HP/5HP-UGP)

2.2.4 Parts List (SAL-3.5HP/5HP-UGP)

Table 2-2: Parts List (SAL-3.5HP/5HP-UGP)

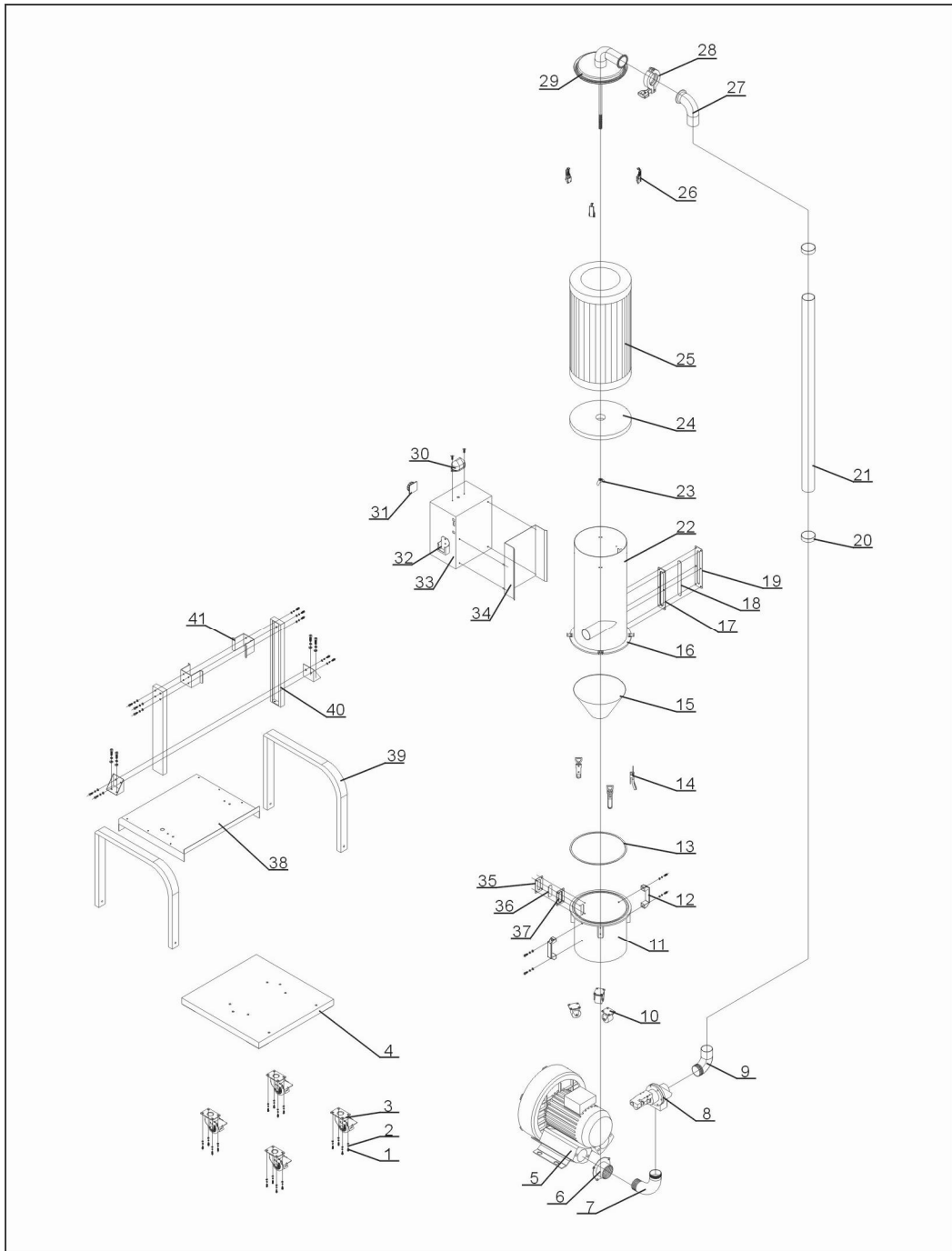
No.	Name	Part No.	No.	Name	Part No.
1	Anti-vibration pad Φ 50	YW03005000000	21	Filter barrel roll	BL19003500120
2	Flat washer 8	YW66082200100	22	Filter barrel assembly	-
3	Nut M12	YW64012100000	23	6-hole acryl	YR40001200000
4	Base	BL21003500120	24	6-hole sight glass fastene	YR40000600000
5	Air inlet pipe	BL26003506520-	25	Iron sheet of 6-hole sight glass	YW09000600000
6	Blower flange	-	26	Butterfly nut 5/16"	YW09051600000
7	Vacuum breaking diaphragm valve 1.5"	BY20015000050	27	Flat washer	YW66082200100
8	Vacuum breaking diaphragm valve piping	BL21003500420	28	Strainer fixing plate 8	BL21003500520
9	Lower welded block of stand column	-	29	Air filter ADC2	YR50181100000
10	Right stand column	BL26003506620	30	Air suction pipe	-
11	Upper welded block of stand column	-	31	Coupling clip	YW07000200000
12	Snap hook*	YW02003000400	32	Filter barrel lid assembly	-
13	High pressure blower 3.5HP	BM30053500050	33	Alarm light	YE83305100200
	High pressure blower 5HP	BM30055000050	34	Control base board	-
	High pressure blower 5HP (two-stage)	YM30433700000	35	Cover board	-
14	Dust collection bin	BL26003507021	36	Main power switch	YE10210300000
15	4-hole acryl	BH32070000050	37	Controller holder	BL26010241820
16	4-hole sight glass fastener	YR40000400000	38	Control box	BL26003505321
17	Iron sheet of 4-hole sight glass	YW09000000400	39	Line jig fixing plate Insulation material	-
18	Pipe bundle 2.5"	YW02002500000	40	Filter barrel support	-
19	Steel wired plastic Pipe 2"	YR60205000100	41	Control cabinet mounting plate	-
20	Dust collecting barrel fastener*	YR10708000100	42	Left stand column	BL26003506620

* means possible broken parts.

** means easy broken part. and spare backup is suggested.

Please confirm the version of manual before placing the purchase order to guarantee that the item number of the spare part is in accordance with the real object.

2.2.5 Assembly Drawing (SAL-7.5HP/10HP-UGP)



Remarks: Please refer to material list 2.2.6 for specific explanation of the Arabic numbers in parts drawing.

Picture 2-4: Assembly Drawing (SAL-7.5HP/10HP-UGP)

2.2.6 Parts List (SAL-7.5HP/10HP/15HP-UG)

Table 2-3: Parts List (SAL-7.5HP/10HP-UG)

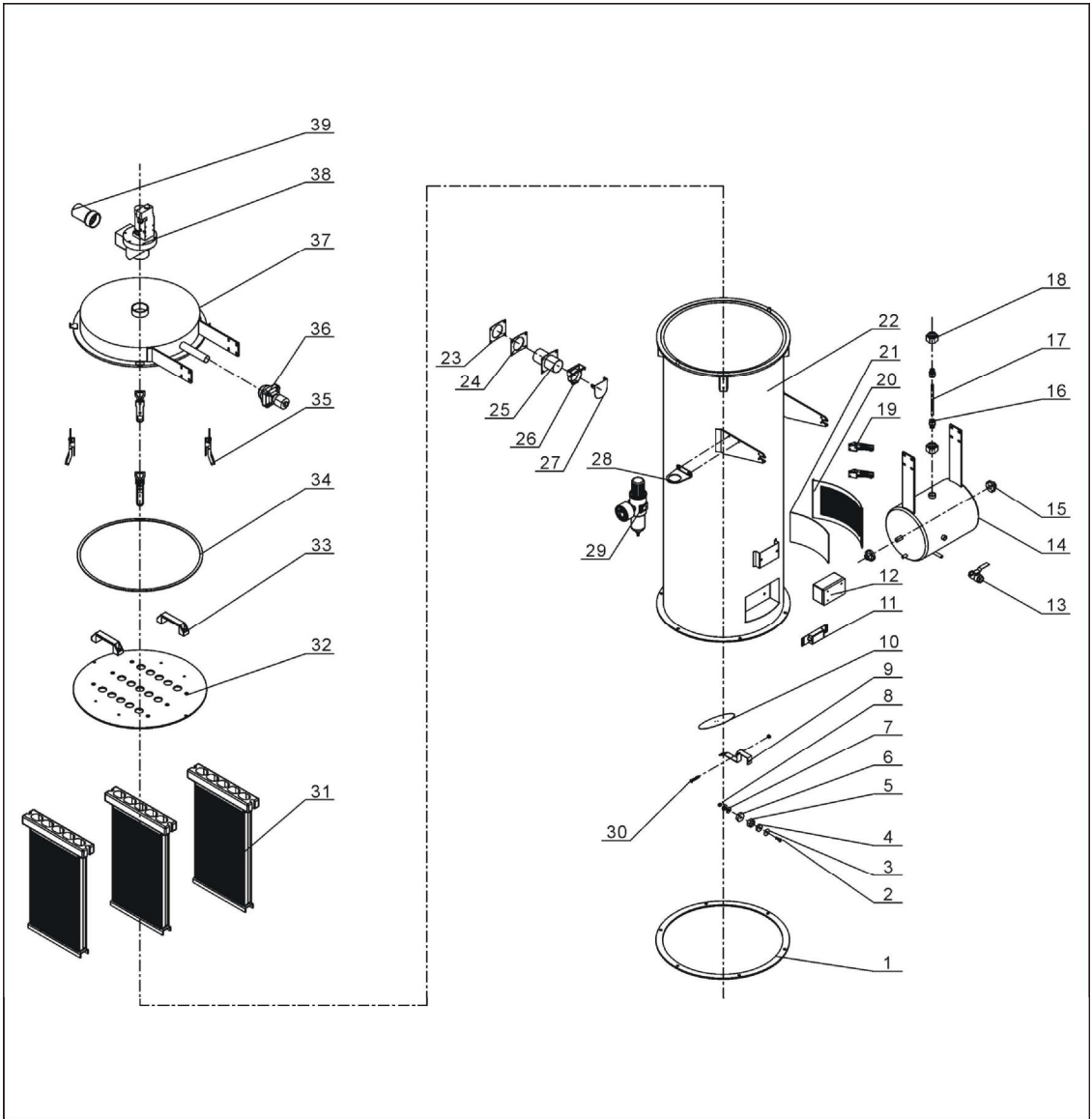
No.	Name	Part No.	No.	Name	Part No.
1	Hex. head screw	YW60084000200	20	Clip	YW02002500000
2	Spring washer	YW66081600000	21	Steel wire hose	YR60002500000
3	3" movable castor	YW03000300200	22	Filter barrel assembly	-
	3" castor with brake	YW03000300000	23	Butterfly nut	YW69051600000
4	Base	BL26007502721	24	Filter fixing plate	BL26007504720
5	High pressure blower 7.5HP	BM30075000050	25	Air filter*	YR50221400000
	High pressure blower 7.5HP single-stage	YM30635500000	26	Spring clip*	YW02003000400
	High pressure blower 10HP	BM30081000050	27	Filter barrel lid assembly	-
	High pressure blower 10HP single-stage	YM30637500000	28	2.5" coupling clip	YW07002500600
6	Blower flange	-	29	Filter barrel lid assembly	-
7	Air inlet fastener	BL26007504920	30	Alarm light	YE83305100200
8	Pneumatic diaphragm valve	BY20020000150	31	Main switch	YE10210300000
9	Pneumatic valve coupling	BL26007502020	32	Controller holder	BL26010241820
10	Castor	YW03002500000	33	Control cabinet	BL26007503521
11	Dust collecting barrel	BL26007502421	34	Control cabinet mounting plate	-
12	Aluminium handle	BW20012000040	35	Iron sheet of 4-hole sight glass	YW09000000400
13	Dust collecting barrel seal ring*	-	36	Acryl	BH32070000050
14	Large handle	YW02003000100	37	4-holes window seal ring	YR40000400000
15	Cyclone baffle	-	38	Middle board	-
16	Bottom ring of filter barrel	-	39	Supporting frame 1	-
17	6-holes window seal ring	YR40000600000	40	Pillar of filter barrel	-
18	Acryl	YR40001200000	41	Filter fixing bracket	-
19	Iron sheet of 6-hole sight glass	YW09000600000			

* means possible broken parts.

** means easy broken part. and spare backup is suggested.

Please confirm the version of manual before placing the purchase order to guarantee that the item number of the spare part is in accordance with the real object.

2.2.7 Assembly Drawing of Storage Hopper with Plate Filter



Remarks: Please refer to material list 2.2.8 for specific explanation of the Arabic numbers in parts drawing.

Picture 2-5: Assembly Drawing of Storage Hopper with Plate Filter

2.2.8 Parts List of Storage Hopper with Plate Filter

Table 2-4: Parts List of Storage Hopper with Plate Filter

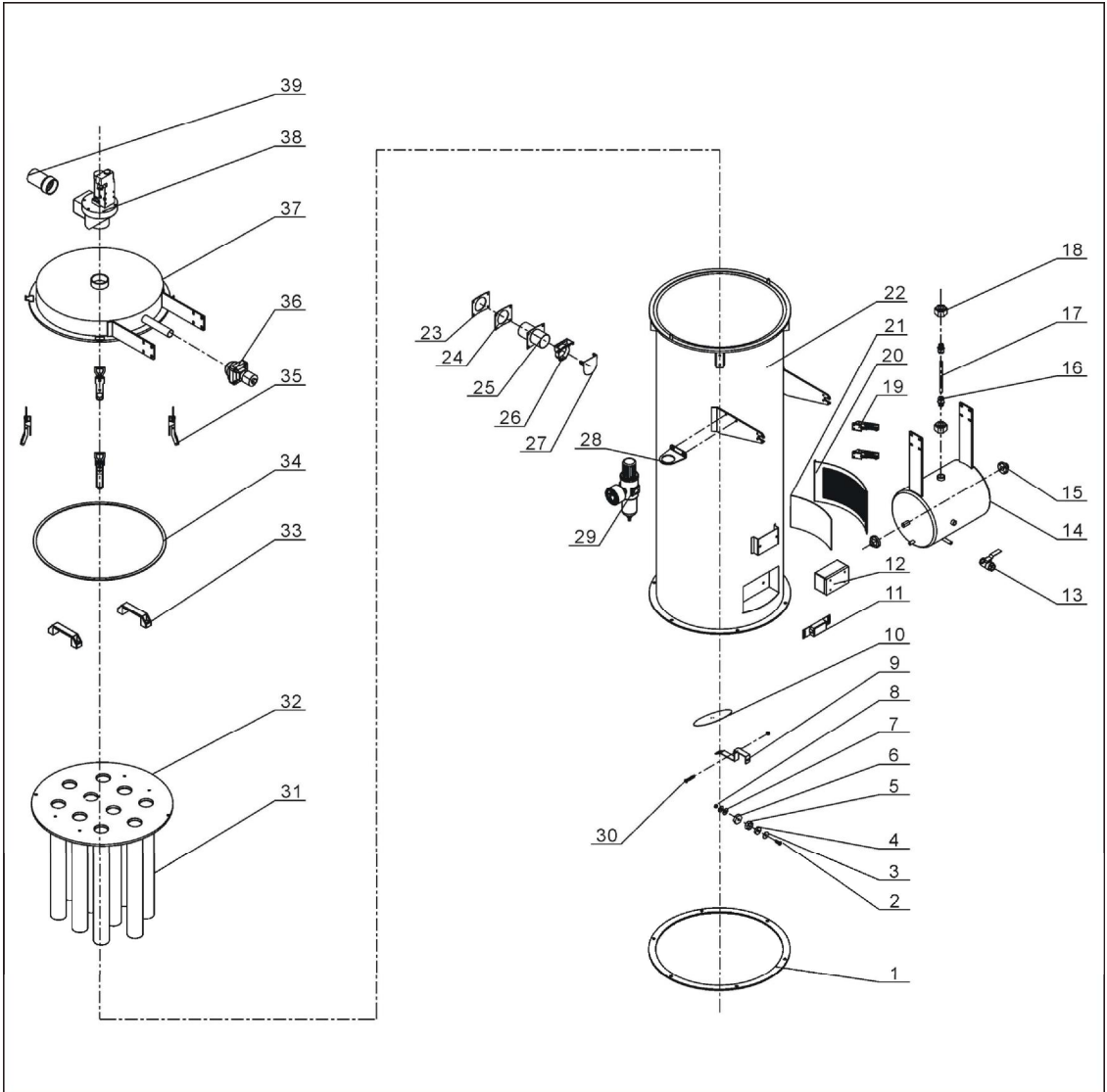
No.	Name	Part No.	No.	Name	Part No.
1	Fastener for filtering barrel	YR10010000200	21	Filter cloth	YP82050000000
2	Cruciform slot screw	YW63063000000	22	Filter barrel body	-
3	Magnet cover	BL21000600120	23	Fixing plate of suction pipe	-
4	Permanent magnet	YW90213700000	24	Fastener of the suction pipe	-
5	Magnet cover	BH12000600010	25	Suction pipe	-
6	Press block	-	26	Non-return flap	BL27002400920
7	Flat washer	YR40000400000	27	Non-return valve	-
8	Lockup nut	YW64000600200	28	Mounting bracket	YE30004200000
9	Connecting block for discharging plate	BL27006000020	29	Pressure regulating valves	YE30421400000
10	Discharging plate	BL27006001120	30	Cruciform slot screw	YW63064000000
11	The cover of sensor	-	31	Plate filter	YR50450500000
12	Control box	-	32	Flange for the filter	-
13	Ball valve 3/8"	YW50030800100	33	Square aluminum handle	BW20012000040
14	Air accumulator	BL27006000120	34	Filter barrel lid fastener	-
15	Fixing flange of the air accumulator	-	35	Big handle in new design	-
16	Air pipe coupling	YW80161200000	36	Diaphragm valve	YE30020000100
17	Air pipe	YR60161000000	37	Filter barrel lid	-
18	Copper connector	-	38	vacuum separating valve	BY20500000050
19	Spring clip**	YW02003000400	39	Air suction port coupling	BL27006001620
20	Air vent window	BL27006001320			

* means possible broken parts.

** means easy broken part. and spare backup is suggested.

Please confirm the version of manual before placing the purchase order to guarantee that the item number of the spare part is in accordance with the real object.

2.2.9 Assembly Drawing of the Storage Hopper with Bag Filter



Remarks: Please refer to material list 2.2.10 for specific explanation of the Arabic numbers in parts drawing.

Picture 2-6: Assembly Drawing of the Storage Hopper with Bag Filter

2.2.10 Parts List of the Storage Hopper with Bag Filter

Table 2-5: Parts List of the Storage Hopper with Bag Filter

No.	Name	Part No.	No.	Name	Part No.
1	Fastener for filtering barrel	YR10010000200	21	Filter cloth	YP82050000000
2	Cruciform slot screw	YW63063000000	22	Filter barrel body	-
3	Magnet cover	BL21000600120	23	Fixing plate of suction pipe	-
4	Permanent magnet	YW90213700000	24	Fastener of the suction pipe	-
5	Magnet cover	BH12000600010	25	Suction pipe	-
6	Press block	-	26	Non-return flap	BL27002400920
7	Flat washer	YR40000400000	27	Non-return valve	-
8	Lockup nut	YW64000600200	28	Mounting bracket	YE30004200000
9	Connecting block for discharging plate	BL27006000020	29	Pressure regulating valves	YE30421400000
10	Discharging plate	BL27006001120	30	Cruciform slot screw	YW63064000000
11	The cover of sensor	-	31	Filtering bag SHR-P-30U-90U / SHR-P-12U	BP82774800044 BP82774000044
12	Control box	-	32	Flange for the filter	-
13	Ball valve 3/8"	YW50030800100	33	Square aluminum handle	BW20012000040
14	Air accumulator	BL27006000120	34	Filter barrel lid fastener	-
15	Fixing flange of the air accumulator	-	35	Big handle in new design	-
16	Air pipe coupling	YW80161200000	36	Diaphragm valve	YE30020000100
17	Air pipe	YR60161000000	37	Filter barrel lid	-
18	Copper connector	-	38	vacuum separating valve	BY20500000050
19	Spring clip**	YW02003000400	39	Air suction port coupling	BL27006001620
20	Air vent window	BL27006001320			

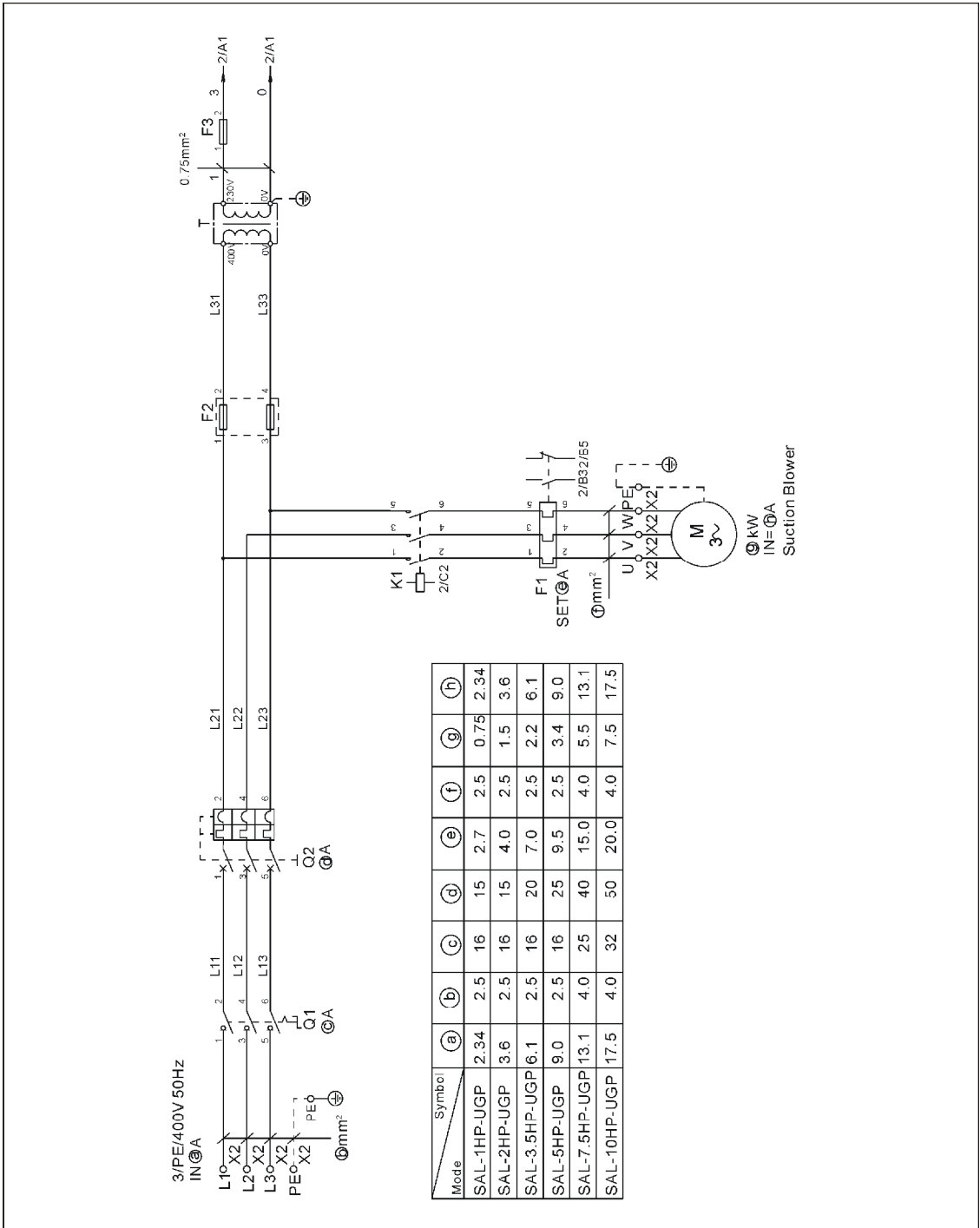
* means possible broken parts.

** means easy broken part. and spare backup is suggested.

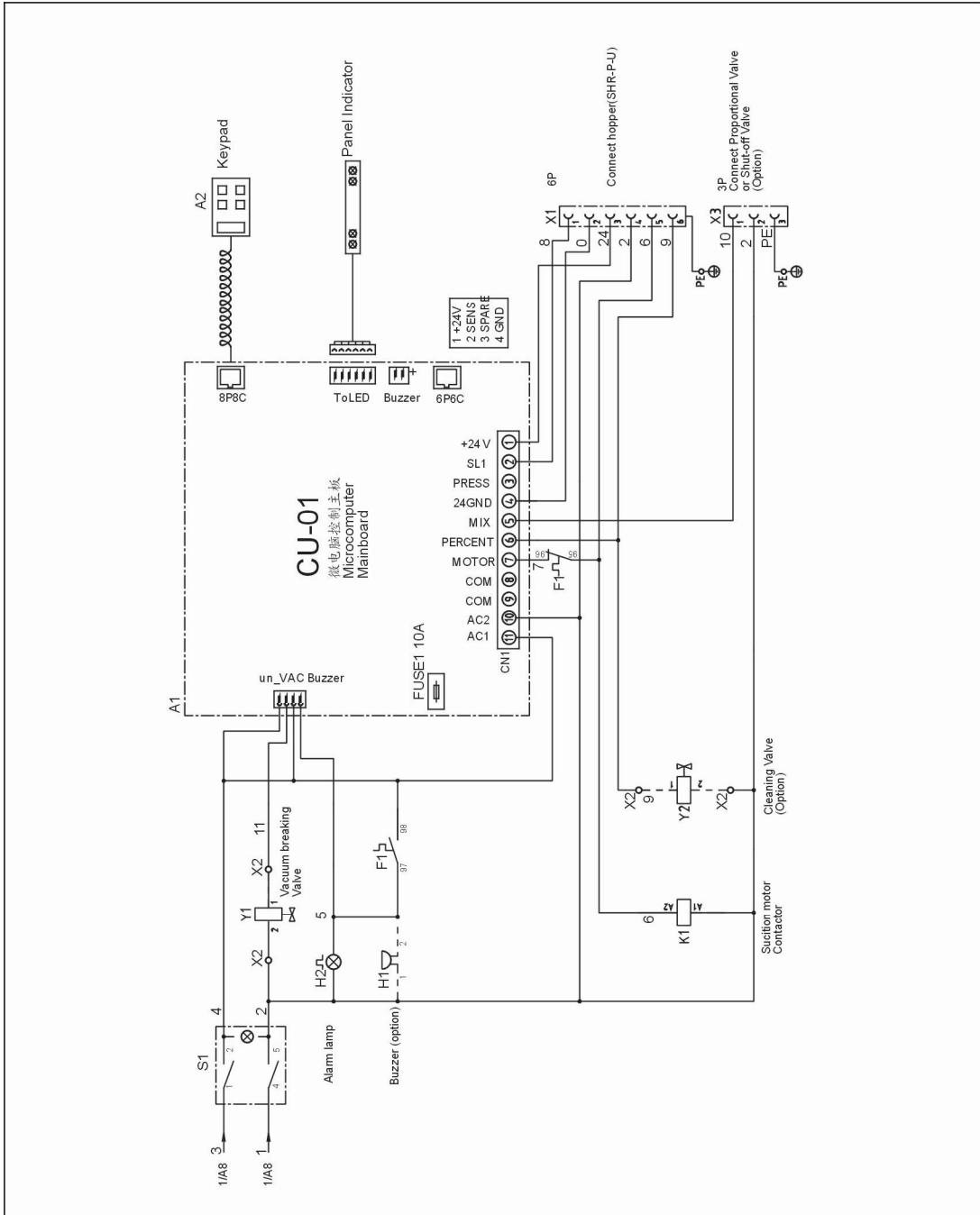
Please confirm the version of manual before placing the purchase order to guarantee that the item number of the spare part is in accordance with the real object.

2.3 Electrical Diagram

2.3.1 Main Circuit (400V)

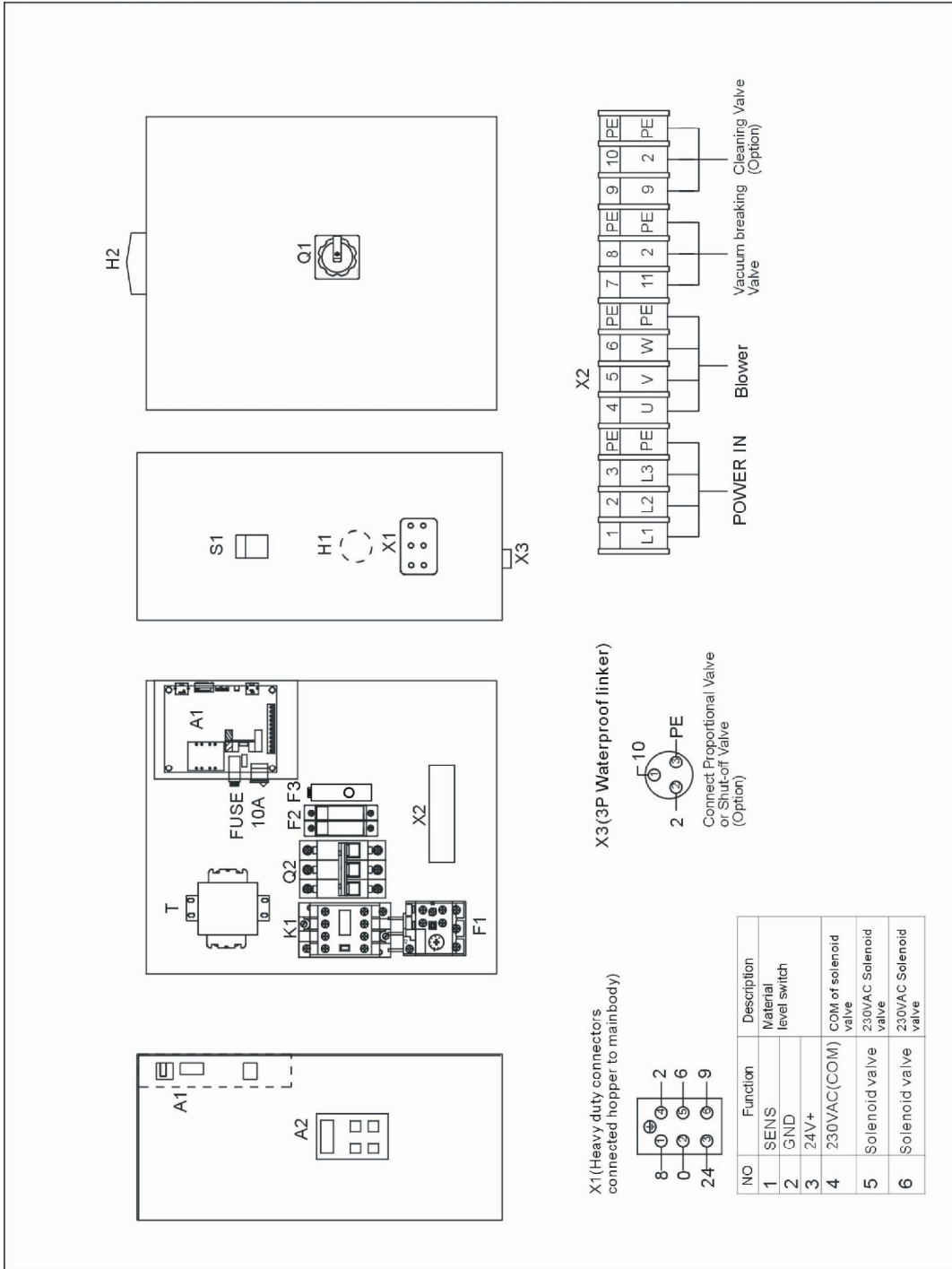


Picture 2-7: Main Circuit 1 (400V)



Picture 2-8: Main Circuit 2 (400V)

2.3.2 Electrical Components Layout (400V)



Picture 2-9: Electrical Components Layout (400V)

2.3.3 Electrical Components List (400V)

Table 2-6: Electrical Components List (SAL-1HP-UGP) (400V)

NO.	Symbol	Name	SAL-1HP-UGP	
			Specification	Part NO.
1	Q1	Main switch*	16A	YE10200300000
2	Q2	Circuit breakers*	15A	YE40601500000
3	K1	Contactors**	230V 50/60Hz	YE00300000000
4	T	Transformer**	350mA	YE70350400000
5	F1	Overload relays	2~3.2A	YE01023200000
6	F2	Fuse box**	500V 32A	YE41032200000
7	-	Fuse**	500V 2A 10×38	YE46002000100
8	F3	Fuse box**	250V 2A	YE41001000000
9	S1	Control switch	4P (WH)	YE10210400000
10	H1	Buzzer	60-250VAC 50/60Hz	YE84003500000
11	H2	Alarm lamp	230VAC 50/60Hz	YE83305100200
12	A1	Microcomputer mainboard**	230VAC 50/60Hz	-
13	A2	Keypad**	-	-
14	X1	Heavy duty connectors	16A 400V	YE68061640100
15	X2	Terminal board	2.5mm ²	YE61250040000
16	-	Terminal board	2.5mm ² PE	YE61253500000
17	-	Terminal board	2.5mm ²	YE61250040000
18	-	Terminal board	2.5mm ² PE	YE61253500000
19	X3	Waterproof linker	250V 3P	YE62163000100
20	M	Blower**	1HP	-
21	Y1	Solenoid vavle*	230V 50/60Hz	YE32051800300
22	Y2	Solenoid vavle*	230V 50/60Hz	YE32212000000

* means possible broken parts.

** means easy broken part. and spare backup is suggested.

Please confirm the version of manual before placing the purchase order to guarantee that the item number of the spare part is in accordance with the real object.

Table 2-7: Electrical Components List (SAL-2HP-UGP) (400V)

NO.	Symbol	Name	SAL-2HP-UGP	
			Specification	Part NO.
1	Q1	Main switch*	16A	YE10200300000
2	Q2	Circuit breakers*	15A	YE40601500000
3	K1	Contactors**	230V 50/60Hz	YE00300000000
4	T	Transformer**	350mA	YE70350400000
5	F1	Overload relays	3.2~5A	YE01032500000
6	F2	Fuse box**	500V 32A	YE41032200000
7	-	Fuse**	500V 2A 10×38	YE46002000100
8	F3	Fuse box**	250V 2A	YE41001000000
9	S1	Control switch	4P (WH)	YE10210400000
10	H1	Buzzer	60-250VAC 50/60Hz	YE84003500000
11	H2	Alarm lamp	230VAC 50/60Hz	YE83305100200
12	A1	Microcomputer mainboard**	230VAC 50/60Hz	-
13	A2	Keypad**	-	-
14	X1	Heavy duty connectors	16A 400V	YE68061640100
15	X2	Terminal board	2.5mm ²	YE61250040000
16	-	Terminal board	2.5mm ² PE	YE61253500000
17	-	Terminal board	2.5mm ²	YE61250040000
18	-	Terminal board	2.5mm ² PE	YE61253500000
19	X3	Waterproof linker	250V 3P	YE62163000100
20	M	Blower**	2HP	-
21	Y1	Solenoid vavle*	230V 50/60Hz	YE32051800300
22	Y2	Solenoid vavle*	230V 50/60Hz	YE32212000000

* means possible broken parts.

** means easy broken part. and spare backup is suggested.

Please confirm the version of manual before placing the purchase order to guarantee that the item number of the spare part is in accordance with the real object.

Table 2-8: Electrical Components List (SAL-3.5HP-UGP) (400V)

NO.	Symbol	Name	SAL-3.5HP-UGP	
			Specification	Part NO.
1	Q1	Main switch*	16A	YE10200300000
2	Q2	Circuit breakers*	20A	YE40602000000
3	K1	Contactors**	230V 50/60Hz	YE00310000000
4	T	Transformer**	350mA	YE70350400000
5	F1	Overload relays	5~8A	YE01050800000
6	F2	Fuse box**	500V 32A	YE41032200000
7	-	Fuse**	500V 2A 10×38	YE46002000100
8	F3	Fuse box**	250V 2A	YE41001000000
9	S1	Control switch	4P (WH)	YE10210400000
10	H1	Buzzer	60-250VAC 50/60Hz	YE84003500000
11	H2	Alarm lamp	230VAC 50/60Hz	YE83305100200
12	A1	Microcomputer mainboard**	230VAC 50/60Hz	-
13	A2	Keypad**	-	-
14	X1	Heavy duty connectors	16A 400V	YE68061640100
15	X2	Terminal board	2.5mm ²	YE61250040000
16	-	Terminal board	2.5mm ² PE	YE61253500000
17	-	Terminal board	2.5mm ²	YE61250040000
18	-	Terminal board	2.5mm ² PE	YE61253500000
19	X3	Waterproof linker	250V 3P	YE62163000100
20	M	Blower**	3.5HP	-
21	Y1	Solenoid vavle*	230V 50/60Hz	YE32051800300
22	Y2	Solenoid vavle*	230V 50/60Hz	YE32212000000

* means possible broken parts.

** means easy broken part. and spare backup is suggested.

Please confirm the version of manual before placing the purchase order to guarantee that the item number of the spare part is in accordance with the real object.

Table 2-9: Electrical Components List (SAL-5HP-UGP) (400V)

NO.	Symbol	Name	SAL-5HP-UGP	
			Specification	Part NO.
1	Q1	Main switch*	16A	YE10200300000
2	Q2	Circuit breakers*	25A	YE40602500000
3	K1	Contactors**	230V 50/60Hz	YE00310000000
4	T	Transformer**	350mA	YE70350400000
5	F1	Overload relays	6.3~10A	YE01631000000
6	F2	Fuse box**	500V 32A	YE41032200000
7	-	Fuse**	500V 2A 10×38	YE46002000100
8	F3	Fuse box**	250V 2A	YE41001000000
9	S1	Control switch	4P (WH)	YE10210400000
10	H1	Buzzer	60-250VAC 50/60Hz	YE84003500000
11	H2	Alarm lamp	230VAC 50/60Hz	YE83305100200
12	A1	Microcomputer mainboard**	230VAC 50/60Hz	-
13	A2	Keypad**	-	-
14	X1	Heavy duty connectors	16A 400V	YE68061640100
15	X2	Terminal board	2.5mm ²	YE61250040000
16	-	Terminal board	2.5mm ² PE	YE61253500000
17	-	Terminal board	2.5mm ²	YE61250040000
18	-	Terminal board	2.5mm ² PE	YE61253500000
19	X3	Waterproof linker	250V 3P	YE62163000100
20	M	Blower**	5HP	-
21	Y1	Solenoid vavle*	230V 50/60Hz	YE32051800300
22	Y2	Solenoid vavle*	230V 50/60Hz	YE32212000000

* means possible broken parts.

** means easy broken part. and spare backup is suggested.

Please confirm the version of manual before placing the purchase order to guarantee that the item number of the spare part is in accordance with the real object.

Table 2-10: Electrical Components List (SAL-7.5HP-UGP) (400V)

NO.	Symbol	Name	SAL-7.5HP-UGP	
			Specification	Part NO.
1	Q1	Main switch*	25A	YE10210300000
2	Q2	Circuit breakers*	40A	YE40604000000
3	K1	Contactors**	230V 50/60Hz	YE00320000000
4	T	Transformer**	350mA	YE70350400000
5	F1	Overload relays	10~16A	YE01101600100
6	F2	Fuse box**	500V 32A	YE41032200000
7	-	Fuse**	500V 2A 10×38	YE46002000100
8	F3	Fuse box**	250V 2A	YE41001000000
9	S1	Control switch	4P (WH)	YE10210400000
10	H1	Buzzer	60-250VAC 50/60Hz	YE84003500000
11	H2	Alarm lamp	230VAC 50/60Hz	YE83305100200
12	A1	Microcomputer mainboard**	230VAC 50/60Hz	-
13	A2	Keypad**	-	-
14	X1	Heavy duty connectors	16A 400V	YE68061640100
15	X2	Terminal board	2.5mm ²	YE61250040000
16	-	Terminal board	2.5mm ² PE	YE61253500000
17	-	Terminal board	2.5mm ²	YE61250040000
18	-	Terminal board	2.5mm ² PE	YE61253500000
19	X3	Waterproof linker	250V 3P	YE62163000100
20	M	Blower**	7.5HP	-
21	Y1	Solenoid vavle*	230V 50/60Hz	YE32051800300
22	Y2	Solenoid vavle*	230V 50/60Hz	YE32212000000

* means possible broken parts.

** means easy broken part. and spare backup is suggested.

Please confirm the version of manual before placing the purchase order to guarantee that the item number of the spare part is in accordance with the real object.

Table 2-11: Electrical Components List (SAL-10HP-UGP) (400V)

NO.	Symbol	Name	SAL-10HP-UGP	
			Specification	Part NO.
1	Q1	Main switch*	32A	YE10220300000
2	Q2	Circuit breakers*	50A	YE40605000000
3	K1	Contactors**	230V 50/60Hz	YE00330000000
4	T	Transformer**	350mA	YE70350400000
5	F1	Overload relays	12.5~20A	YE01125200100
6	F2	Fuse box**	500V 32A	YE41032200000
7	-	Fuse**	500V 2A 10×38	YE46002000100
8	F3	Fuse box**	250V 2A	YE41001000000
9	S1	Control switch	4P (WH)	YE10210400000
10	H1	Buzzer	60-250VAC 50/60Hz	YE84003500000
11	H2	Alarm lamp	230VAC 50/60Hz	YE83305100200
12	A1	Microcomputer mainboard**	230VAC 50/60Hz	-
13	A2	Keypad**	-	-
14	X1	Heavy duty connectors	16A 400V	YE68061640100
15	X2	Terminal board	2.5mm ²	YE61250040000
16	-	Terminal board	2.5mm ² PE	YE61253500000
17	-	Terminal board	2.5mm ²	YE61250040000
18	-	Terminal board	2.5mm ² PE	YE61253500000
19	X3	Waterproof linker	250V 3P	YE62163000100
20	M	Blower**	10HP	-
21	Y1	Solenoid vavle*	230V 50/60Hz	YE32051800300
22	Y2	Solenoid vavle*	230V 50/60Hz	YE32212000000

* means possible broken parts.

** means easy broken part. and spare backup is suggested.

Please confirm the version of manual before placing the purchase order to guarantee that the item number of the spare part is in accordance with the real object.