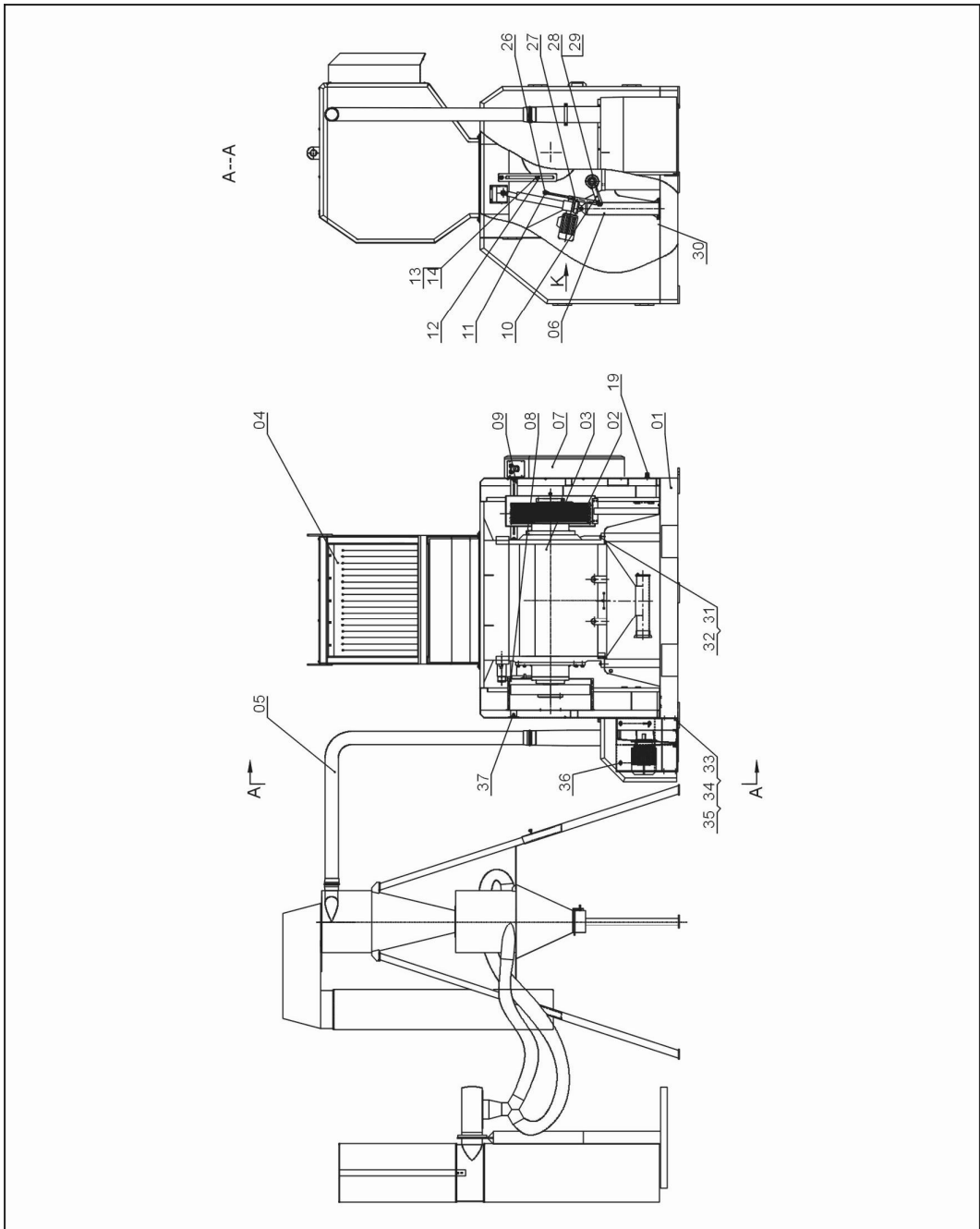


2.3 Assembly Drawing

2.3.1 Assembly Drawing



Note: Please refer to 2.3.2 material list about the parts code.

Picture 2-8: Assembly Drawing

2.3.2 Parts List

Table 2-1: Parts List

No.	Name	Part No.	
		SG-5060	SG-5090
1	Machine assembly	-	-
2	Main drive unit	YM90503000000	YM90503000000
3	Granulating chamber assembly	BH85506000010	BH85509000010
4	Feed-in box assembly	-	-
5	Feeding assembly	YM30304000000	YM30304000000
6	Electric handspike motor	YM90503000000	YM90503000000
7	Power distribution unit	-	-
8	Flywheel guard	-	-
9	Fixed board of outer shell	BL55509000040	BL55509000040
10	Pneumatic spring swing arm	BH10509000210	BH10509000210
11	Pneumatic spring dowel	BH10509001210	BH10509001210
12	Machine side connecting plate	BL55509000420	BL55509000420
13	Low hinge pin of connecting plate	BH10509000510	BH10509000510
14	Connecting plate washer	BL55509000620	BL55509000620
15	Small junction box	-	-
16	Small junction box cover	-	-
17	Connection board of control box	-	-
18	Control box of electromotoin handspike	-	-
19	Water pipe connector	-	-
20	Cross socket head cap screw M5 × 10	YW63051000000	YW63051000000
21	Flat gasket 2-5	YW66051300000	YW66051300000
22	Hexagon head screw M8 × 30	YW60082000200	YW60082000200
23	Falt gasket 2-8	YW66081600000	YW66081600000
24	Cross socket head cap screw M4 × 10	-	-
25	Flat gasket 2-4	YW66041200000	YW66041200000
26	Cotter pin 3 × 25	-	-
27	Compressed pneumatic spring	YW01441600000	YW01441600000
28	Hexagon head screw M12 × 55	YW61125500000	YW61125500000
29	Falt gasket 2-12	YW66123200100	YW66123200100
30	Hexagon nut M12	YW64012100000	YW64012100000
31	Hexagon head screw M12 × 40	YW61124000000	YW61124000000
32	Elastic washer 12	YW65012000000	YW65012000000
33	Hexagon head screw M16 × 55	YW60165500000	YW60165500000
34	Flat gasket 2-16	YW66164000000	YW66164000000
35	Elastic washer 16	YW65016000000	YW65016000000

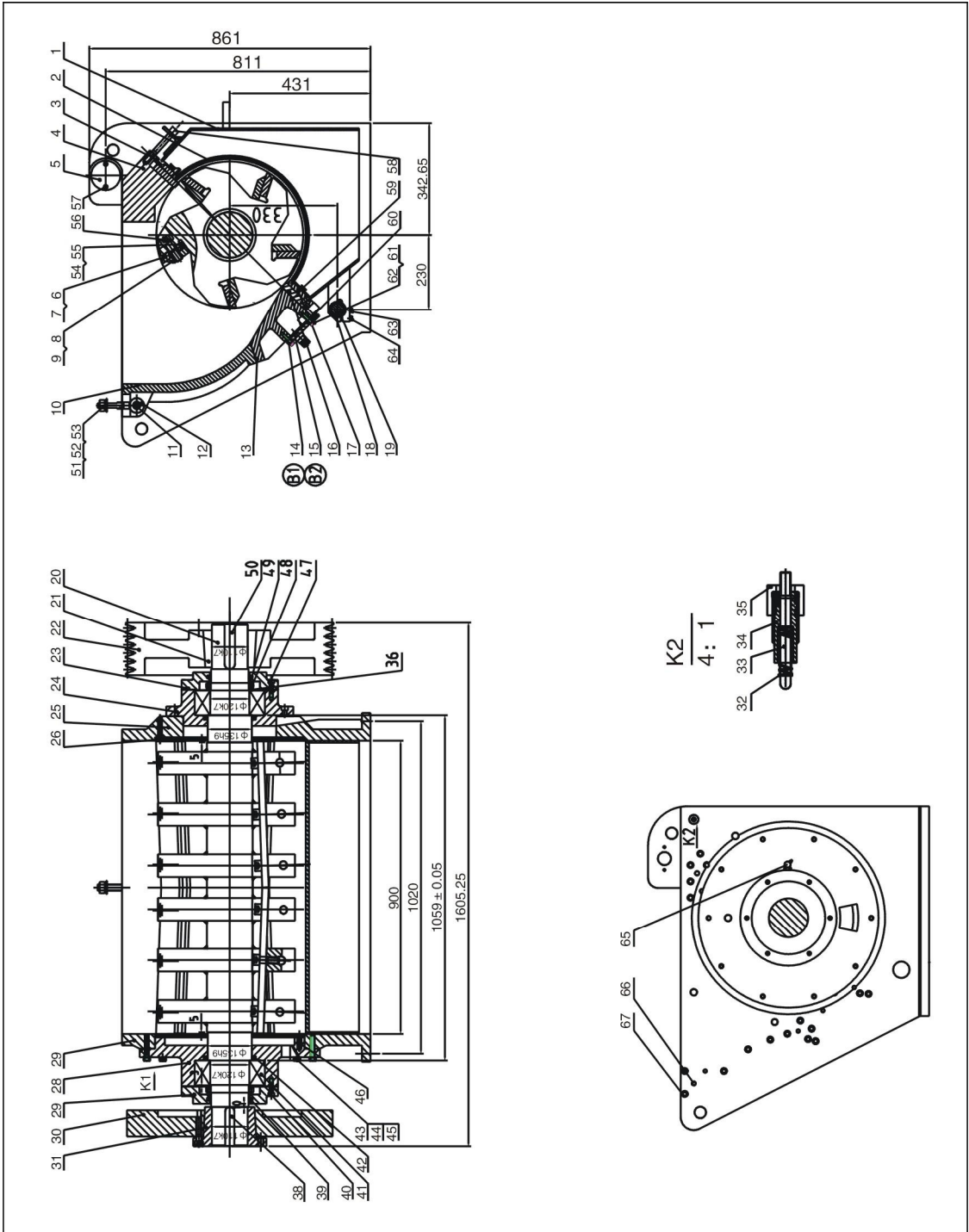
No.	Name	Part No.	
		SG-5060	SG-5090
36	Hexagon nut M16	YW64001600000	YW64001600000
37	Hexagon head screw M12 × 30	-	-
38	Blade adjuster	-	-

* means possible broken parts.

** means easy broken part. and spare backup is suggested.

Please confirm the version of manual before placing the purchase order to guarantee that the item number of the spare part is in accordance with the real object.

2.3.3 Cutting Chamber and Knives Rest



Picture 2-9: Cutting Chamber and Knives Rest

2.3.4 Cutting Chamber and Knives Rest Parts List

Table 2-2: Cutting Chamber and Knives Rest Parts List

No.	Name	Quantity	
		SG-5060	SG-5090
1	Assembly of screen bracket	BL55506000120	BL55509000120
2	Screen**	BL55506000020	BL55509000020
3	Press plate for fixed blade 1	BH10506000310	BH10509000310
4	Front block	BW30506000210	BW30509000210
5	Hinge shaft	BH10509001410	BH10509001410
6	Rotating blade 1	YW42506000000	YW42509000000
7	Rotating blade 2	YW42506000000	YW42509000200
8	Press plate for rotating blade 1	BH10506000610	BH10509007110
9	Press plate for rotating blade 2	BH10506001310	BH10509007210
10	Rear top plate	BW30506000710	BW30509001110
11	Hinge pin	BH10506000810	BH10509001610
12	Locking bolt of feed box	BH10509000010	BH10509000010
13	Rear lower plate	BW30506000910	BW30509001410
14	Circulation water cover	-	-
15	Washer for circulation water cover	-	-
16	Fixed blade	YW42506001200	YW42509000300
17	Press plate for fixed blade 2	BH10506001310	BH10509001510
18	Installation shaft sleeve of screen bracket	BH12509001610	BH12509001610
19	Installation shaft of screen bracket	BH10509001710	BH10509001710
20	Shaft sleeve	BH11506000142	BH11509000042
21	Taper sleeve for pulley	YW30454500000	YW30501100000
22	Big belt pulley	YW30630400000	YW30224600000
23	Right bearing cover	BW30509002110	BW30509002110
24	Right bearing cover	BW30509002210	BW30509002210
25	Right block	BW30509000310	BW30509000310
26	Right and left material fender	YW45509002400	YW45509002400
27	Left block	BW30509002510	BW30509002510
28	Left bearing block	BW30509002710	BW30509002710
29	Left bearing block	BW30509002810	BW30509002810
30	Flywheel	BW30509003010	BW30509003010
31	Taper sleeve for flywheel	BW30509002910	BW30509002910
32	Position fixation spring	YW01509003100	YW01509003100
33	Position fixation spring dowel 3 for	BH10509003210	BH10509003210
34	Position fixation spring dowel 2 for	BH10509003410	BH10509003410
35	Position fixation spring dowel 1 for	BH10509003310	BH10509003310
36	Bearing guard	BL55509003520	BL55509003520

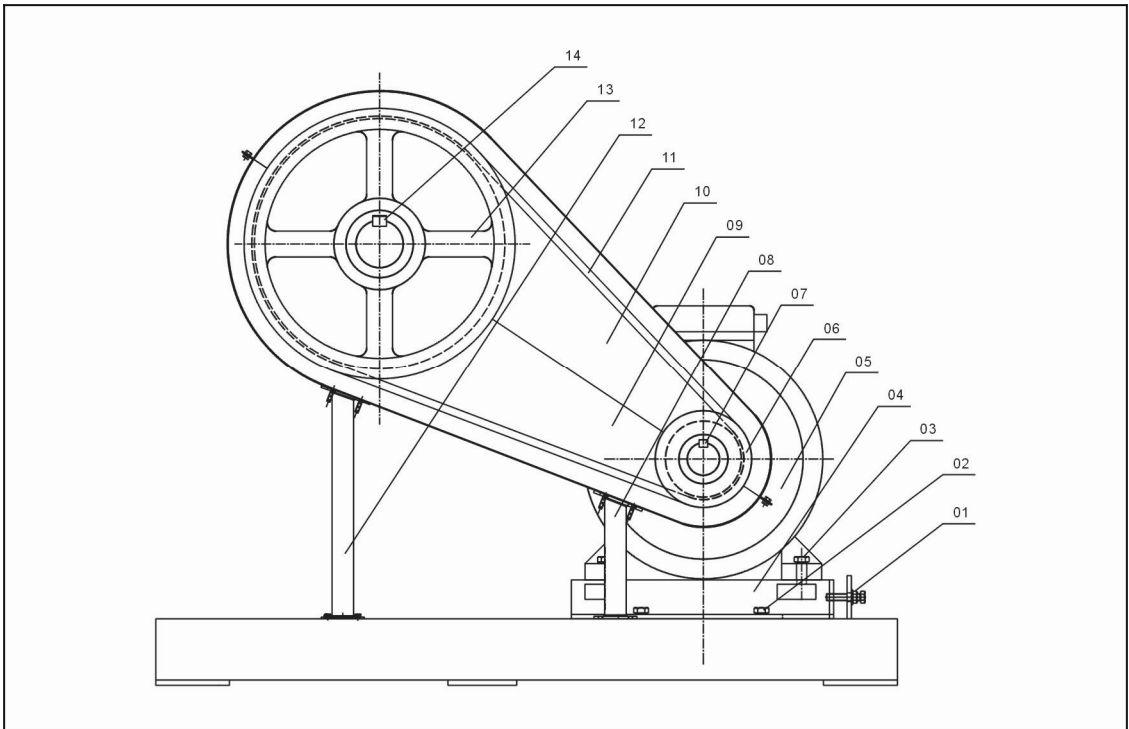
No.	Name	Quantity	
		SG-5060	SG-5090
37	-	-	-
38	Plain parallel keys C3×118	YW69281100000	YW69281100000
39	Felt ring120	-	-
40	Hexagon socket head cap screws M10×40	YW61104000000	YW61104000000
41	Self – aligning roller bearing 23224CE4	YW11232200000	YW11232200000
42	Self adjusting lip rubber sealed bearing	YR20161300000	YR20161300000
43	Hexagon screw bolt M12×60	YW60126000100	YW60126000100
44	Flat washer12*	YW66123200100	YW66123200100
45	Spring washer12	YW65012000000	YW65012000000
46	Slotted countersunk head screws M12×30	YW61123000000	YW61123000000
47	Hexagon socket head cap screws M12×45	YW61124500000	YW61124500000
48	Tab washers for round nut 120	YW09120000000	YW09120000000
49	Small round nuts M120×2	YW64120200000	YW64120200000
50	Plain parallel keys C32×138	YW69281300000	YW69281300000
51	Hexagon nut M20	YW64200200000	YW64200200000
52	Flat washer 20*	YW66102000000	YW66102000000
53	Spring washer 20	YW65020000000	YW65020000000
54	Hexagon headed bolt M10×35	YW60103500200	YW60103500200
55	Hexagon nut M10	YW64001000300	YW64001000300
56	Hexagon socket head cap screws M20×65	YW61206500000	YW61206500000
57	Hexagon socket head cap screws M6×30	YW61063000200	YW61063000200
58	Hexagon socket head cap screws M16×120	YW61069000100	YW61069000100
59	Hexagon headed bolt M12×50	YW60125000000	YW60125000000
60	Hexagon headed bolt M10×50	YW60105000000	YW60105000000
61	Hexagon socket head cap screws M8×40	YW61084000000	YW61084000000
62	Flat washer 8*	YW66081900000	YW66081900000
63	Hexagon socket head cap screws M12×30	YW61123000000	YW61123000000
64	Hexagon socket head cap screws M8×50	YW61085000000	YW61085000000
65	Oil cup with connector	YW04010100000	YW04010100000
66	Parallel pin 10×50	YW09105000000	YW09105000000
67	Hexagon socket head cap screws M12×50	YW61125000000	YW61125000000

* means possible broken parts.

** means easy broken part. and spare backup is suggested.

Please confirm the version of manual before placing the purchase order to guarantee that the item number of the spare part is in accordance with the real object.

2.3.5 Transmission Parts



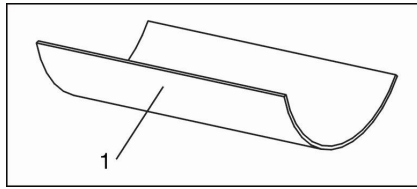
Picture 2-10: Transmission Parts

2.3.6 Transmission Parts List

Table 2-3: Transmission Parts List

No.	Name	Quantity	No.	Name	Quantity
1	Adjusting nut	4	8	Short stand of belt pulley shield	1
2	Motor installation base screw	4	9	Underpart of belt pulley shield	1
3	Motor fixing screw	4	10	Upperpart of belt pulley shield	1
4	Motor installation base	1	11	Narrow V belt	4-6
5	Motor	1	12	Long stand of belt pulley shield	1
6	Small belt pulley	1	13	Small belt pulley	1
7	Flat key	1	14	Flat key	1

2.3.7 Screen



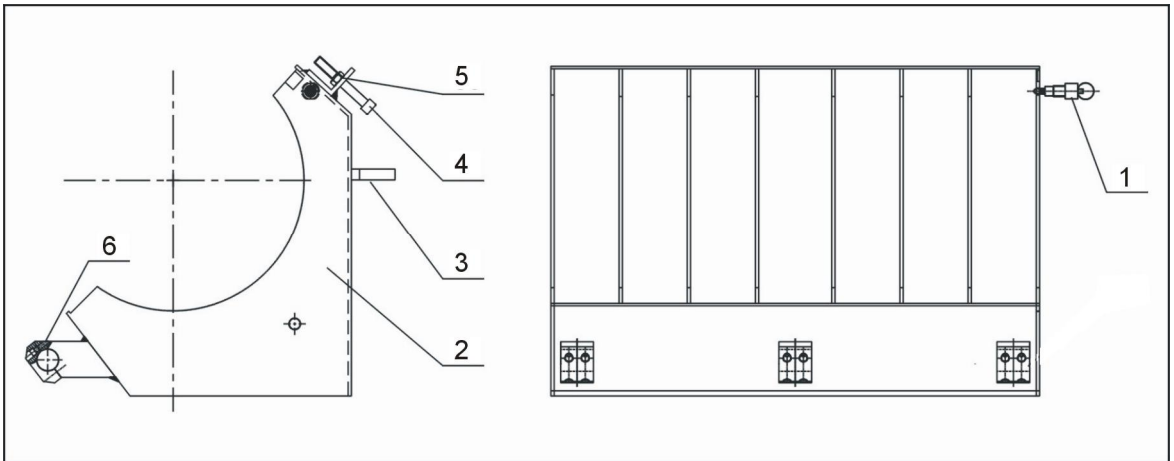
Picture 2-11: Screen

2.3.8 Screen Parts List

Table 2-4: Screen Parts List

No.	Name	Quantity
1	Screen	1

2.3.9 Screen Bracket



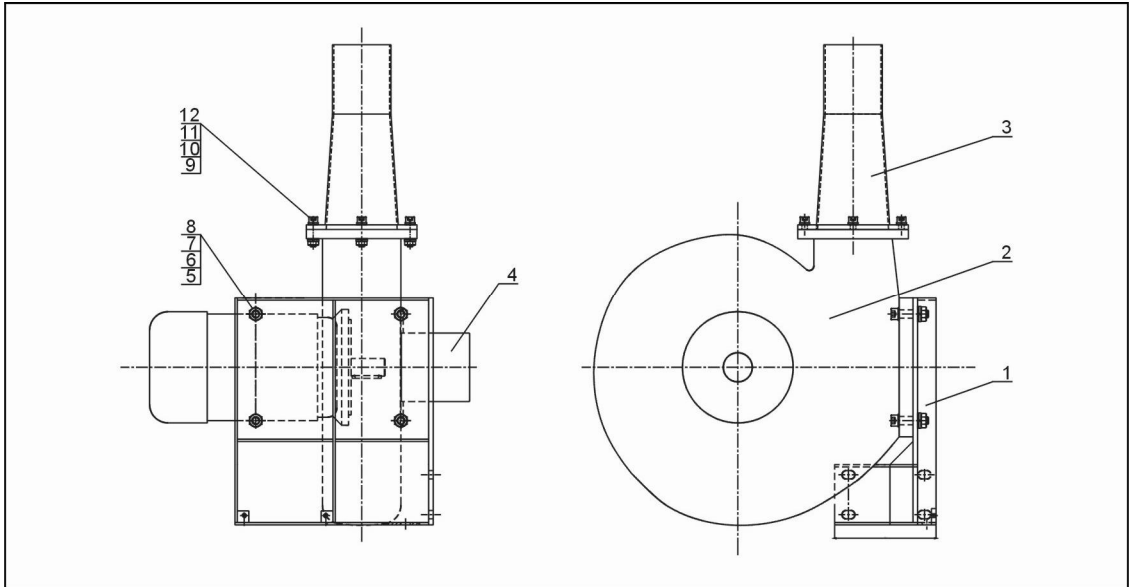
Picture 2-12: Screen Bracket

2.3.10 Screen Bracket Parts List

Table 2-5: Screen Bracket Parts List

No.	Name	Quantity
1	storage box	1
2	Knob	1
3	Knob	1
4	Inner hexagonal circular head screw	5
5	Hexnut	5
6	Inner hexagonal circular head screw	12

2.3.11 Blower



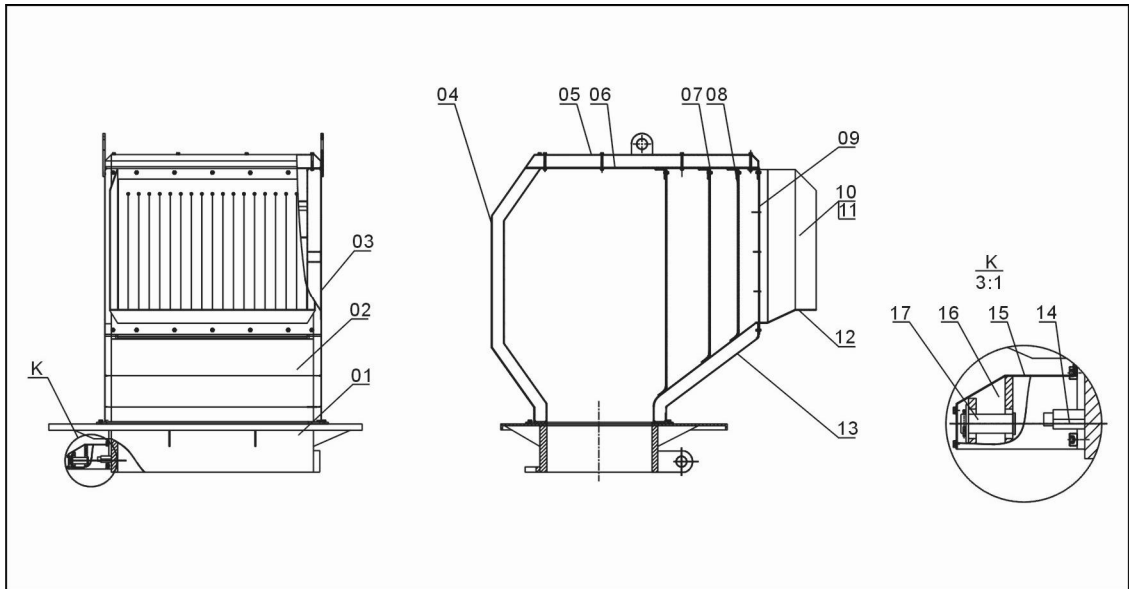
Picture 2-13: Blower

2.3.12 Blower Parts List

Table 2-6: Blower Parts List

No.	Name	Quantity
1	Feeding blower base	1
2	High pressure blower 4kW	1
3	Blower outlet pipe connection	1
4	Blower inlet pipe connection	1
5	Inner hexagon screw M16×70	4
6	Flat washer 16	4
7	Elastic washer 16	4
8	Hexnut M16	4
9	Inner hexagon screw M12×30	4
10	Flat washer 12	4
11	Elastic washer 12	4
12	Hexnut M12	4

2.3.13 Feed-in Box, Material Check Board Inlet



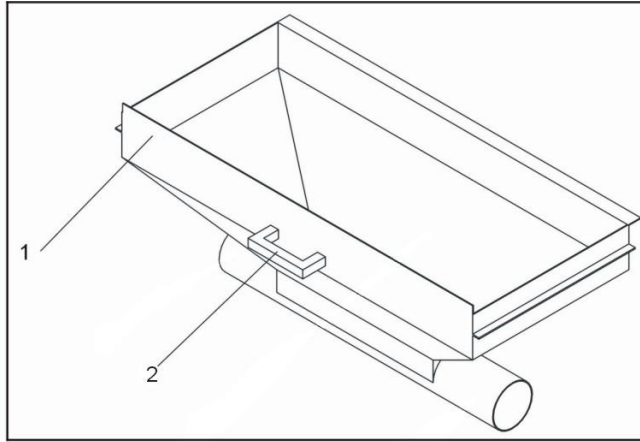
Picture 2-14: Feed-in Box, Material Check Board Inlet

2.3.14 Feed-in Box, Material Check Board Inlet Parts List

Table 2-7: Feed-in Box, Material Check Board Inlet Parts List

No.	Name	Quantity	No.	Name	Quantity
1	Cervical parts of cutting chamber	1	10	Left side plate of feed port	1
2	Feed-in box body	1	11	Right side plate of feed port	1
3	Left and right side plate	2	12	Bottom plate of feed port	1
4	Back outside plate	1	13	Front outside plate	1
5	Upper head plate	1	14	Plank pin shaft	1
6	Inner upper head plate	1	15	Pin shaft cover of electromotion handspike	1
7	Layering	3	16	Pin shaft frame of electromotion handspike	1
8	Rubberized strip	3	17	Pin shaft of electromotion handspike	1
9	Feed port frame	1			

2.3.15 Storage Box



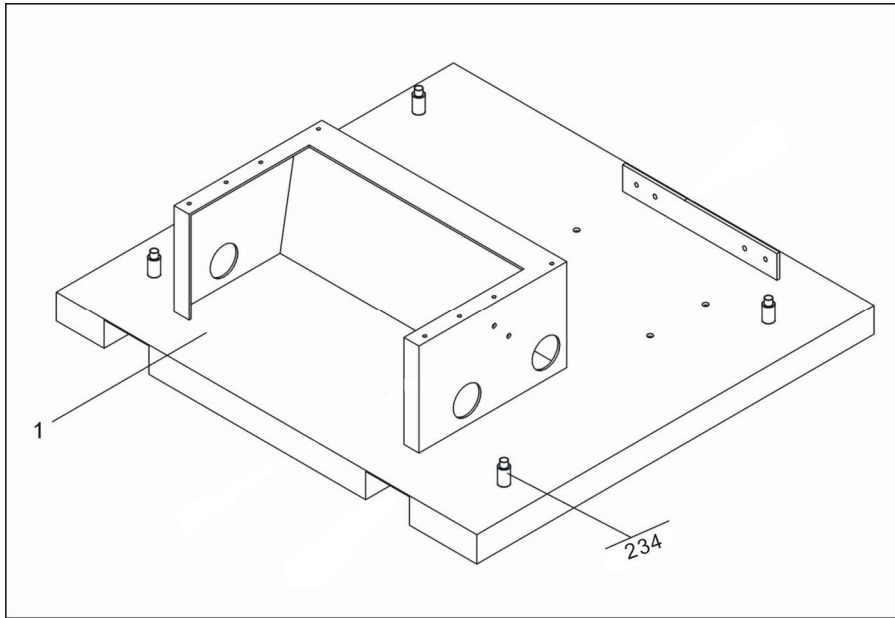
Picture 2-15: Storage Box

2.3.16 Storage Box Parts List

Table 2-8: Storage Box Parts List

No.	Name	Quantity
1	Storage box	1
2	Knob	1

2.3.17 Mainbody



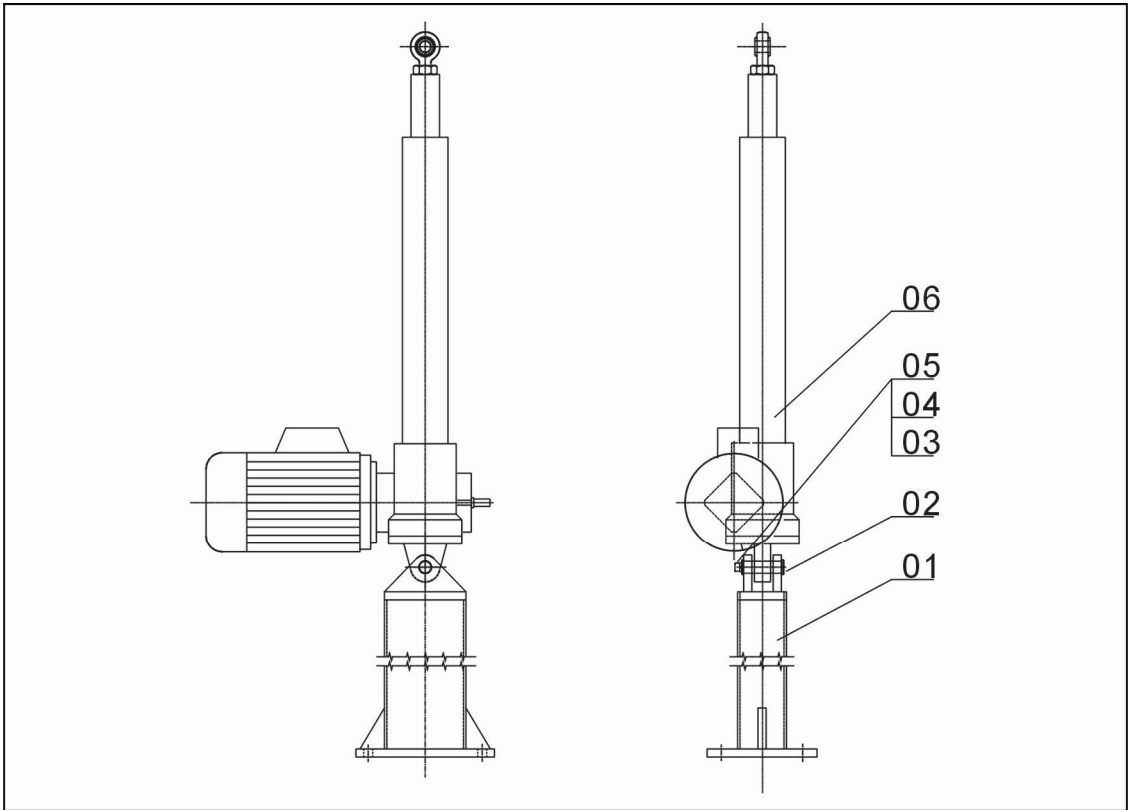
Picture 2-16: Mainbody

2.3.18 Mainbody Parts List

Table 2-9: Mainbody Parts List

No.	Name	Quantity
1	Base	1
2	Sleeve	4
3	Washer	4
4	Bottom mat	4

2.3.19 Electrical Handspike



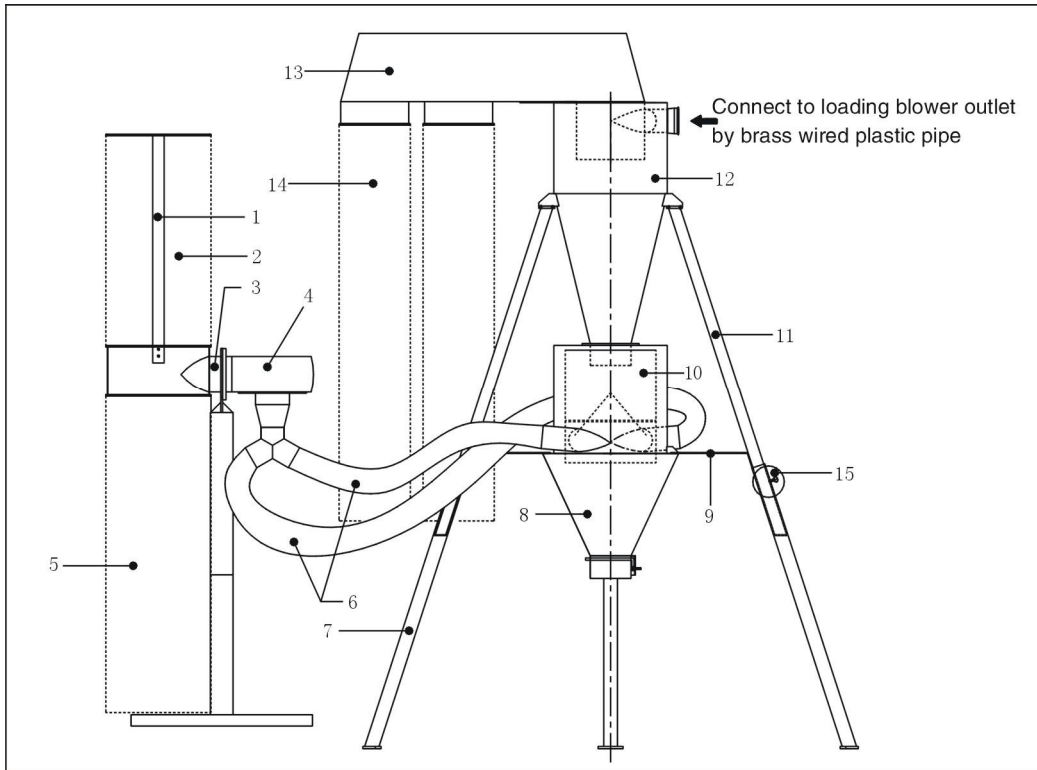
Picture 2-17: Electrical Handspike

2.3.20 Electrical Handspike Parts List

Table 2-10: Electrical Handspike Parts List

No.	Name	Quantity
1	Installation base	1
2	Electromotion handspike lower pin shaft	1
3	Inner hexagonal circular head screw M6×15	1
4	Big washer $\Phi 18/\Phi 6$	1
5	Standard elastic washer 6	1
6	Electromotion handspike	1

2.3.21 Cyclone and Dust Remove Device



Picture 2-18: Cyclone and Dust Remove Device

2.3.22 Cyclone and Dust Remove Device Parts List

Table 2-11: Cyclone and Dust Remove Device Parts List

No.	Name	Quantity
1	Cloth bag support1	1
2	Dust collective bag3(gauze 450)	1
3	(6-inch)blower and cloth bag support	1
4	6-inch blower(750W)	1
5	Dust collective bag2(thick cotton fabric)	1
6	6-inch steel wired soft pipe	2
7	Cyclone separator bottom support	3
8	Dust separator and bottom hopper	1
9	Tightener	3
10	Big and small barrels of dust separator	1
11	Upper support of Cyclone separator	3
12	Mainbody of cyclone separator	1

No.	Name	Quantity
13	Air outlet pipe of cyclone separator	1
14	Dust collective bag1 (gauze450)	2
15	Upper and bottom support pins for cyclone separator	3