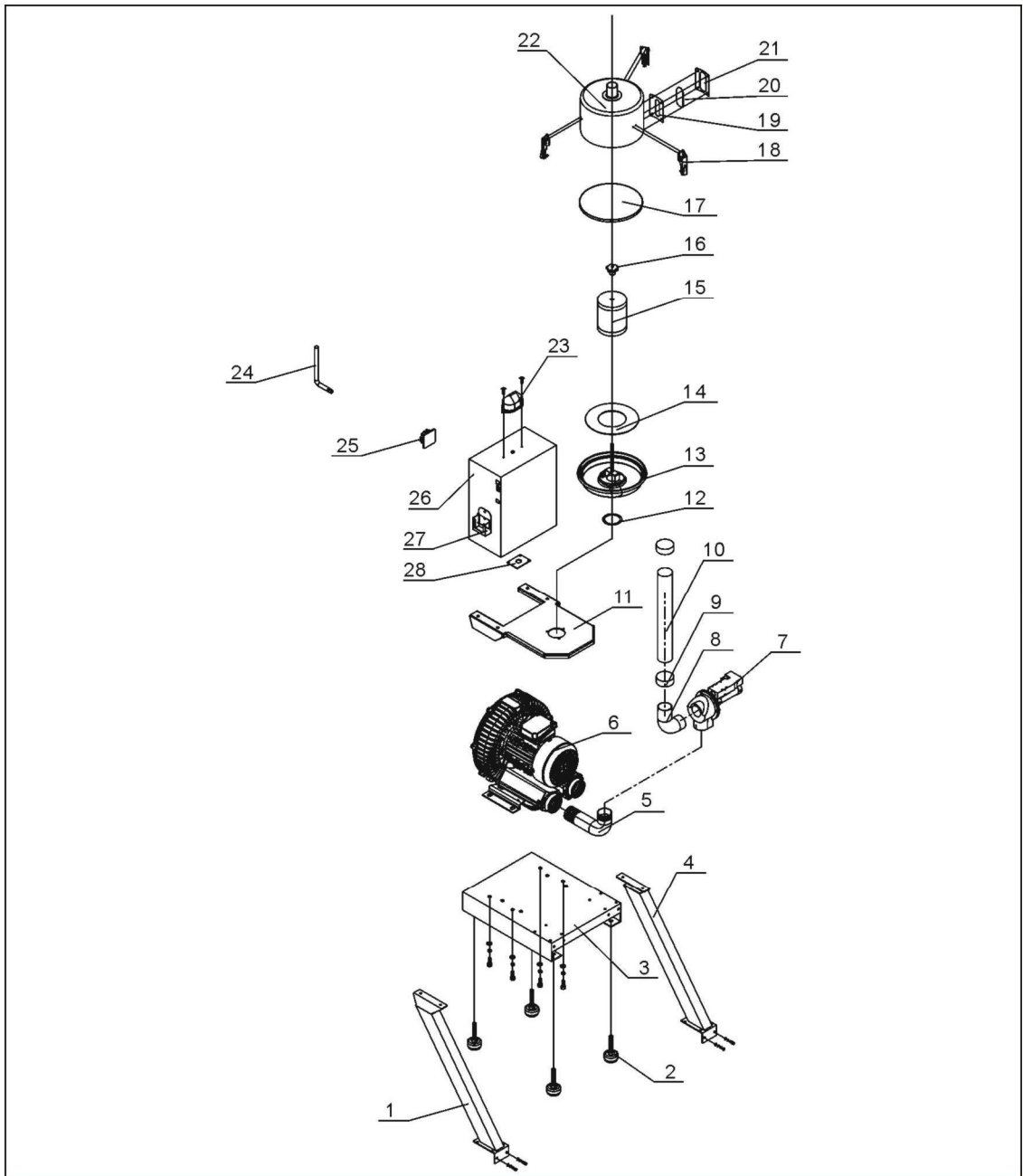


## 2.2 Assembly Drawing

### 2.2.1 Assembly Drawing (SAL-1HP/2HP-UG)



Remarks: Please refer to material list 2.2.2 for specific explanation of the Arabic numbers in parts drawing.

Picture 2-4: Assembly Drawing (SAL-1HP/2HP-UG)

## 2.2.2 Parts List (SAL-1HP/2HP-UG)

Chart 2-1: Parts List (SAL-1HP/2HP-UG)

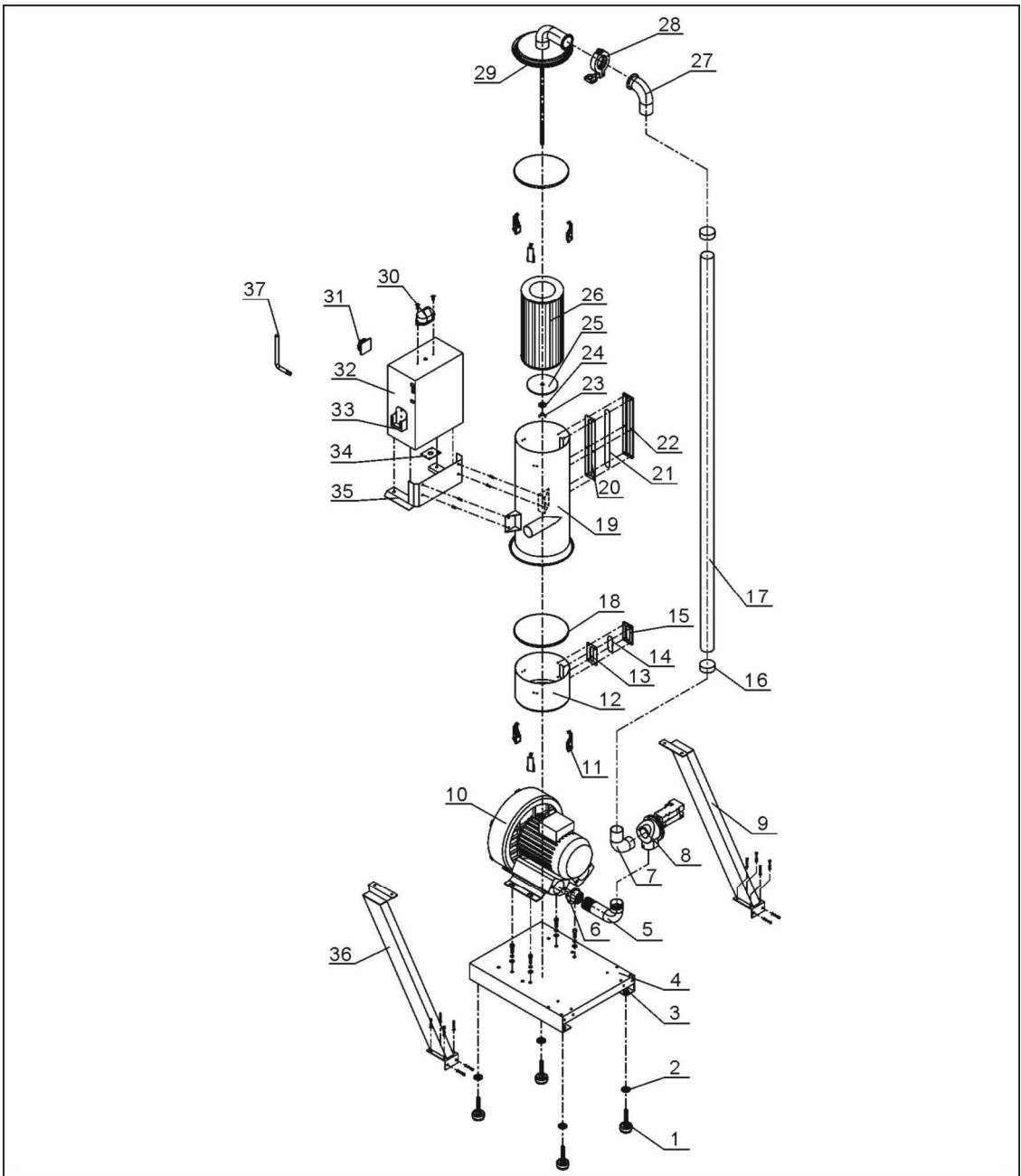
No.	Name	Part No.	No.	Name	Part No.
1	Left standing pole	-	15	Air filter*	YR50708000000
2	Anti-vibration pad φ50	YW03005000000	16	Star nut 5/16"	YW09051600000
3	Base	-	17	Filter container seal ring**	YR10708000100
4	Right standing pole	-	18	Spring clip*	YW02003000400
5	Air inlet pipe	-	19	Seal ring	YW09000000400
6	High pressure pipe 1HP	BM30031000150	20	Acryl	YR40001200100
	High pressure pipe 2HP	BM30042000050	21	Lron sheet of 4-hole sight glass	YR40000400000
7	Vacuum breaking diaphragm valve 1.5"	BY20015000050	22	Filter barrel	-
8	Vacuum breaking diaphragm valve pipe connector	-	23	Alarm light	YE83305100200
9	Clip 2"	YW02000200000	24	Dedicated wrench for anti-theft screw	JT40450000000
10	Steel wired plastic pipe 1.5"	YR60157000000	25	Main switch *	YE10210300000
11	Filter fixing bracket	-	26	Control box	-
12	Filter barrel base fastener	-	27	Controller holder	BL21000100420
13	Filter barrel lid assembly	-	28	Fixing plate	-
14	Filter barrel lid barrel	YR10030000000			

\* means possible broken parts.

\*\* means easy broken part. and spare backup is suggested.

Please confirm the version of manual before placing the purchase order to guarantee that the item number of the spare part is in accordance with the real object.

### 2.2.3 Assembly Drawing (SAL-3.5HP/5HP-UG)



Remarks: Please refer to material list 2.2.4 for specific explanation of the Arabic numbers in Pparts drawing.

Picture 2-5: Assembly Drawing (SAL-3.5HP/5HP-UG)

## 2.2.4 Parts List (SAL-3.5HP/5HP-UG)

Chart 2-2: Parts List (SAL-3.5HP/5HP-UG)

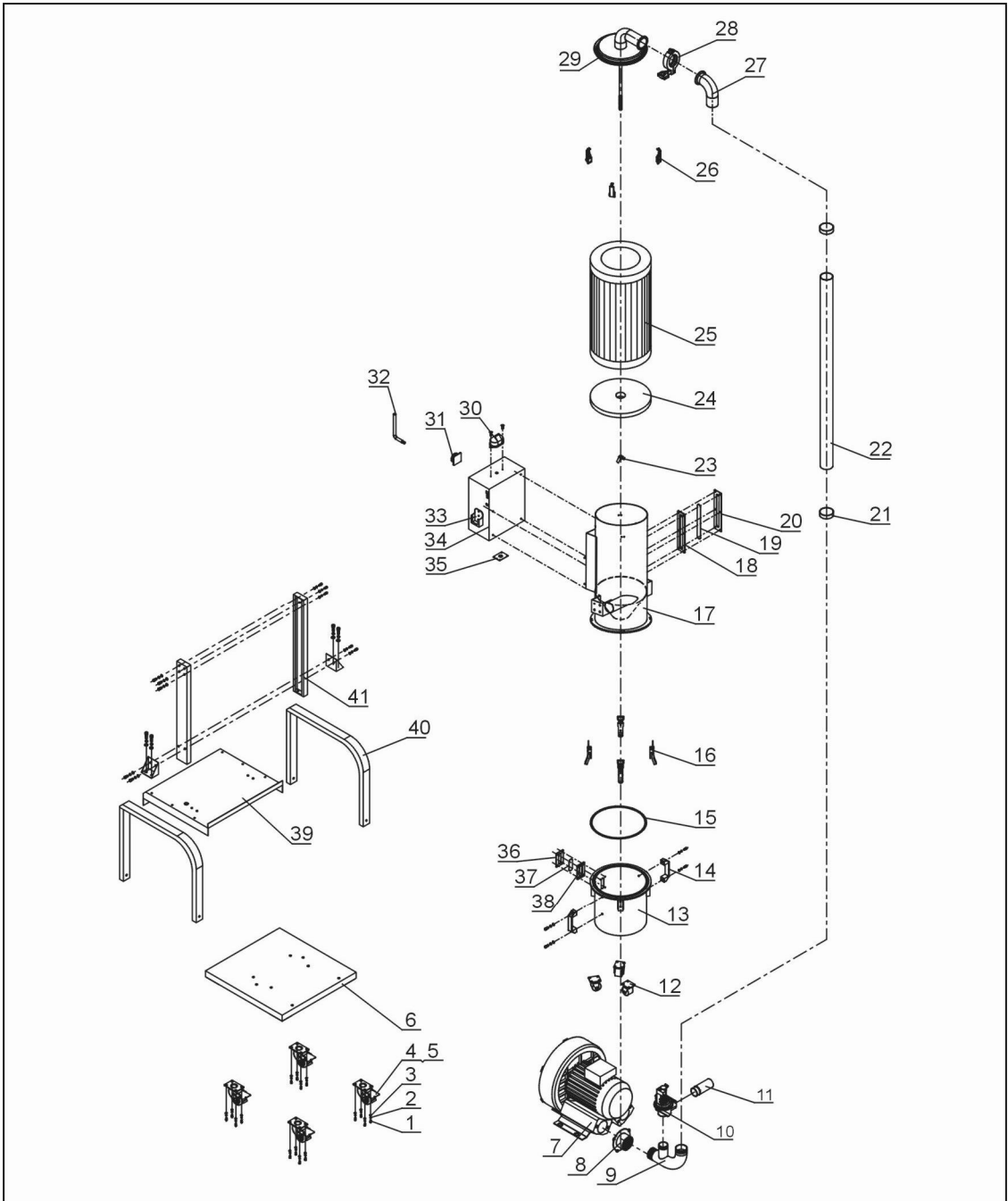
No.	Name	Part No.	No.	Name	Part No.
1	Anti-vibration pad $\Phi$ 50	YW03005000000	19	Filter barrel assembly	-
2	Filter barrel lid 8	YW66082200100	20	Seal ring	YR40000600000
3	Nut M12	YW64012100000	21	Acryl	YR40001200000
4	Base	BL21003500120	22	Lron sheet of 6-hole sight glass	YW09000600000
5	Air inlet fastener	BL26003506520-	23	Butterfly nut 5/16"	YW69051600000
6	Blower flange	-	24	Filter fixing plate 8	YW66082200100
7	Vacuum breaking diaphragm valve pipe connector	-	25	Stator	BL21003500520
8	Vacuum breaking diaphragm valve 1.5"	BY20015000050	26	Air filter ADC2	YR50181100000
9	Right standing column	-	27	Air suction pipe	-
10	High pressure pipe 3.5HP	BM30053500050	28	Coupling clip	YW07000200000
	High pressure pipe 5HP	BM30055000050	29	Filter barrel lid assembly	-
11	Spring clip*	YW02003000400	30	Alarm light	YE83305100200
12	Dust collection bin	BL26003507021	31	Main power switch	YE10210300000
13	Seal ring	YR40000400000	32	Control box	-
14	Acryl	YR40001200100	33	Controller holder	-
15	Lron sheet of 4-hole Sight glass	YW09000000400	34	Fixing plate	-
16	Clip 2.5"	YW02002500000	35	Insulation material	-
17	Steel wired plastic Pipe 2"	YR60205000100	36	Dedicated wrench for anti-theft screw	JT40450000000
18	Dust collecting barrel Seal ring*	YR10708000100	37	Left standing pole	-

\* means possible broken parts.

\*\* means easy broken part. and spare backup is suggested.

Please confirm the version of manual before placing the purchase order to guarantee that the item number of the spare part is in accordance with the real object.

## 2.2.5 Assembly Drawing (SAL-7.5HP/10HP-UG)



Remarks: Please refer to material list 2.2.6 for specific explanation of the Arabic numbers in parts drawing.

Picture 2-6: Assembly Drawing (SAL-7.5HP/10HP-UG)

## 2.2.6 Parts List (SAL-7.5HP/10HP-UG)

Chart 2-3: Parts List (SAL-7.5HP/10HP-UG)

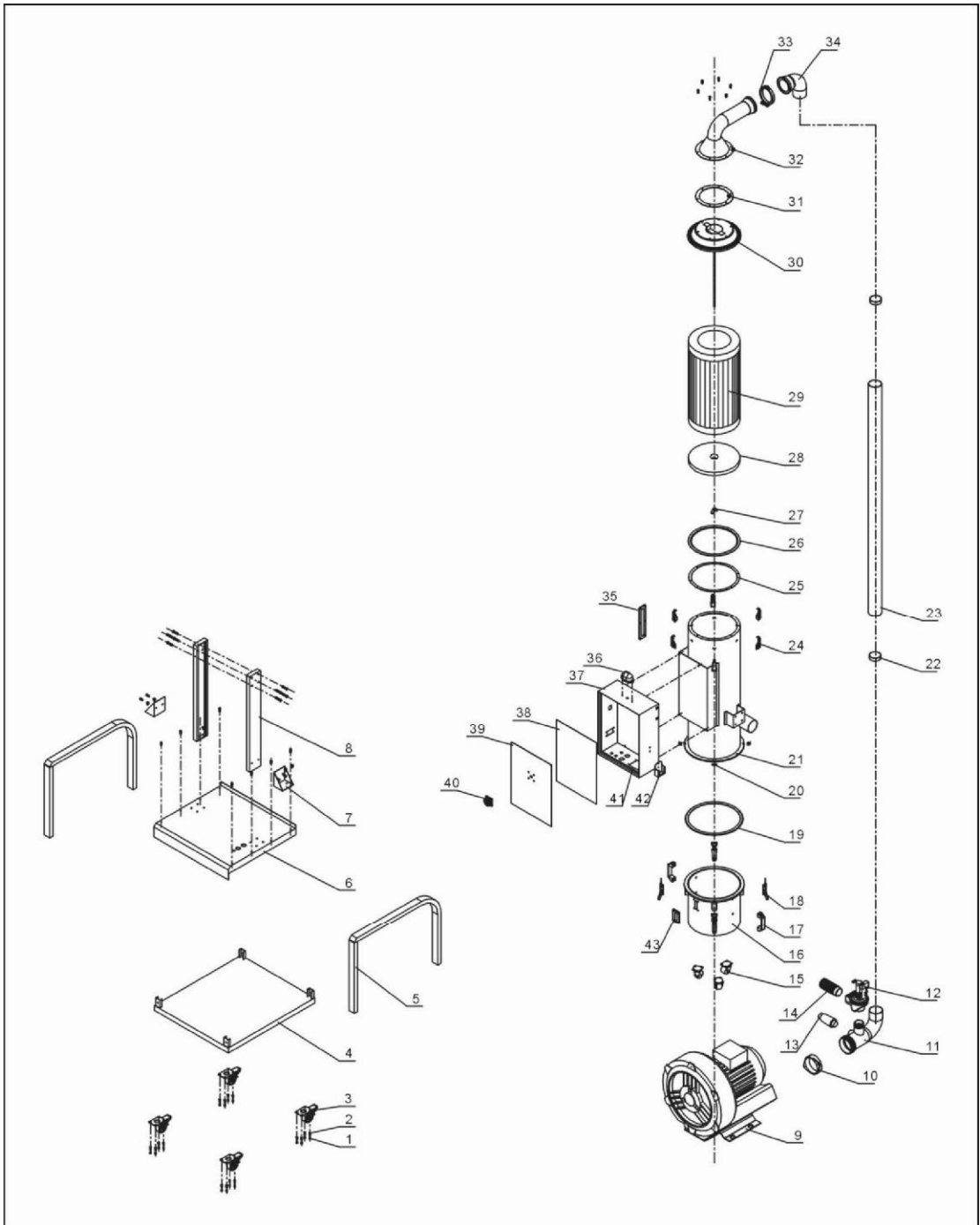
No.	Name	Part No.	No.	Name	Part No.
1	Outer hexagon bolt M6×16	YW60061600100	20	Six holes material window sheet iron	YW09000600000
2	Flat washer 6	YW66061300000	21	Stainless steel pipe bundle 3"	YW02000300000
3	Spring washer 6	YW65006000100	22	Wire hose 2.5"	YR60253000000
4	Braking caster 3"	YW03000300000	23	Butterfly nut 5/16"	YW69051600000
5	Freestyle caster 3"	YW03000300200	24	Filter stator	BL26007504720
6	Base	BL26007502721	25	Filter ADC22	YR50221400000
7	Single-stage high pressure blower 7.5HP	BM30075000050	26	Snap hook	YW02003000400
	Double-stage high pressure blower 7.5HP	YM30635500000	27	Air suction pipe	-
	Single-stage high pressure blower 10HP	BM30081000050	28	Pipe clamp	YW07002500600
	Double-stage high pressure blower 10HP	YM30637500000	29	Filter cover assembly	-
8	Blower flange	-	30	Alarm light	YE83305100200
9	Air inlet pipe	BL26007504920	31	Main power switch	YE10210300000
10	Vacuum diaphragm valve 2"	BY20500000050	32	Dedicated wrench for anti-theft screw	JT40450000000
11	Air refill filter screen	-	33	Handle box	BL26010241820
12	Caster 2.5"	YW03002500000	34	Control box	-
13	Dust collecting barrel	BL26007502421	35	Line jig fixed plate	-
14	Aluminum handle L120	BW20012000040	36	Four hole material window sheet iron	YW09000000400
15	Dust collecting fastener	-	37	Four hole material window fastener	YR40000400000
16	Big handle	YW02003000100	38	Four hole acryl	YR40001200100
17	Dust collecting barrel assembly	-	39	Intermediate plate	
18	Six holes material window fastener	YR40000600000	40	Stand	
19	Six holes acryl	YR40001200000	41	Filter barrel upright	

\* means possible broken parts.

\*\* means easy broken part. and spare backup is suggested.

Please confirm the version of manual before placing the purchase order to guarantee that the item number of the spare part is in accordance with the real object.

### 2.2.7 Assembly Drawing (SAL-20HP-UG)



Remarks: Please refer to material list 2.2.8 for specific explanation of the Arabic numbers in parts drawing.

Picture 2-7: Assembly Drawing (SAL-20HP-UG)

## 2.2.8 Parts List (SAL-20HP-UG)

Chart 2-4: Parts List (SAL-20HP-UG)

No.	Name	Part No.	No.	Name	Part No.
1	Hexagon screw bolt M6×16	YW60061600100	22	Stainless steel tube bundl 4"	YW02000400000
2	Flat gasket6	YW66082200100	23	Steel wired plastic pipe 3.5"	YR60003500000
3	Castor with brake 3"	YW03000300000	24	Snap hook	YW02003000400
	Mobile castor 3"	YW03000300200	25	Fastener for filtering barrel pressure block	-
4	Base	-	26	Fastener for filtering barrel	-
5	Supporting frame	-	27	Butterfly nut 5/16"	YW69051600000
6	Middle plate	-	28	Filter fixation sheet	BL26007504720
7	Pillar support	-	29	Filter	YR50226000000
8	Pillar of filter barrel	-	30	Filter barrel lid assembly	-
9	High-pressure blower 20HP	YM30092900000	31	Motor air inlet fastener	-
10	Blower flange	-	32	Air suction inlet	-
11	Air inlet fastener	-	33	Stainless steel pipe clamp 4"	YW07000400000
12	Vacuum separator SPDV-50	BY20500000050	34	Air suction pipe	-
13	Pressure relief valve RV-01	YW90000100000	35	Six holes material window	BH90000600050
14	Air refill filter screen	-	36	Alarm light	YE83305100200
15	Black castor 2"	YW03000200000	37	Control box	-
16	Dust collection bin	-	38	Control box bottom plate	-
17	Square aluminum handle L120	BW20012000040	39	Control box plate cover	-
18	Large handle	YW00121000100	40	Main power switch	YE10210300000
19	Fastener for dust collection barrel	-	41	Line jig fixed plate	-
20	Snap hook pothook	-	42	Handle box	-
21	Filter barrel assembly	-	43	Four hole material window	BH90000400050

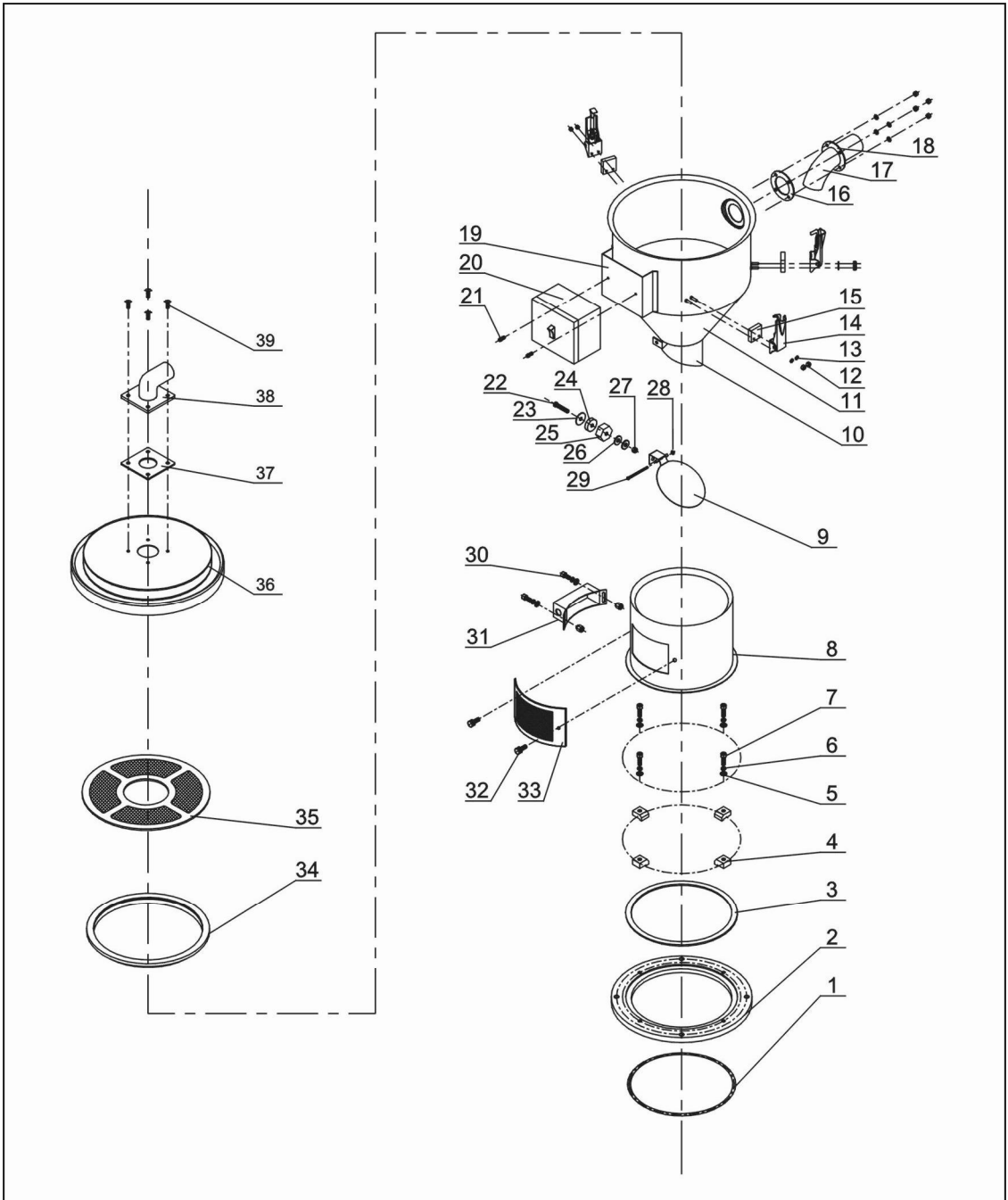
\* means possible broken parts.

\*\* means easy broken part. and spare backup is suggested.

Please confirm the version of manual before placing the purchase order to guarantee that the item number of the spare part is in accordance with the real object.



## 2.2.9 Assembly Drawing (SHR-6U/12U)



Remarks: Please refer to material list 2.2.10 for specific explanation of the Arabic numbers in parts drawing.

Picture 2-8: Assembly Drawing (SHR-6U/12U)

## 2.2.10 Parts List (SHR-6U/12U)

Chart 2-5: Parts List (SHR-6U/12U)

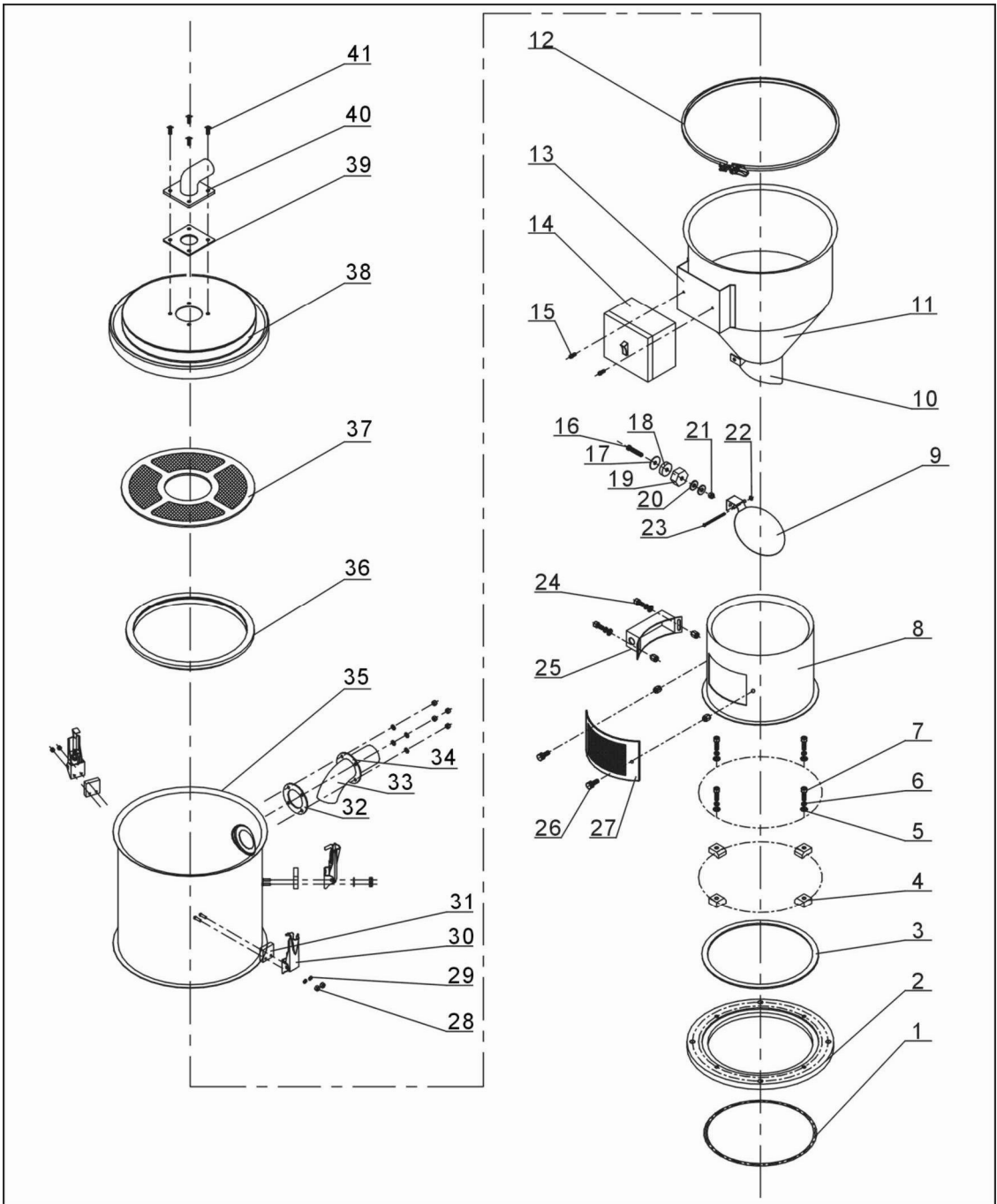
No.	Name	Part No.	No.	Name	Part No.
1	O-ring inner diameter Φ200×5.5	YR20205500000	21	Cross recess pan head screw M4×6	YW63040600000
2	Base	-	22	Cross recess pan head screw M6×20	YW63062000000
3	Base fastener	-	23	Magnet cover	-
4	Pressing piece	-	24	Permanent magnet Φ25×Φ7×7	YW90257700000
5	Flat washer 6	YW66061300000	25	Magnet set	-
6	Spring washer 6	YW65006000000	26	Flat washer 8×22	YW66082200100
7	Socket head cap screw M6×20	YW61062000200	27	Locknut M6	YW64000600200
8	Hopper fixed seat	-	28	Locknut M3	YW64000300000
9	Discharging plate	-	29	Cross recess pan head screw M3×40	YW63034000000
10	Discharging port	-	30	Socket head cap screw M6×10	YW63061000000
11	Material storage hopper	-	31	Sensor shell	-
12	Locknut M4×0.7	YW64040700100	32	Star knob	-
13	Flat washer 4	YW66040800000	33	ventilated window	-
14	Snap hook	YW02003000400	34	Hopper fastener	-
15	Snap hook pad	YR40000600300	35	Filter screen	-
16	material pipe fastener	-	36	Hopper cover	-
17	Material pipe	-	37	Air pipe fastener	YR10000000200
18	Material pipe stator	-	38	Air pipe	YR20001500000
19	Electrical cabinet base	-	39	Cross recess pan head screw M5×15	YW62051500000
20	Electrical cabinet	-			

\* means possible broken parts.

\*\* means easy broken part. and spare backup is suggested.

Please confirm the version of manual before placing the purchase order to guarantee that the item number of the spare part is in accordance with the real object.

### 2.2.11 Assembly Drawing (SHR-24U/36U)



Remarks: Please refer to material list 2.2.12 for specific explanation of the Arabic numbers in parts drawing.

Picture 2-9: Assembly Drawing (SHR-24U/36U)

## 2.2.12 Parts List (SHR-24U/36U)

Chart 2-6: Parts List (SHR-24U/36U)

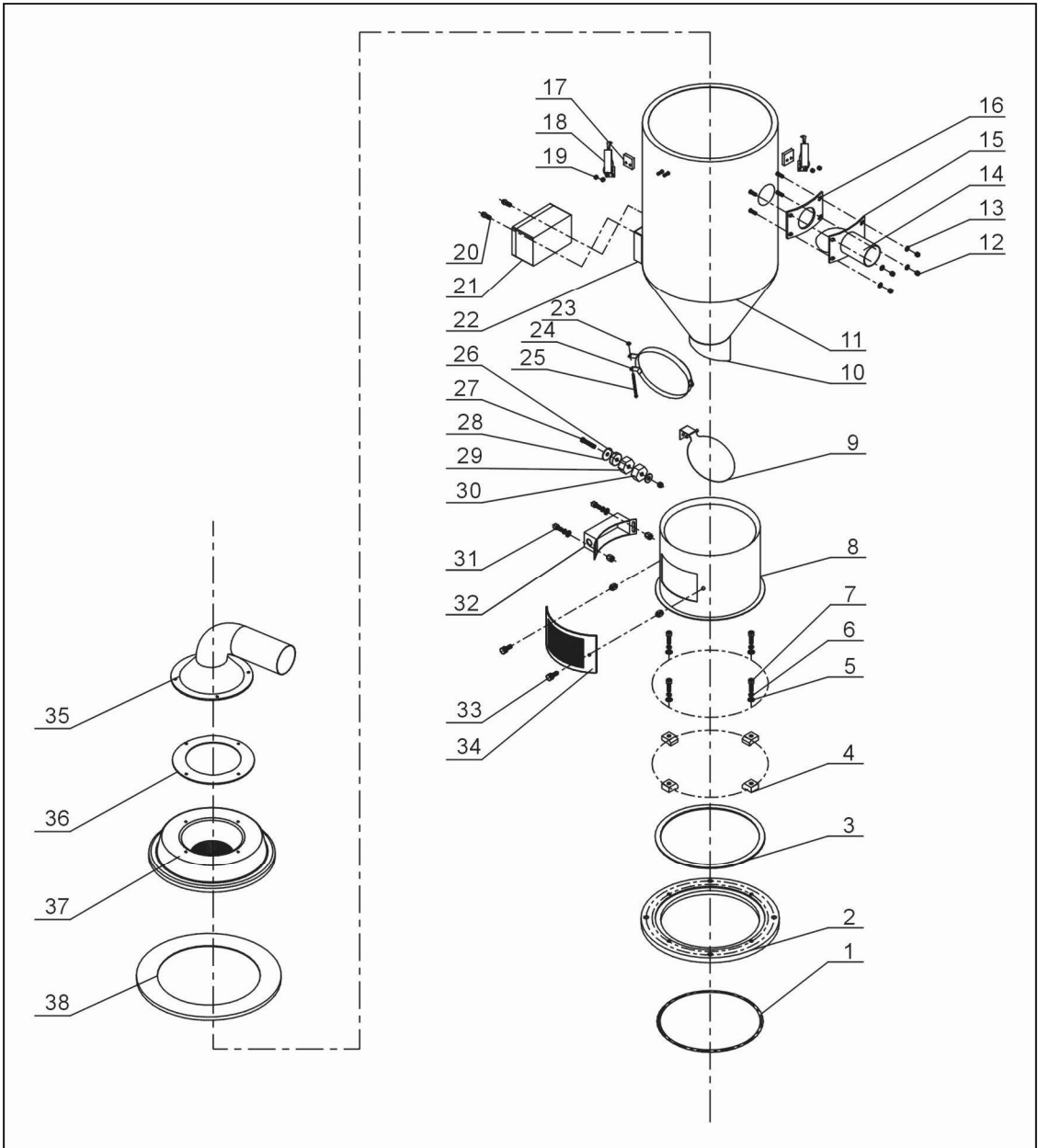
No.	Name	Part No.	No.	Name	Part No.
1	O-RING INNER DIAMETER Φ200×5.5	YR20205500000	22	Locknut M3	YW64000300000
2	Base	-	23	Cross recess pan head screw M3×40	YW63034000000
3	Base fastener	-	24	Socket head cap screw M6×10	YW63061000000
4	Pressing piece	-	25	Sensor shell	-
5	Flat washer 6	YW66061300000	26	Star knob	-
6	Spring washer 6	YW65006000000	27	ventilated window	-
7	Socket head cap screw M6×20	YW61062000200	28	Locknut M4×0.7	YW64040700100
8	Hopper fixed seat	-	29	Flat washer 4	YW66040800000
9	Discharging plate	-	30	Snap hook	YW02003000400
10	Discharging port	-	31	Snap hook pad	YR40000600300
11	Material storage hopper	-	32	material pipe fastener	-
12	Pipe bundle	-	33	Material pipe	-
13	Electrical cabinet base	-	34	Material pipe stator	-
14	Electrical cabinet	-	35	Enlarged hopper	-
15	Cross recess pan head screw M4×6	YW63040600000	36	Hopper fastener	-
16	Cross recess pan head screw M6×20	YW63062000000	37	Filter screen	-
17	Magnet cover	-	38	Hopper cover	-
18	Permanent magnet Φ25×Φ7×7	YW90257700000	39	Air pipe fastener	YR10002500000
19	Magnet set	-	40	Air pipe	-
20	Flat washer 8×22	YW66082200100	41	Cross recess pan head screw M5×15	YW62051500000
21	Locknut M6	YW64000600200			

\* means possible broken parts.

\*\* means easy broken part. and spare backup is suggested.

Please confirm the version of manual before placing the purchase order to guarantee that the item number of the spare part is in accordance with the real object.

### 2.2.13 Assembly Drawing (SHR-48U/96U)



Remarks: Please refer to material list 2.2.14 for specific explanation of the Arabic numbers in parts drawing.

Picture 2-10: Assembly Drawing (SHR-48U/96U)

## 2.2.14 Parts List (SHR-48U/96U)

Chart 2-7: Parts List (SHR-48U/96U)

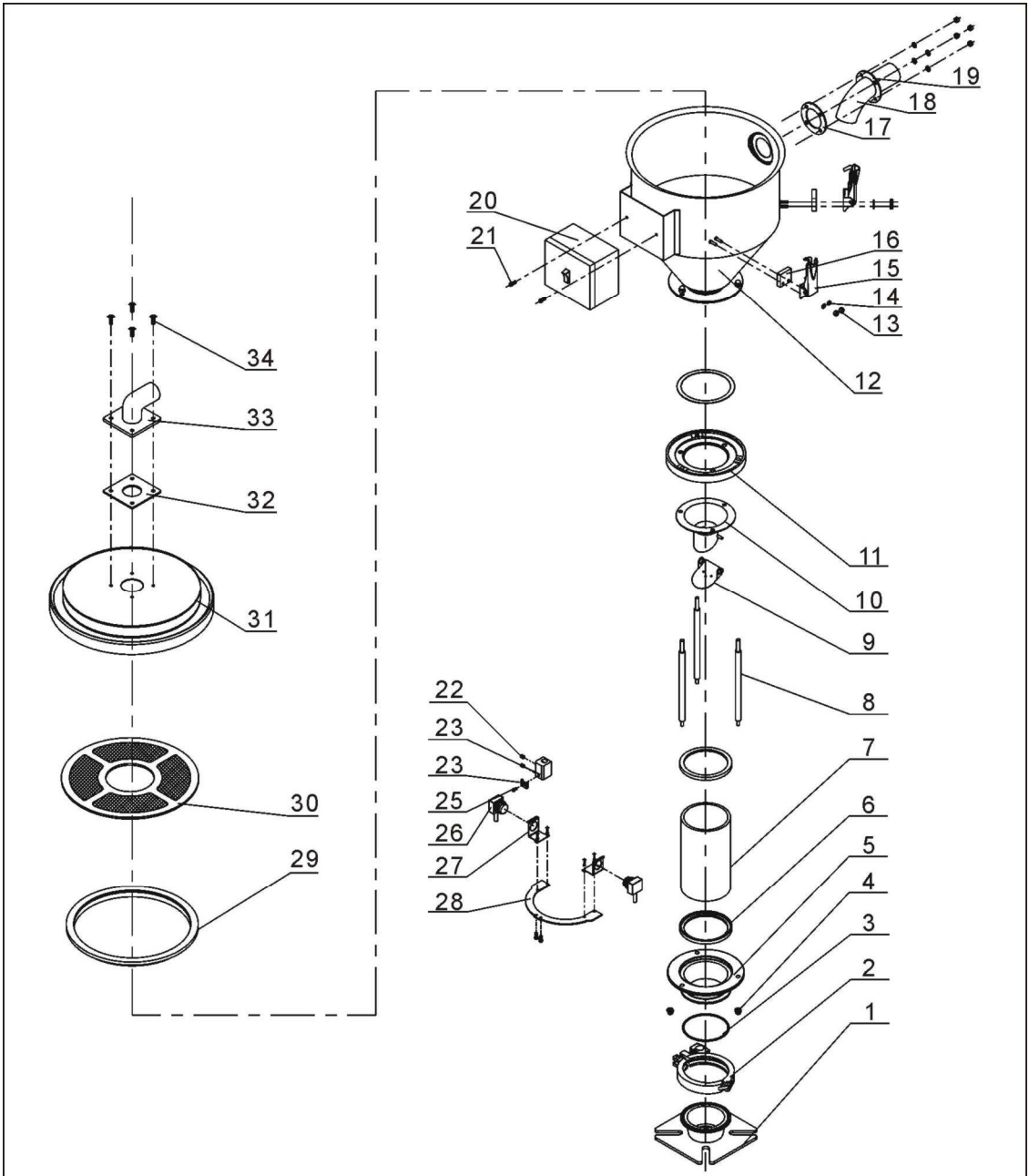
No.	Name	Part No.	No.	Name	Part No.
1	O-RING INNER DIAMETER Φ250×5.3	YR20255300000	20	Cross recess pan head screw M4×6	YW63040600000
2	Base	-	21	Electrical cabinet	YR40010000000
3	Base fastener	-	22	Electrical cabinet base	-
4	Pressing piece	-	23	Locknut M6	YW64000600200
5	Flat washer 6	YW66061300000	24	Fixed seat of discharging plate	-
6	Spring washer 6	YW65006000000	25	Cross recess pan head screw M6×40	-
7	Socket head cap screw M6×20	YW61062000200	26	Permanent magnet Φ25×Φ7×7	YW90257700000
8	Hopper fixed seat	-	27	Cross recess pan head screw M6×20	YW63062000000
9	Discharging plate	-	28	Magnet cover	-
10	Discharging port	-	29	Magnet set	-
11	Material storage hopper	-	30	Balancing weight	-
12	Locknut M5	YW64000500000	31	Socket head cap screw M6×20	YW63061000000
13	Flat washer 5	YW660051000100	32	Sensor shell	-
14	Material pipe	-	33	Star knob M6×15	-
15	Material pipe stator	-	34	ventilated window	-
16	material pipe fastener	-	35	Air pipe	-
17	Snap hook pad	YR40000600300	36	Air pipe fastener	-
18	Snap hook	YW02003000400	37	Hopper lid	-
19	Locknut M4×0.7	YW64040700100	38	Hopper cover fastener	YR10005000100

\* means possible broken parts.

\*\* means easy broken part. and spare backup is suggested.

Please confirm the version of manual before placing the purchase order to guarantee that the item number of the spare part is in accordance with the real object.

### 2.2.15 Assembly Drawing (SHR-6U-E)



Remarks: Please refer to material list 2.2.16 for specific explanation of the Arabic numbers in parts drawing.

Picture 2-11: Assembly Drawing (SHR-6U-E)

## 2.2.16 Parts List (SHR-6U-E)

Chart 2-8: Parts List (SHR-6U-E)

No.	Name	Part No.	No.	Name	Part No.
1	Installation flange	BL21060200820	18	Material pipe	-
2	3" stainless steel pipe clamp	YW07000300000	19	Material pipe stator	-
3	O type seal ring	YR20802600000	20	Terminal mounting box	YR40010000200
4	Cap nut M6	YW64006000100	21	Cross recess pan head screw M4×6	YW63040600000
5	Lower flange of glass tube	BW32610900010	22	Set screw M4×5	YW68004500000
6	Glass tube fastener	YR10060200000	23	Fixed plate of photosensor	BL90001000120
7	Glass tubeΦ90×Φ80×117	YW70317000600	24	Pressing piece of photosensor wire	YW31616200000
8	Flange connecting rod	BH10000600640	25	Cross recess pan head screw M4×10	YW63041000000
9	Non-return valve	-	26	Photosensor	YE15143900000
10	Discharging port	-	27	Photosensor installation block	-
11	Upper flange of glass tube	BW32610800010	28	Photosensor stator	BL21061200020
12	Material storage hopper	-	29	Hopper fastener	YR10000300100
13	Locknut M4×0.7	YW64040700100	30	Filter screen	BL21000600620
14	Flat washer 4	YW66040800000	31	Hopper cover	BL21000602820
15	Snap hook	YW02003000400	32	Air pipe fastener	YR10000000200
16	Bearer	YR40000600300	33	Air pipe	YR20001500000
17	Material pipe fastener	YR10150300000	34	Cross recess pan head screw M5 ×15	YW62051500000

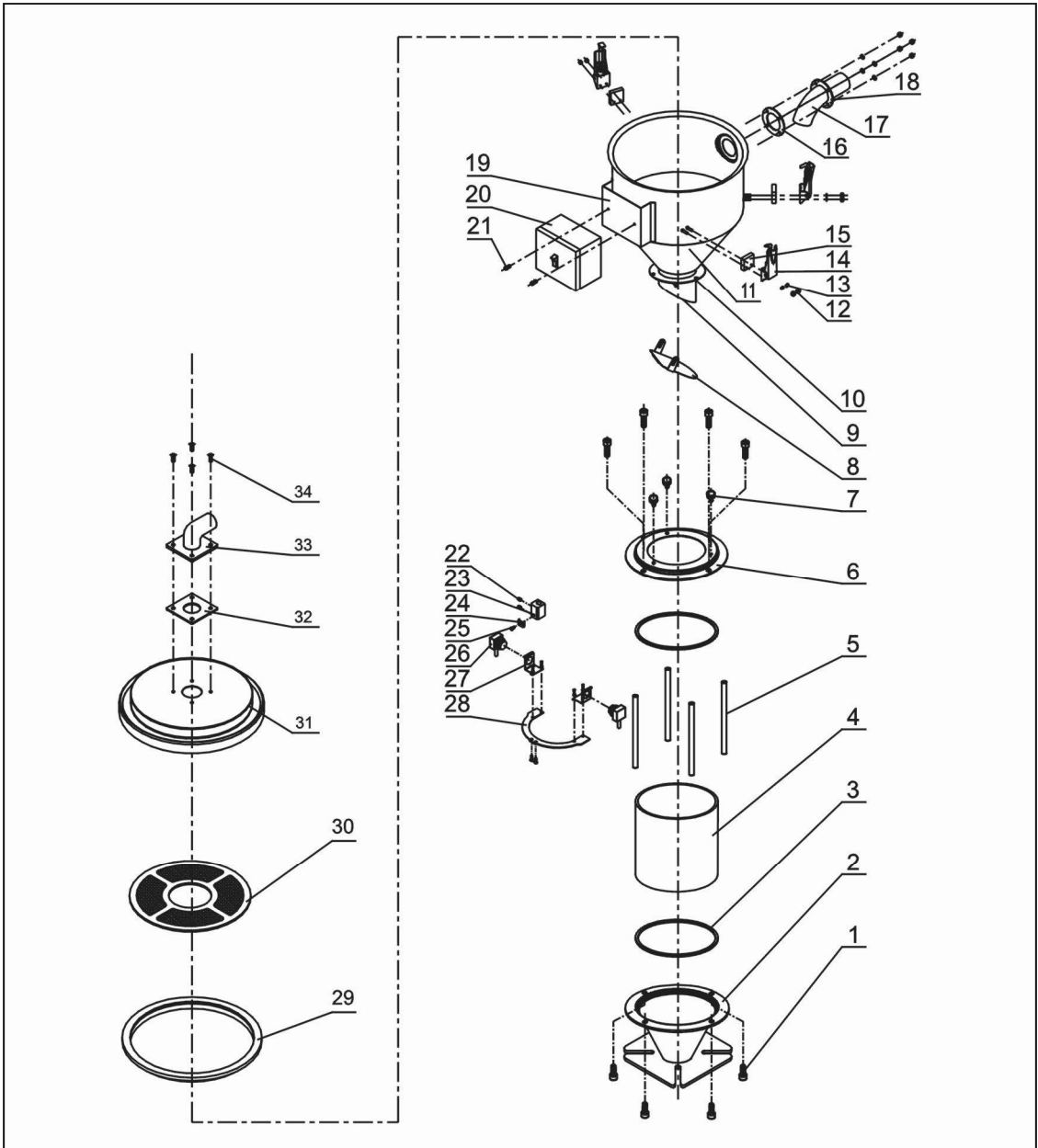
\* means possible broken parts.

\*\* means easy broken part. and spare backup is suggested.

Please confirm the version of manual before placing the purchase order to guarantee that the item number of the spare part is in accordance with the real object.



2.2.17 Assembly Drawing (SHR-12U-E)



Remarks: Please refer to material list 2.2.18 for specific explanation of the Arabic numbers in parts drawing.

Picture 2-12: Assembly Drawing (SHR-12U-E)

## 2.2.18 Parts List (SHR-12U-E)

Chart 2-9: Parts List (SHR-12U-E)

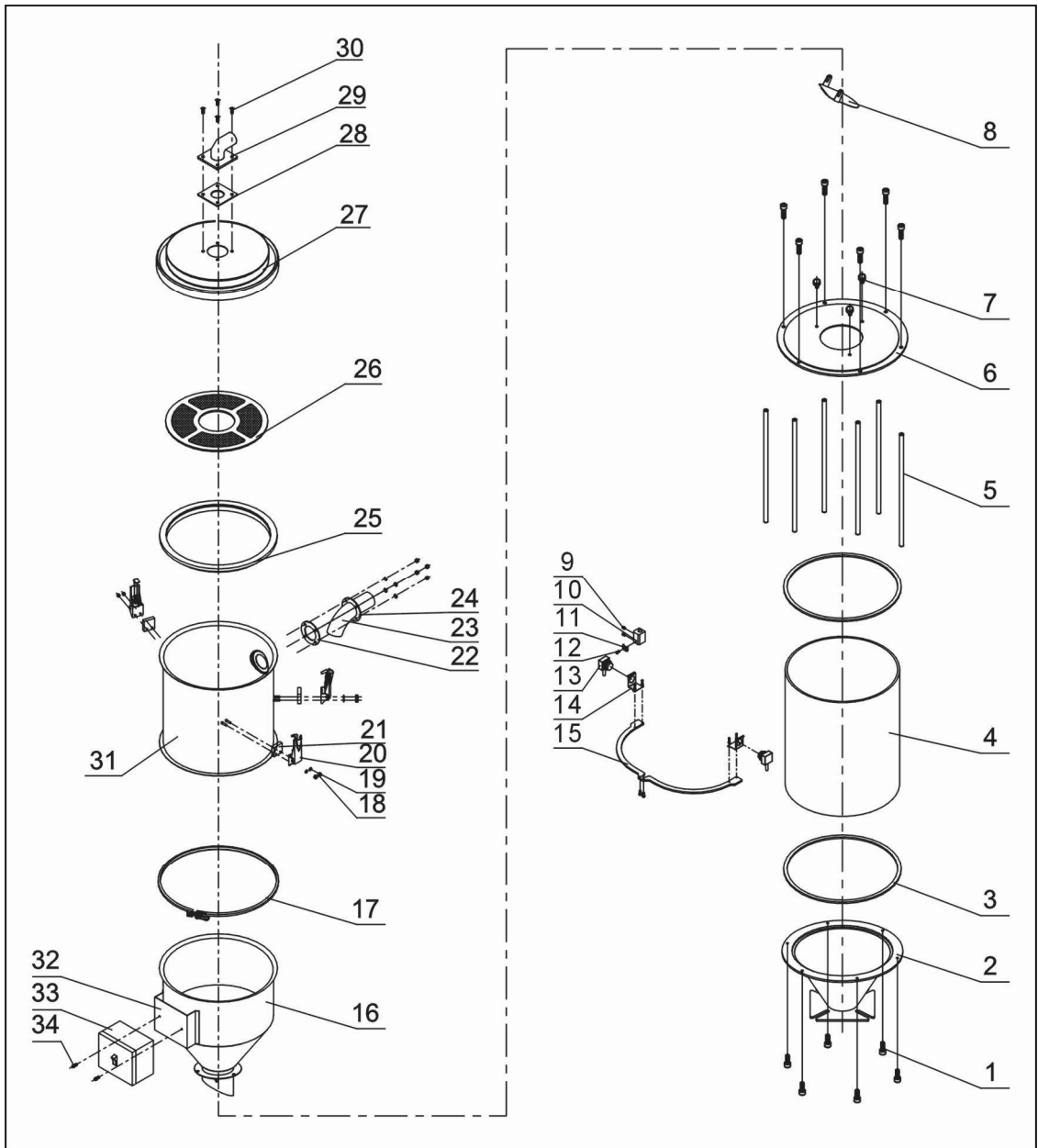
No.	Name	Part No.	No.	Name	Part No.
1	Socket head cap screw M6×15	YW61061600300	18	Material pipe stator	-
2	Lower flange of glass tube	-	19	Electrical cabinet base	-
3	Glass tube fastener	YR10001200100	20	Electrical cabinet	-
4	Glass tube Φ170×Φ160×170	-	21	Cross recess pan head screw M4×6	YW63040600000
5	Flange connecting rod	-	22	Set screw M4×5	YW68004500000
6	Upper flange of glass tube	-	23	Fixed plate of photosensor	-
7	Ebonite screw M6×15	YW69621600000	24	Pressing piece of photosensor wire	-
8	Non-return valve	-	25	Cross recess pan head screw M4×10	YW63041000000
9	Discharging port	-	26	Photosensor	YE15143900000
10	Hopper flange	-	27	Photosensor installation block	-
11	Material storage hopper	-	28	Photosensor fixed block	-
12	Locknut M4×0.7	YW64040700100	29	Filter screen	-
13	Flat washer 4	YW66040800000	30	Hopper fastener	-
14	Snap hook	YW02003000400	31	Hopper cover	-
15	Bearer	YR40000600300	32	Air pipe fastener	YR10000000200
16	material pipe fastener	-	33	Air pipe	YR20001500000
17	Material pipe	-	34	Cross recess pan head screw M5×15	YW62051500000

\* means possible broken parts.

\*\* means easy broken part. and spare backup is suggested.

Please confirm the version of manual before placing the purchase order to guarantee that the item number of the spare part is in accordance with the real object.

### 2.2.19 Assembly Drawing (SHR-24U-E)



Remarks: Please refer to material list 2.2.20 for specific explanation of the Arabic numbers in parts drawing.

Picture 2-13: Assembly Drawing (SHR-24U-E)

## 2.2.20 Parts List (SHR-24U-E)

Chart 2-10: Parts List (SHR-24U-E)

No.	Name	Part No.	No.	Name	Part No.
1	Socket head cap screw M6×15	YW61061600300	18	Locknut M4×0.7	YW64040700100
2	Lower flange of glass tube	-	19	Flat washer 4	YW66040800000
3	Glass tube fastener	-	20	Snap hook	YW02003000400
4	Glass tube Φ280×Φ270×340	-	21	Bearer	YR40000600300
5	Flange connecting rod	-	22	material pipe fastener	-
6	Upper flange of glass tube	-	23	Material pipe	-
7	Ebonite screw M6×15	YW69621600000	24	Material pipe stator	-
8	Non-return valve	-	25	Hopper fastener	-
9	Set screw M4×5	YW68004500000	26	Filter screen	-
10	Fixed plate of photosensor	-	27	Hopper cover	-
11	Pressing piece of photosensor wire	-	28	Air pipe fastener	YR10002500000
12	Cross recess pan head screw M4×10	YW63041000000	29	Air pipe	-
13	Photosensor	YE15143900000	30	Cross recess pan head screw M5×5	YW62051500000
14	Photosensor installation block	-	31	Enlarged hopper	-
15	Photosensor fixed block	-	32	Electrical cabinet base	-
16	Material storage hopper	-	33	Electrical cabinet	-
17	Pipe bundle	-	34	Cross recess pan head screw M4×6	YW63040600000

\* means possible broken parts.

\*\* means easy broken part. and spare backup is suggested.

Please confirm the version of manual before placing the purchase order to guarantee that the item number of the spare part is in accordance with the real object.