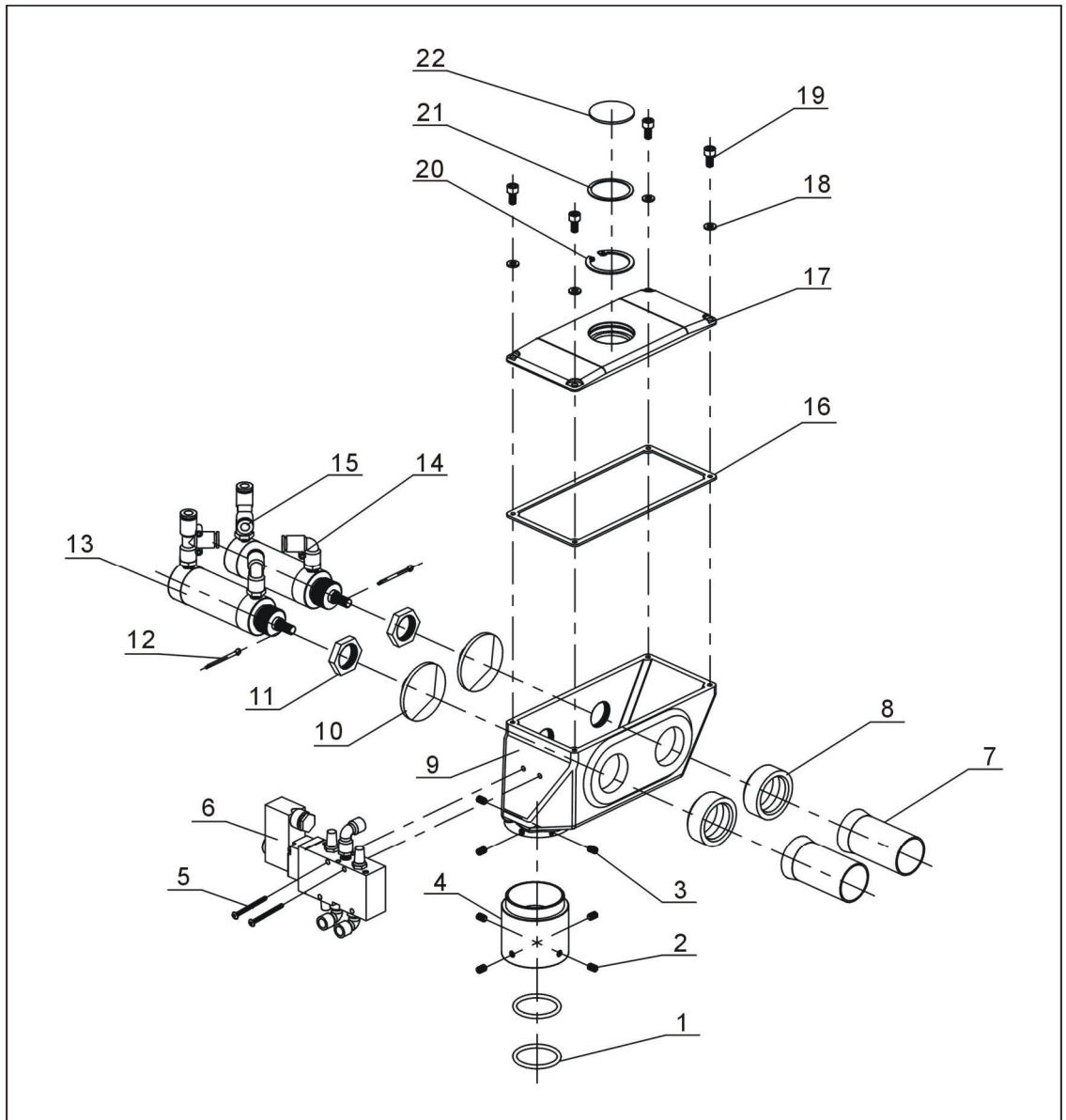


2.2 Drawing and Parts List

2.2.1 Assembly Drawing



Remarks: Please refer to material List 2.2.2 for specific explanation of the arabic numbers in parts drawing.

Picture 2-3: Assembly Drawing

2.2.2 Parts List

Table 2-1: Parts List

No.	Name	Part No.	
		SPV-38U-(C)	SPV-50U-(C)
1	O sealing ring*	YR20375300000	YR20375300000
2	Set screw M6×10	YW64000800100	YW64000800100
3	Set screw M5×5	YW68004500000	YW68004500000
4	Pipe sleeve for absorbing material	-	-
5	Cross socket head cap screw M4×25	YW63042500000	YW63042500000
6	Solenoid valve	YE32421000100	YE32421000100
7	Feed-in pipe	-	-
8	Feed-in pipe sleeve	-	-
9	Proportional valve	-	-
10	Line cone diaphragm	-	-
11	Nut M26×1.5	-	-
12	Cotter pin	YW09254000000	YW09254000000
13	Air tank	BH10380800010	BH10380800010
14	Air pipe connector	YW80061800200	YW80061800200
15	Air pipe connector	YW80601800000	YW80601800000
16	Valve cover fastener	YR10003000100	YR10003000100
17	Valve cover	BW20003800010	BW20003800010
18	Flat gasket	YW66051000000	YW66051000000
19	Socket screw M5×12	YW61051200000	YW61051200000
20	Circlip for shaft	YW69004200000	YW69004200000
21	Material observation window stringency	YR10423600000	YR10423600000
22	Glass lens	YW70415200000	YW70415200000

* means possible broken parts.

** means easy broken part. and spare backup is suggested.

Please confirm the version of manual before placing the purchase order to guarantee that the item number of the spare part is in accordance with the real object.