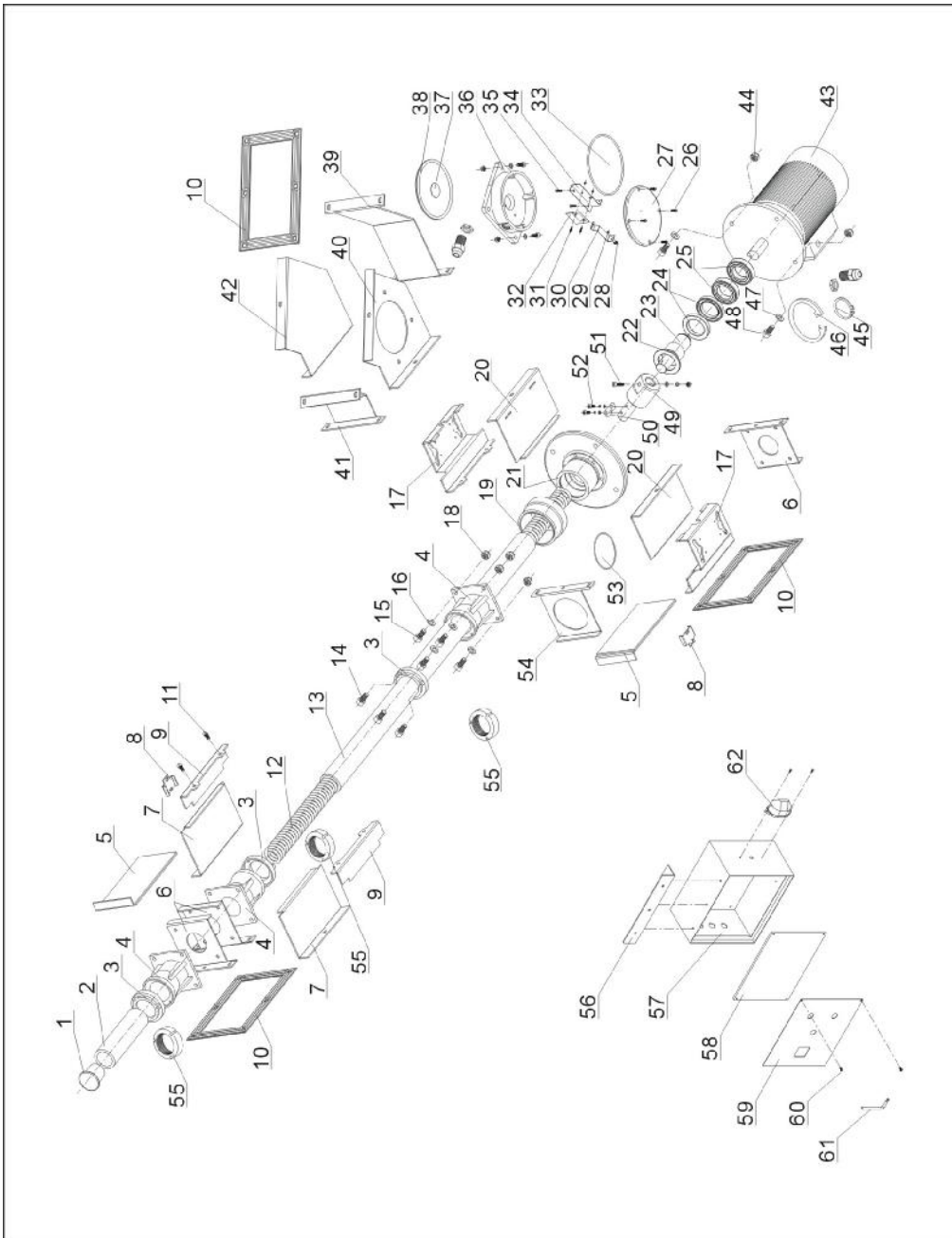


2.2 Assembly Drawing

2.2.1 Assembly Drawing (SSC-50/65)



Remarks: Please refer to material list 2.2.2 for specific explanation of the Arabic numbers in parts drawing.

Picture 2-2: Assembly Drawing (SSC-50/65)

2.2.2 Parts List (SSC-50/65)

Table 2-1: Parts List (SSC-50)

No.	Name	Part No.	No.	Name	Part No.
1	Sealing cap	YR10001500200	28	Cross socket head cap screw	YW63030600000
2	Rubber hose	-	29	Lock nut M3	YW64000300000
3	Pipe sleeve cover	-	30	Electrical actuator	-
4	Pipe sleeve base	-	31	Cross socket head cap screw	YW63032000000
5	Material plate	-	32	Electrical strengthen washer	-
6	Material storage base board A	-	33	O-ring	YR10708000100
7	Material storage base board B	-	34	Electrical fixed board	-
8	Material storage board fitting 1	-	35	Cross socket head cap screw	YW62051500000
9	Material storage board fitting 2	-	36	Electrical base	-
10	Seal washer	-	37	Electrical contact piece	-
11	Inner hexagon column screw	YW61062000300	38	Spacer plate	-
12	Spring	-	39	Material base board-C	-
13	Wear-proof pipe	YR60655000000	40	Material base board -D	-
14	Inner hexagon column screw	YW61053000100	41	Material base board -A	-
15	Inner hexagon column screw	YW61082000200	42	Material base board -B	-
16	Flat gasket 8	YW66081600000	43	Motor 1.1kW	-
17	Material base fitting board	-	44	Lock nut	YW64000800100
18	Lock nut M8	YW64000800100	45	Circlip for axis use	YW69003500000
19	Flange sleeve	BH10406500010	46	Circlip for hole use	YW69766700000
20	Material storage base board B	-	47	Flat gasket 8	YW66081600000
21	Motor flange	BW20405000310	48	Inner hexagon column screw	YW61083000300
22	Gasket	-	49	Joint sleeve	-
23	Shaft core connecting motor	-	50	Pressure block	-
24	Seal ring	-	51	Inner hexagon column screw	YW61063500000
25	Deep groove ball bearing	YW11600700000	52	Fastening screw	YW61061600000
26	Inner hexagon column screw	YW61101500000	53	O-ring	-
27	Electrical base cover	-	54	Material storage board A	-

No.	Name	Part No.	No.	Name	Part No.
55	Pipe sleeve seal ring	-	59	Electrical control box cover	-
56	Electrical control box fixed board	-	60	Star anti-theft screw with column	-
57	Electrical control box	-	61	Special wrench for anti-theft screws	-
58	Electrical component installation plate	-	62	Alarm light	YE83305100200

* means possible broken parts.

** means easy broken part. and spare backup is suggested.

Please confirm the version of manual before placing the purchase order to guarantee that the item number of the spare part is in accordance with the real object.

Table 2-2: Parts List (SSC-65)

No.	Name	Part No.	No.	Name	Part No.
1	Sealing cap	YR10001500200	29	Lock nut M3	YW64000300000
2	Rubber hose	-	30	Electrical actuator	-
3	Pipe sleeve cover	-	31	Cross socket head cap screw	YW63032000000
4	Pipe sleeve base	-	32	Electrical strengthen washer	-
5	Material plate	-	33	O-ring	YR10708000100
6	Material storage base board A	-	34	Electrical fixed board	-
7	Material storage base board B	-	35	Cross socket head cap screw	YW62051500000
8	Material storage board fitting 1	-	36	Electrical base	-
9	Material storage board fitting 2	-	37	Electrical contact piece	-
10	Seal washer	-	38	Spacer plate	-
11	Inner hexagon column screw	YW61062000300	39	Material base board-C	-
12	Spring	-	40	Material base board -D	-
13	Wear-proof pipe	YR60655000000	41	Material base board -A	-
14	Inner hexagon column screw	YW61053000100	42	Material base board -B	-
15	Inner hexagon column screw	YW61082000200	43	Motor 1.1kW	-
16	Flat gasket 8	YW66081600000	44	Lock nut	YW64000800100
17	Material base fitting board	-	45	Circlip for axis use	YW69003500000
18	Lock nut M8	YW64000800100	46	Circlip for hole use	YW69766700000
19	Flange sleeve	BH10406500010	47	Flat gasket 8	YW66081600000
20	Material storage base board B	-	48	Inner hexagon column screw	YW61083000300
21	Motor flange	BW20405000310	49	Joint sleeve	-
22	Gasket	-	50	Pressure block	-
23	Shaft core connecting motor	-	51	Inner hexagon column screw	YW61063500000
24	Seal ring	-	52	Fastening screw	YW61061600000
25	Deep groove ball bearing	YW11600700000	53	O-ring	-
26	Inner hexagon column screw	YW61101500000	54	Material storage board A	-
27	Electrical base cover	-	55	Pipe sleeve seal ring	-
28	Cross socket head cap screw	YW63030600000	56	Electrical control box fixed board	-

No.	Name	Part No.	No.	Name	Part No.
57	Electrical control box	-	60	Star anti-theft screw with column	-
58	Electrical component installation plate	-	61	Special wrench for anti-theft screws	-
59	Electrical control box cover	-	62	Alarm light	YE83305100200

* means possible broken parts.

** means easy broken part. and spare backup is suggested.

Please confirm the version of manual before placing the purchase order to guarantee that the item number of the spare part is in accordance with the real object.