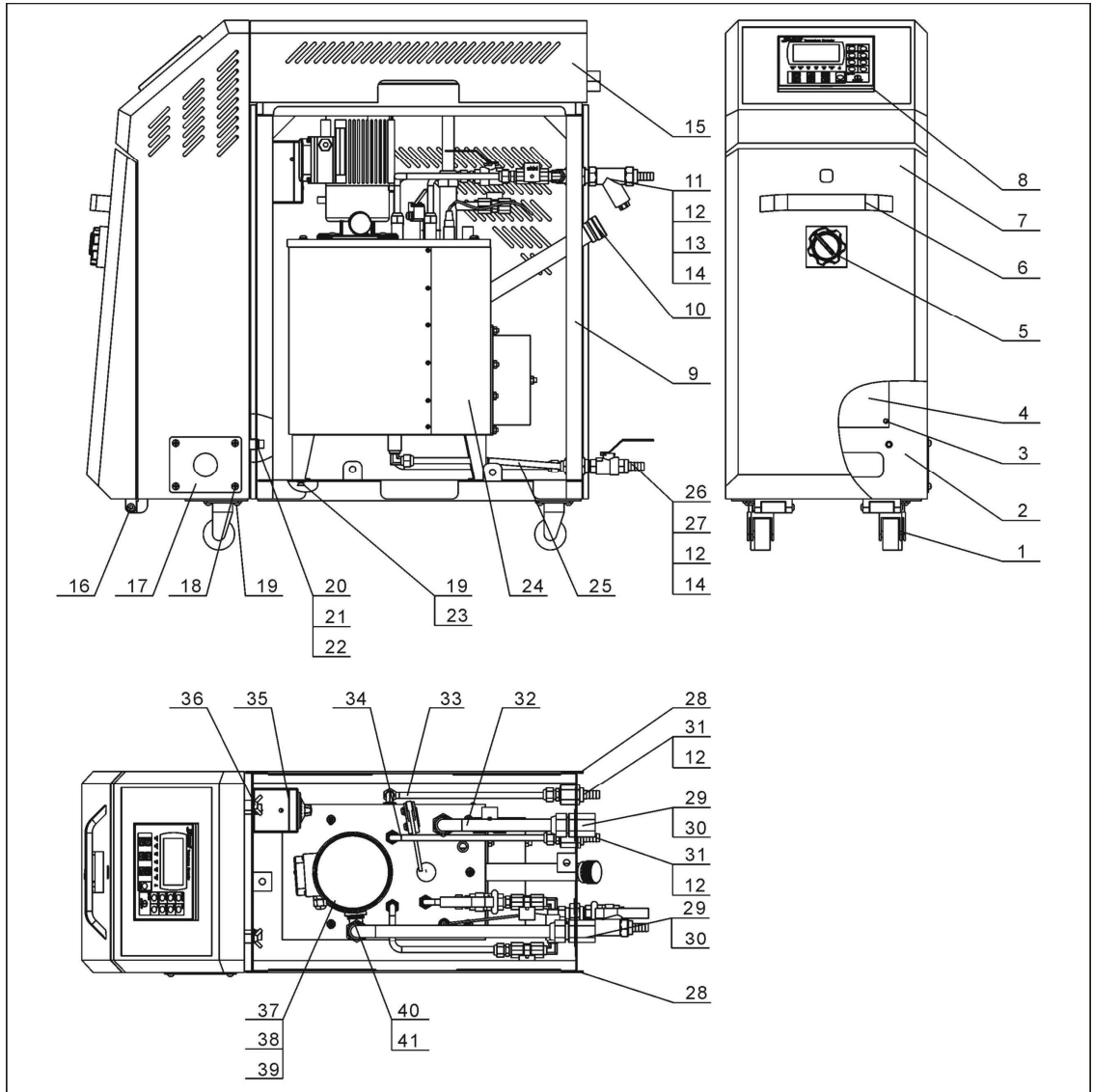


2.2 Assembly Drawing

2.2.1 Assembly Drawing (STM-607W/O)



Remarks: Please refer to material list 2.2.2 for specific explanation of the arabic numbers in parts drawing.

Picture 2-2: Assembly Drawing (STM-607W/O)

2.2.2 Parts List (STM-607W/O)

Table 2-1: Parts List (STM-607W/O)

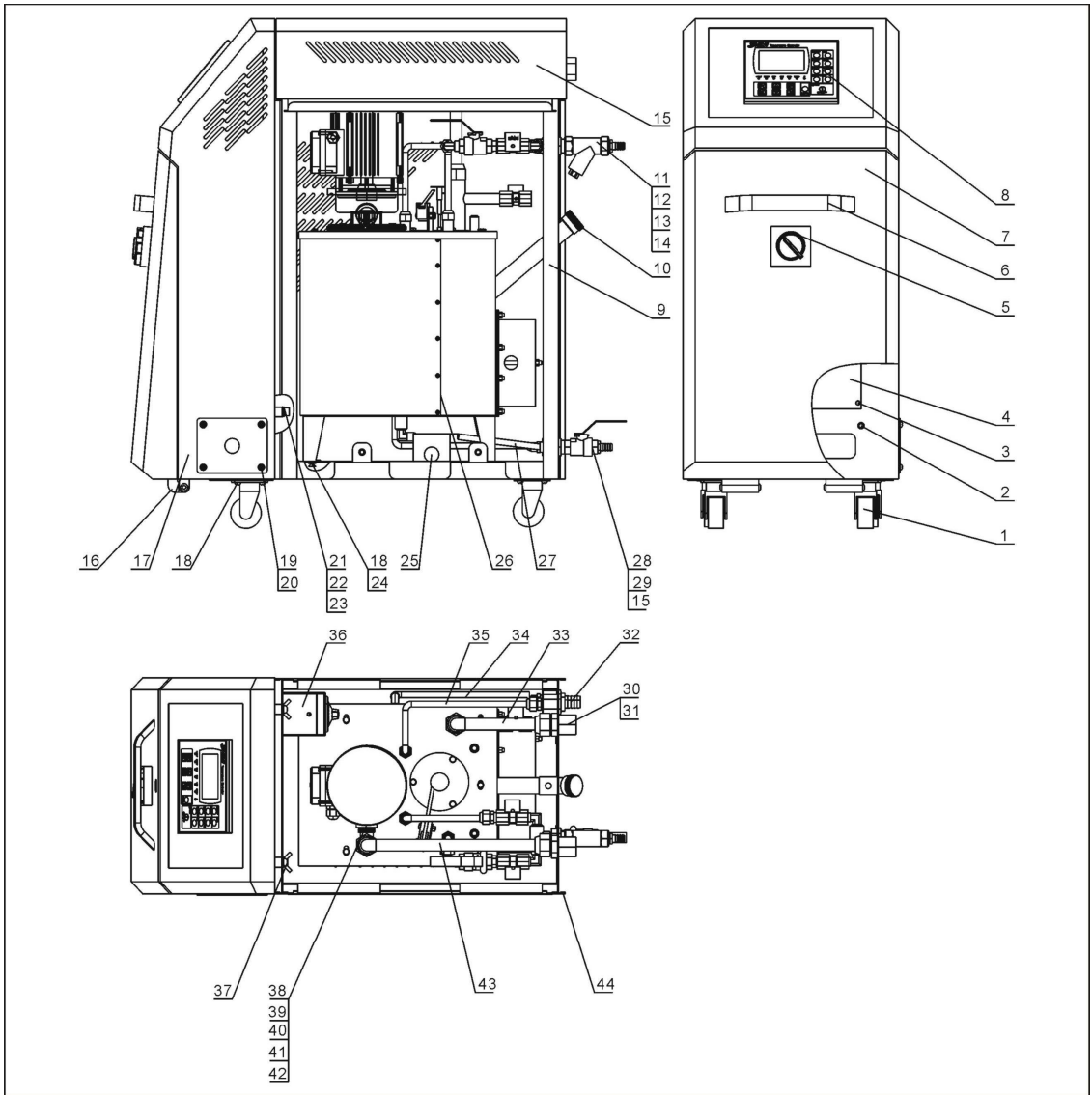
No.	Name	Part No.	No.	Name	Part No.
1	Universal caster 2"	YW03000200000	22	Flat gasket 8×16×1.5	YW66081600000
2	Rear plate of control box	-	23	Flat gasket 6×18	YW66061800000
3	Round head cross screw M6×15	YW61061500100	24	Oil(water) box parts	-
4	Control box plate	-	25	Oil(water) drainage pipe parts	-
5	Main power switch	YE10021160000	26	Oil drainage pipe connector parts	-
6	Door plate aluminum handle 6609	YE10021160000	27	1/2" Ball valve	YW50010200500
7	Door plate	-	28	Side plate	-
8	HAN YOUNG controller MT100-01	YE81100010000	29	3/4" Flow distribution adapter	-
9	Rack	-	30	3/4" Connecting screw of flow distributor	-
10	Aluminum oil cap 3/4PT(blue-plated)	BH12030403040	31	Water drainage pipe connector parts	-
11	Filling pipe connector parts	-	32	Oil (Water) return pipe parts	-
12	Universal copper nut	BH12060703910	33	Overflow pipe parts	-
13	Y type filtering water valve 1/2"	YW57010200000	34	Water drainage parts	-
14	Copper core M16×1/2PT	BH12121600010	35	EGO assembly	BH90115000050
15	Cover plate	-	36	Butterfly screw M8×15	YW69081500000
16	Big hinge CL219-1	YW60061000000	37	Vertical pump VP-55	BM20005500150
17	Line clamp fixing plate	-	38	Lentil-headed screw M6×20	YW62062000000
18	Lentil-headed screw M5×10	YW62051000100	39	Flat gasket 6×18×1.5	YW66061800000
19	Lentil-headed screw M6×15	YW62061500000	40	Teflon connector 3/4"PT×3/4"H L	YW04030400000
20	Inner hexagon screw M8×20	YW61082000200	41	Pump outlet pipe parts	-
21	Spring gasket 8	YW65008000100			

* means possible broken parts.

** means easy broken part. and spare backup is suggested.

Please confirm the version of manual before placing the purchase order to guarantee that the item number of the spare part is in accordance with the real object.

2.2.3 Assembly Drawing (STM-907W/O)



Remarks: Please refer to material list 2.2.4 for specific explanation of the arabic numbers in parts drawing.

Picture 2-3: Assembly Drawing (STM-907W/O)

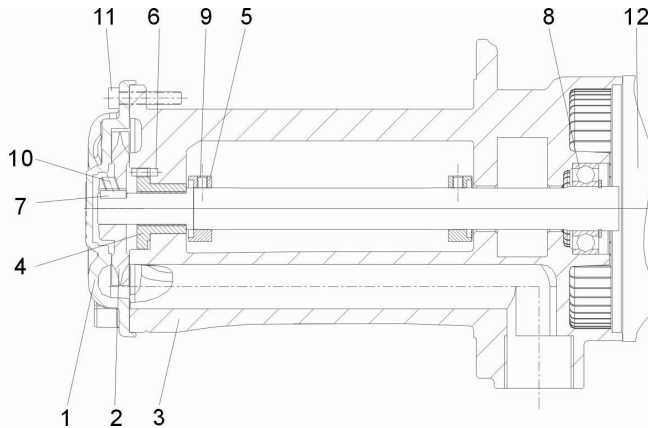
2.2.4 Parts List (STM-907W/O)

Table 2-2: Parts List (STM-907W/O)

No.	Name	Part No.	No.	Name	Part No.
1	Universal caster 2"	YW03000200000	23	Flat gasket 8×16×1.5	YW66081600000
2	Rear plate of control box	-	24	Flat gasket 6×18	YW66061800000
3	Round head cross screw M6×15	YW61061500100	25	Line box	-
4	Control box	-	26	Oil (Water) return pipe parts	-
5	Main power switch	YE10021160000	27	Oil drainage pipe parts	-
6	Door plate aluminum handle 6609	YE10021160000	28	Oil drainage pipe connector parts	-
7	Door plate	-	29	Copper ball valve 1/2"	YW50010200500
8	HAN YOUNG controller MT100-01	YE81100010000	30	3/4" Flow distribution adapter	-
9	Rack	-	31	3/4" Connecting screw of flow distributor	-
10	Aluminum oil cap 3/4PT(blue-plated)	BH12030403040	32	Water drainage pipe connector parts	-
11	Filling pipe connector parts	-	33	Oil return pipe parts	-
12	Universal copper nut	BH12060703910	34	Overflow pipe parts	-
13	Y type filtering water valve 1/2"	YW57010200000	35	Water drainage pipe parts	-
14	Copper core M16×1/2PT	BH12121600010	36	EGO assembly	BH90115000050
15	Cover plate	-	37	Butterfly screw M8×15	YW69081500000
16	Big hinge CL219-1	YW60061000000	38	Vertical pump VP-55	BM20005500150
17	Control box	-	39	Outer hexagon screw M6*25	YW60062500000
18	Lentil-headed screw M6×15	YW62061500000	40	Flat gasket 6×18×1.5	YW66061800000
19	Line clamp fixing plate	-	41	Pump pressure-relief gasket	-
20	Lentil-headed screw M5×10	YW62051000100	42	Teflon connector 3/4"PT×3/4"H L type	YW04030400000
21	Inner hexagon screw M8×20	YW61082000200	43	Pump outlet pipe parts	-
22	Spring gasket 8	YW65008000100	44	Side plate	-

* means possible broken parts. ** means easy broken part. and spare backup is suggested. Please confirm the version of manual before placing the purchase order to guarantee that the item number of the spare part is in accordance with the real object.

2.2.5 Pump



Names of Parts:

- 1. Pump lid 2. Impeller 3. Pump seat 4. Silicon carbide bearing
- 5. Shaft sleeve 6. Column pin 7. Cup-head parallel key
- 8. Bearing 9. Inner hexagon set screw 10. Inner hexagon flat point set screw
- 11. Outer-hexagonal bolts 12. Motor

Picture 2-4: Pump