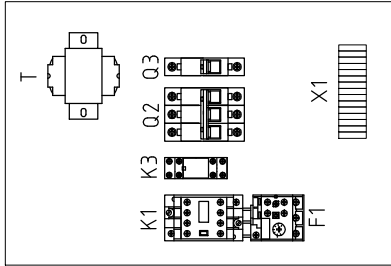
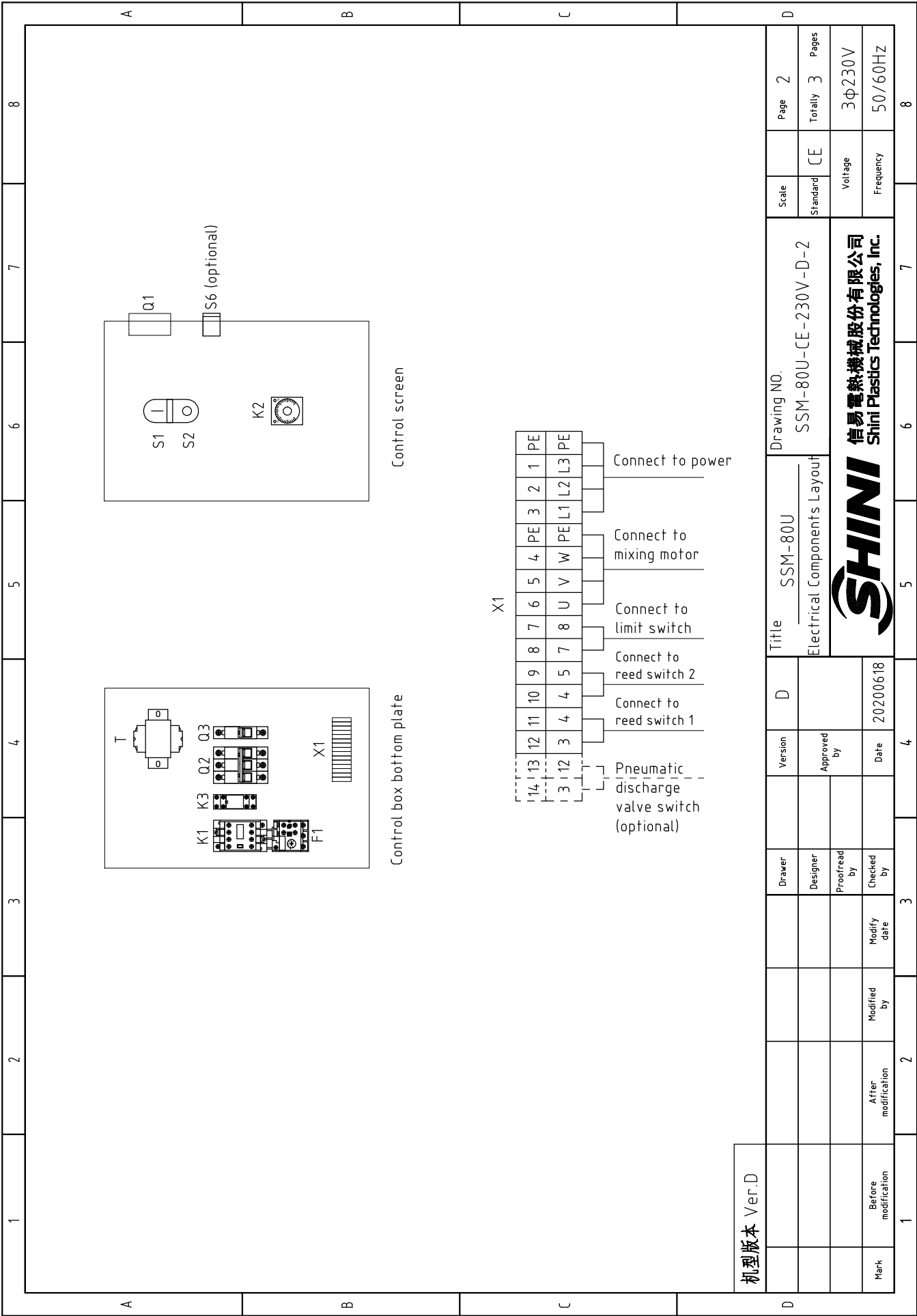


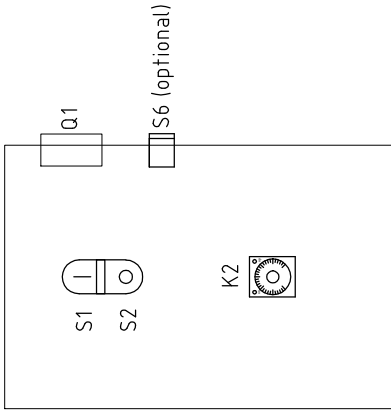
机 型 版 本	Ver.D
Mark	Before modification
	After modification
	Modified by
	Modify date
	Checked by
	Proofread by
	Designer
	Drawer
	Version
	D
	Approved by
	Date
	20200618

Title		SSM-80U		Drawing No.		SSM-80U-CE-230V-D-1	
Circuit Diagram		Scale		Standard		CE	
Voltage		Frequency		Page 1		Totally 3 Pages	
3 φ 230V		50/60Hz		Voltage		Frequency	

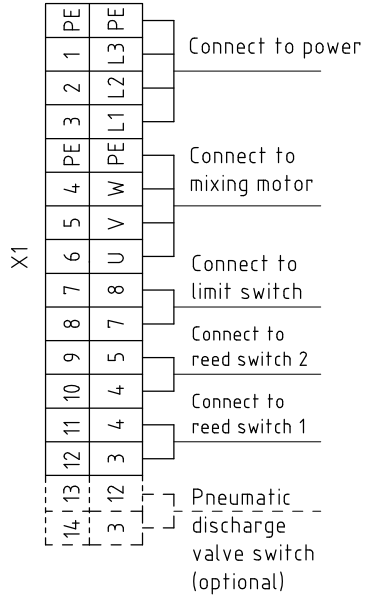




Control box bottom plate



Control screen

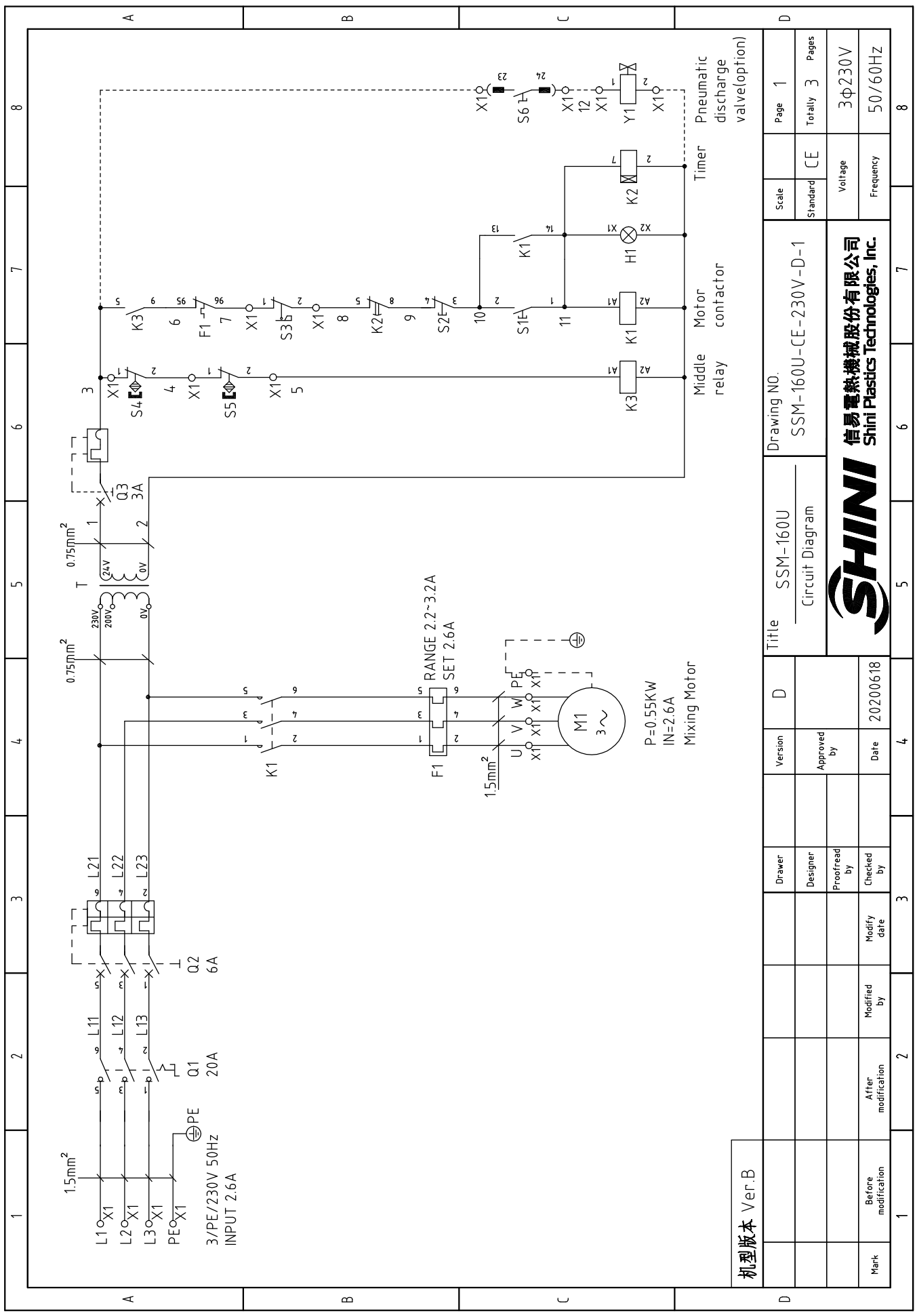


机型版本 Ver.D

Mark	Before modification	Modified by	Modify date	Checked by	Date	Approved by	Version	D	Title	SSM-80U Electrical Components Layout	Drawing NO. SSM-80U-CE-230V-D-2	Scale	Page
	After modification	Modified by	Modify date									Standard	Totally
												CE	2
													3
													Pages
													3
													Voltage
													3φ230V
													Frequency
													50/60HZ
													8



1		2		3		4		5		6		7		8																																																																				
NO.	Symbol	Name	Manufacturer	Type	Specification	Number	Material number	Remark																																																																										
1	Q1	Main power switch	EATON	T0-2-1/EA/SVB	20A	1	YE10021160000																																																																											
2	Q2	Circuit breaker	TECO	BM-63C/3006S	6A	1	YE40300603000																																																																											
3	Q3	Circuit breaker	TECO	BM-63C/1003S	3A	1	YE40100203000																																																																											
4	K1	Contact	SIEMENS	3RT6016-1AB01	24VAC	1	YE00601602500																																																																											
5	K2	Time relay	YUYUN	TS48S-AB	24VAC	1	YE03482400000																																																																											
6	K3	Middle relay	Honeywell	GR-2C-24V	24VAC	1	YE03022400300																																																																											
7	T	Transformer	JIUXIN	IN=230V/200V OUT=24VAC	80VA	1	YE70023005200																																																																											
8	F1	Overload relay	SIEMENS	3RU6116-1DB0	2.2-3.2A	1	YE01160220000																																																																											
9	X1	Terminal board	Honeywell	SK2.5	2.5mm <sup>2</sup>	12	YE61250040000																																																																											
10			Honeywell	GK2.5PE	2.5mm <sup>2</sup> PE	2	YE61253500000																																																																											
11			Honeywell	SK2.5	2.5mm <sup>2</sup>	2	YE61250040000	(2)																																																																										
12	S1 S2	Control switch	DONGSHENG	APBB-22N(indicator 24VAC)	600V 10A	1	YE11222400000																																																																											
13	S3	Limit switch	OMRON	D4MC-5000	250V 10A	1	YE14450000000	(1)																																																																										
14	S4 S5	Reed switch	SONON	BL12-30BLA 40MM	24VAC	2	YE15123000100	(1)																																																																										
15	S6	Selection switch	ABB	C2SS2-10B-10	300V 5A	1	YE12210100000	(2)																																																																										
16	M1	Motor	----	0.55KW	230V 50/60Hz	1	----	(1)																																																																										
17	Y1	Pneumatic discharge valve	----	----	24V 50/60Hz	1	----	(2)																																																																										
C																																																																																		
D																																																																																		
<table border="1"> <tr> <td rowspan="2">机 型 版 本 Ver.D</td> <td colspan="2">Title</td> <td colspan="2">Drawing NO.</td> <td colspan="2">Scale</td> <td colspan="2">Page</td> </tr> <tr> <td colspan="2">SSM-80U</td> <td colspan="2">SSM-80U-CE-230V-D-3</td> <td colspan="2">CE</td> <td colspan="2">3</td> </tr> <tr> <td colspan="4">Electrical Components List 1</td> <td colspan="2">Voltage</td> <td colspan="2">Frequency</td> <td colspan="2">Totally</td> </tr> <tr> <td colspan="4"></td> <td colspan="2">3φ230V</td> <td colspan="2">50/60Hz</td> <td colspan="2">3</td> </tr> <tr> <td colspan="4"></td> <td colspan="2">SHINI</td> <td colspan="2">Shini Plastics Technologies, Inc.</td> <td colspan="2">8</td> </tr> <tr> <td>Mark</td> <td>Before modification</td> <td>Modified by</td> <td>Modify date</td> <td>Checked by</td> <td>Date</td> <td colspan="4"></td> </tr> <tr> <td></td> <td></td> <td></td> <td>20200618</td> <td></td> <td></td> <td colspan="4"></td> </tr> </table>																机 型 版 本 Ver.D	Title		Drawing NO.		Scale		Page		SSM-80U		SSM-80U-CE-230V-D-3		CE		3		Electrical Components List 1				Voltage		Frequency		Totally						3φ230V		50/60Hz		3						SHINI		Shini Plastics Technologies, Inc.		8		Mark	Before modification	Modified by	Modify date	Checked by	Date								20200618						
机 型 版 本 Ver.D	Title		Drawing NO.		Scale		Page																																																																											
	SSM-80U		SSM-80U-CE-230V-D-3		CE		3																																																																											
Electrical Components List 1				Voltage		Frequency		Totally																																																																										
				3φ230V		50/60Hz		3																																																																										
				SHINI		Shini Plastics Technologies, Inc.		8																																																																										
Mark	Before modification	Modified by	Modify date	Checked by	Date																																																																													
			20200618																																																																															
<p>Note: (1) Means not part of control box. (2)Means optional pneumatic discharge valve.</p>																																																																																		

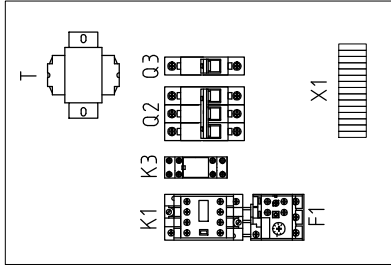


机版本 Ver.B	Version	D
Mark	Before modification	Modified by
	After modification	Modify date
	Proofread by	Checked by
	Designer	Approved by
	Drawer	Date
		20200618

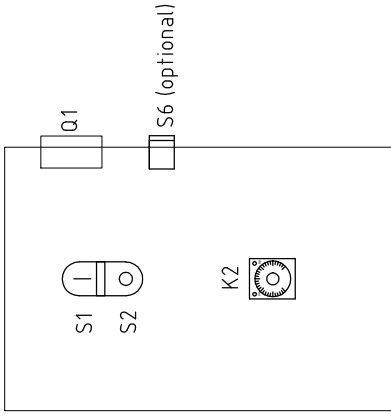
Title		SSM-160U	Drawing No.	SSM-160U-CE-230V-D-1	
Circuit Diagram					
Scale		CE	Page 1	Totally 3 Pages	
Voltage		3φ230V	Frequency		
			50/60Hz		



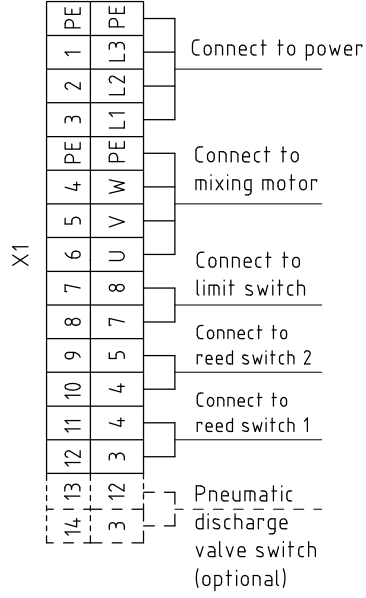
1 2 3 4 5 6 7 8



Control box bottom plate



Control screen



机型版本 Ver.B

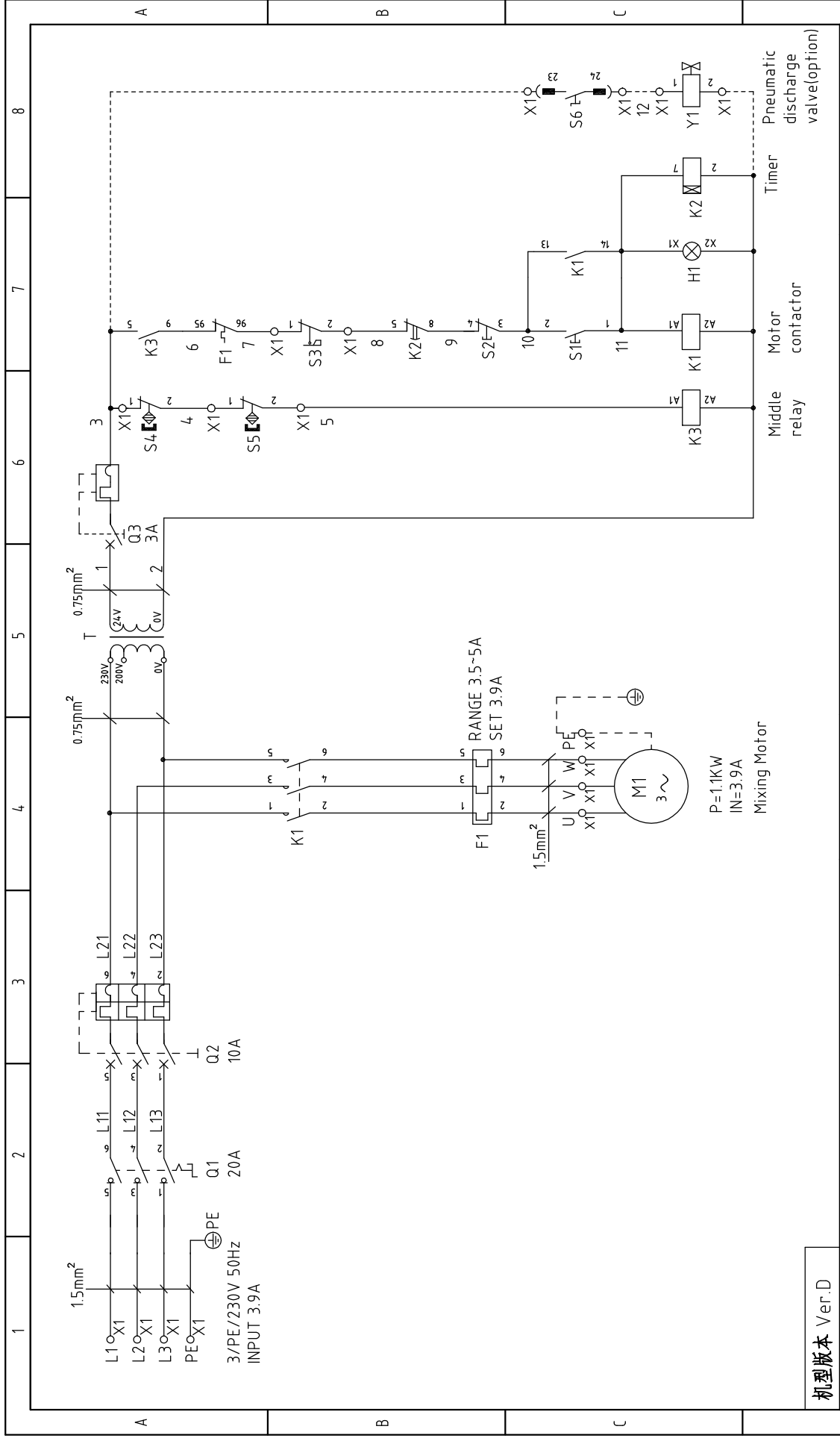
Mark	Before modification	Modified by	Modify date	Checked by	Approved by	Date	20200618	Version	D	Title	SSM-160U Electrical Components Layout	Drawing NO.	SSM-160U-CE-230V-D-2	Scale	Standard	CE	Totally	3	Pages	3	Voltage	3φ230V	Frequency	50/60HZ
	After modification																							
1	2	3	4	5	6	7	8	9	10	11	12	13	14	15	16	17	18	19	20	21	22	23	24	



1		2		3		4		5		6		7		8	
NO.	Symbol	Name	Manufacturer	Type	Specification	Number	Material number	Remark							
1	Q1	Main power switch	EATON	T0-2-1/EA/SVB	20A	1	YE10021160000								
2	Q2	Circuit breaker	TECO	BM-63C/3006S	6A	1	YE40300603000								
3	Q3	Circuit breaker	TECO	BM-63C/1003S	3A	1	YE40100203000								
4	K1	Contactor	SIEMENS	3RT16016-1AB01	24VAC	1	YE00601602500								
5	K2	Time relay	YUYUN	TS48S-AB	24VAC	1	YE03482400000								
6	K3	Middle relay	Honeywell	GR-2C-24V	24VAC	1	YE03022400300								
7	T	Transformer	BAIYUN	IN=230V/200V OUT=24VAC	80VA	1	YE70023005200								
8	F1	Overload relay	SIEMENS	3RU6116-1DB0	2.2-3.2A	1	YE01160220000								
9	X1	Terminal board	Honeywell	SK2.5	2.5mm <sup>2</sup>	12	YE61250040000								
10			Honeywell	GK2.5PE	2.5mm <sup>2</sup> PE	2	YE61253500000								
11			Honeywell	SK2.5	2.5mm <sup>2</sup>	2	YE61250040000	(2)							
12	S1 S2	Control switch	DONGSHENG	APBB-22N(indicator 24VAC)	600V 10A	1	YE11222400000								
13	S3	Limit switch	OMRON	D4MC-5000	250V 10A	1	YE14450000000	(1)							
14	S4 S5	Reed switch	SONON	BL12-30BLA 40MM	24VAC	2	YE15123000100	(1)							
15	S6	Selection switch	ABB	CZSS2-10B-10	300V 5A	1	YE12210100000	(2)							
16	M1	Motor	----	0.55KW	230V 50/60Hz	1	----	(1)							
17	Y1	Pneumatic discharge valve	----	----	24V 50/60Hz	1	----	(2)							
C															
D															
机型版本 Ver.B															
Note: (1) Means not part of control box. (2)Means optional pneumatic discharge valve.															
		Title		SSM-160U		Drawing NO.		SSM-160U-CE-230V-D-3		Scale		Page 3		Page 3	
		Electrical Components List 1								Standard		CE		Totally 3 Pages	
		Date		20200618						Voltage		3φ230V		Frequency	
		Checked by								Frequency		50/60Hz		8	
Mark		Before modification		Modified by		Modify date									
		After modification													



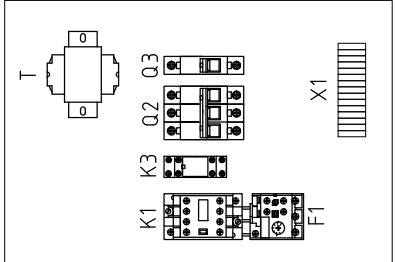
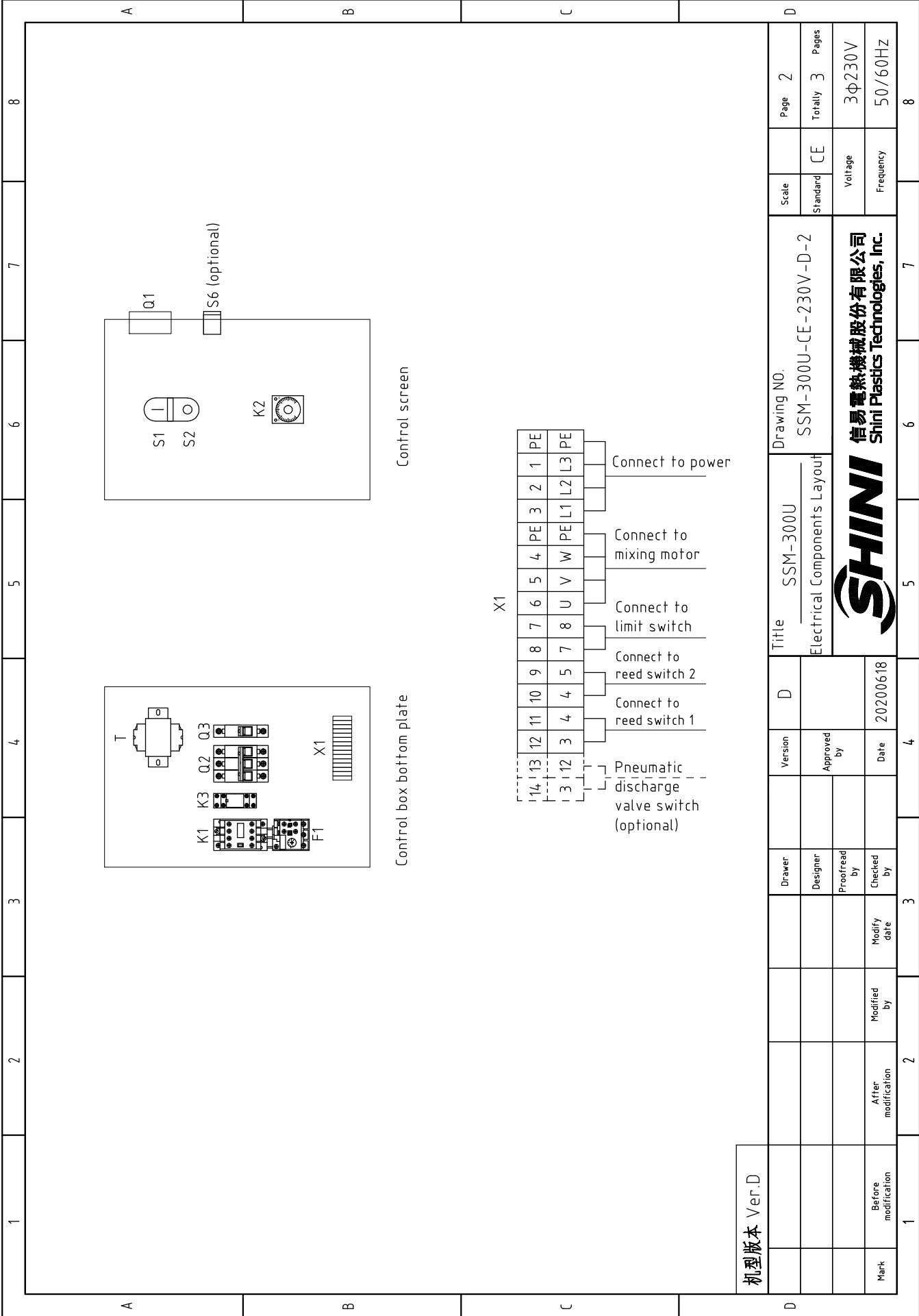
信易電熱機械股份有限公司  
Shini Plastics Technologies, Inc.



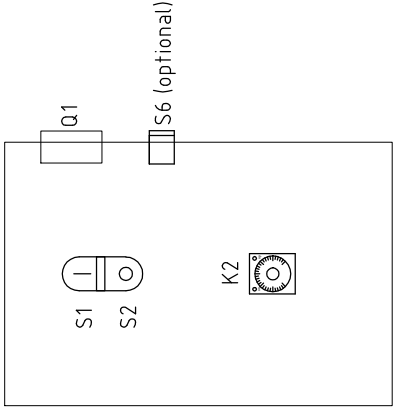
机 型 版 本	Ver.D	
	1	2
Mark	Before modification	After modification
	Modified by	Modify date
	Checked by	Date
	Proofread by	20200618
	Designer	Approved by
	Drawer	Version
	D	D

Title	SSM-300U	
	Circuit Diagram	
Drawing No.	SSM-300U-CE-230V-D-1	
	Scale	Page 1
Standard	CE	Totally 3 Pages
	Voltage	3 $\phi$ 230V
Frequency	50/60Hz	

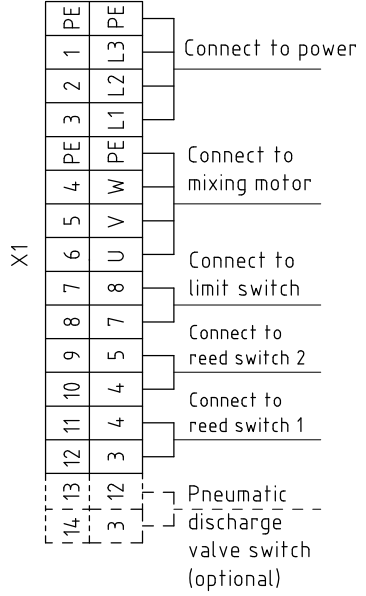




Control box bottom plate



Control screen




机型号	Ver.D
Mark	Before modification
	After modification
	Modified by
	Modify date
	Checked by
	Proofread by
	Designer
	Drawer
	Version
	Approved by
	Date
	20200618

Title		SSM-300U		Drawing NO.		SSM-300U-CE-230V-D-2	
Electrical Components Layout				Scale		Page 2	
				Standard		Totally 3 Pages	
				Voltage		3φ230V	
				Frequency		50/60HZ	

Title		SSM-300U		Drawing NO.		SSM-300U-CE-230V-D-2	
Electrical Components Layout				Scale		Page 2	
				Standard		Totally 3 Pages	
				Voltage		3φ230V	
				Frequency		50/60HZ	





1		2		3		4		5		6		7		8	
NO.	Symbol	Name	Manufacturer	Type	Specification	Number	Material number	Remark							
1	Q1	Main power switch	EATON	TO-2-1/EA/SVB	20A	1	YE10021160000								
2	Q2	Circuit breaker	TECO	BM-63C/3010S	10A	1	YE40301003000								
3	Q3	Circuit breaker	TECO	BM-63C/1003S	3A	1	YE40100203000								
4	K1	Contactor	SIEMENS	3RT6016-1AB01	24VAC	1	YE00601602500								
5	K2	Time relay	YUYUN	TS48S-AB	24VAC	1	YE03482400000								
6	K3	Middle relay	Honeywell	GR-2C-24V	24VAC	1	YE03022400300								
7	T	Transformer	JIUXIN	IN=230V/200V OUT=24VAC	80VA	1	YE70023005200								
8	F1	Overload relay	SIEMENS	3RU6116-1FB0	3.5-5A	1	YE01160350000								
9	X1	Terminal board	Honeywell	SK2.5	2.5mm <sup>2</sup>	12	YE61250040000								
10			Honeywell	GK2.5PE	2.5mm <sup>2</sup> PE	2	YE61253500000								
11			Honeywell	SK2.5	2.5mm <sup>2</sup>	2	YE61250040000	(2)							
12	S1 S2	Control switch	DONGSHENG	APBB-22Nindicator 24VAC	600V 10A	1	YE11222400000								
13	S3	Limit switch	OMRON	D4MC-5000	250V 10A	1	YE14450000000	(1)							
14	S4 S5	Reed switch	SONON	BL12-30BLA 40MM	24VAC	2	YE15123000100	(1)							
15	S6	Selection switch	ABB	C2SS2-10B-10	300V 5A	1	YE12210100000	(2)							
16	M1	Motor	----	1.1KW	230V 50/60Hz	1	----	(1)							
17	Y1	Pneumatic discharge valve	----	----	24V 50/60Hz	1	----	(2)							
C															
D															
机型版本 Ver.D															
Note: (1) Means not part of control box. (2)Means optional pneumatic discharge valve.															
				Drawer	Version	D	Title		Drawing NO.		Scale	Page			
				Designer	Approved by		SSM-300U		SSM-300U-CE-230V-D-3		Standard	Totally			
				Proofread by			Electrical Components List 1				CE	3			
				Checked by	Date	20200618			信易電熱機械股份有限公司 Shini Plastics Technologies, Inc.		Voltage	3φ230V			
Mark	Before modification	Modified by	Modify date							Frequency	50/60Hz				
1	2	3	4	5	6	7	8								