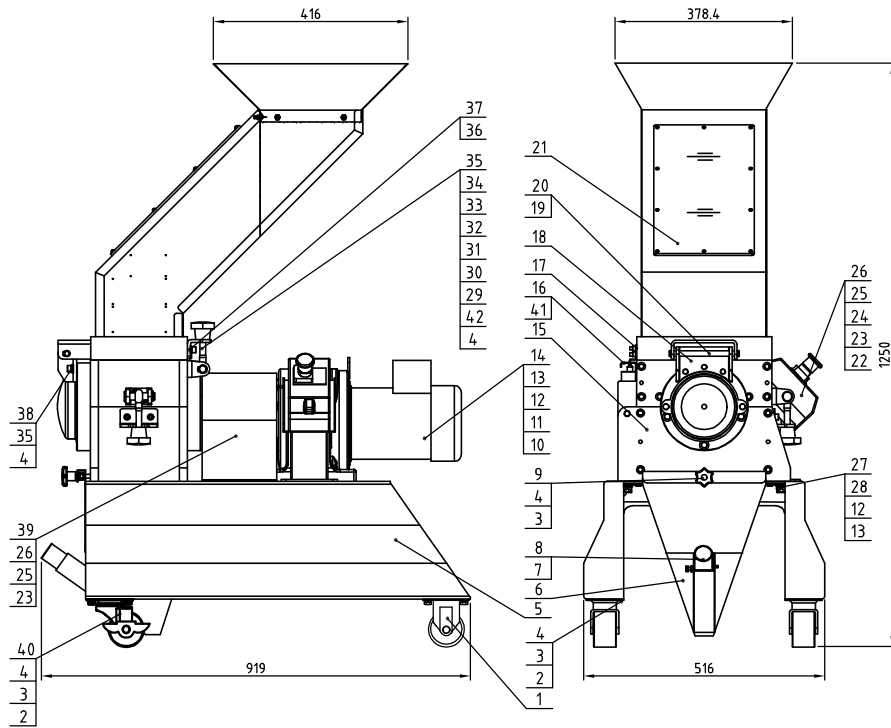


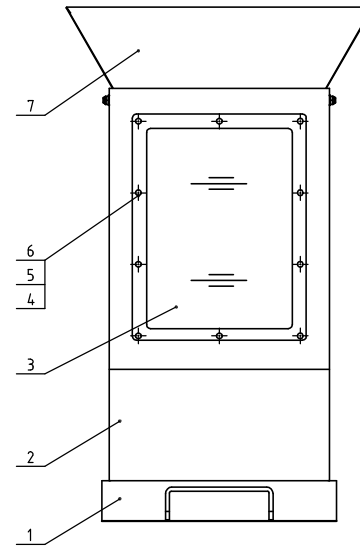
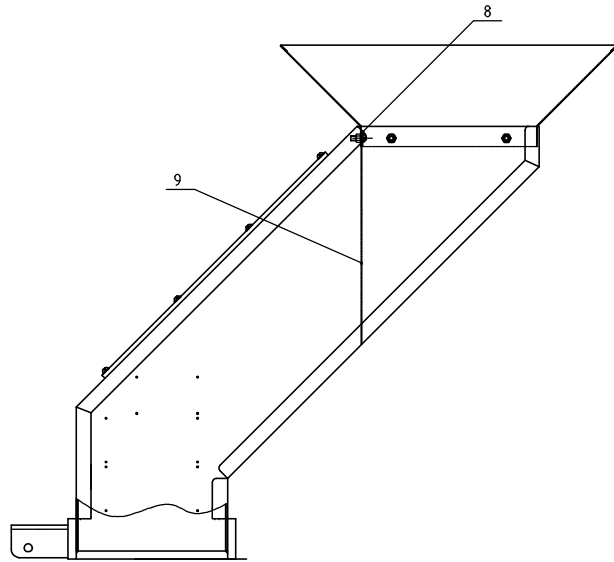
Weight (kg)	Noise level (dB(A))	Max. Crushing Ability (kg/h)	Cutting Chamber Size(mm)	Teeth Blade Qty.	Shaper Blade Qty.	Main Shaft Speed (r/min)	Motor Power (kw)	Ver.
160	80~85	5	240x175	2	1	27	1.1	A

- Note: 1) Cr12Mo1V1 corresponds to JAPAN JIS standard No. SKD11;
 2) Blade 5mm is standard, and blades of 4mm, 6mm are options;
 3) The max. crushing capacity depends on the granule and size;
 4) When granulating, the noise varies according to the granules and motor's configuration;
 5) To avoid material sticking to the blade, all plastic materials must be crushed under normal temp.
 6) Machine power: 3φ, 400VAC, 50Hz;



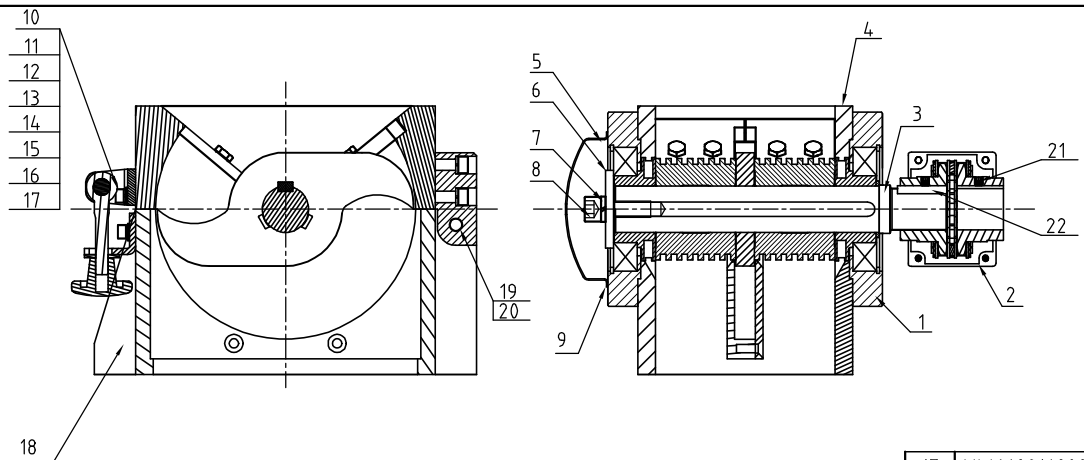
42	YW69001600000	Elastic ring for axes use GB/T 8616	SUS201	1	
41	YW61043500000	Inner hex. column head screw GB/T 6170 M6x29		2	
40	YW03000300900	US side black brake castor	Assembly	2	
39	--	Shaft coupling cover	SPCC1.5	1	
38	YW61082001200	Inner hex. column head screw GB/T 6170 M8x29		3	
37	YW61081000200	Inner hex. column head screw GB/T 6170 M6x29		1	
36	--	Positioning block	SUS201	1	
35	YW65008000100	Standard spring washer GB/T 93 8		9	
34	YW61081600000	Inner hex. column head screw GB/T 6170 M6x29		6	
33	--	Loading block	SPH6.0	1	
32	YW09160200000	Large star nut M2 STD-100-60KG-02-SJ	AL	1	
31	YW09301400000	Shaft pin(S6-30-C-03)	Q235A	1	
30	YW09003010500	Star nut	Q235A	1	
29	BL54300003920	Chain base	SPH	1	
28	YW61123000000	Inner hex. column head screw GB/T 6170 M6x29 Longine		4	
27	--	Storage feed plate	SUS201	2	
26	YW66061300000	Flat washer A grade GB/T 911 12.5x6x1.6 Longine		10	
25	YW65006000100	Standard spring washer GB/T 93 6 Longine		10	
24	YE10250400100	Switch NS2-25(2.5-4A)	Assembly	1	
23	YW61061200000	Inner hex. column head screw GB/T 6170 M6x29 Longine		10	
22	--	Switch fixed plate	Assembly welding	1	
21	--	Feed box assembly	Assembly	1	
20	YW69001200000	Elastic ring for axes use GB/T 894.1/2	SUS201	2	
19	BH10240400110	Feed box rotary shaft	SUS201	1	
18	--	Feed box hinge	SPH5.0	1	
17	--	Safety switch insert piece	SUS201	1	
16	--	Safety switch fixed piece	SUS201	1	
15	--	Cutting chamber assembly	Assembly	1	
14	YW64012100000	Hex. nut GB/T 6170 M12-Longine	4	4	
13	YW66024130000	Flat washer A grade GB/T 911 12.5x6x1.6 Longine	14.0HV	12	
12	YW65012000000	Standard spring washer GB/T 93 12-Longine	65Mn	8	
11	YW61260000000	Inner hex. column head screw GB/T 6170 M6x29 Longine		4	
10	YM50571100100	Gear motor B57-100-50S-MI-180	Assembly	1	
9	YR40083500000	Start handle B type MB-35	Assembly	1	
8	YW69621600000	Handle screw M6x20x16		1	
7	--	Suction pipe	SUS201(1.0)	1	
6	--	Material collective box	Assembly welding	1	
5	--	Base assembly	Assembly welding	1	
4	YW66081900000	Flat washer A grade GB/T 911 12.5x6x1.6 Longine	14.0HV	4.3	
3	YW64000800100	Hex. nut M8 anti-loose	4	17	
2	YW60082000200	Hex. ball GB/T 5778 M8-20-8-L Longine		16	
1	YW03000300500	US plate black brake castor 3"	Assembly	2	

No.	Material Number	Name	Mat.	Qty.	Remark																																								
<table border="1" style="width:100%; border-collapse: collapse;"> <tr> <td style="width:15%;"></td> <td style="width:15%;"></td> <td style="width:15%;"></td> <td style="width:15%;"></td> <td style="width:15%;"></td> <td style="width:15%;"></td> </tr> <tr> <td>制图</td> <td>版号</td> <td>标题</td> <td>图号</td> <td>比例</td> <td>数量</td> </tr> <tr> <td>设计</td> <td>核准</td> <td colspan="2">SG-L17</td> <td rowspan="2">1:1</td> <td rowspan="2">材质</td> </tr> <tr> <td>校对</td> <td></td> <td colspan="2">总成</td> </tr> <tr> <td>表面要求</td> <td colspan="4" style="text-align: center;"> 信易电热机械股份有限公司 Shini Plastics Technologies, Inc. </td> <td>物料号</td> </tr> <tr> <td>标记</td> <td>更改前</td> <td>更改后</td> <td>更改人</td> <td>日期</td> <td>审核</td> </tr> <tr> <td></td> <td></td> <td></td> <td></td> <td></td> <td>日期</td> </tr> </table>												制图	版号	标题	图号	比例	数量	设计	核准	SG-L17		1:1	材质	校对		总成		表面要求	信易电热机械股份有限公司 Shini Plastics Technologies, Inc.				物料号	标记	更改前	更改后	更改人	日期	审核						日期
制图	版号	标题	图号	比例	数量																																								
设计	核准	SG-L17		1:1	材质																																								
校对		总成																																											
表面要求	信易电热机械股份有限公司 Shini Plastics Technologies, Inc.				物料号																																								
标记	更改前	更改后	更改人	日期	审核																																								
					日期																																								



9	--	Material fender strip	White water-proof cloth	1	
8	--	Material fender strip pressing plate	SECC2.0	1	
7	--	Feed part	SUS201 0.8	1	
6	YW64000600200	Hex. nut M6 (anti-loose)	AZ-70	16	
5	YW66061300000	Flat washer A grade GB/T97.1 6	Longzine	30	
4	YW61061600100	Inner hex. flat round head screw GB/T97.1 6	Longzine	16	
3	BR90242700310	Sight glass	PC5.0	1	
2	--	Feed part body	Assembly Drawing	1	
1	--	Feed part inner frame	Assembly Drawing	1	
No.	Material number	Name	Mat.	Qty.	Remarks

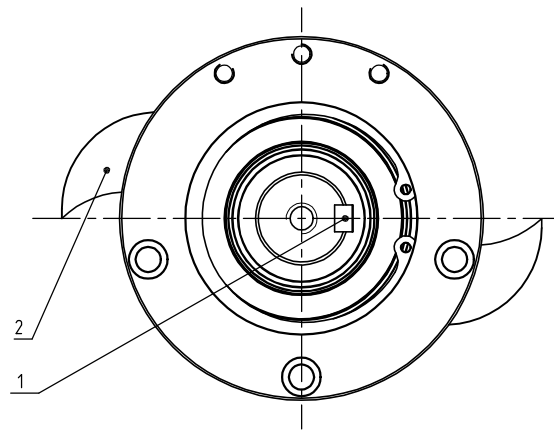
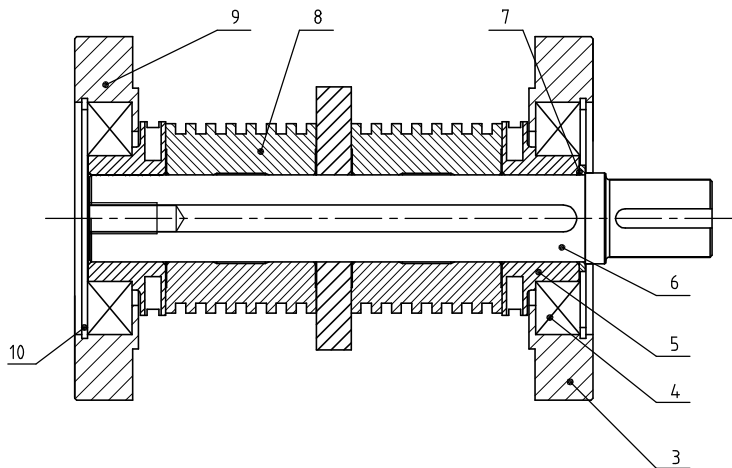
					制图	版号	标题	图号	比例	数量	
					设计	核	SG-L17		1:1	1	材质
					校对	准	进料箱总成				
					审核		SHINI 信易电热机械股份有限公司		表面要求		
标记	更改前	更改后	更改人	日期	审核	日期	Shini Plastics Technologies, Inc.		物料号		



17	YW66081600000	Flat washer A grade GB/T97.1(8.4×16×1.6)	Longzine	2	
16	YW65008000100	Standard spring washer GB/T93.8-Longzine	Longzine	2	
15	YW61082000200	Inner hex. column head screw GB/T70.1M8×20-12.9-Longzine	Longzine	2	
14	YW09160200000	Large star nut M12 SHD-100-600KG-02-SJ	AL	1	
13	YW69001600000	Elastic ring for axes use GB/T 894.1 16-A2-70(SUS)	A2-70	1	
12	YW09301400000	Shaft pin [SG-30-C-03]	Q235A	1	
11	YW09003010500	Star rod	Q235A	1	
10	BL54300003920	Hinge base	SPH	1	
9	YW61122000000	Inner hex. column head screw GB/T70.1M12×20-12.9	Longzine	2	
8	YW61640000000	Inner hex. column head screw GB/T70.1M16×40-12.9	Longzine	1	
7	YW65016200000	Standard spring washer GB/T 93.16	Longzine	1	
6	--	Gasket	SPH8.0	1	
5	BL51002402420	Bearing cover	SPCC1.2	1	

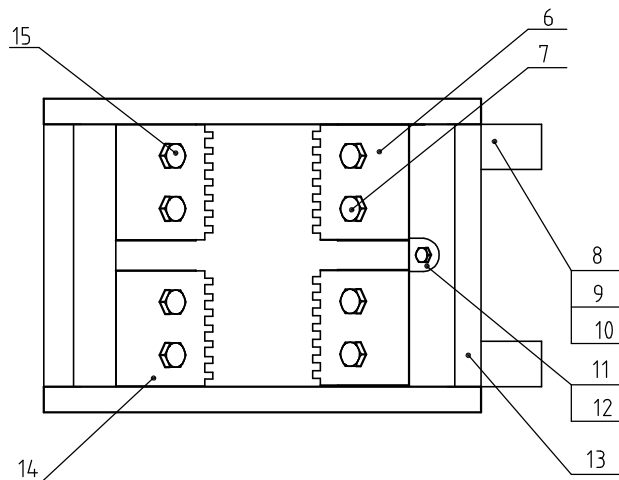
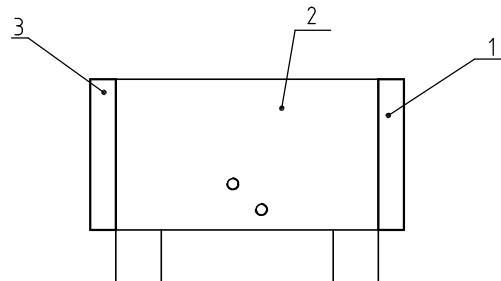
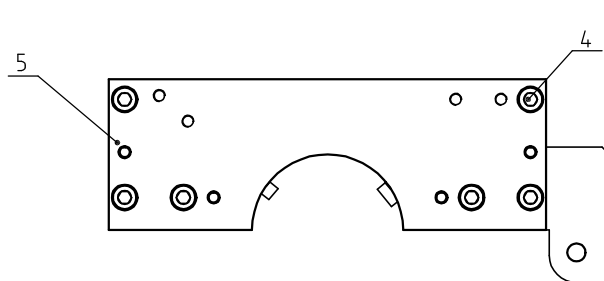
22	BH11161400010	Flat key 10×8×4.6.5	45	1		4	--	Cutting chamber upper case assembly	Assembly	1	
21	YW68081000000	Inner hex. flat end lock screw GB/T77M8×10	12.9	2		3	--	Blade rest assembly	Assembly	1	
20	YW69001200000	Elastic ring for axes use GB/T 894.1 12-A2-70(SUS)	A2-70	4		2	YW90501600100	Chain shaft coupling KC-5016	Assembly	1	
19	BH10240300210	Connecting shaft	SUS201	2		1	YW61123000000	Inner hex. column head screw GB/T70.1M12×30-12.9	Longzine	6	
18	--	Cutting chamber lower case assembly	Assembly	1		No.	Material number	Name	Mat.	Qty.	Remarks

					制图	版号	标题	SG-L17	图号	比例	数量
					设计	核准	粉碎室总成			材质	
					校对	核准	信易電熱機械股份有限公司 Shini Plastics Technologies, Inc.		表面要求		
标记	更改前	更改后	更改人	日期	审核	日期					物料号



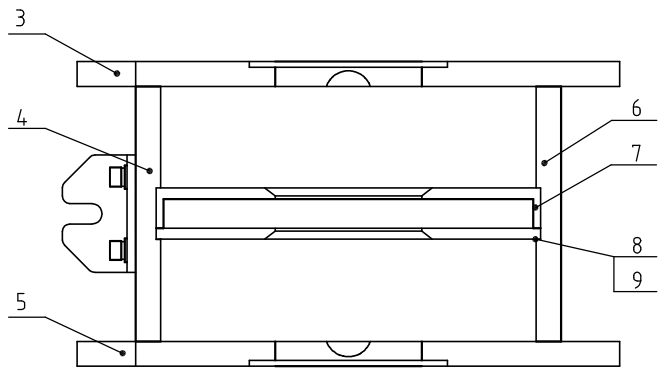
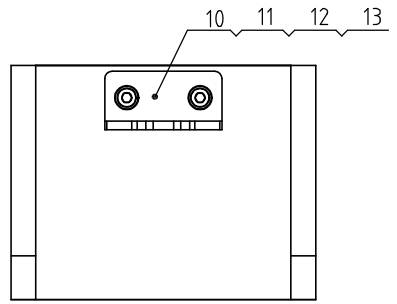
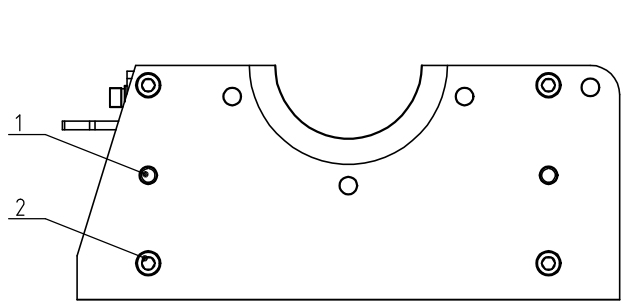
10	YW69012700000	Elastic ring for axes use GB/T 893.1 120	65Mn	2	
9	BW3024.0300010	Left bearing base	Q235A	1	
8	YW4.024.0100000	Teeth blade	Cr12MoV	2	
7	--	Shaft sleeve	SPCC3.0	1	
6	BH1024.1733410	Main shaft	40Cr	1	
5	BW30024.000210	Left shaft sleeve SG-24N-A-03	QT500-7	2	
4	YW11621300000	Bearing 6213-2RZ(RS)	Assembly	2	
3	BW3024.0100010	Right bearing base	Q235A	1	
2	YW4.024.0500000	Staggered blade	Cr12MoV	1	
1	BH1114.9200110	Flat key C14x9x251	45#	1	
No.	Material number	Name	Mat.	Qty.	Remarks

					制图	版号	标题	图号	比例	数量
					设计	核准	SG-L17			材质
					校对		信易電熱機械股份有限公司 Shini Plastics Technologies, Inc.		表面要求	
标记	更改前	更改后	更改人	日期	审核	日期			物料号	



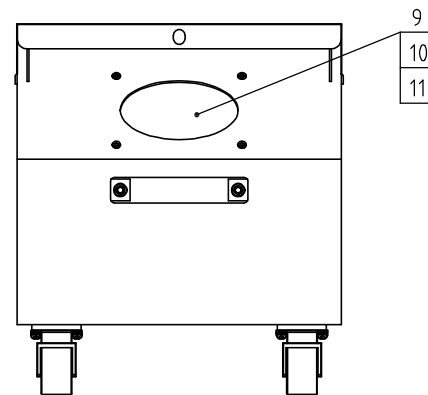
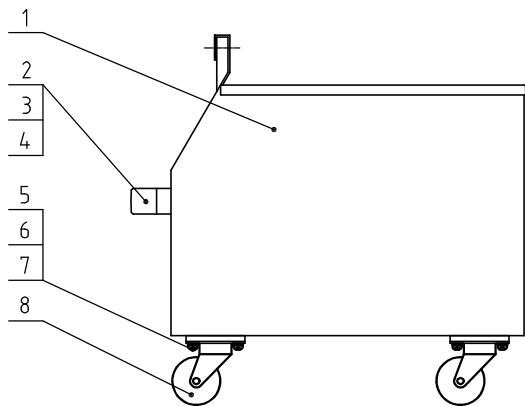
15	YW60103000200	Inner hex. bolt GB/T5783 M10x30-12.9	Longzine	4	
14	YW40240400000	Fixed rear blade	Cr12MoV	2	
13	BH10242790110	Upper case rear block	QT500-7	1	
12	YW60061500100	Inner hex. bolt GB/T5783 M6x16-12.9	Longzine	1	
11	YW40240300000	Fixed front blade F2	Cr12MoV	1	
10	YW65010000000	Standard spring washer GB/T93 10	Longzine	4	
9	YW61103500000	Inner hex. column head screw GB/T70.1 M10x35-12.9	Longzine	4	
8	BH10242300110	Hinge base	6061	2	
7	YW60103500200	Inner hex. bolt GB/T5783 M10x35-12.9	Longzine	4	
6	YW40240200000	Fixed front blade F1	Cr12MoV	2	
5	YW69083500000	Elastic round column pin GB/T 879.1 8x35	65Mn	8	
4	YW61103000100	Inner hex. column head screw GB/T70.1 M10x30-12.9	Longzine	12	
3	BH10242200010	Upper case left end pan	Q235	1	
2	BH10241733510	Upper case front case block	QT500-7	1	
1	BH10240200210	Upper case right end pan	Q235A	1	
No.	Material number	Name	Mat.	Qty.	Remarks

					制图	版号	标题	图号	比例	数量
					设计	核准	SG-L17			材质
					校对		粉碎室上箱总成			表面要求
标记	更改前	更改后	更改人	日期	审核	日期	信易電熱機械股份有限公司 Shini Plastics Technologies, Inc.		物料号	



13	--	Locking block	SPH6.0	1	
12	YW66081600000	Flat washer A grade GB/T97.1(8.4×16×1.6)	Longzine	2	
11	YW65008000100	Standard spring washer GB/T93 8	Longzine	2	
10	YW61082000200	Inner hex. column head screw GB/T70.1M6×20-12.9	Longzine	2	
9	YW61082000100	Inner hex. countersunk head screw GB/T70.3 M6×20-12.9	Longzine	2	
8	BH1024.4.4.00010	Middle plate 2	45	1	
7	BH1024.4.300010	Middle plate 1	45	1	
6	BH1024.1733710	Lower case rear block	Q235	1	
5	BH1024.4.200010	Lower case right end block	Q235	1	
4	BH1024.1733610	Lower case front block	Q235	1	
3	BH1024.4.100010	Lower case left end block	Q235	1	
2	YW61103000100	Inner hex. column head screw GB/T70.1 M10×30-12.9	Longzine	8	
1	YW69083500000	Elastic round column pin GB/T 879.1 8×35	65Mn	4	
No.	Material number	Name	Mat.	Qty.	Remarks

					制图	版号	标题	SG-L17	图号	比例	数量
					设计	核准	粉碎室下箱总成				材质
					校对	核准	信易電熱機械股份有限公司 Shini Plastics Technologies, Inc.			表面要求	
标记	更改前	更改后	更改人	日期	审核	日期				物料号	

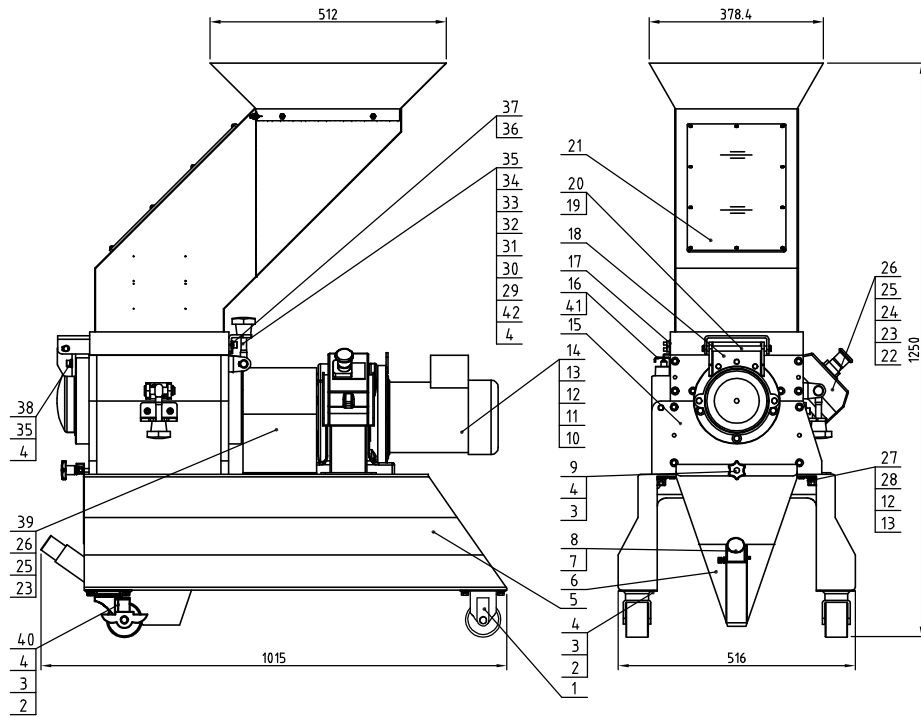


11	YW64040700100	Non-metal insert hex. lock nut GB/T889.1		4	
10	YW62041000000	Large cross recessed flat head screw JIS/M16x11		4	
9	BR90242750050	Sight glass transparent plate	Acrylic	1	
8	YW03000200000	Movable castor 2"	Assembly	4	
7	YW65005200000	Standard spring washer GB/T93 5	65Mn	16	
6	YW66051000000	Flat washer A grade GB/T91.15-Longzine	14.0HV	16	
5	YW63050800000	Cross recessed pan head screw GB/T4016-Longzine	Longzine	16	
4	YW64000800100	Non-metal insert hex. lock nut GB/T889.116		2	
3	YW61081600000	Inner hex. column head screw GB/T7118-6-2.5-Longzine		2	
2	BW20012000140	Handle	Assembly	1	
1	--	Manual storage bin	Assembly welding	1	
No.	Material number	Name	Mat.	Qty.	Remarks

					制图	版号	标题 SG-L17 人工收集型储料箱总成(选配)	图号	比例	数量
				设计	核 准	日期				材质
				校对						表面要求
标记	更改前	更改后	更改人	日期	审核	日期	信易电热机械股份有限公司 Shini Plastics Technologies, Inc.			物料号

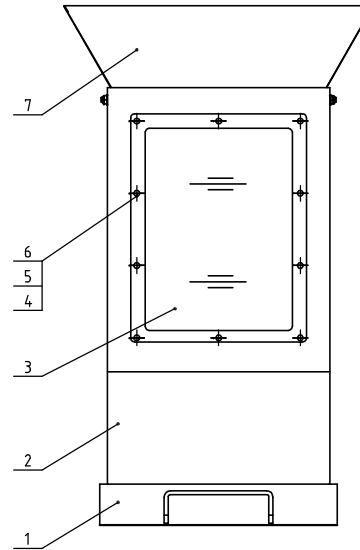
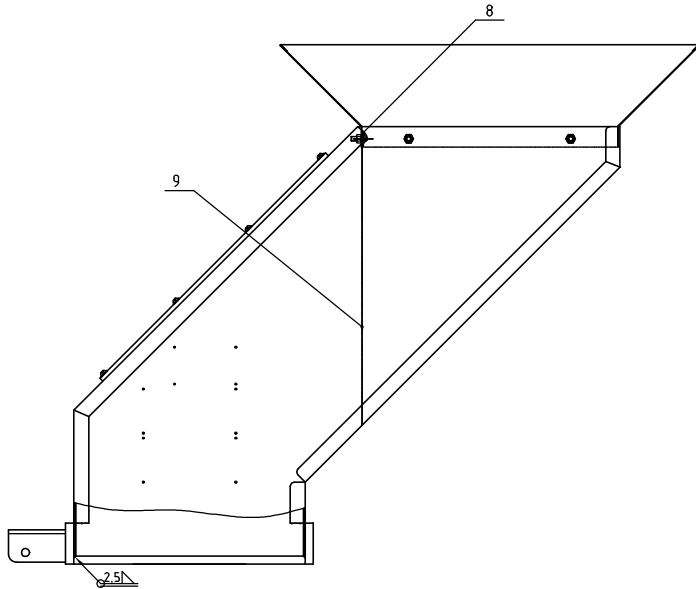
Weight (kg)	Noise level (dB(A))	Max. Crushing Ability (kg/h)	Cutting Chamber Size(mm)	Teeth Blade Qty.	Staggered Blade Qty.	Main Shaft Speed (r.p.m)	Motor Power (kw)	Ver.
200	80-85	10	24.0x27.0	3	2	27	15	A

- Note: 1) Cr12Mo1V1 corresponds to JAPAN JIS standard No. SKD11;
 2) Blade 5mm is standard, and blades of 4mm, 6mm are options;
 3) The max. crushing capacity depends on the granule and size;
 4) When granulating, the noise varies according to the granules and motor's configuration;
 5) To avoid material sticking to the blade, all plastic materials must be crushed under normal temp.
 6) Machine power: 3Φ, 4.00VAC, 50Hz;



42	YW69001600000	Elastic ring for axes use GB/T 89.116	SUS201	1	
41	YW61043500000	Inner hex. column head screw GB/T 196.25-19		2	
40	YW03000300900	US side black brake castor	Assembly	2	
39	--	Shaft coupling cover	SPCC1.5	1	
38	YW61082001200	Inner hex. column head screw GB/T 196.20-19		3	
37	YW61081000200	Inner hex. column head screw GB/T 196.20-19		1	
36	--	Polishing block	SUS201	1	
35	YW65008000100	Standard spring washer GB/T 193 8		9	
34	YW61081600000	Inner hex. column head screw GB/T 196.16-19		6	
33	--	Locking block	SPH6.0	1	
32	YW09160200000	Large star nut M12-SD-100-60WG-Q2-SJ	AL	1	
31	YW093014.00000	Shaft pin (S6-38-C-43)	Q235A	1	
30	YW09003010500	Star nut	Q235A	1	
29	BL54300003920	Chain base	SPH	1	
28	YW61123000000	Inner hex. column head screw GB/T 196.12-19		4	
27	--	Storage feed plate	SUS201	2	
26	YW66061300000	Flat water Agate GB/T 1911.66x12x14-Longine		10	
25	YW65006000100	Standard spring washer GB/T 193 6 Longzine		10	
24	YE102504.00100	Switch NS2-25(2.5-4A)	Assembly	1	
23	YW61061200000	Inner hex. column head screw GB/T 196.12-19		10	
22	--	Switch feed plate	Assembly welding	1	
21	--	Feather assembly	Assembly	1	
20	YW69001200000	Elastic ring for axes use GB/T 89.112	SUS201	2	
19	BH1024.04.00110	Feed bar rotary shaft	SUS201	1	
18	--	Feen bar hinge	SPH5.0	1	
17	--	Safety switch insert piece	SUS201	1	
16	--	Safety switch fixed piece	SUS201	1	
15	--	Cutting chamber assembly	Assembly	1	
14	YW64.012100000	Hex. nut GB/T 16170 M12-Longzine		4	
13	YW66024.1300000	Flat water Agate GB/T 1911.66x12x14-Longine	14.0HV	12	
12	YW65012000000	Standard spring washer GB/T 193 12-Longzine	65Mn	8	
11	YW61260000000	Inner hex. column head screw GB/T 196.12-19		4	
10	YM50571500100	Gear motor BPS7-100-S05-M1-180	Assembly	1	
9	YR4.0083500000	Start handle B type H8-35	Assembly	1	
8	YW69621600000	Handle screw M6x20x16		1	
7	--	Suction pipe	SUS201(1.0)	1	
6	--	Material collective box	Assembly welding	1	
5	--	Base assembly	Assembly welding	1	
4	YW66081900000	Flat water Agate GB/T 1911.66x12x14-Longine	14.0HV	4.3	
3	YW64.000800100	Hex. nut M8 anti-loose		17	
2	YW60082000200	Hex. bolt GB/T 5783.96-20-4.8-Longzine		16	
1	YW03000300500	US plate black brake castor ?	Assembly	2	

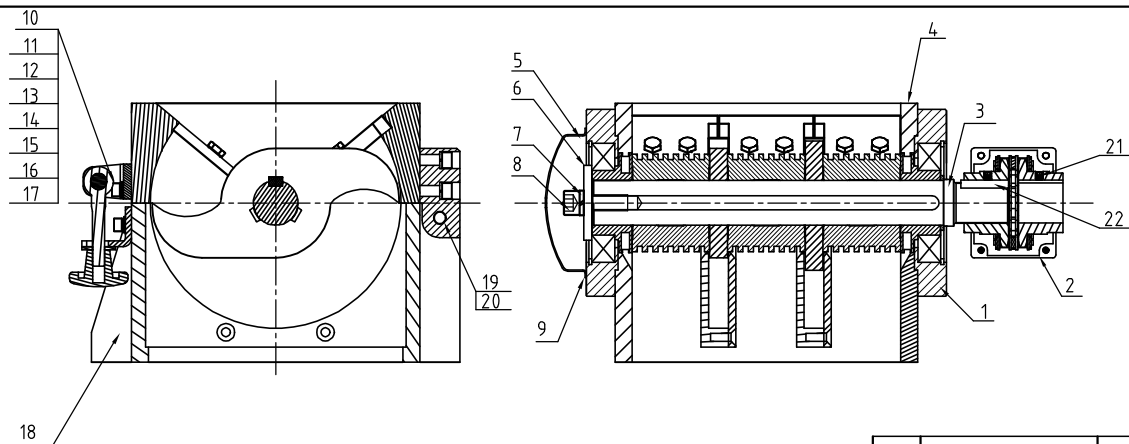
No.	Material Number	Name	Mat.	Qty.	Remark																														
<table border="1" style="width:100%; border-collapse: collapse;"> <tr> <td style="width:20%;"></td> <td style="width:20%;"></td> <td style="width:20%; text-align: center;">制图</td> <td style="width:20%; text-align: center;">版号</td> <td style="width:20%; text-align: center;">标题</td> <td style="width:20%; text-align: center;">图号</td> </tr> <tr> <td></td> <td></td> <td style="text-align: center;">设计</td> <td style="text-align: center;">核</td> <td style="text-align: center;">SG-L27</td> <td style="text-align: center;">总成</td> </tr> <tr> <td></td> <td></td> <td style="text-align: center;">校对</td> <td style="text-align: center;">准</td> <td colspan="2" rowspan="2" style="text-align: center;">SHINI 信易电热机械股份有限公司 Shini Plastics Technologies, Inc.</td> </tr> <tr> <td></td> <td></td> <td style="text-align: center;">审核</td> <td style="text-align: center;">日期</td> <td style="text-align: center;">表面要求</td> <td style="text-align: center;">材质</td> </tr> <tr> <td style="text-align: center;">标记</td> <td style="text-align: center;">更改前</td> <td style="text-align: center;">更改后</td> <td style="text-align: center;">更改人</td> <td style="text-align: center;">日期</td> <td style="text-align: center;">物料号</td> </tr> </table>								制图	版号	标题	图号			设计	核	SG-L27	总成			校对	准	SHINI 信易电热机械股份有限公司 Shini Plastics Technologies, Inc.				审核	日期	表面要求	材质	标记	更改前	更改后	更改人	日期	物料号
		制图	版号	标题	图号																														
		设计	核	SG-L27	总成																														
		校对	准	SHINI 信易电热机械股份有限公司 Shini Plastics Technologies, Inc.																															
		审核	日期			表面要求	材质																												
标记	更改前	更改后	更改人	日期	物料号																														



9	--	Material feeder strip	White water-proof cloth	1	
8	--	Material feeder strip pressing plate	SECC2.0	1	
7	--	Feeder part	SUS201 0.8	1	
6	YW6400600200	Hex nut M6 (anti-loose)	A2-70	16	
5	YW66061300000	Flat washer A grade GB/T97.1 6	Longzine	30	
4	YW61061600100	Inner hex flat head screw GB/T70.2 M6x6-12.9	Longzine	16	
3	BR9024.2700310	Sight glass	PC5.0	1	
2	--	Feeder part body	Assembly Drawing	1	
1	--	Feeder part lower frame	Assembly Drawing	1	

No.	Material number	Name	Mat.	Qty.	Remarks
		制图			
		设计			
		校对			
		审核			
		版号			
		标题	SG-L27		
			进料箱总成		
			比例	数量	
			表面要求	材质	
			物料号		

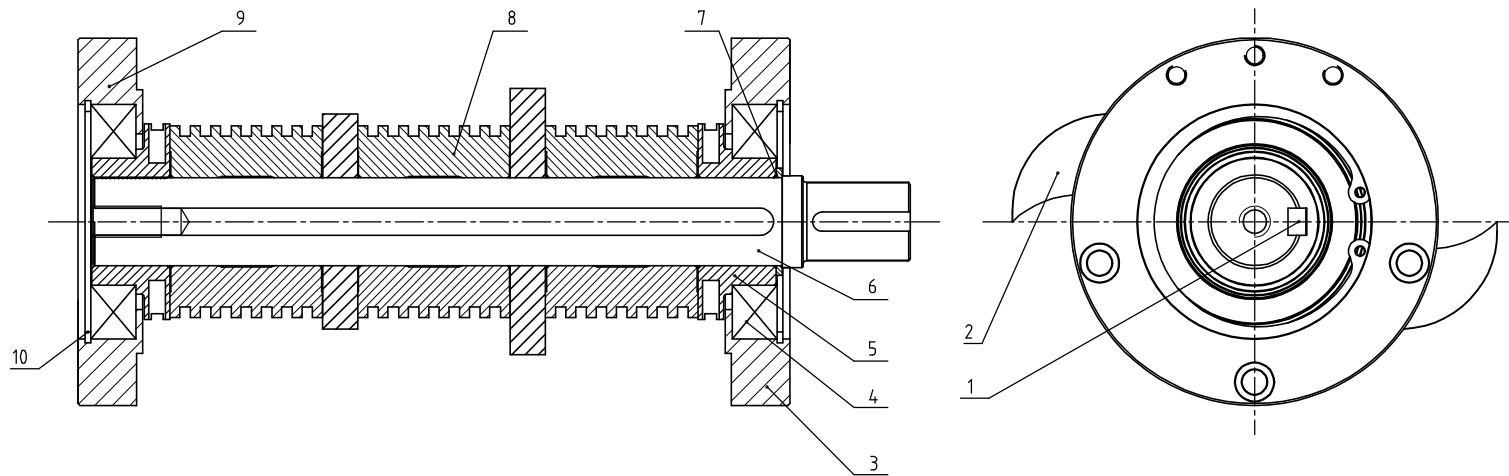





17	YW66081600000	Flat washer A grade GB/T97.118.4×16×1.6	Longzine	2	
16	YW65008000100	Standard spring washer GB/T93 8-Longzine	Longzine	2	
15	YW61082000200	Inner hex. column head screw GB/T70.1 M6×70-12.9-Longzine	Longzine	2	
14	YW09160200000	Large star nut M12 SHD-100-600KG-02-SJ	AL	1	
13	YW69001600000	Elastic ring for axes use GB/T 894.1 16-A2-70(SUS)	A2-70	1	
12	YW09301400000	Shaft pin (SG-30-C-03)	Q235A	1	
11	YW09003010500	Star rod	Q235A	1	
10	BL54300003920	Hinge base	SPH	1	
9	YW61122000000	Inner hex. column head screw GB/T70.1 M12×20-12.9	Longzine	2	
8	YW61640000000	Inner hex. column head screw GB/T70.1 M16×40-12.9	Longzine	1	
7	YW65016200000	Standard spring washer GB/T93 16	Longzine	1	
6	--	Gasket	SPH8.0	1	
5	BL51002402420	Bearing cover	SPCC1.2	1	
4	--	Cutting chamber upper case assembly	Assembly	1	
3	--	Blade rest assembly	Assembly	1	
2	YW90501600100	Chain shaft coupling KC-5016	Assembly	1	
1	YW61123000000	Inner hex. column head screw GB/T70.1 M12×30-12.9	Longzine	6	
No.	Material number	Name	Mat.	Qty.	Remarks

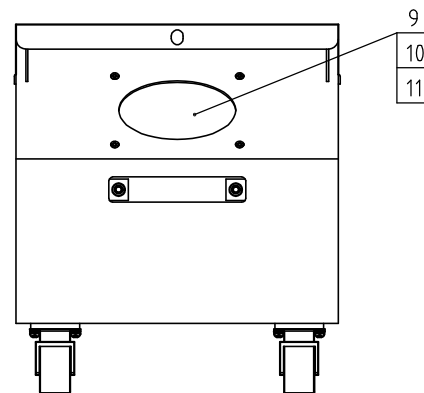
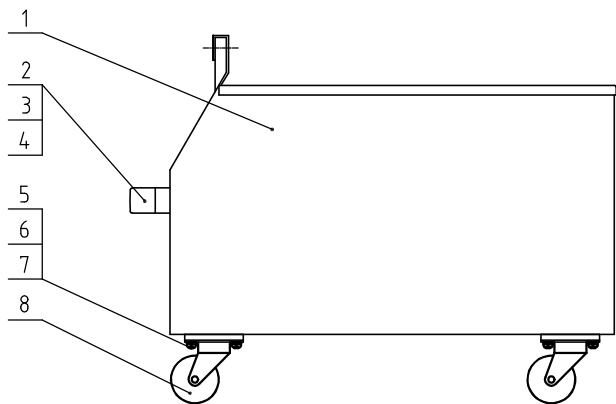
22	BH11161400010	Flat key 10×8×4.6.5	45	1	
21	YW68081000000	Inner hex. flat end lock screw GB/T77 M8×10	12.9	2	
20	YW69001200000	Elastic ring for axes use GB/T 894.1 12-A2-70(SUS)	A2-70	4	
19	BH10240300210	Connecting shaft	SUS201	2	
18	--	Cutting chamber lower case assembly	Assembly	1	

				制图	版号	标题	图号	比例	数量
				设计	核准	SG-L27		⊕	材质
				校对		粉碎室总成			
				审核		信易電熱機械股份有限公司 Shini Plastics Technologies, Inc.	表面要求		
标记	更改前	更改后	更改人	日期	日期		物料号		



10	YW69012700000	Elastic ring for axes use GB/T 893.1 120	65Mn	2	
9	BW30240300010	Left bearing base	Q235A	1	
8	YW40240100000	Teeth blade	Cr12MoV	3	
7	--	Shaft sleeve	SPCC3.0	1	
6	BH10242700710	Main shaft	40Cr	1	
5	BW30024000210	Left shaft sleeve SG-24N-A-03	QT500-7	2	
4	YW11621300000	Bearing 6213-2RZ(IRS)	Assembly	2	
3	BW30240100010	Right bearing base	Q235A	1	
2	YW40240500000	Staggered blade	Cr12MoV	2	
1	BH11149300010	Flat key C14×9×347	45#	1	
No.	Material number	Name	Mat.	Qty.	Remarks

					制图	版号	标题	图号	比例	数量
					设计	核	SG-L27		1:1	1
					校对	准	刀架组合		☉	材质
标记	更改前	更改后	更改人	日期	审核	日期	 信易電熱機械股份有限公司 Shini Plastics Technologies, Inc.	表面要求		
								物料号		

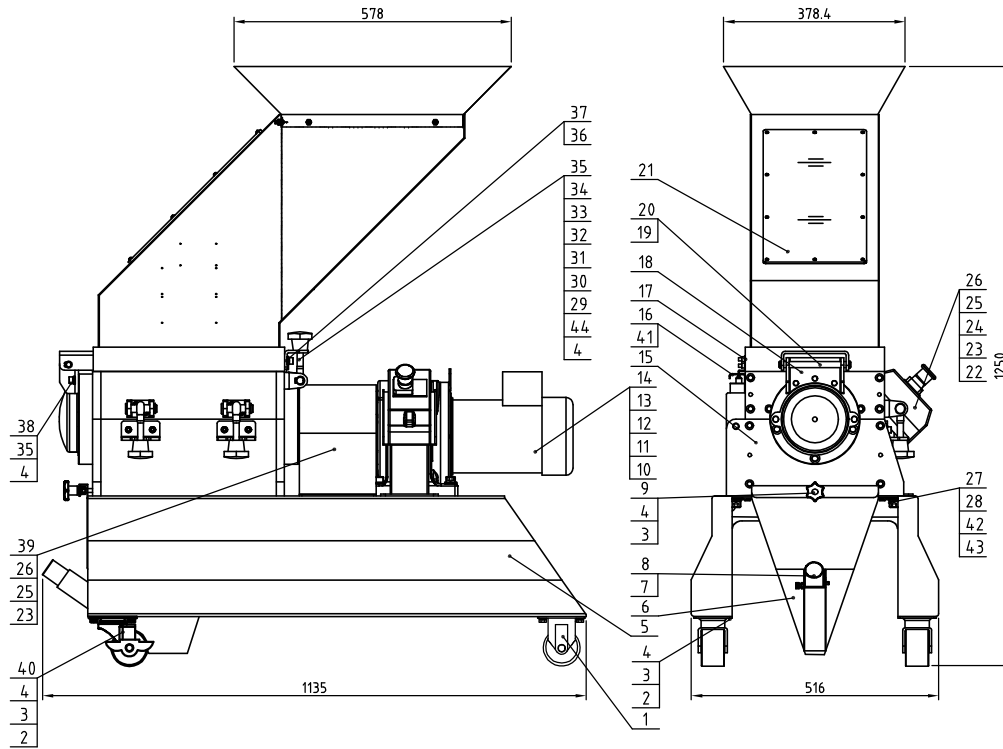


11	YW64.04.0700100	Non-metal insert hex. lock nut GB/T889.1		4	
10	YW6204.1000000	Large cross recessed flat head screw JS111 Mx10		4	
9	BR9024.2750050	Sight glass transparent plate	Acrylic	1	
8	YW03000200000	Movable castor 2"	Assembly	4	
7	YW65005200000	Standard spring washer GB/T93 5	65Mn	16	
6	YW66051000000	Flat washer A grade GB/T97.15-Longzine	14.0HV	16	
5	YW63050800000	Cross recessed pan head screw GB/T8195-Longzine	Longzine	16	
4	YW64.000800100	Non-metal insert hex. lock nut GB/T889.1		2	
3	YW61081600000	Inter hex. column head screw GB/T7111 Mx16-29-Longzine		2	
2	BW20012000140	Handle	Assembly	1	
1	--	Manual storage bin	Assembly welding	1	
No.	Material number	Name	Mat.	Qty.	Remarks

					制图	版号	标题	SG-L27	图号	比例	数量
					设计	核准		人工收集型储料箱总成(选配)		表面要求	材质
					校对			信易电热机械股份有限公司	物料号		
标记	更改前	更改后	更改人	日期	审核	日期		Shini Plastics Technologies, Inc.			

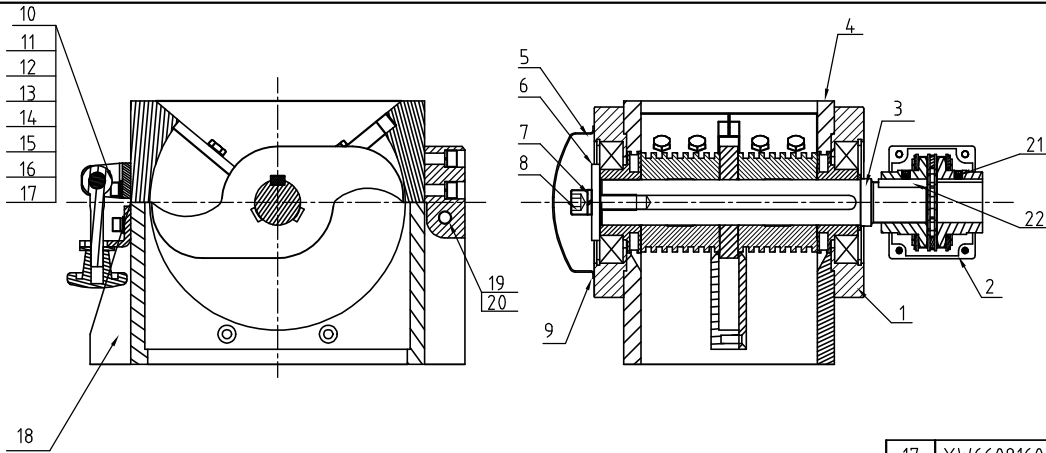
Weight (kg)	Noise level (dB(A))	Max. Crushing Ability (kg/h)	Cutting Chamber Size(mm)	Teeth Blade Qty.	Staggered Blade Qty.	Main Shaft Speed (r.p.m)	Motor Power (kw)	Ver.
24.0	80~85	15	24.0x365	4	3	27	2.2	A

- Note: 1) Cr12Mo1V1 corresponds to JAPAN JIS standard No. SKD11;
2) Blade 5mm is standard, and blades of 4mm, 6mm are options;
3) The max. crushing capacity depends on the granule and size;
4) When granulating, the noise varies according to the granules and motor's configuration;
5) To avoid material sticking to the blade, all plastic materials must be crushed under normal temp.
6) Machine power: 3φ, 400VAC, 50Hz;



4.4	YW69001600000	Elastic ring for axes use GB/T8918	SUS201	1	
4.3	YW66024130000	Flat washer Agrade GB/T9110(S50x42)-Longline	14.0HV	4	
4.2	YW65012000000	Standard spring washer GB/T93 12-Longline	65Mn	4	
4.1	YW61043500000	Inner hex. column head screw GB/T91.14(S42)-8-8		2	
4.0	YW03000300900	US side black brake castor 3"	Assembly	2	
3.9	--	Shaft cooling cover	SPCC15	1	
3.8	YW61082001200	Inner hex. column head screw GB/T91.14(S42)-8-8		3	
3.7	YW61081000200	Inner hex. column head screw GB/T91.14(S42)-8-8		1	
3.6	--	Positioning block	SUS201	1	
3.5	YW65008000100	Standard spring washer GB/T93 8		9	
3.4	YW61081600000	Inner hex. column head screw GB/T91.14(S42)-8-8		6	
3.3	--	Locking block	SPH6.0	1	
3.2	YW09160200000	Large star nut M2-S4D-100-600G-42-SJ	AL	1	
3.1	YW09301400000	Shaft pin (S6-30-c-43)	Q235A	1	
3.0	YW09003010500	Star nut	Q235A	1	
2.9	BL54300003920	Chain base	SPH	1	
2.8	YW61123000000	Inner hex. column head screw GB/T91.14(S42)-8-8		4	
2.7	--	Strengthen fixed plate	SUS201	2	
2.6	YW66061300000	Flat washer Agrade GB/T9110(S50x42)-Longline		10	
2.5	YW65006000100	Standard spring washer GB/T93 6-Longline		10	
2.4	YE40406300000	Switch NS2-25(4-6.3A)	Assembly	1	
2.3	YW61061200000	Inner hex. column head screw GB/T91.14(S42)-8-8		10	
2.2	--	Switch fixed plate	Assembly welding	1	
2.1	--	Feedbox assembly	Assembly	1	
2.0	YW69001200000	Elastic ring for axes use GB/T891.12	SUS201	2	
1.9	BH1024.04.00110	Feed bar rotary shaft	SUS201	1	
1.8	--	Feed bar hinge	SPH5.0	1	
1.7	--	Safety switch insert piece	SUS201	1	
1.6	--	Safety switch fixed piece	SUS201	1	
1.5	--	Cutting chamber assembly	Assembly	1	
1.4	YW64.012100000	Hex. nut GB/T6170 M12-Longline	4	4	
1.3	YW66024130000	Flat washer Agrade GB/T9110(S50x42)-Longline	14.0HV	8	
1.2	YW65012000000	Standard spring washer GB/T93 12-Longline	65Mn	4	
1.1	YW61126500000	Inner hex. column head screw GB/T91.14(S42)-8-8	12.9	4	
1.0	YM50572200100	Gear motor BF57-2200-S05-M1-180	Assembly	1	
9	YR40083500000	Start handle B type M8x35	Assembly	1	
8	YW69621600000	Handle screw M6x20x165		1	
7	--	Suction pipe	SUS201(1.0)	1	
6	--	Material collective box	Assembly welding	1	
5	--	Base assembly	Assembly welding	1	
4	YW66081900000	Flat washer Agrade GB/T9110(S50x42)-Longline	14.0HV	4.3	
3	YW64.000800100	Hex. nut M8-anti-loose	4	17	
2	YW60082000200	Hex. bolt GB/T5782M8-2H-8.8-Longline		16	
1	YW03000300500	US plate black brake castor 3"	Assembly	2	
No.	Material Number	Name	Mat.	Qty.	Remark

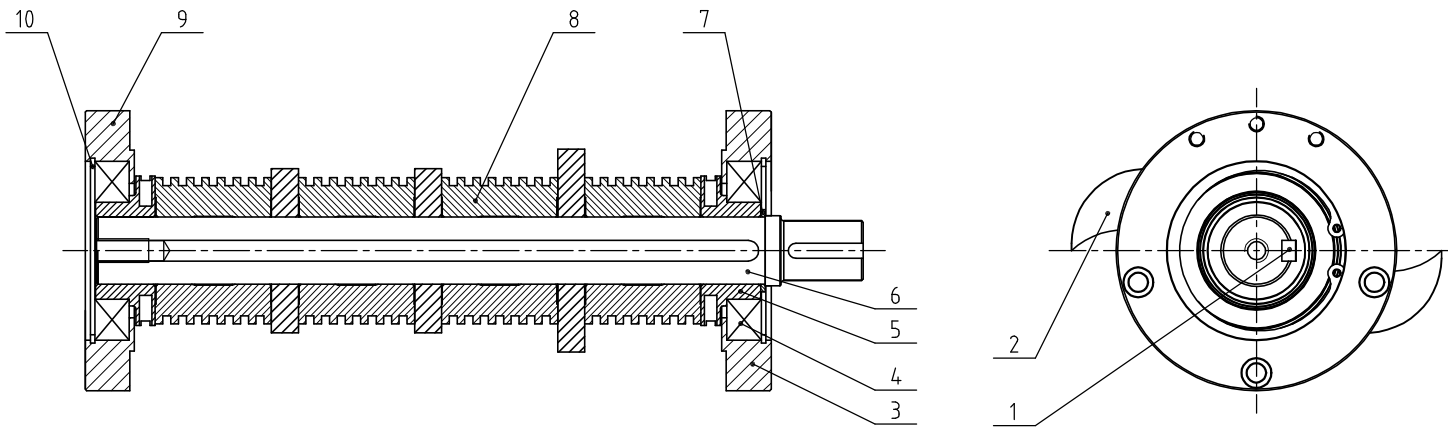
标记	更改前	更改后	更改人	日期	制图	版号	标题	图号	比例	数量	材质
					设计	核准	SG-L36				
					校对		总成				
					审核		SHINI 信易电热机械股份有限公司				表面要求
							Shini Plastics Technologies, Inc.				物料号



17	YW6608160000	Flat washer A grade GB/T97.1/8.4×16×1.6	Longzine	2	
16	YW65008000100	Standard spring washer GB/T93.8-Longzine	Longzine	2	
15	YW61082000200	Inner hex. column head screw GB/T70.1M8×20-12.9-Longzine	Longzine	2	
14	YW09160200000	Large star nut M12 SHD-100-600KG-02-SJ	AL	1	
13	YW69001600000	Elastic ring for axes use GB/T 894.1 16-A2-70(SUS)	A2-70	1	
12	YW09301400000	Shaft pin (SG-30-C-03)	Q235A	1	
11	YW09003010500	Star rod	Q235A	1	
10	BL54300003920	Hinge base	SPH	1	
9	YW61122000000	Inner hex. column head screw GB/T70.1M12×20-12.9	Longzine	2	
8	YW61640000000	Inner hex. column head screw GB/T70.1M16×40-12.9	Longzine	1	
7	YW65016200000	Standard spring washer GB/T 93 16	Longzine	1	
6	--	Gasket	SPH8.0	1	
5	BL51002402420	Bearing cover	SPCC1.2	1	
4	--	Cutting chamber upper case assembly	Assembly	1	
3	--	Blade rest assembly	Assembly	1	
2	YW90501600100	Chain shaft coupling KC-5016	Assembly	1	
1	YW61123000000	Inner hex. column head screw GB/T70.1M12×30-12.9	Longzine	6	
No.	Material number	Name	Mat.	Qty.	Remarks

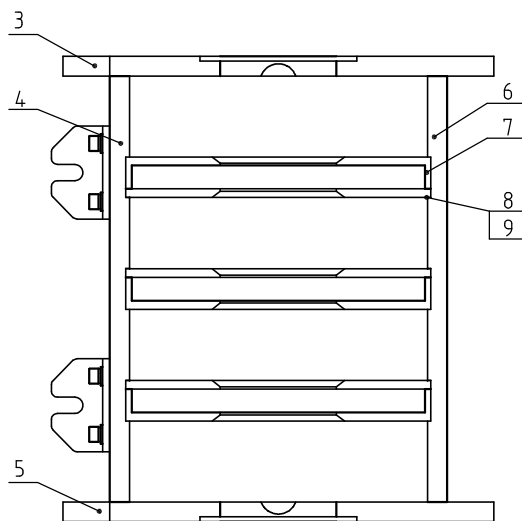
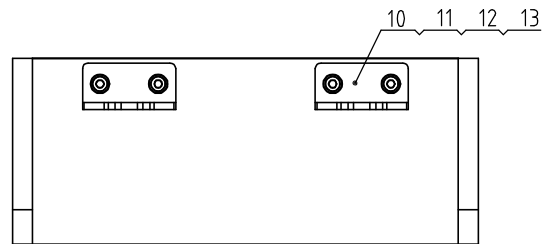
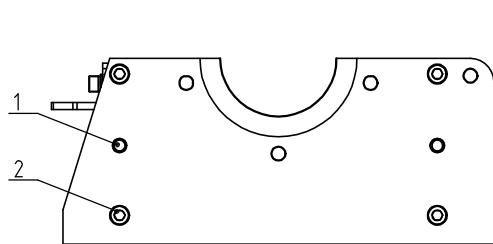
22	BH11161400010	Flat key 10×8×4.6.5	45	1	
21	YW68081000000	Inner hex. flat end lock screw GB/T77M8×10	12.9	2	
20	YW69001200000	Elastic ring for axes use GB/T 894.1 12-A2-70(SUS)	A2-70	4	
19	BH10240300210	Connecting shaft	SUS201	2	
18	--	Cutting chamber lower case assembly	Assembly	1	

					制图	版号	标题	图号	比例	数量
					设计	核准	SG-L36		材质	
					校对		粉碎室总成			表面要求
标记	更改前	更改后	更改人	日期	审核	日期	信易电热机械股份有限公司 Shini Plastics Technologies, Inc.		物料号	



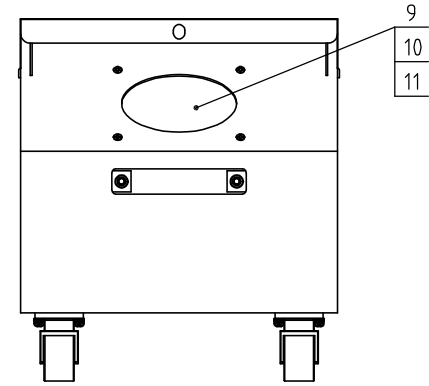
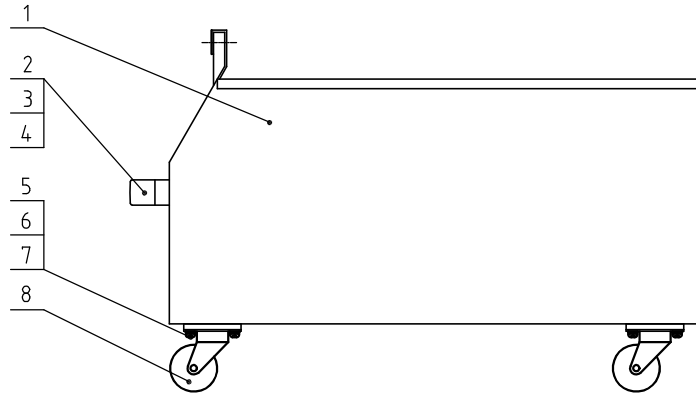
10	YW69012700000	flask ring for axes use GB/T 893.1120	65Mn	2	
9	BW3024.0300010	Left bearing base	Q235A	1	
8	YW4024.0100000	Teeth blade	Cr12MoV	4	
7	--	Shaft sleeve	SPCC3.0	1	
6	BH1024.3601510	Main shaft	40Cr	1	
5	BW30024.000210	Left shaft sleeve SG-24N-A-03	QT500-7	2	
4	YW11621300000	Bearing 6213-2RZ(RS)	Assembly	2	
3	BW3024.0100010	Right bearing base	Q235A	1	
2	YW4024.0500000	Staggered blade	Cr12MoV	3	
1	BH1114.9400010	Flat key C14x9x443	45#	1	
No.	Material number	Name	Mat.	Qty.	Remarks

					制图	版号	标题	图号	比例	数量
					设计	核准	SG-L36		1:1	3
					校对		刀架组合		表面要求	材质
标记	更改前	更改后	更改人	日期	审核	日期	 信易電熱機械股份有限公司 Shini Plastics Technologies, Inc.		物料号	



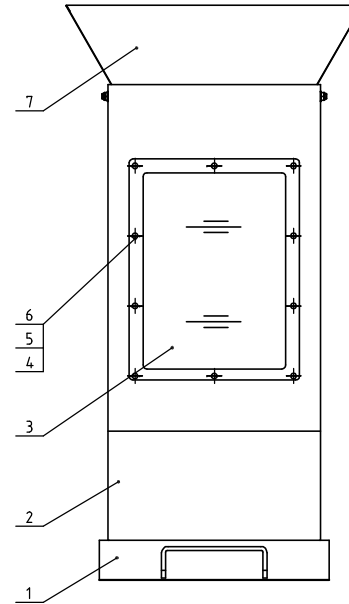
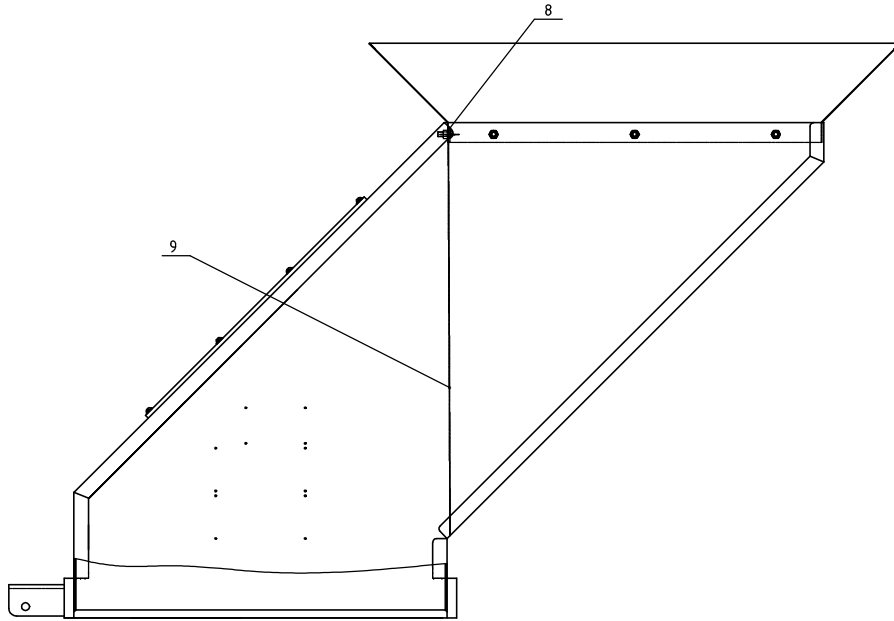
13	--	Locking block	SPH6.0	2	
12	YW66081600000	Flat washer A grade GB/T97.1(8.4×16×1.6)	Longzine	4	
11	YW65008000100	Standard spring washer GB/T93 8	Longzine	4	
10	YW61082000200	Inner hex. column head screw GB/T70.1 M6×20-129	Longzine	4	
9	YW61082000100	Inner hex. countersunk head screw GB/T70.3 M6×20-129	Longzine	6	
8	BH10244400010	Middle plate 2	45	3	
7	BH10244300010	Middle plate 1	45	3	
6	BH10243601310	Lower case rear block	Q235	1	
5	BH10244200010	Lower case right end block	Q235	1	
4	BH10243601210	Lower case front block	Q235	1	
3	BH10244100010	Lower case left end block	Q235	1	
2	YW61103000100	Inner hex. column head screw GB/T70.1 M10×30-129	Longzine	8	
1	YW69083500000	Elastic round column pin GB/T 879.1 8×35	65Mn	4	
No.	Material number	Name	Mat.	Qty.	Remarks

					制图	版号	标题	图号	比例	数量
					设计	核准	SG-L36			材质
					校对		粉碎室下箱总成			表面要求
标记	更改前	更改后	更改人	日期	审核	日期	信易電熱機械股份有限公司 Shini Plastics Technologies, Inc.		物料号	



11	YW64040700100	Non-metal insert hex. lock nut GB/T889.1		4	
10	YW62041000000	Large cross recessed flat head screw J5111 M6.40		4	
9	BR90242750050	Sight glass transparent plate	Acrylic	1	
8	YW03000200000	Movable castor 2"	Assembly	4	
7	YW65005200000	Standard spring washer GB/T193 5	65Mn	16	
6	YW66051000000	Flat washer A grade GB/T97.15-Longzine	14.0HV	16	
5	YW63050800000	Cross recessed pan head screw GB/T8195-Longzine	Longzine	16	
4	YW64000800100	Non-metal insert hex. lock nut GB/T889.1M6		2	
3	YW61081600000	Inner hex. column head screw GB/T7111 M6-12.9-Longzine		2	
2	BW20012000140	Handle	Assembly	1	
1	--	Manual storage bin	Assembly welding	1	
No.	Material number	Name	Mat.	Qty.	Remarks

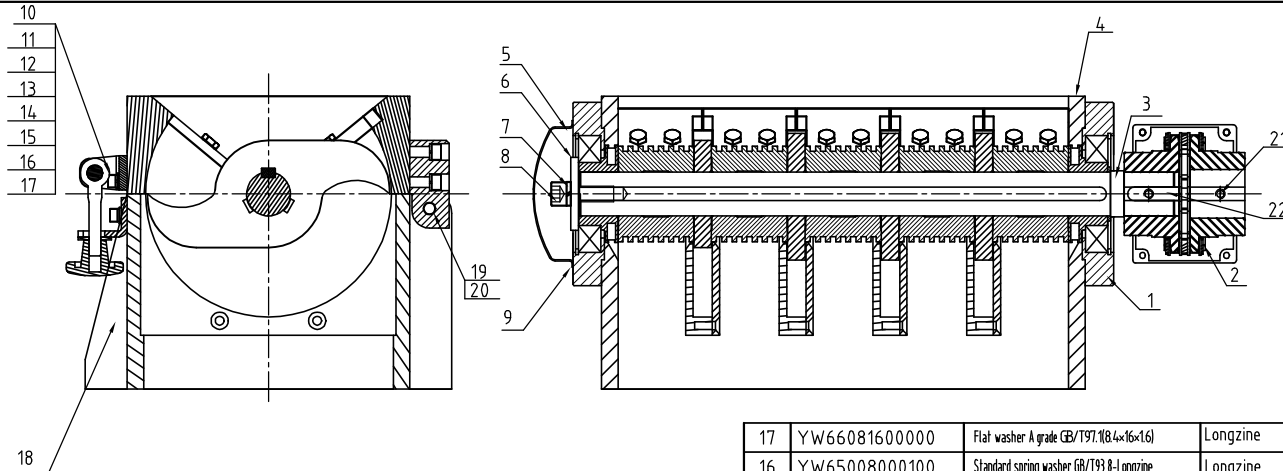
					制图	版号	标题	SG-L36	图号	比例	数量
					设计	核准					材质
					校对	核准		信易电热机械股份有限公司 Shini Plastics Technologies, Inc.	表面要求 物料号		
标记	更改前	更改后	更改人	日期	审核	日期					



9	--	Material feeder strip	White water-proof cloth	1	
8	--	Material feeder strip pressing plate	SECC2.0	1	
7	--	Feed part	SUS201 0.8	1	
6	YW64000600200	Hex. nut M6 (anti-rust)	A2-70	18	
5	YW66061300000	Rib washer & gasket GB/T191.1 6	Longzine	34	
4	YW61061600100	Hex. rib round head screw GB/T170.2 M6x16-12.9	Longzine	18	
3	BR9024.2700310	Sight glass	PC5.0	1	
2	--	Feed part body	Assembly Drawing	1	
1	--	Feed part lower frame	Assembly Drawing	1	
No.	Material number	Name	Mat.	Qty.	Remarks

					制图	版号
					设计	核
					校对	准
标记	更改前	更改后	更改人	日期	审核	日期

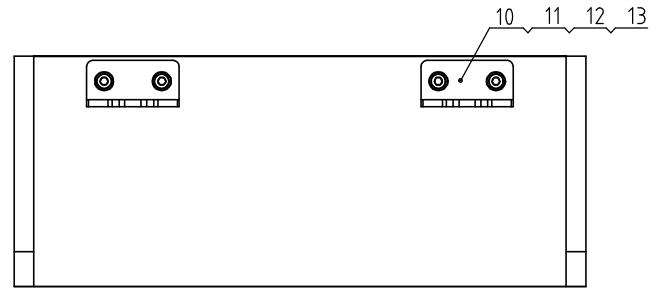
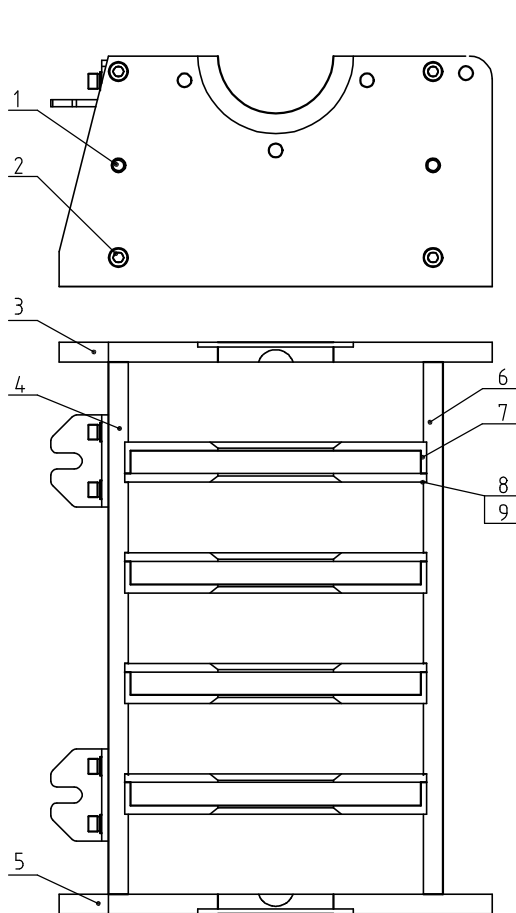
标题	SG-L46	图号		比例	数量
	进料箱总成			1:1	材质
信昌电热机械股份有限公司 Shini Plastics Technologies, Inc.				表面要求	
				物料号	



17	YW66081600000	Flat washer A grade GB/T97.1(8.4×16×1.6)	Longzine	4	
16	YW65008000100	Standard spring washer GB/T93 8-Longzine	Longzine	4	
15	YW61082000200	Inner hex. column head screw GB/T70.1M6×20-12.9-Longzine	Longzine	4	
14	YW09160200000	Large star nut M12 SHD-100-600KG-02-SJ	AL	2	
13	YW69001600000	Elastic ring for axes use GB/T 894.1 16-A2-70(SUS)	A2-70	2	
12	YW09301400000	Shaft pin (SG-30-C-03)	Q235A	2	
11	YW09003010500	Star rod	Q235A	2	
10	BL54300003920	Hinge base	SPH	2	
9	YW61122000000	Inner hex. column head screw GB/T70.1M12×20-12.9	Longzine	2	
8	YW61640000000	Inner hex. column head screw GB/T70.1M16×40-12.9	Longzine	1	
7	YW65016200000	Standard spring washer GB/T93 16	Longzine	1	
6	--	Gasket	SPH8.0	1	
5	BL51002402420	Bearing cover	SPCC1.2	1	
4	--	Cutting chamber upper case assembly	Assembly	1	
3	--	Blade rest assembly	Assembly	1	
2	YW90601800100	Chain shaft coupling KC-5016	Assembly	1	
1	YW61123000000	Inner hex. column head screw GB/T70.1M12×30-12.9	Longzine	6	
No.	Material number	Name	Mat.	Qty.	Remarks

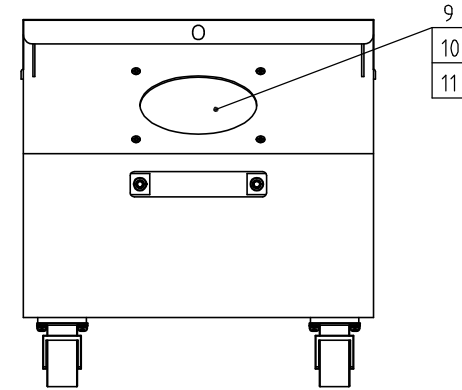
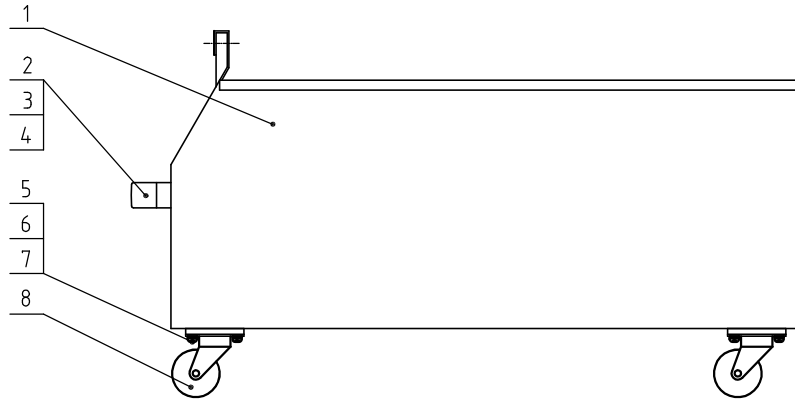
22	BH11149448110	Flat key 14×9×4.8	45	1	
21	YW68080500000	Inner hex. flat end lock screw GB/T7718-10	12.9	2	
20	YW69001200000	Elastic ring for axes use GB/T 894.1 12-A2-70(SUS)	A2-70	4	
19	BH10240300210	Connecting shaft	SUS201	2	
18	--	Cutting chamber lower case assembly	Assembly	1	

				制图	版号	标题	图号	比例	数量
				设计	核准	SG-L46		1:1	材质
				校对		粉碎室总成			
				审核		SHINI 信易電熱機械股份有限公司 Shini Plastics Technologies, Inc.	表面要求		
标记	更改前	更改后	更改人	日期	日期		物料号		



13	--	Locking block	SPH6.0	2	
12	YW66081600000	Flat washer A grade GB/T97.1(8.4×16×1.6)	Longzine	4	
11	YW65008000100	Standard spring washer GB/T93 8	Longzine	4	
10	YW61082000200	Inner hex. column head screw GB/T70.1M8×20-12.9	Longzine	4	
9	YW61082000100	Inner hex. countersink head screw GB/T70.3 M8×20-12.9	Longzine	8	
8	BH1024.4400010	Middle plate 2	45	4	
7	BH1024.4300010	Middle plate 1	45	4	
6	BH1024.4602410	Lower case rear block	Q235	1	
5	BH1024.4604410	Lower case right end block	Q235	1	
4	BH1024.4602510	Lower case front block	Q235	1	
3	BH1024.4604310	Lower case left end block	Q235	1	
2	YW61103000100	Inner hex. column head screw GB/T70.1M10×30-12.9	Longzine	8	
1	YW69083500000	Elastic round column pin GB/T 879.1 8×35	65Mn	4	
No.	Material number	Name	Mat.	Qty.	Remarks

					制图	版号	标题		图号	比例	数量
					设计	核	SG-L46				材质
					校对	准	粉碎室下箱总成				表面要求
标记	更改前	更改后	更改人	日期	审核	日期	信易电热机械股份有限公司 Shini Plastics Technologies, Inc.		物料号		



11	YW64040700100	Non-metal insert hex. lock nut GB/T889.1		4	
10	YW62041000000	Large cross recessed flat head screw JSMI Mx10		4	
9	BR90242750050	Sight glass transparent plate	Acrylic	1	
8	YW03000200000	Movable castor 2"	Assembly	4	
7	YW65005200000	Standard spring washer GB/T93 5	65Mn	16	
6	YW66051000000	Flat washer A grade GB/T97.15-Longzine	14.0HV	16	
5	YW63050800000	Gross recessed pan head screw GB/T4915-Longzine	Longzine	16	
4	YW64000800100	Non-metal insert hex. lock nut GB/T889.1M3		2	
3	YW61081600000	Inner hex. column head screw GB/T70176-6-12.9-Longzine		2	
2	BW20012000140	Handle	Assembly	1	
1	--	Manual storage bin	Assembly welding	1	
No.	Material number	Name	Mat.	Qty.	Remarks

					制图	版号	标题	SG-L46 大工收集型储料箱总成(选配)	图号	比例	数量
					设计	核准				材质	
					校对	核准				表面要求	
标记	更改前	更改后	更改人	日期	审核	日期				物料号	

SHINI 信易电热机械股份有限公司
Shini Plastics Technologies, Inc.